



US00D703958S

(12) **United States Design Patent**  
**Schouten et al.**

(10) **Patent No.:** **US D703,958 S**

(45) **Date of Patent:** **\*\* \*May 6, 2014**

(54) **AUTOMOTIVE CLEANING BRUSH**

D507,407 S \* 7/2005 Woods ..... D4/132  
D521,244 S \* 5/2006 Germany ..... D4/119  
2009/0282634 A1\* 11/2009 Pardini ..... 15/172

(71) Applicant: **Hopkins Manufacturing Corporation**,  
Emporia, KS (US)

FOREIGN PATENT DOCUMENTS

(72) Inventors: **Pieter Schouten**, Berkeley, CA (US);  
**Marcus Gooden**, LomaLinda, CA (US)

CN 201005229 Y \* 1/2008 ..... A46B 5/00  
CN 201223103 Y \* 4/2009 ..... A46B 5/00

(73) Assignee: **Hopkins Manufacturing Corporation**,  
Emporia, KS (US)

\* cited by examiner

(\*) Notice: This patent is subject to a terminal disclaimer.

*Primary Examiner* — Melanie H Tung

*Assistant Examiner* — Lavone D Tabor

(\*\*) Term: **14 Years**

(74) *Attorney, Agent, or Firm* — George R. McGuire; Bond Schoeneck & King, PLLC

(21) Appl. No.: **29/453,089**

(22) Filed: **Apr. 25, 2013**

(51) **LOC (10) Cl.** ..... **04-01**

(52) **U.S. Cl.**

USPC ..... **D4/138; D4/120**

(58) **Field of Classification Search**

USPC ..... D4/105, 106, 118–120, 131–138;  
D7/393, 395, 401.2; D8/82, 83, 107,  
D8/300, 303; 15/106, 114, 143.1, 159.1,  
15/160, 167.2, 167.3, 186–188, 206;  
16/430, DIG. 12, DIG. 19; 81/489, 492;  
D28/20, 21, 25, 28, 30, 31; D30/158,  
D30/159; 132/120, 137, 142, 313

See application file for complete search history.

(56) **References Cited**

U.S. PATENT DOCUMENTS

D441,536 S \* 5/2001 Jackson-MacDonald ..... D4/118  
D474,032 S \* 5/2003 Jorgensen ..... D4/119

(57) **CLAIM**

The ornamental design for an automotive cleaning brush, as shown and described.

**DESCRIPTION**

FIG. 1 is a perspective view of an automotive cleaning brush showing our new design, the bristles on the front and rear ends as well as the bristle support on the front end being shown in broken lines to illustrate portions of the brush that form no part of the claimed design;

FIG. 2 is a front elevation view thereof;

FIG. 3 is a rear elevation view thereof;

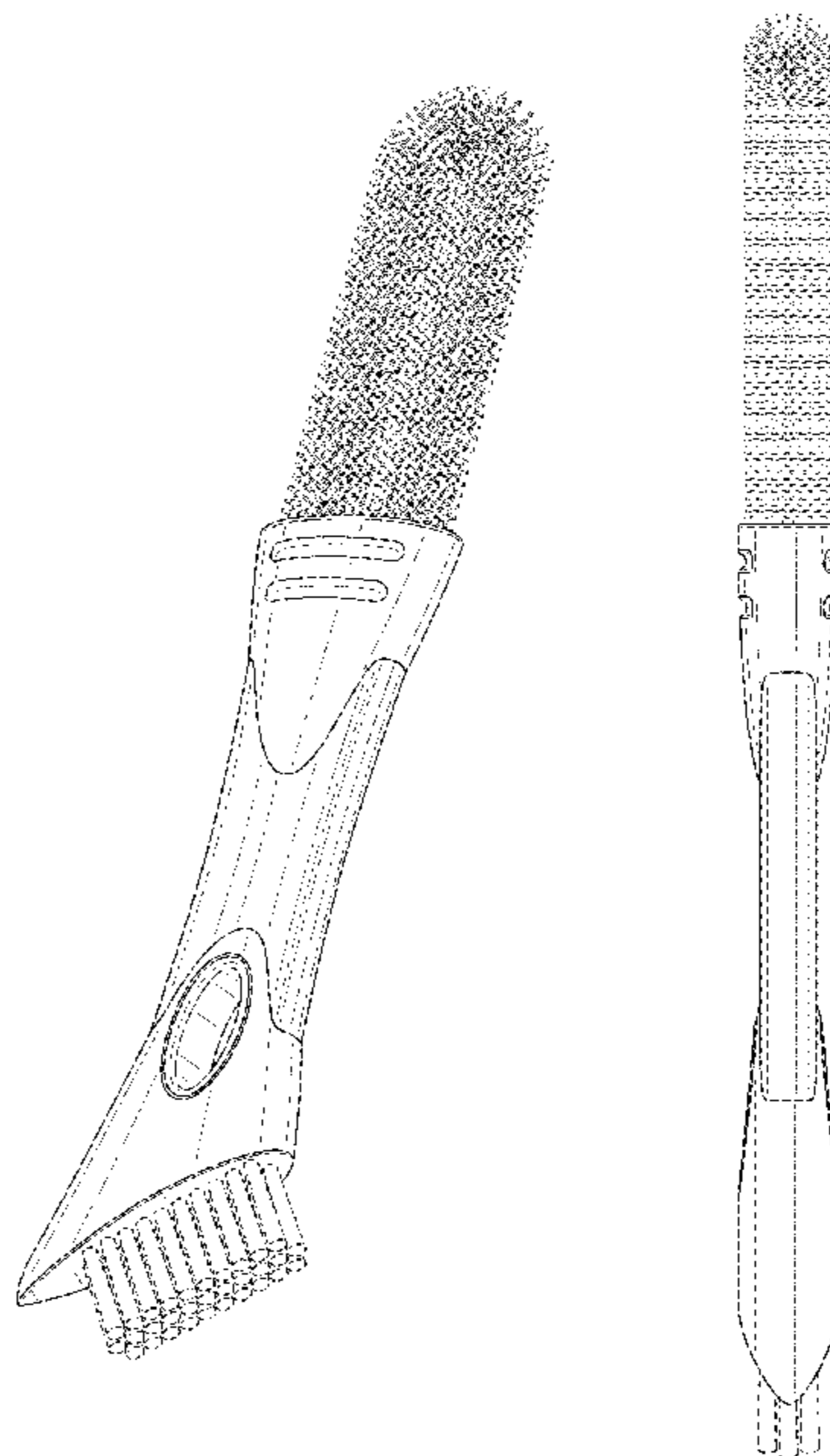
FIG. 4 is a first side elevation view thereof;

FIG. 5 is a second side elevation view thereof;

FIG. 6 is a top plan view thereof; and,

FIG. 7 is a bottom plan view thereof.

**1 Claim, 7 Drawing Sheets**



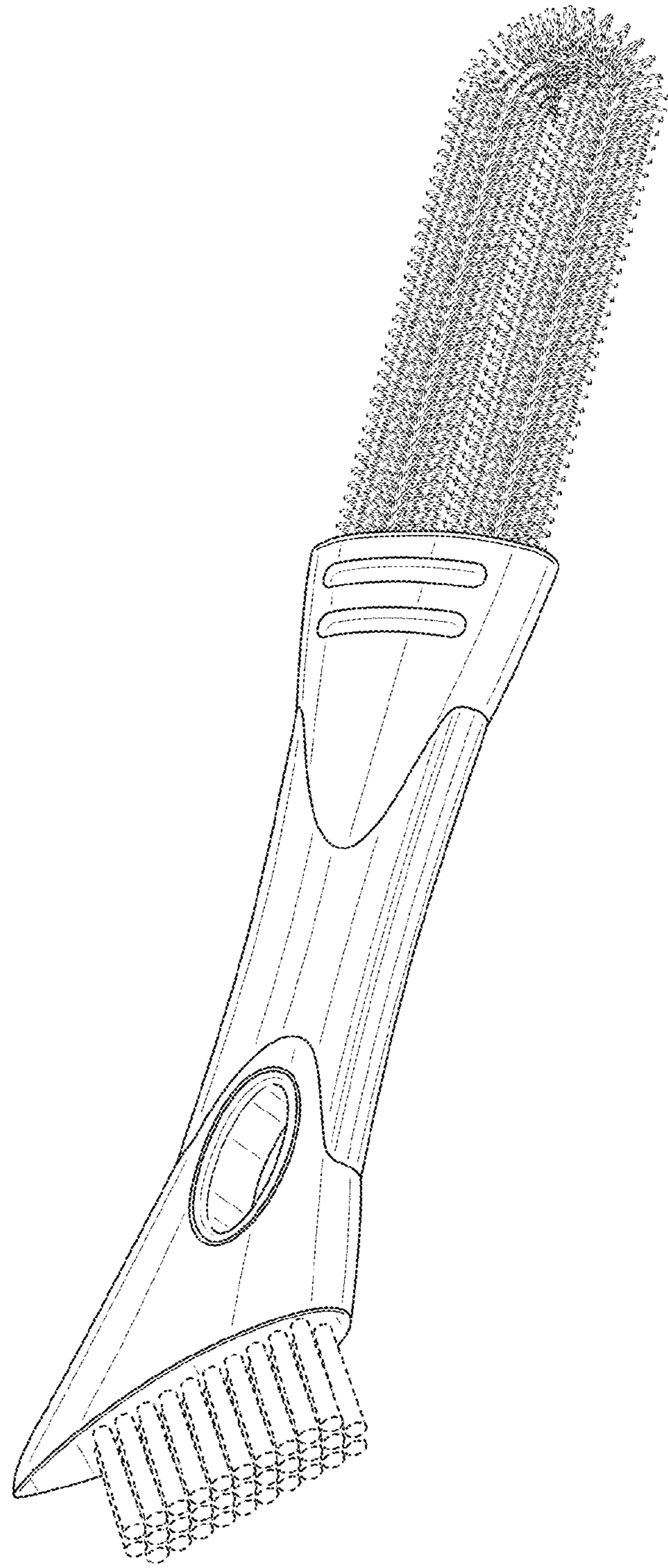


FIG. 1

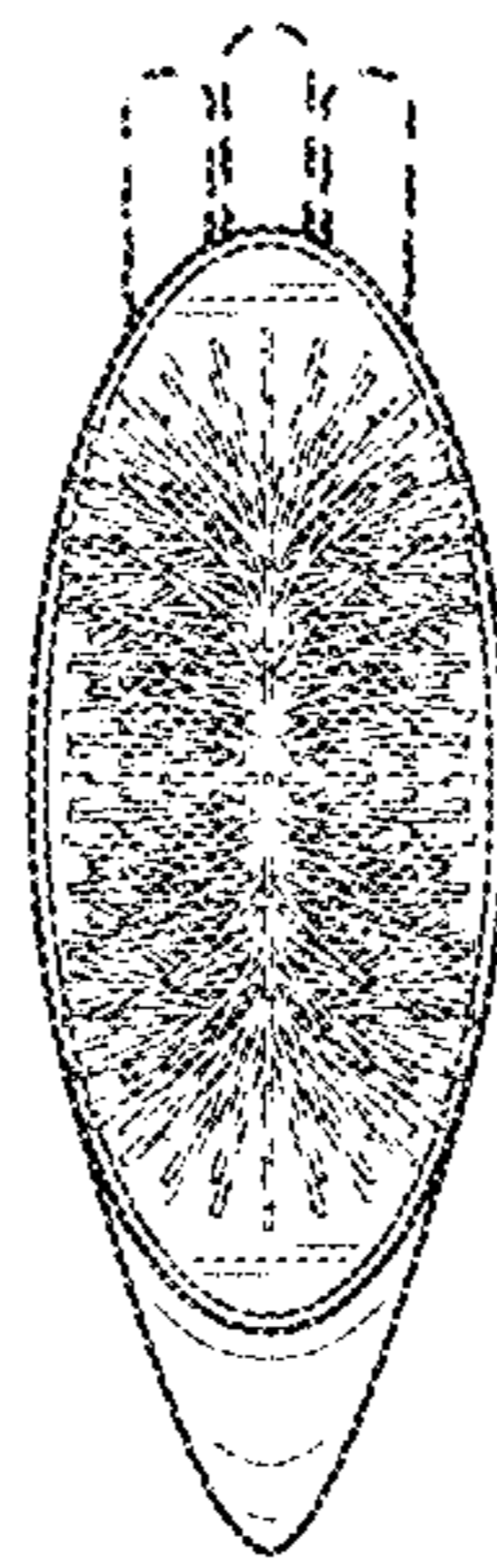


FIG. 2

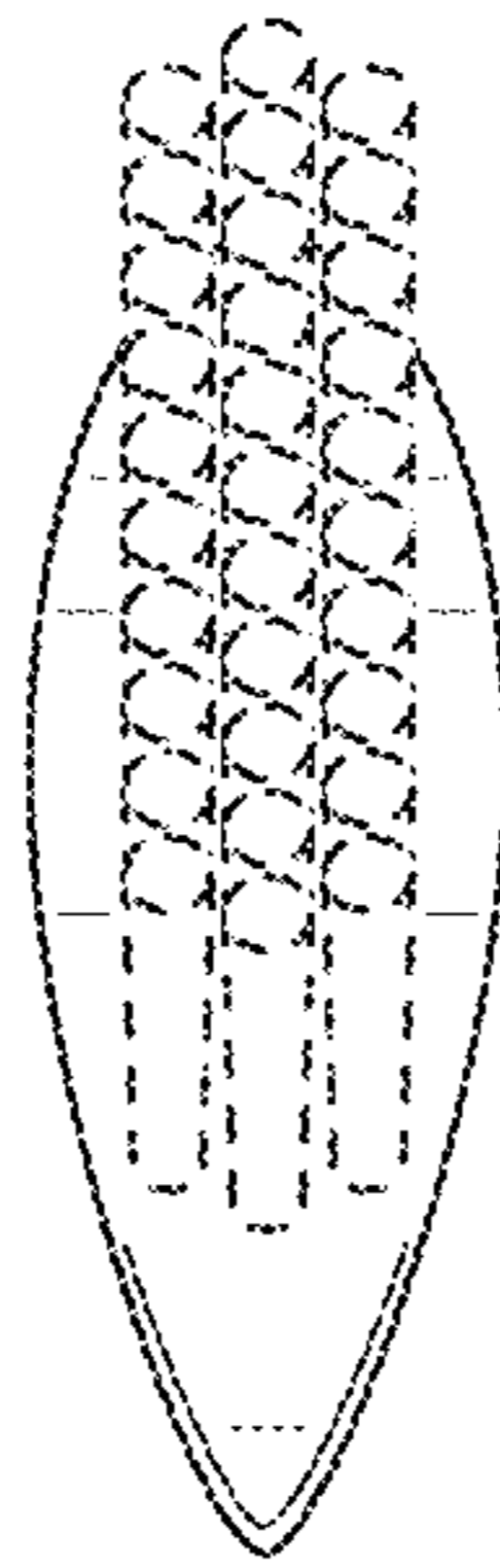


FIG. 3

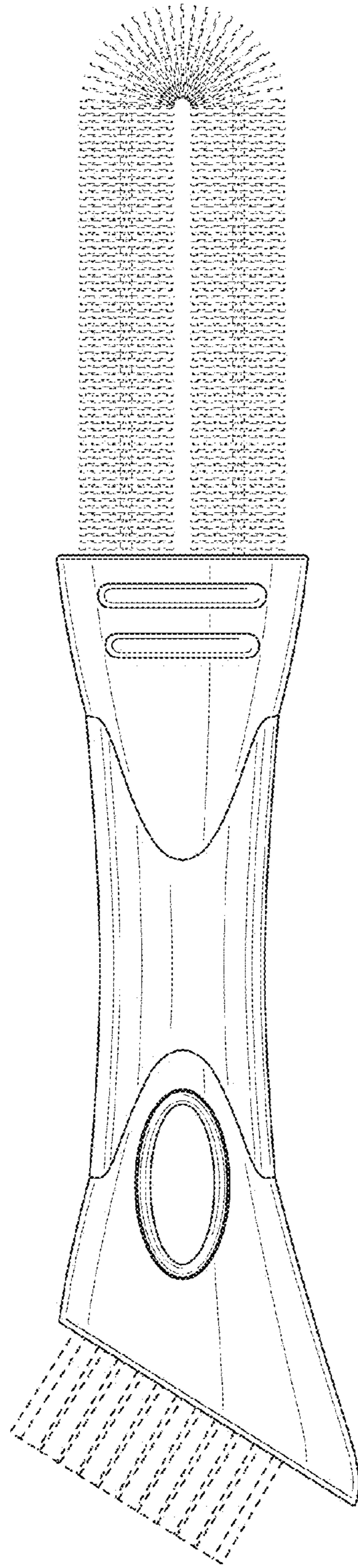


FIG. 4

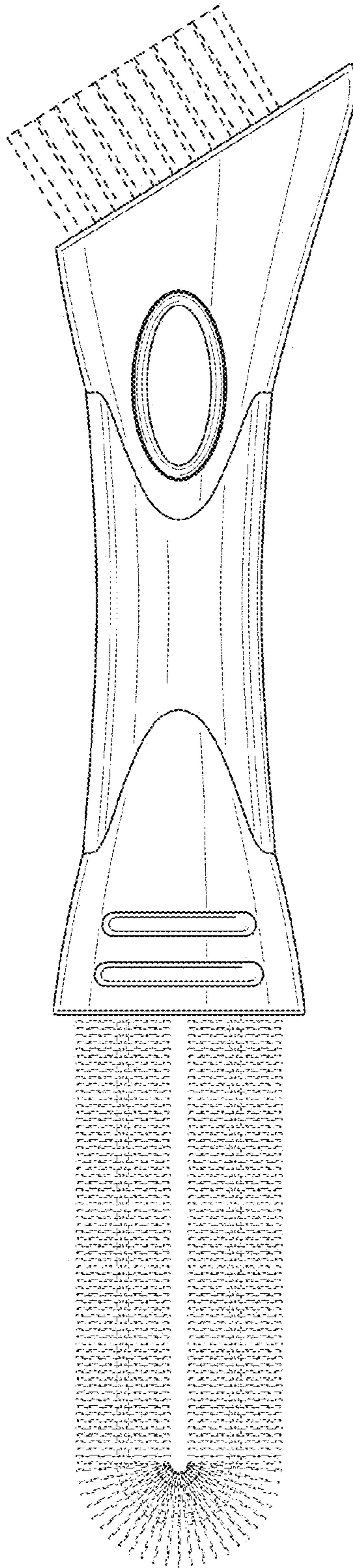


FIG. 5

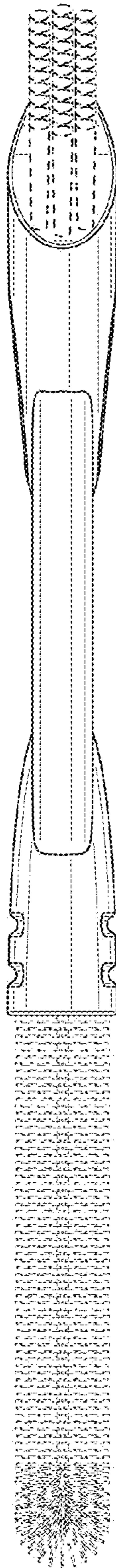


FIG. 6

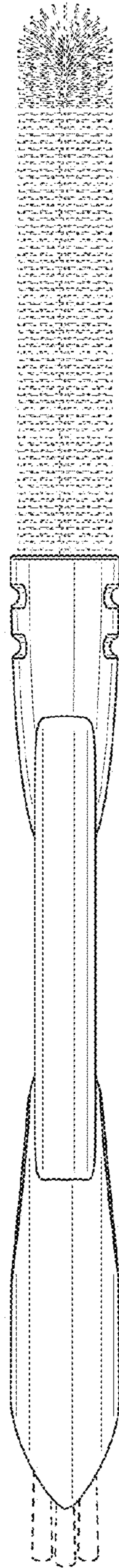


FIG. 7