



US00D703957S

(12) **United States Design Patent**
Parsons

(10) **Patent No.:** **US D703,957 S**

(45) **Date of Patent:** **** May 6, 2014**

(54) **BATHING DEVICE WITH FINGER GRIP**

(71) Applicant: **Sean Parsons**, Colonial Heights, VA
(US)

(72) Inventor: **Sean Parsons**, Colonial Heights, VA
(US)

(**) Term: **14 Years**

(21) Appl. No.: **29/468,661**

(22) Filed: **Oct. 2, 2013**

(51) **LOC (10) Cl.** **04-01**

(52) **U.S. Cl.**
USPC **D4/120; D4/129; D28/63**

(58) **Field of Classification Search**
USPC D4/119, 120, 129, 137; D28/7, 28;
D32/35, 40, 42, 50, 52; 15/104.93,
15/104.94, 114, 208, 209.1, 210.1, 219,
15/220.1, 220.3, 226, 229.1, 229.11,
15/229.13; 401/8; 601/136-138
See application file for complete search history.

(56) **References Cited**

U.S. PATENT DOCUMENTS

763,888 A * 6/1904 Hayden 15/220.1
D169,673 S * 5/1953 Horton D4/129
2,770,071 A * 11/1956 Endres et al. 401/8

4,859,102 A * 8/1989 Chamieh 401/17
D324,455 S * 3/1992 Fasitta et al. D4/104
5,715,560 A * 2/1998 Banicki 15/229.11
6,092,258 A * 7/2000 Chen 15/209.1
6,195,829 B1 * 3/2001 Chen 15/110
D554,816 S * 11/2007 Lee et al. D28/63

FOREIGN PATENT DOCUMENTS

JP 1218933 S * 10/2004

* cited by examiner

Primary Examiner — Melanie H Tung

Assistant Examiner — Lavone D Tabor

(74) *Attorney, Agent, or Firm* — Dale J. Ream

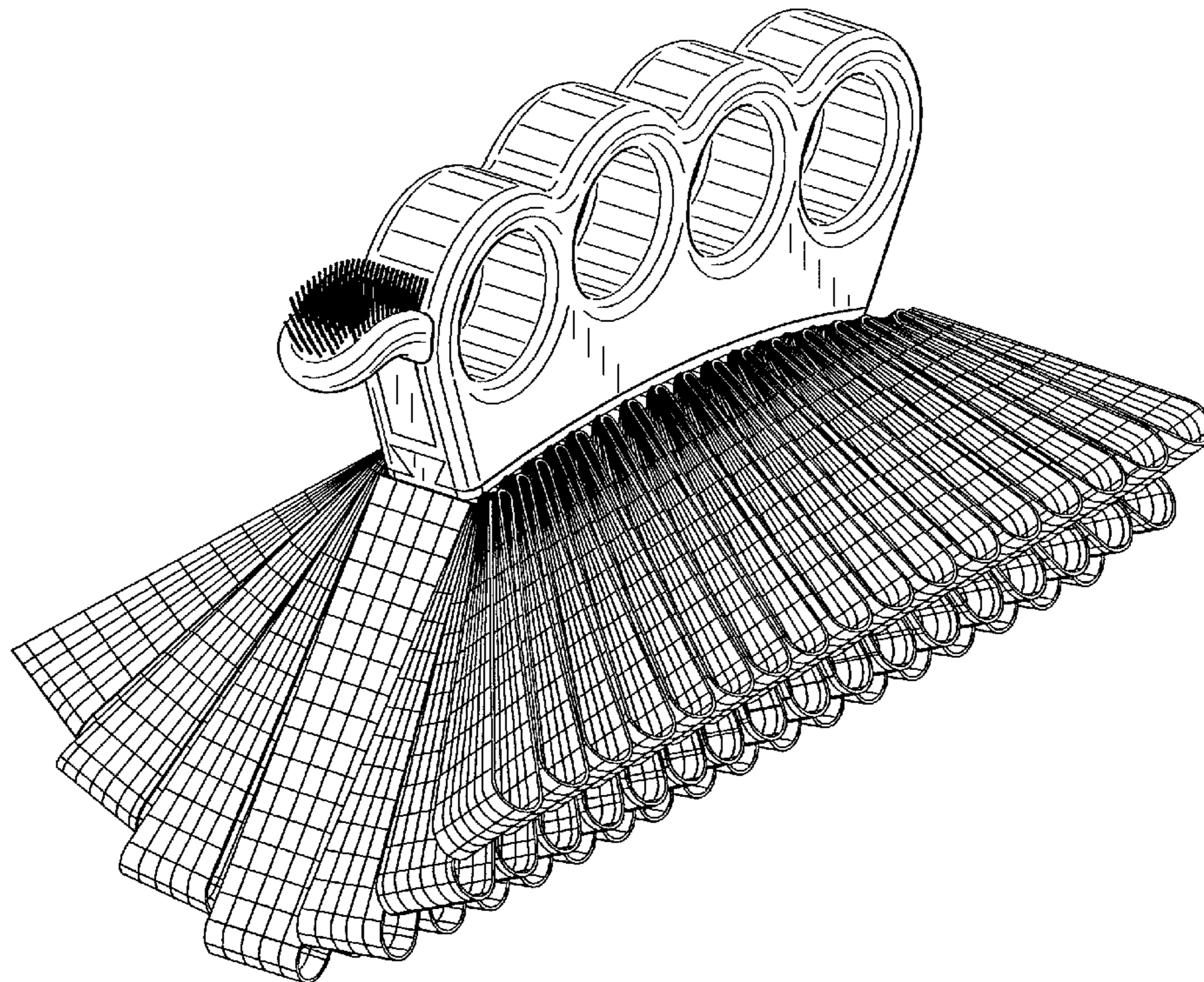
(57) **CLAIM**

The ornamental design for a bathing device with finger grip, as shown and described.

DESCRIPTION

FIG. 1 is a perspective view of a bathing device with finger grip showing my new design;
FIG. 2 is a front view thereof
FIG. 3 is a back view thereof;
FIG. 4 is a right side view thereof;
FIG. 5 is a left side view thereof;
FIG. 6 is a top view thereof; and,
FIG. 7 is a bottom view thereof.

1 Claim, 5 Drawing Sheets



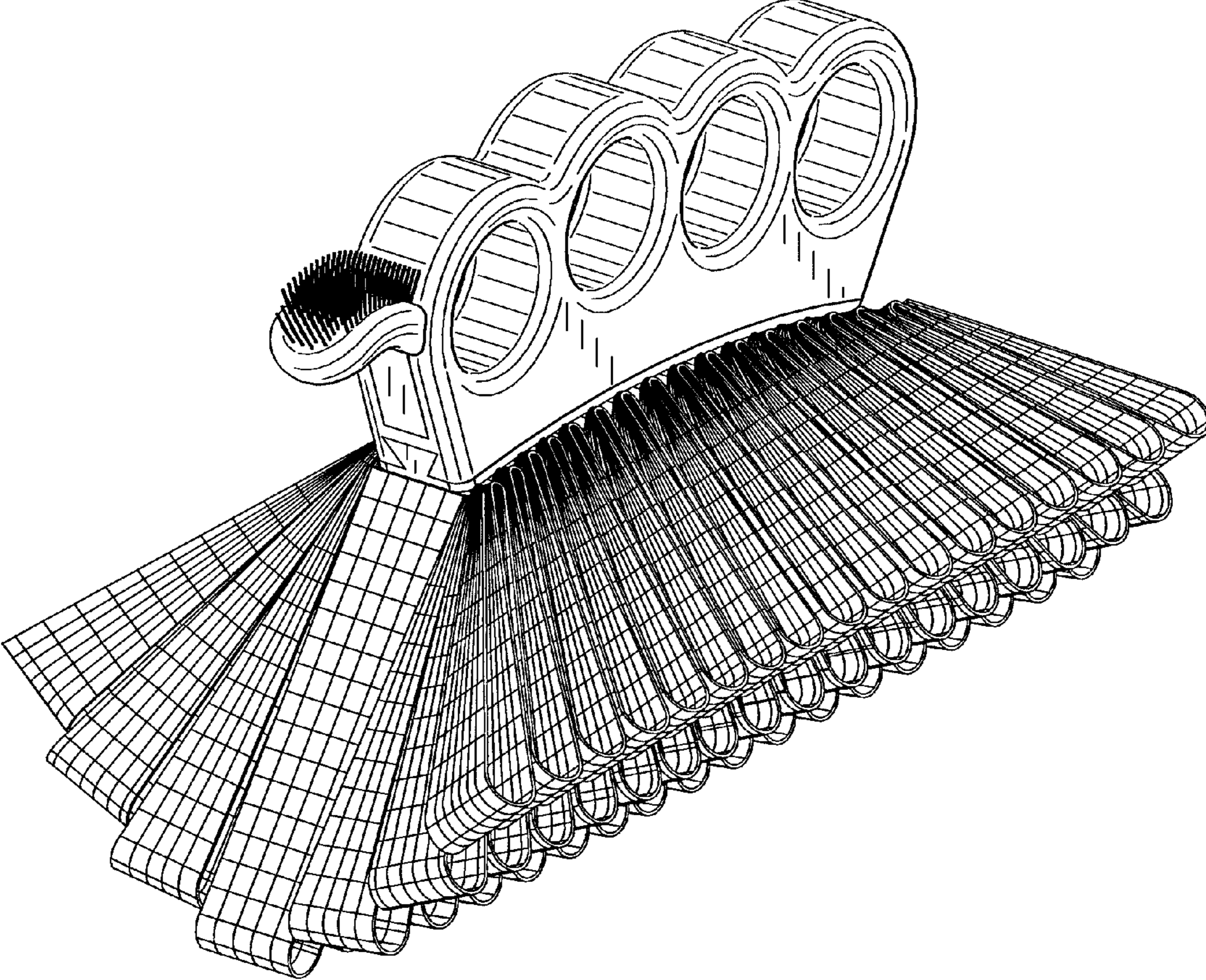


FIG. 1

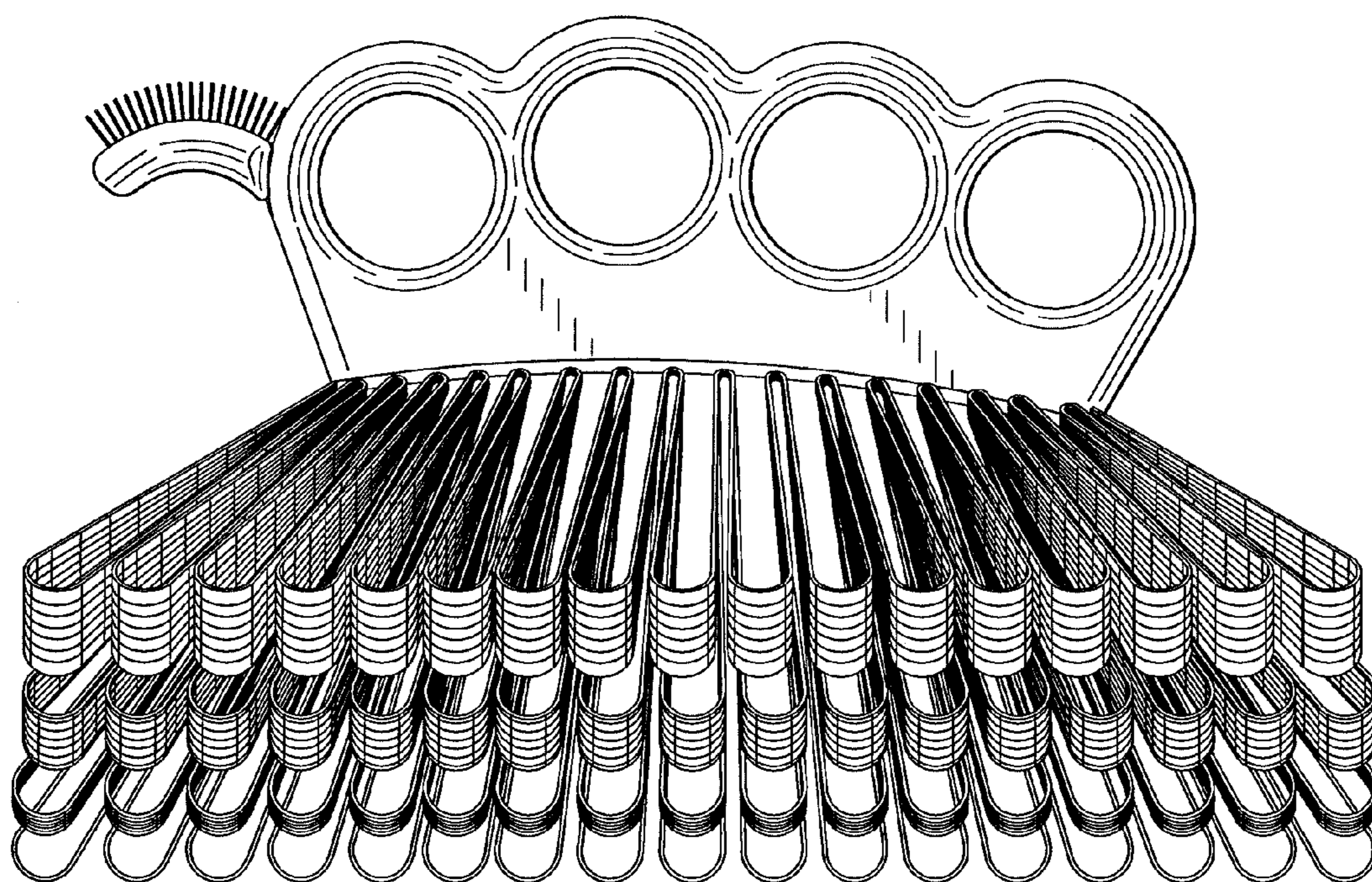


FIG. 2

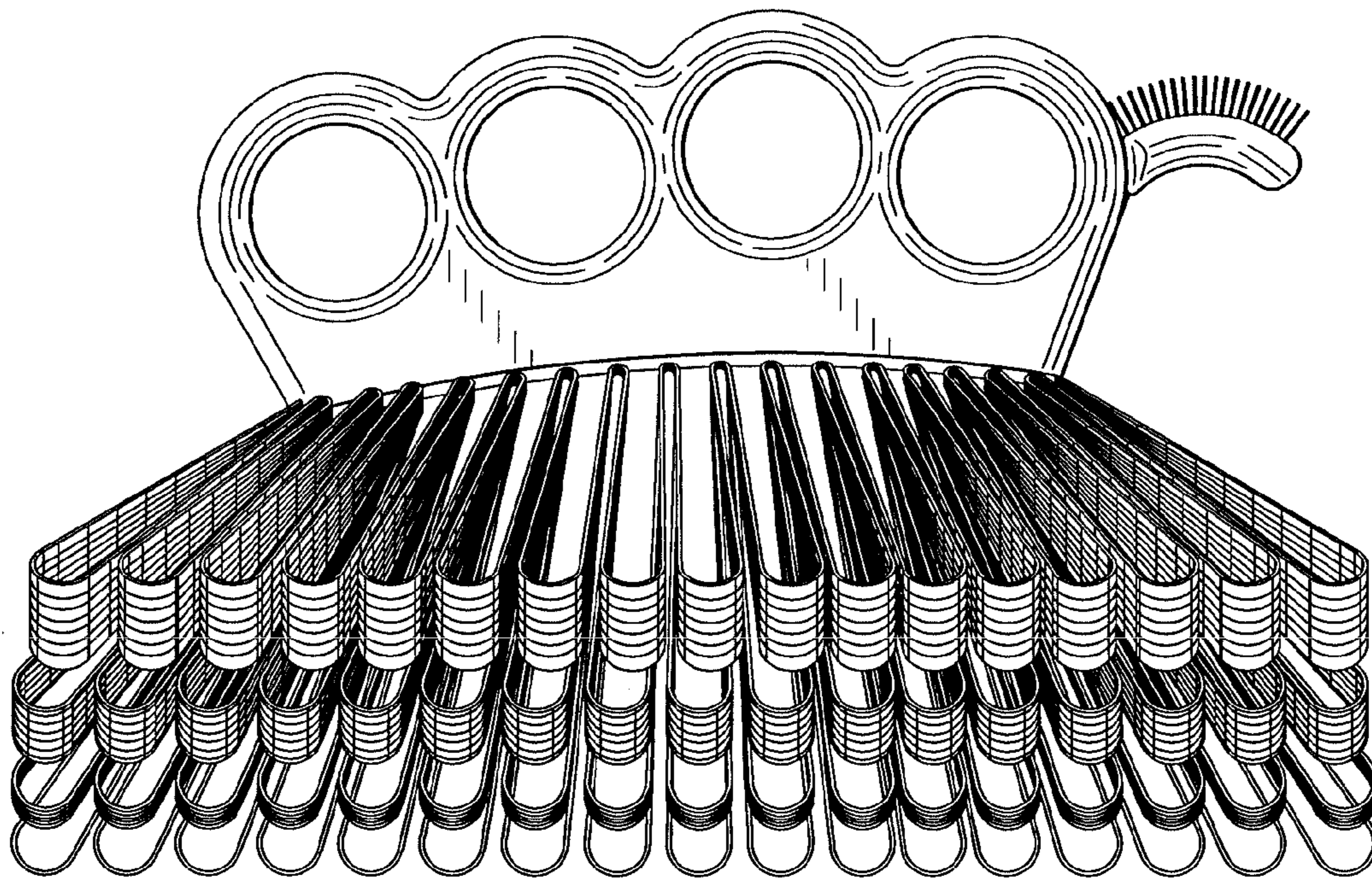


FIG. 3

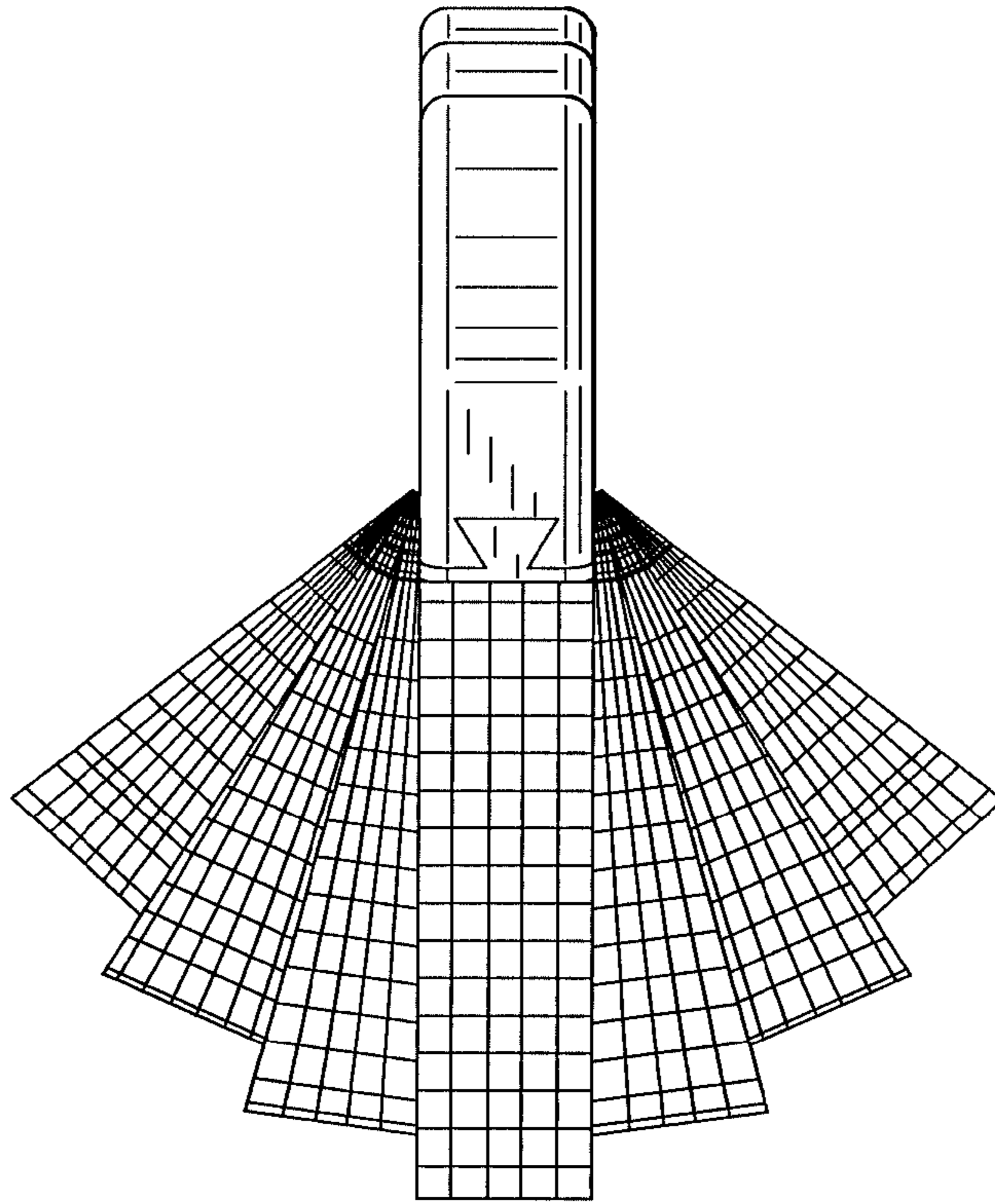


FIG. 4

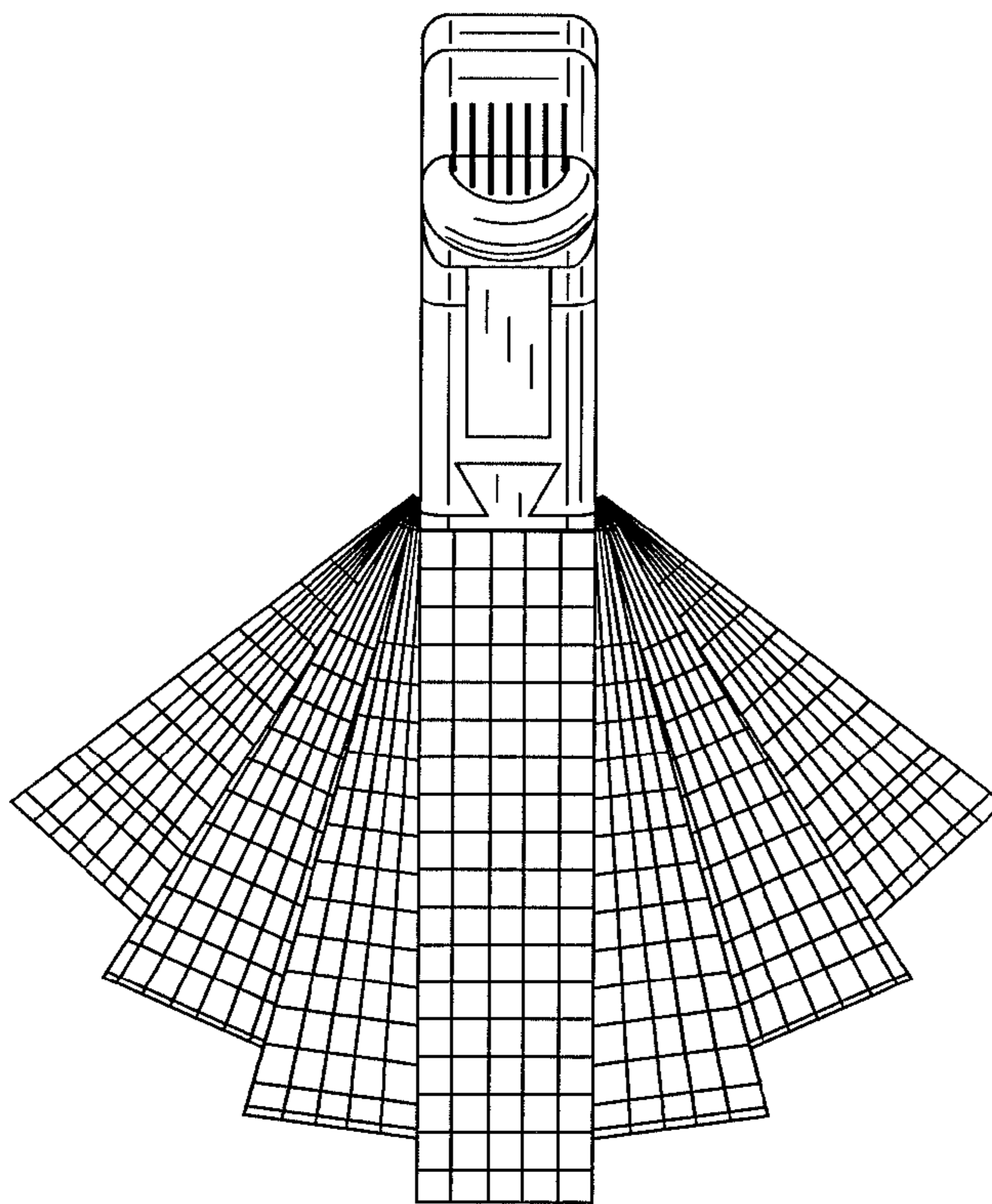


FIG. 5

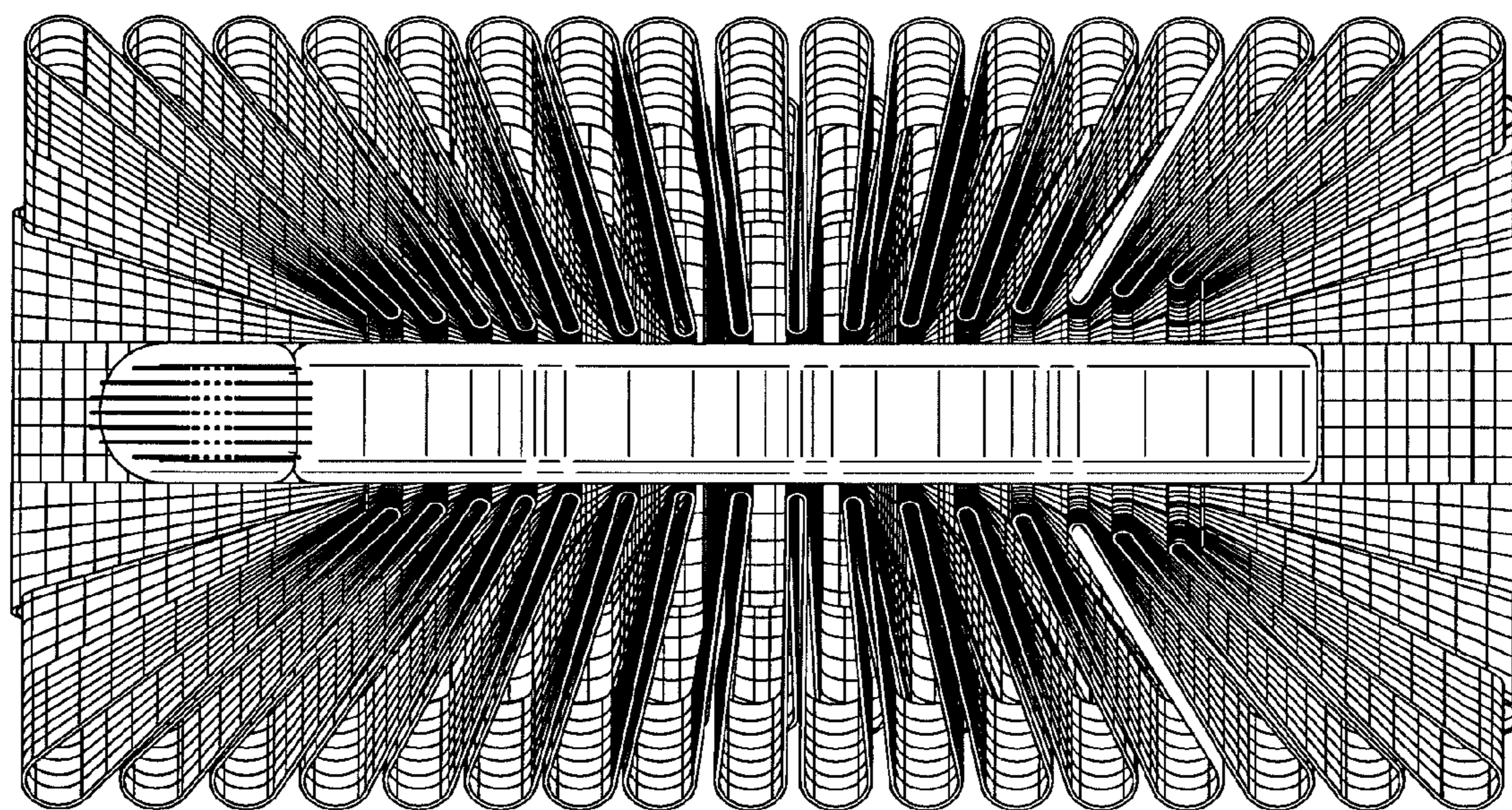


FIG. 6

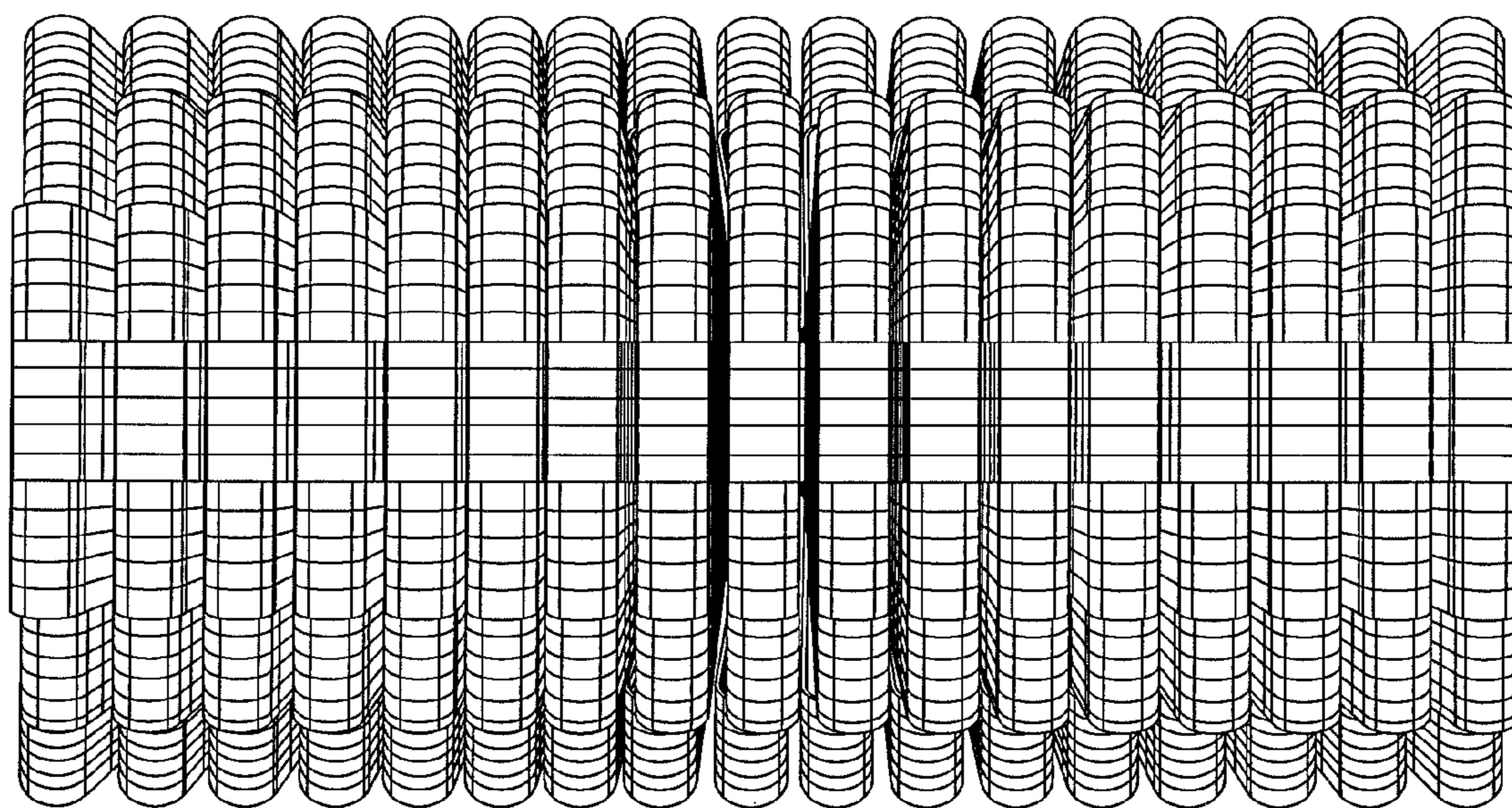


FIG. 7