



US00D703956S

(12) **United States Design Patent**  
**Treeby et al.**

(10) **Patent No.:** **US D703,956 S**  
(45) **Date of Patent:** **\*\* May 6, 2014**

(54) **HAIRBRUSH AND COVER COMBINATION**

D286,952 S \* 12/1986 Leroux ..... D4/136  
D295,118 S \* 4/1988 Valenza ..... D4/114  
D576,804 S \* 9/2008 Pulfrey ..... D4/130

(75) Inventors: **Cameron Bruce William Treeby**,  
London (GB); **Julian Lesley Meagher**,  
London (GB)

**FOREIGN PATENT DOCUMENTS**

(73) Assignee: **Tangle Teezer Limited**, London (GB)

JP 1388016 S \* 5/2010  
KR 30-0472268 S \* 12/2007  
KR 30-0562364 S \* 6/2010

(\*\*) Term: **14 Years**

\* cited by examiner

(21) Appl. No.: **29/367,167**

*Primary Examiner* — Melanie H Tung

(22) Filed: **Aug. 4, 2010**

*Assistant Examiner* — Lavone D Tabor

(30) **Foreign Application Priority Data**

(74) *Attorney, Agent, or Firm* — Fleit Gibbons Gutman  
Bongini & Bianco PL; Paul D. Bianco; Gary Weiner

Feb. 5, 2010 (EM) ..... 001194799-0001

(51) **LOC (10) Cl.** ..... **04-02**

(57) **CLAIM**

(52) **U.S. Cl.**

The ornamental design for a hairbrush and cover combination, as shown and described.

USPC ..... **D4/116**; D4/130; D4/138

(58) **Field of Classification Search**

**DESCRIPTION**

USPC ..... D4/116, 121, 130, 136, 199, 138;  
15/143.1, 159.1, 160, 186-188;  
119/600, 612, 615, 625, 632, 652, 664;  
132/120, 121, 137, 142, 161, 313  
See application file for complete search history.

FIG. 1 is a front perspective view of a hairbrush and cover combination showing our new design;  
FIG. 2 is a bottom view thereof;  
FIG. 3 is a side view thereof, the opposite side being identical;  
FIG. 4 is a rear view thereof;  
FIG. 5 is a top view thereof;  
FIG. 6 is an exploded perspective view thereof; and,  
FIG. 7 is a bottom view of the hairbrush shown separately for clarity of illustration only.

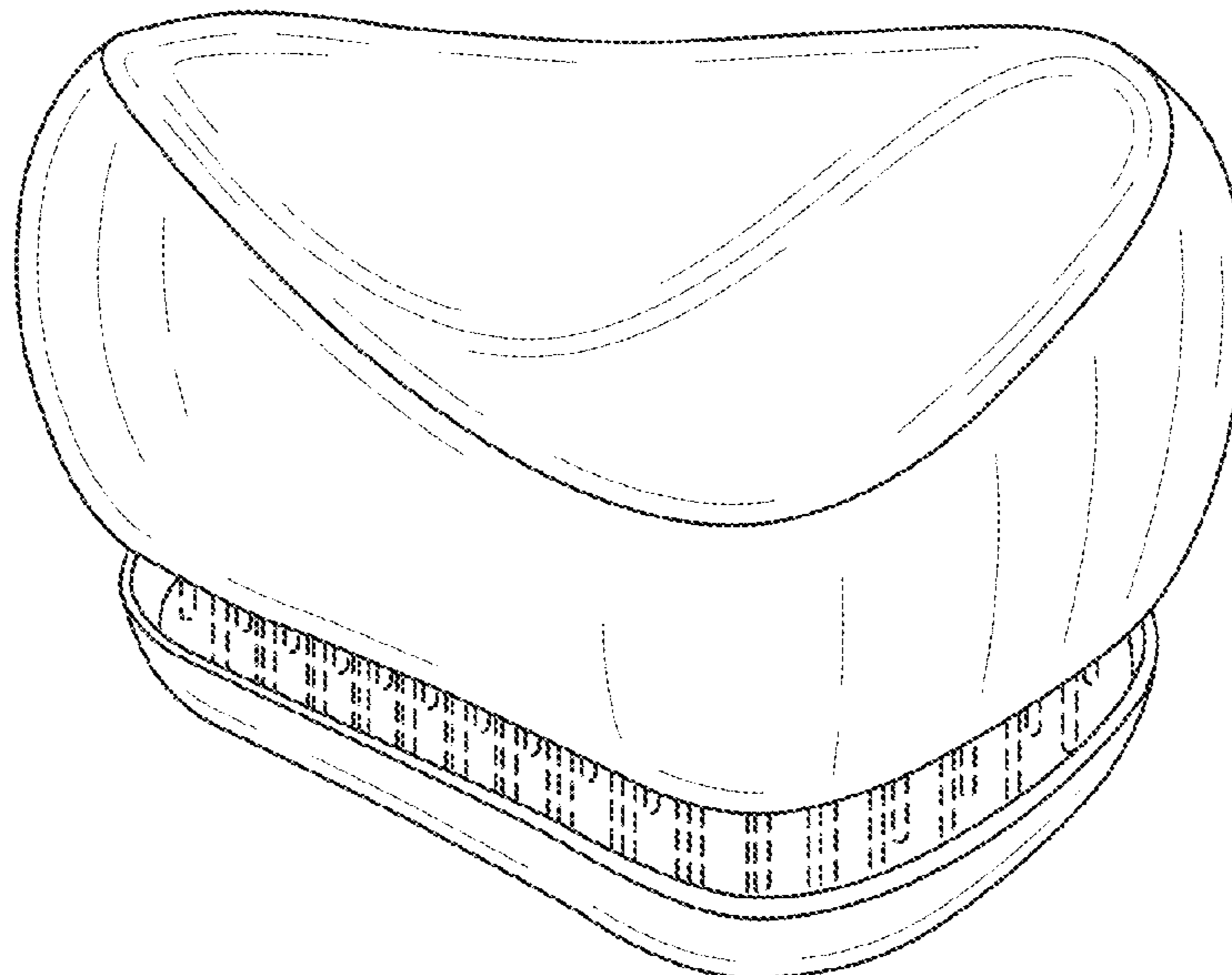
(56) **References Cited**

**U.S. PATENT DOCUMENTS**

D26,154 S \* 10/1896 Hawkins ..... D4/130  
1,375,681 A \* 4/1921 Dennin ..... 132/313  
2,051,009 A \* 8/1936 Porter ..... 15/184  
D115,967 S \* 8/1939 Müller-Munk ..... D4/130  
2,611,916 A \* 9/1952 Peters ..... 15/184  
3,967,338 A \* 7/1976 Russell ..... 15/185

The features illustrated in broken lines form no part of the claimed design.

**1 Claim, 4 Drawing Sheets**



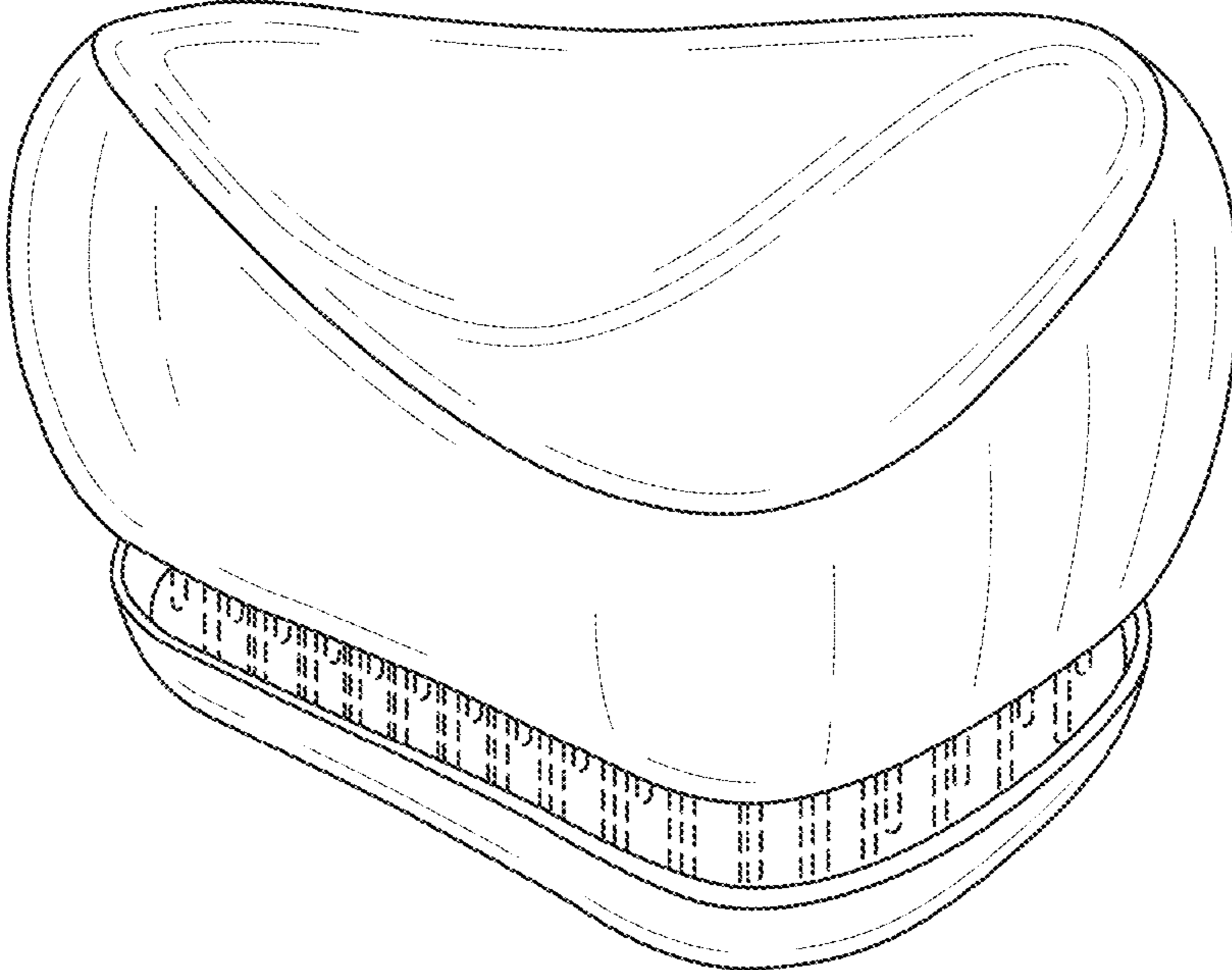


FIG. 1

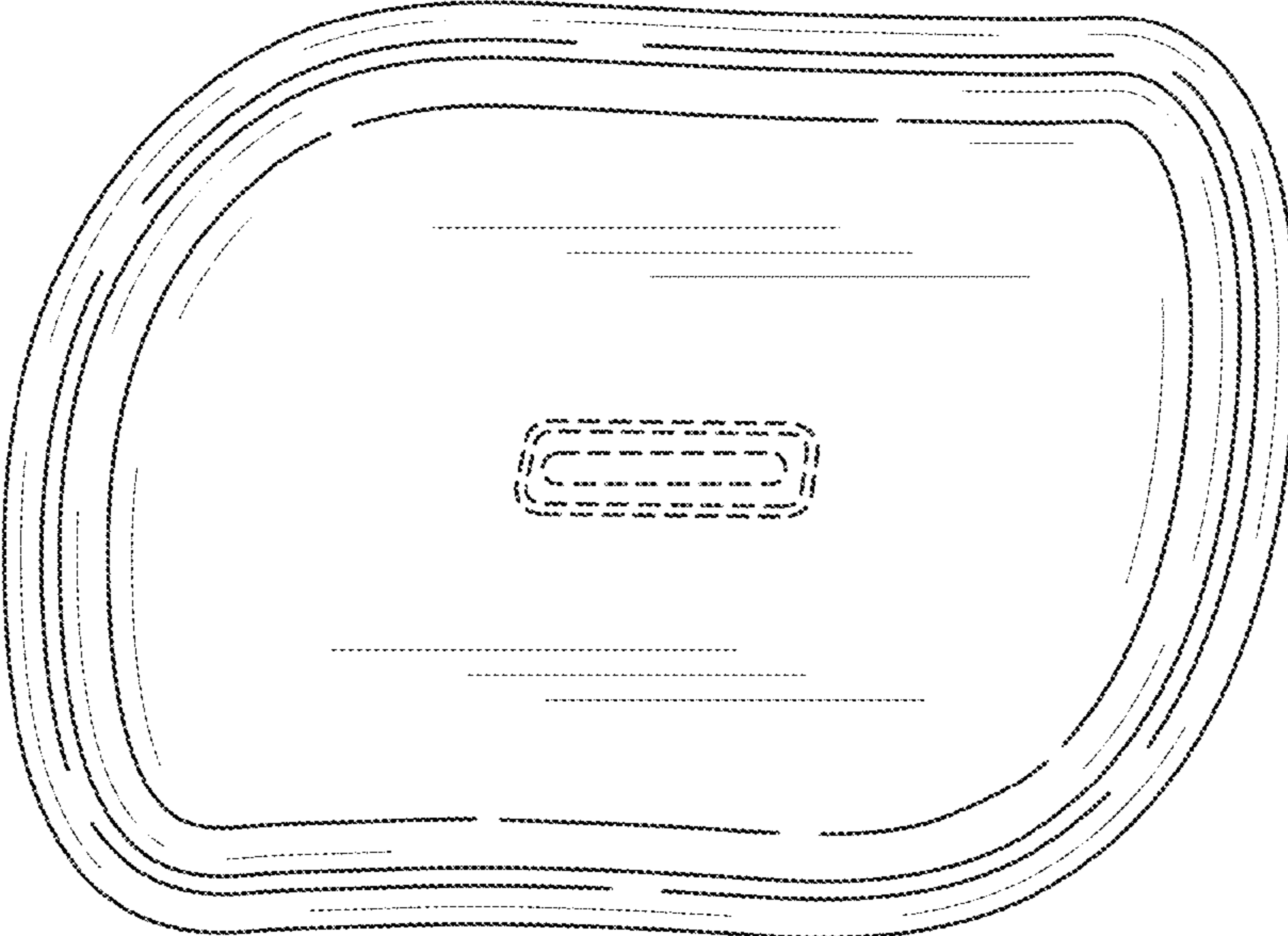
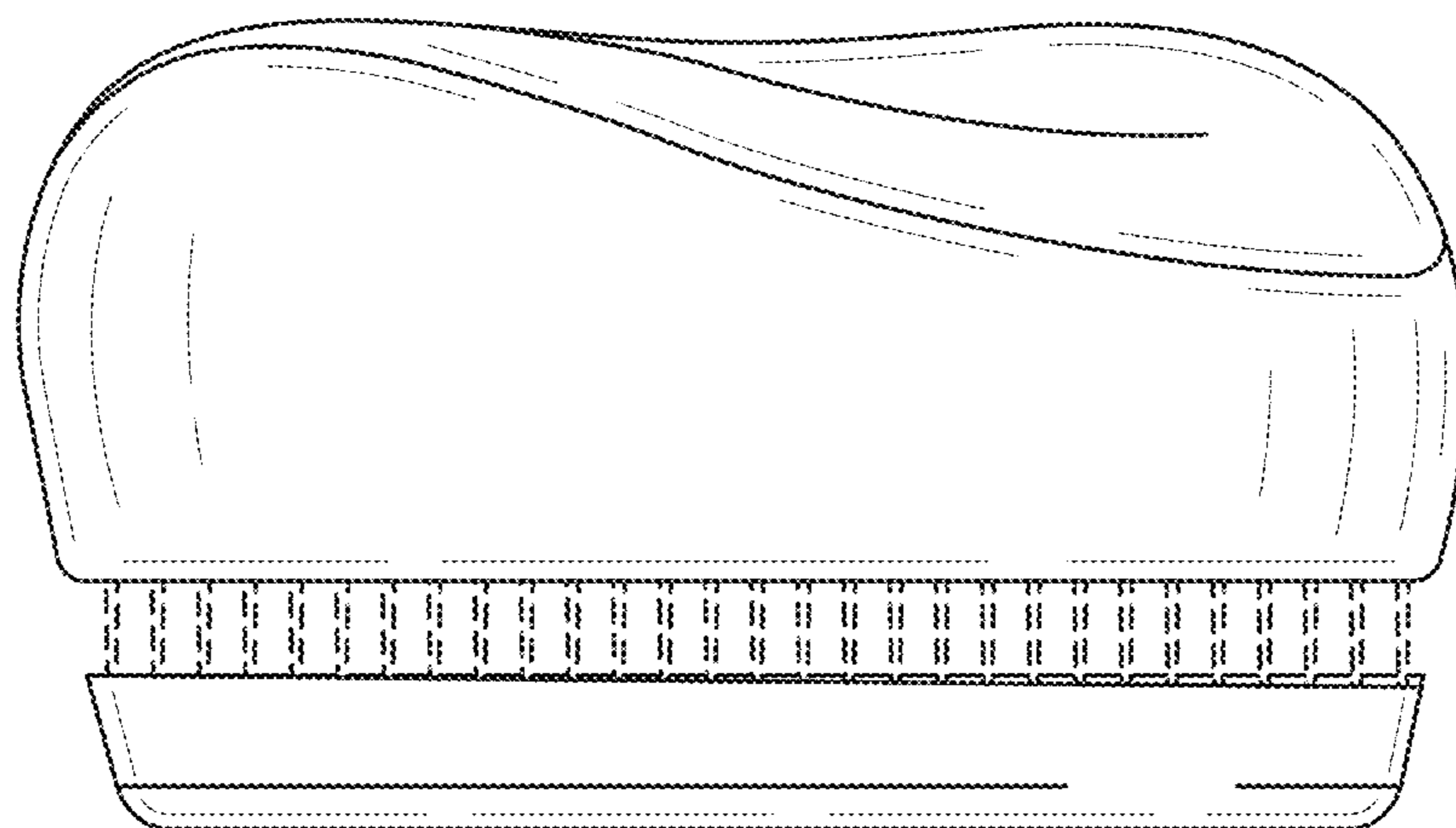
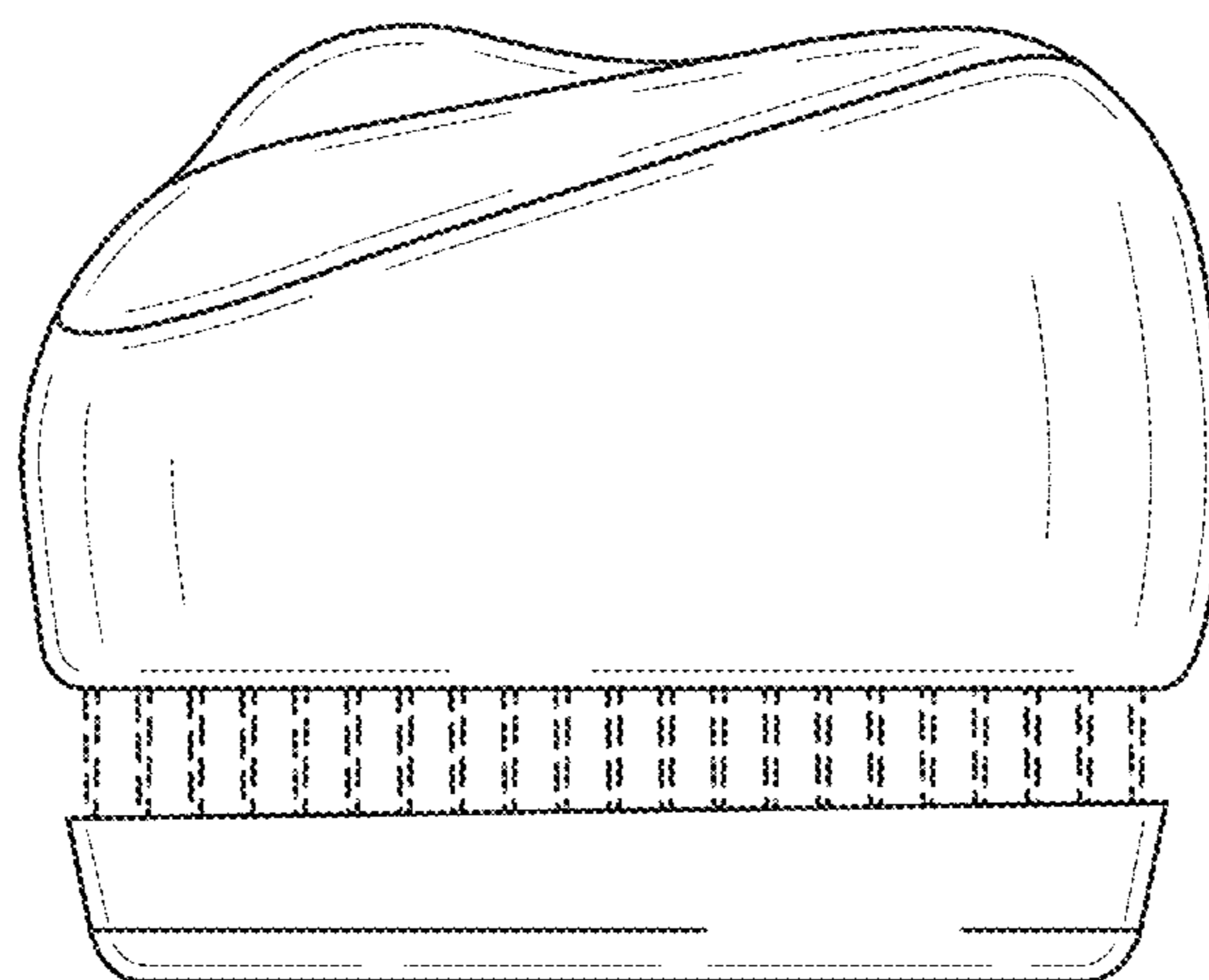


FIG. 2



**FIG. 3**



**FIG. 4**

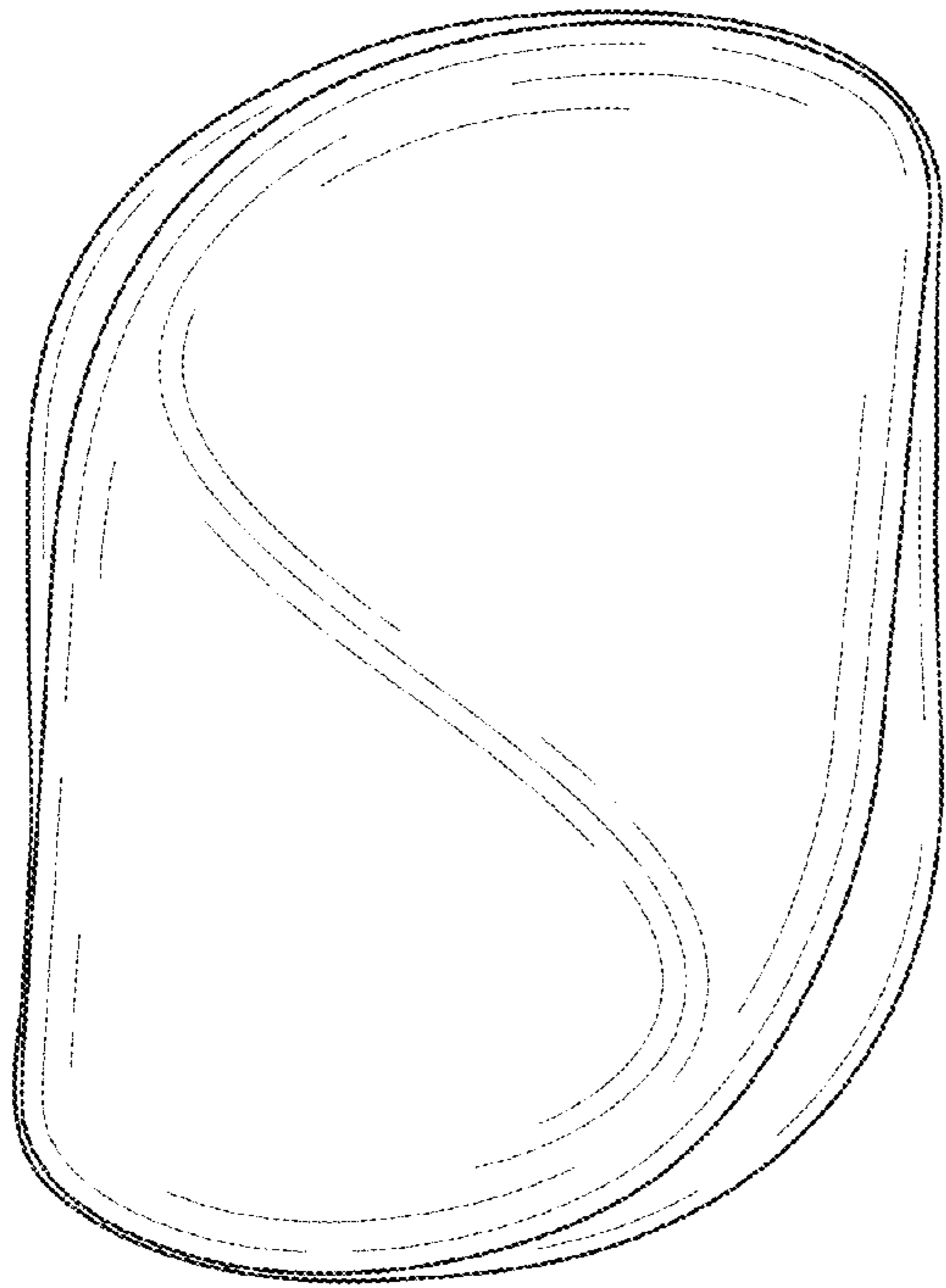


FIG. 5

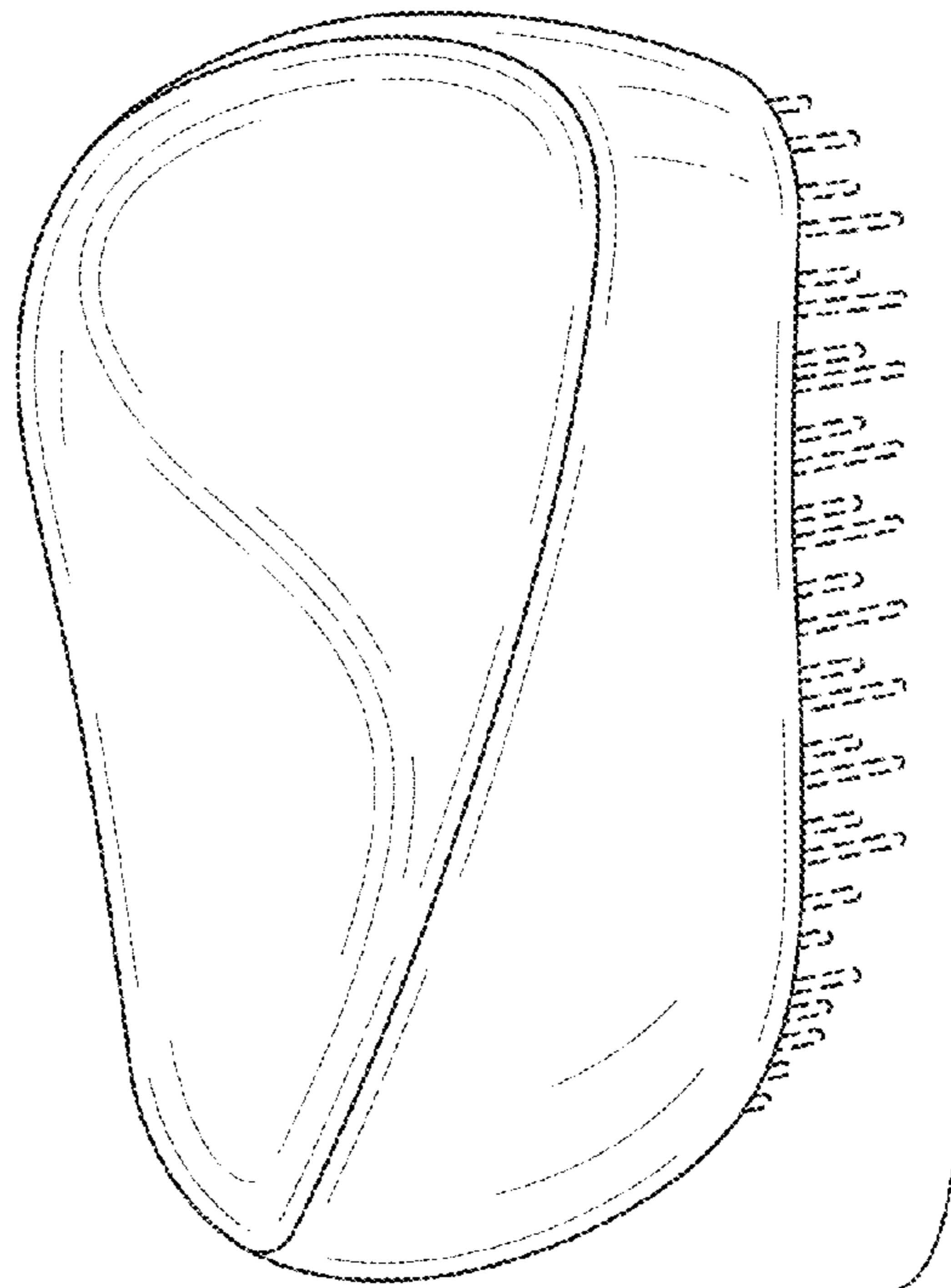
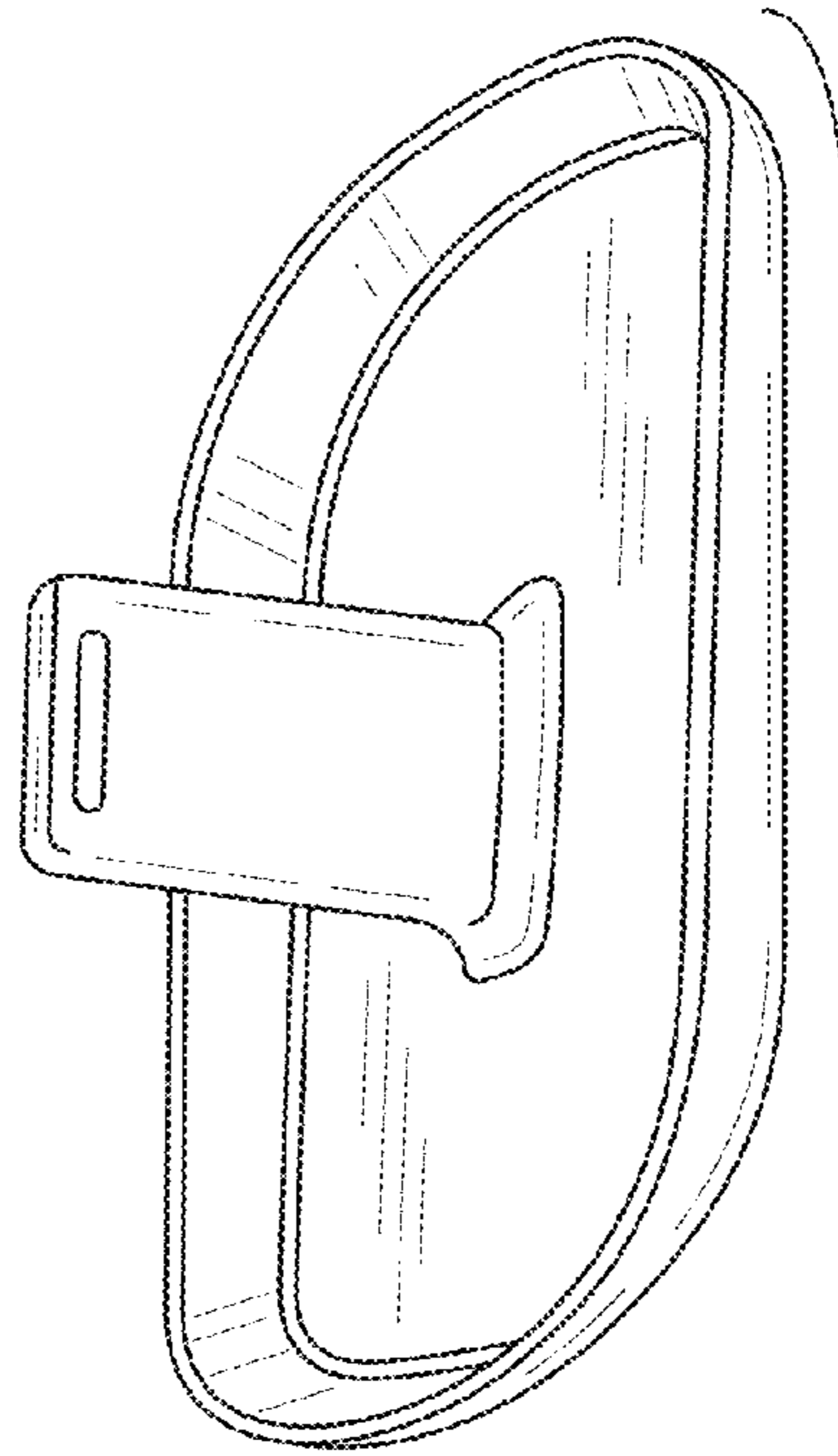
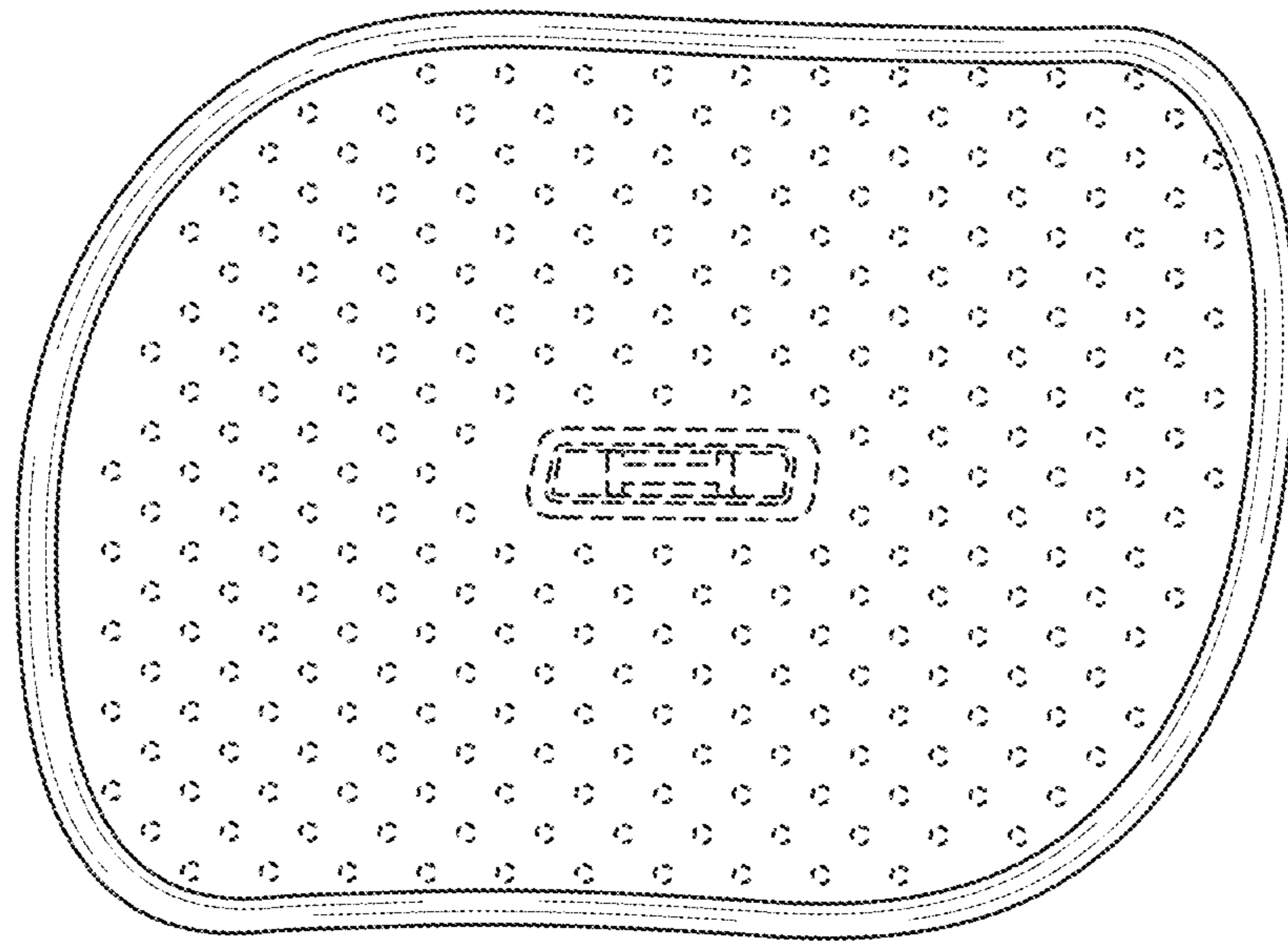


FIG. 6





**FIG. 7**