



US00D703954S

(12) **United States Design Patent**  
**Zizka**

(10) **Patent No.:** **US D703,954 S**

(45) **Date of Patent:** **\*\* May 6, 2014**

(54) **BAG ORGANIZER**

(76) Inventor: **Julie Zizka**, Del Mar, CA (US)

(\*\*) Term: **14 Years**

(21) Appl. No.: **29/386,969**

(22) Filed: **Mar. 7, 2011**

(51) **LOC (10) Cl.** ..... **03-01**

(52) **U.S. Cl.**  
USPC ..... **D3/299**

(58) **Field of Classification Search**  
USPC ..... D3/249–253, 303, 290, 299, 274, 232,  
D3/301, 233, 240–246; 150/131–132, 137,  
150/138, 143; D19/32–33, 26, 27; 190/109;  
260/425, 450, 472–473

See application file for complete search history.

(56) **References Cited**

**U.S. PATENT DOCUMENTS**

D188,525 S *	8/1960	Seitz .....	D3/250
D314,213 S *	1/1991	Bishop .....	D3/203.1
D319,729 S *	9/1991	Kogutt .....	D3/299
D322,628 S *	12/1991	Young .....	D19/26
D322,987 S *	1/1992	Testro et al. ....	D19/26
D333,384 S *	2/1993	Brogdon .....	D3/289
D359,507 S *	6/1995	Schmidt .....	D19/26
5,445,251 A *	8/1995	Redwood .....	190/109
D374,037 S *	9/1996	Wyant et al. ....	D19/26
D393,871 S *	4/1998	Hodes .....	D19/26
D396,489 S *	7/1998	Siemon et al. ....	D19/26
D429,497 S *	8/2000	Wyant .....	D19/26
D434,797 S *	12/2000	Meyerhoff .....	D19/27

D461,632 S *	8/2002	Wong .....	D3/246
D462,987 S *	9/2002	Ruscetta et al. ....	D19/26
D465,087 S *	11/2002	Shapiro .....	D3/303
D475,526 S *	6/2003	Gillespie et al. ....	D3/247
D545,362 S *	6/2007	King et al. ....	D19/20
D560,718 S *	1/2008	King et al. ....	D19/20
D580,652 S *	11/2008	Cannavo .....	D3/243
D629,203 S *	12/2010	Sayre .....	D3/299
D646,892 S *	10/2011	Littleton .....	D3/299
D650,583 S *	12/2011	Muniz .....	D3/274

\* cited by examiner

*Primary Examiner* — Sheryl Lane

(57) **CLAIM**

I claim, the ornamental design for a bag organizer, as shown and described.

**DESCRIPTION**

FIG. 1 is a perspective view of the bag organizer shown in a closed orientation with handles of the plastic bags extended from the interior of the bag organizer.

FIG. 2 is a front elevation view of the bag organizer.

FIG. 3 is a top overhead view of the bag organizer.

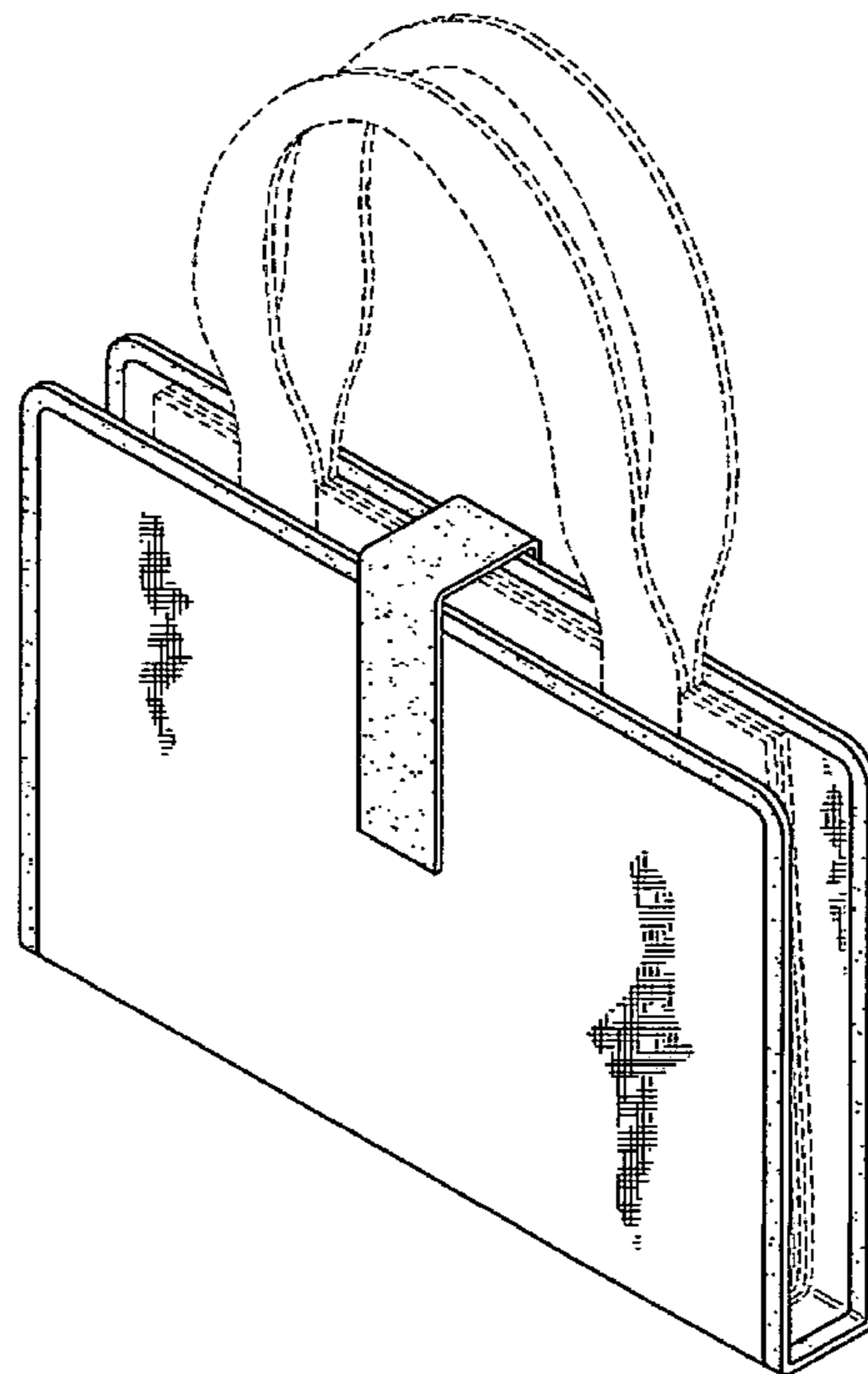
FIG. 4 is a side elevation view of the bag organizer.

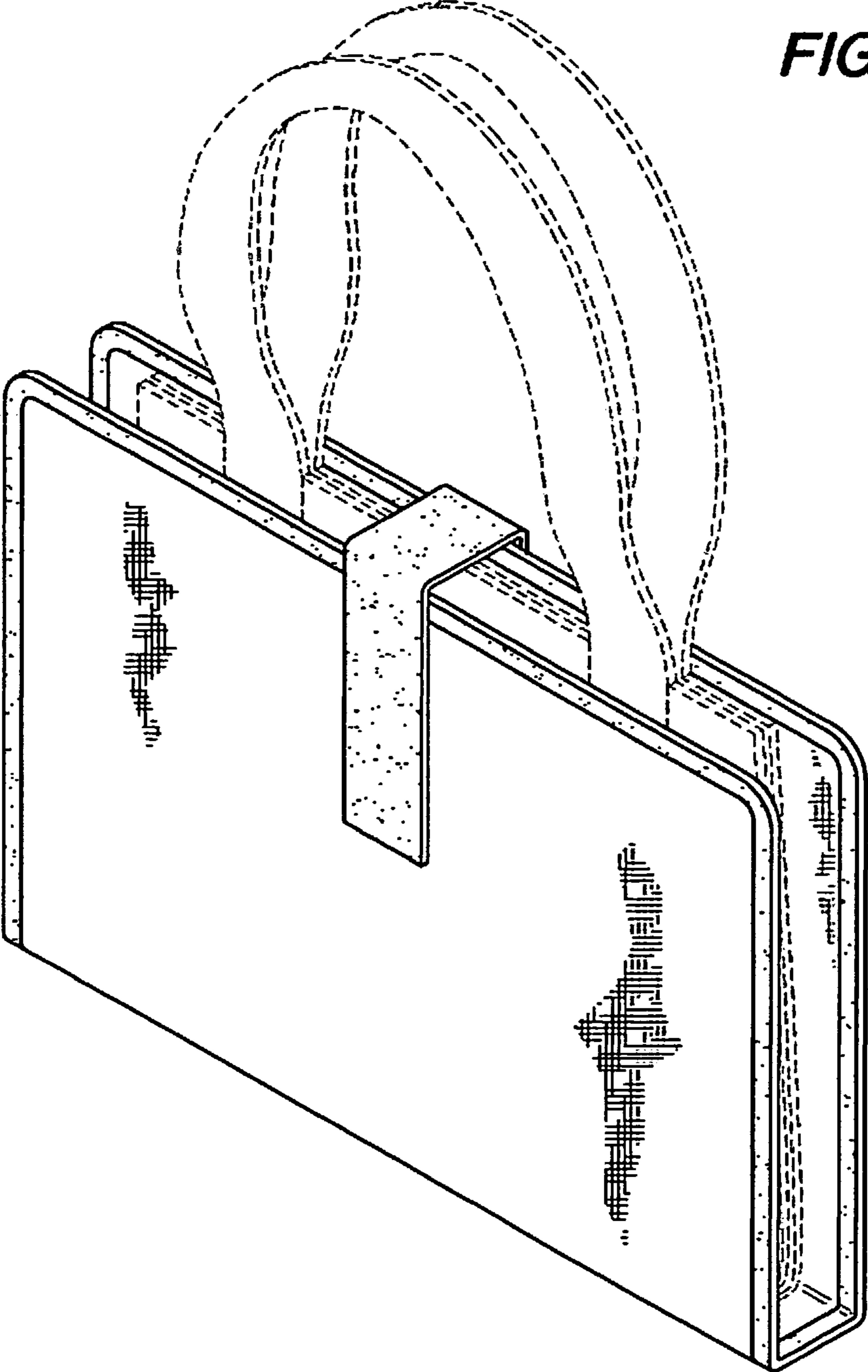
FIG. 5 is a bottom view of the bag organizer; and,

FIG. 6 is a perspective view of the bag organizer shown in an opened orientation.

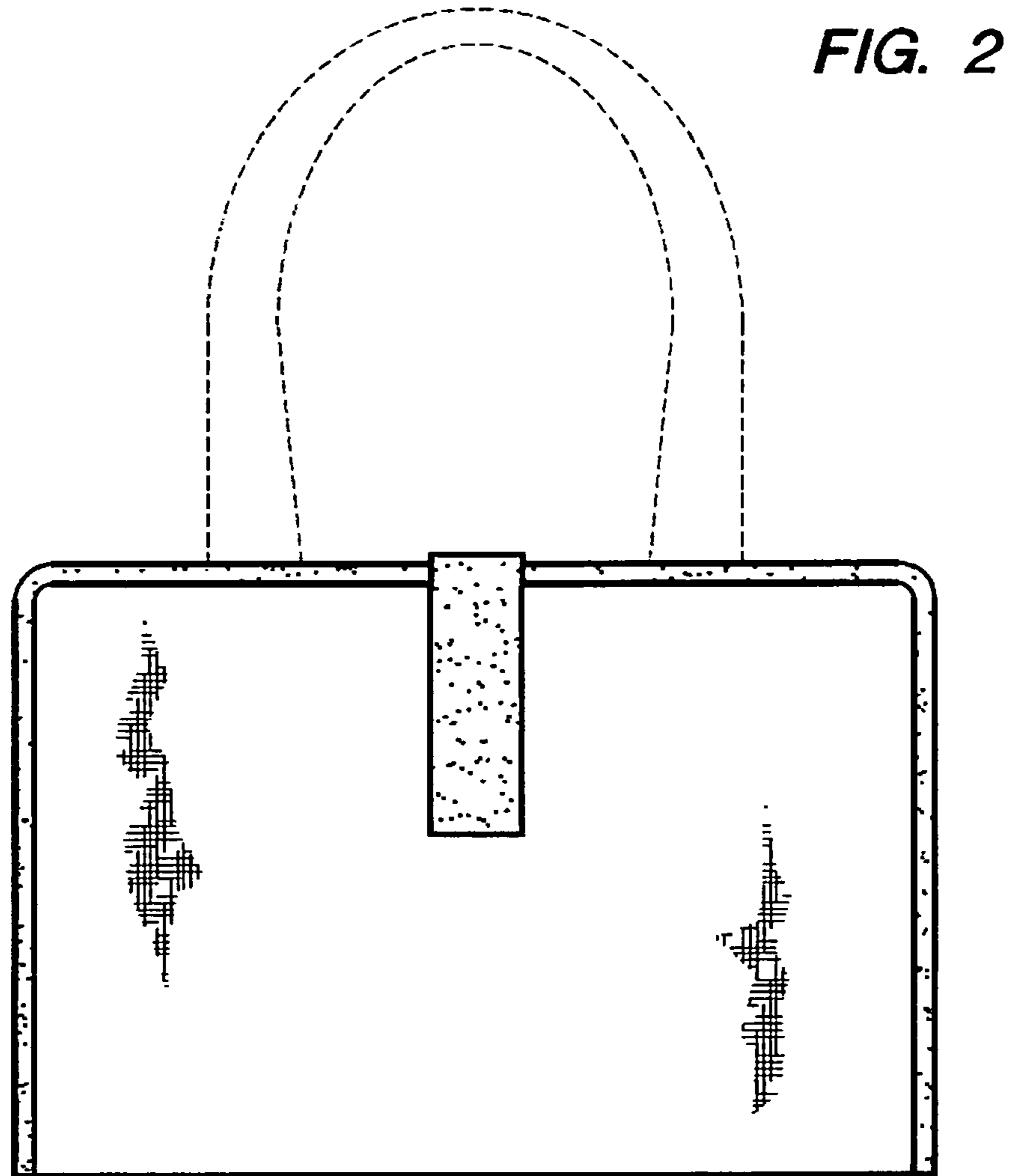
The broken line showing of the bag organizer is included for the purpose of illustrating portions of the article, and forms no part of the claimed design.

**1 Claim, 4 Drawing Sheets**

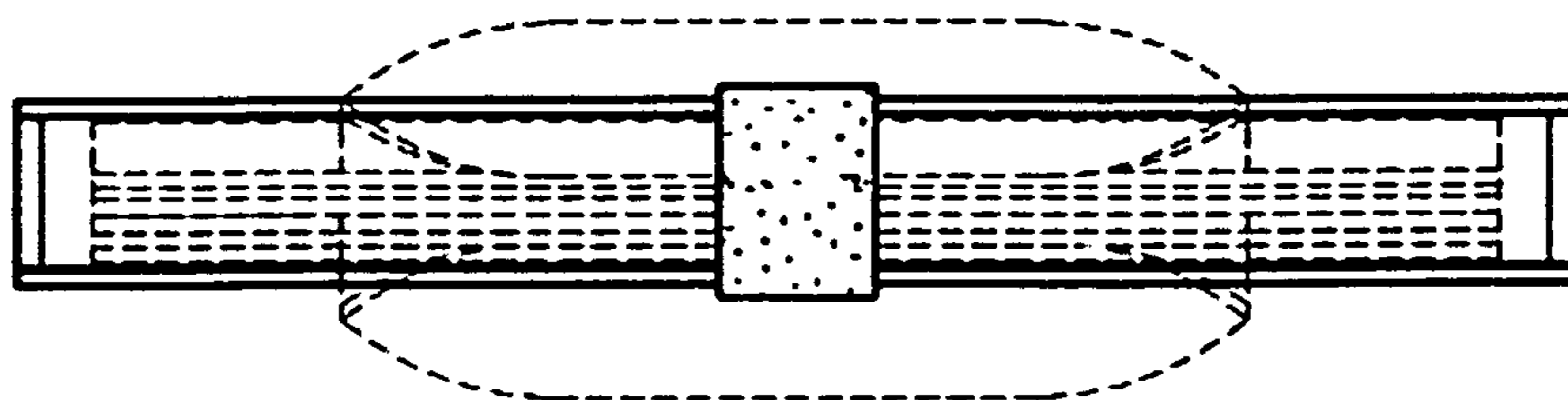




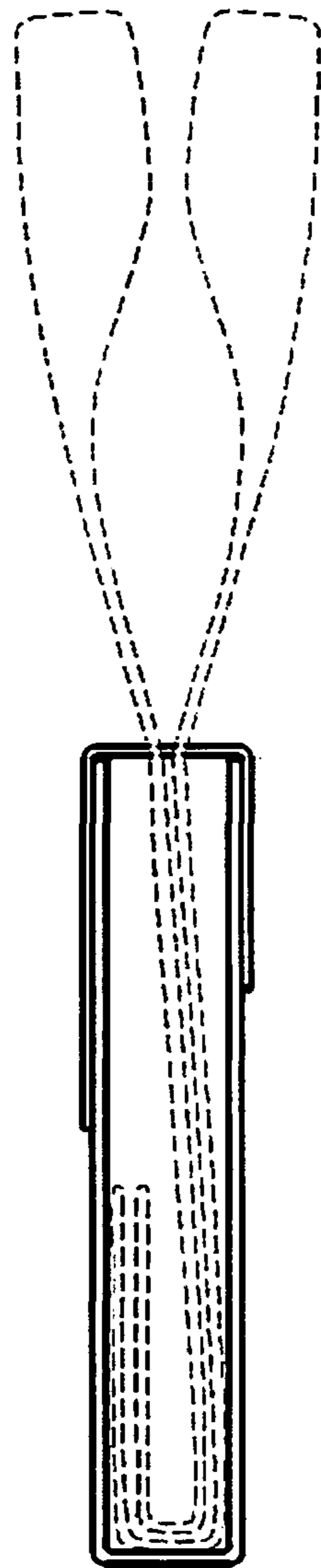
**FIG. 1**



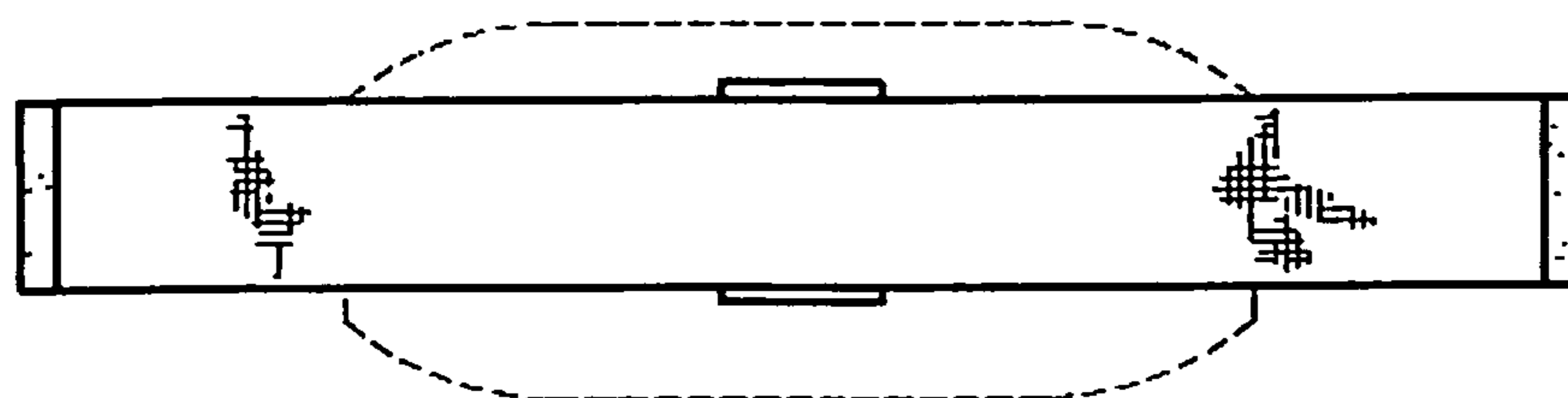
*FIG. 2*



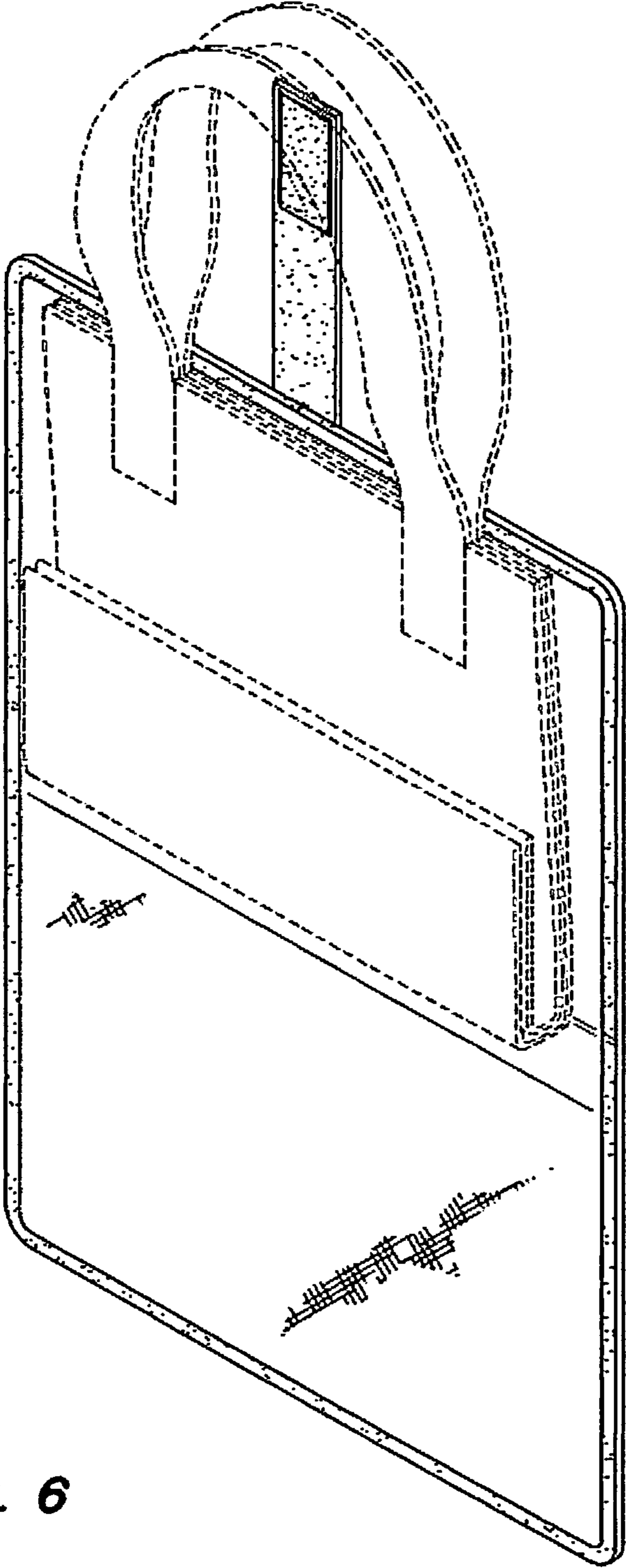
*FIG. 3*



**FIG. 4**



**FIG. 5**



**FIG. 6**