



US00D703951S

(12) **United States Design Patent**  
**Yum et al.**

(10) **Patent No.:** **US D703,951 S**

(45) **Date of Patent:** **\*\* May 6, 2014**

(54) **COMPUTER CASE**

(71) Applicant: **Samsung Electronics Co., Ltd.**,  
Suwon-si (KR)

(72) Inventors: **Sung-Jin Yum**, Seoul (KR); **Ji-Sang Park**, Yongin-si (KR); **Yeo-Wan Yun**,  
Seongnam-si (KR)

(73) Assignee: **Samsung Electronics Co., Ltd.** (KR)

(\*\*) Term: **14 Years**

(21) Appl. No.: **29/454,897**

(22) Filed: **May 15, 2013**

(30) **Foreign Application Priority Data**

Nov. 20, 2012 (KR) ..... 30-2012-0055297

(51) **LOC (10) Cl.** ..... **03-01**

(52) **U.S. Cl.**  
USPC ..... **D3/274; D3/276; D3/900**

(58) **Field of Classification Search**  
USPC ..... D3/273, 274, 276, 283, 282, 28, 286,  
D3/291, 294, 900; 190/900-903, 115;  
206/320, 576, 45.23; D14/328  
See application file for complete search history.

(56) **References Cited**

**U.S. PATENT DOCUMENTS**

D372,796 S \* 8/1996 Ferris ..... D3/282  
D422,975 S \* 4/2000 Sun ..... D14/328  
D455,743 S \* 4/2002 Smith et al. .... D14/328  
D512,221 S \* 12/2005 Allan et al. .... D3/282

D529,717 S \* 10/2006 Brancky ..... D3/285  
D558,754 S \* 1/2008 Takemasa et al. .... D14/328  
RE40,094 E \* 2/2008 Nakano ..... D14/328  
D655,084 S \* 3/2012 Shor et al. .... D3/276  
D665,168 S \* 8/2012 Dawson ..... D3/276  
D677,466 S \* 3/2013 Passavant ..... D3/290

\* cited by examiner

*Primary Examiner* — Jennifer Rivard

(74) *Attorney, Agent, or Firm* — Cantor Colburn LLP

(57) **CLAIM**

The ornamental design for a computer case, as shown and described.

**DESCRIPTION**

FIG. 1 is a perspective view of a computer case showing our new design;  
FIG. 2 is a front view thereof;  
FIG. 3 is a rear view thereof;  
FIG. 4 is a left side view thereof;  
FIG. 5 is a right side view thereof;  
FIG. 6 is a top plan view thereof;  
FIG. 7 is a bottom plan view thereof;  
FIG. 8 is another perspective view thereof in an alternative position of use;  
FIG. 9 is another perspective view thereof in an alternative position of use; and,  
FIG. 10 is another perspective view thereof in an alternative position of use.  
The broken lines showing of a keyboard and screen detail are included for the purpose of illustrating environment and form no part of the claimed design.

**1 Claim, 10 Drawing Sheets**

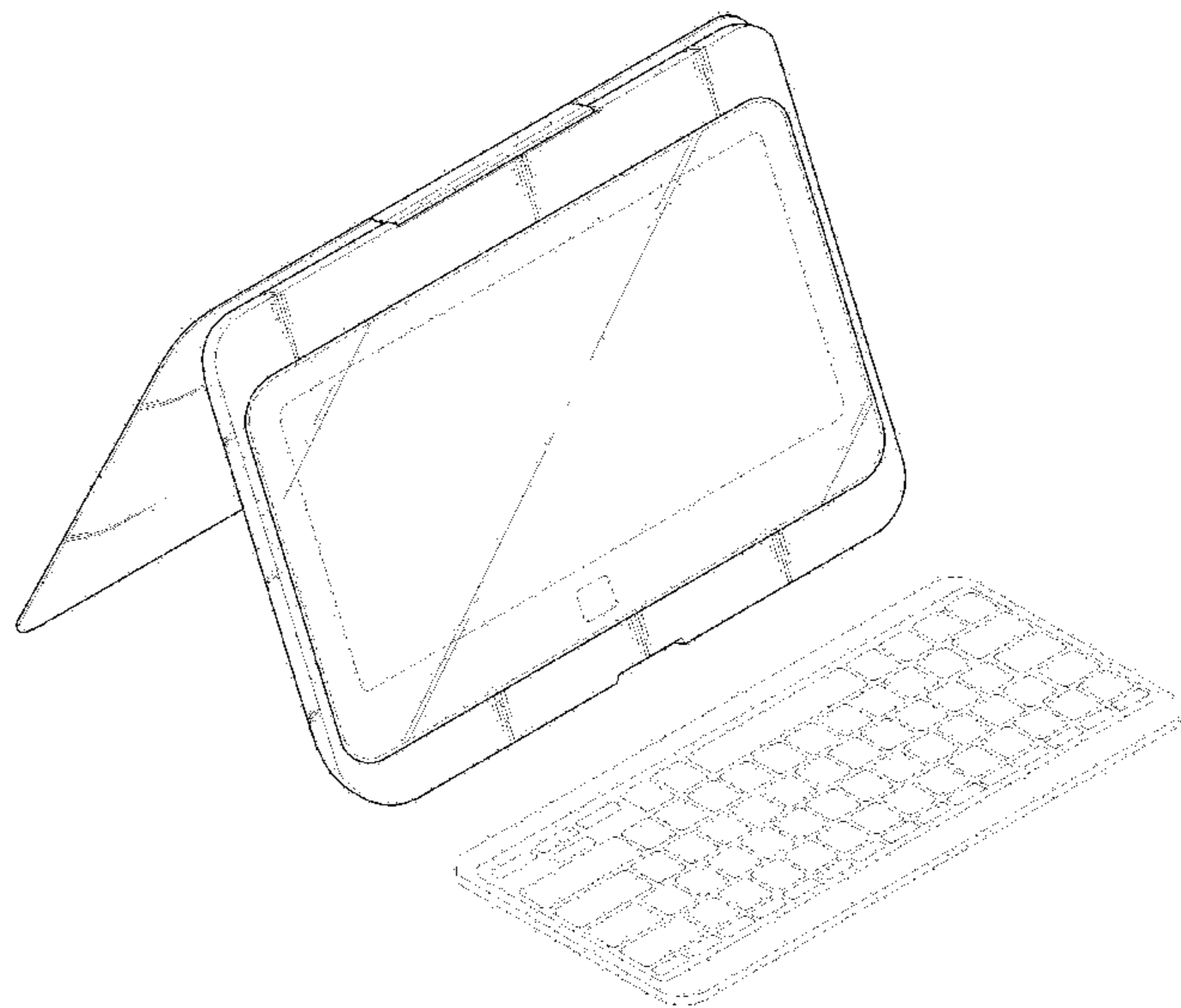
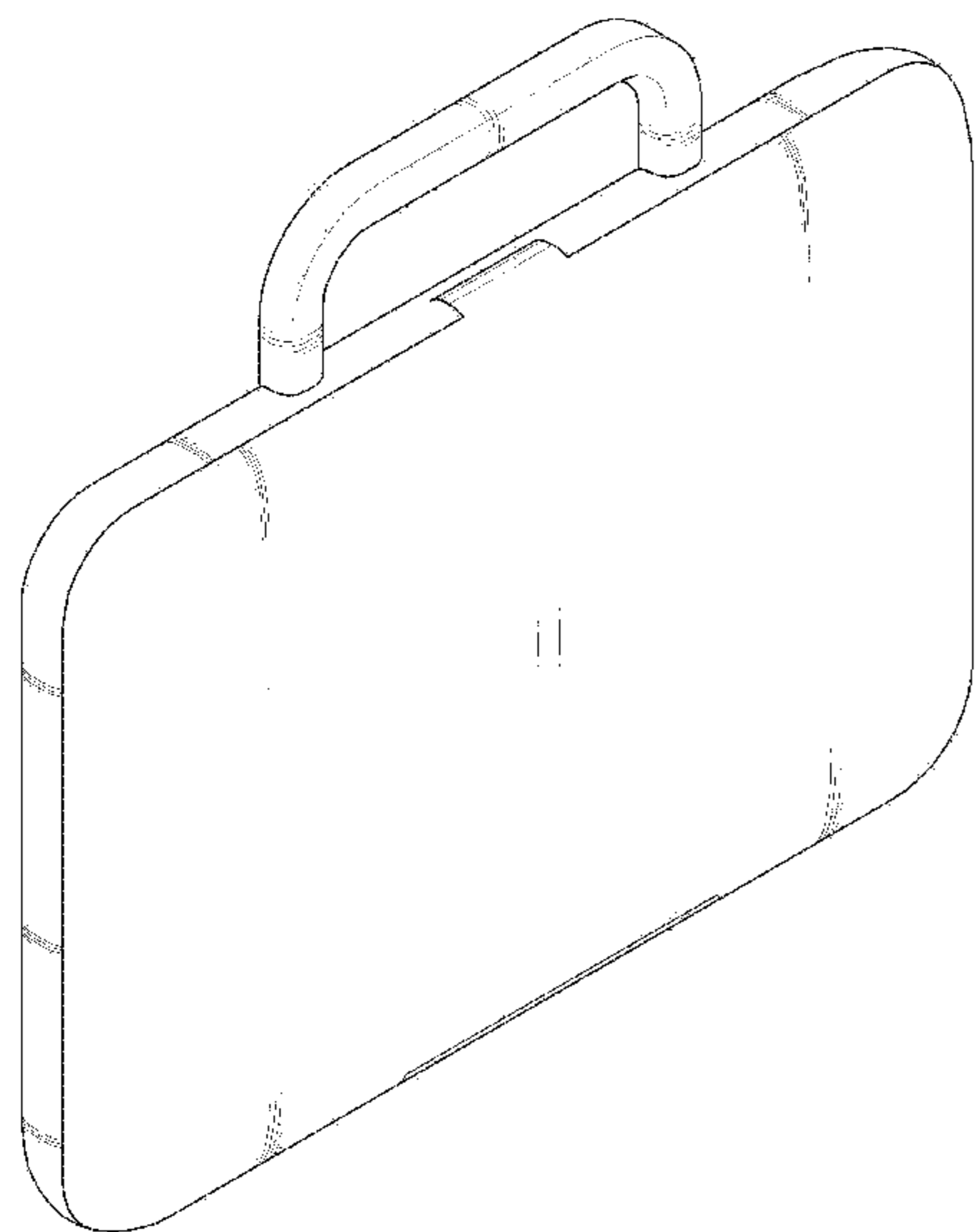


FIG. 1

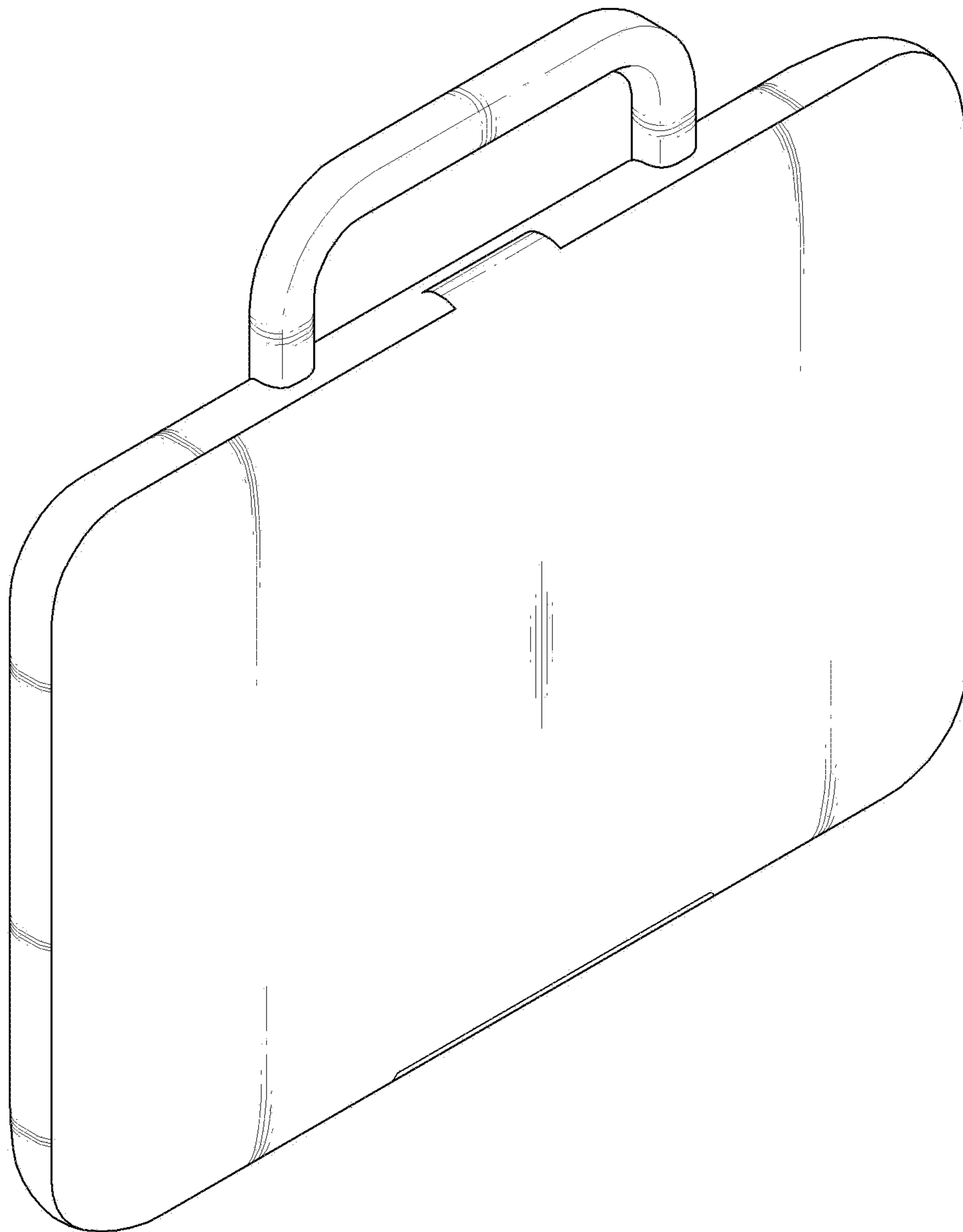


FIG.2

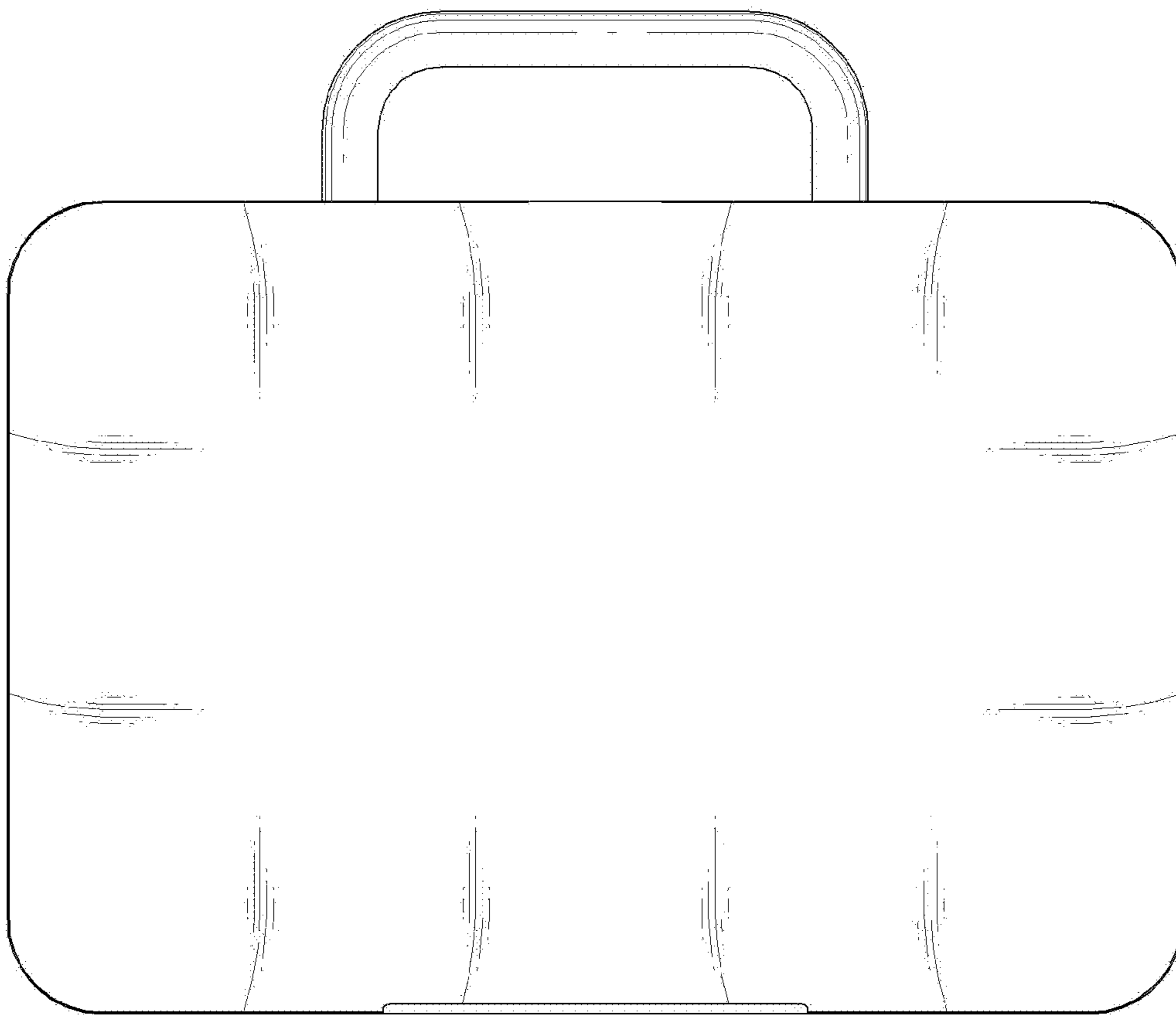


FIG. 3

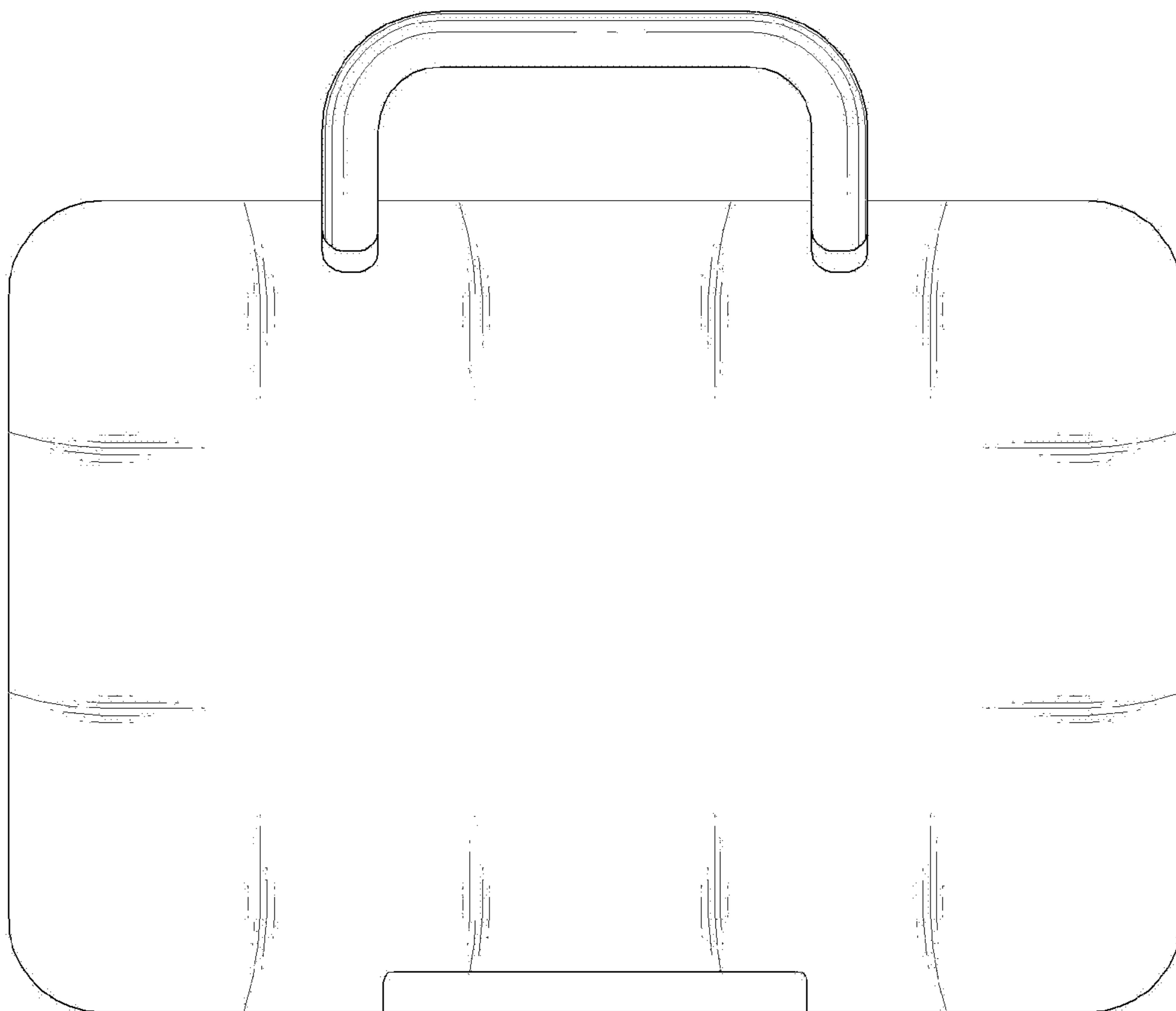


FIG. 4

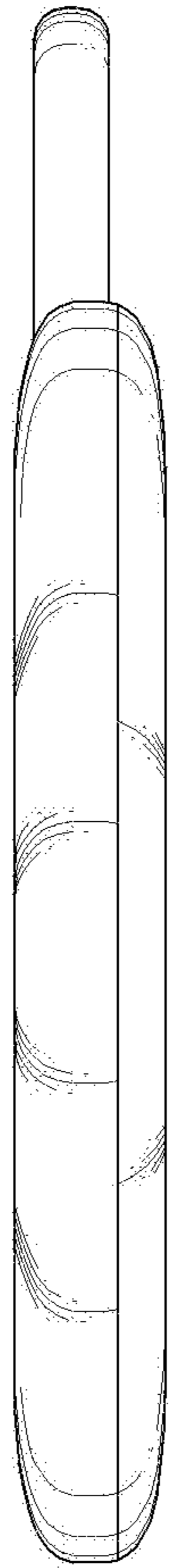


FIG. 5

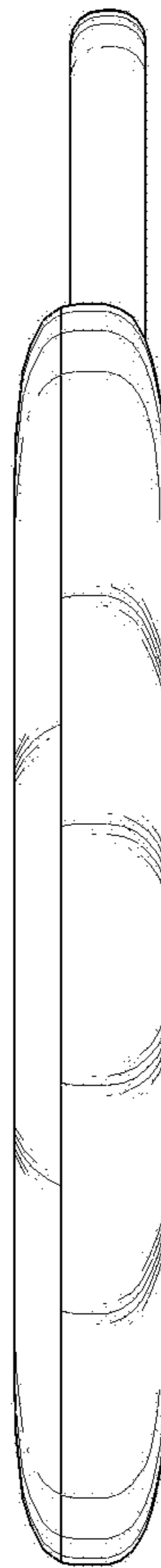


FIG. 6

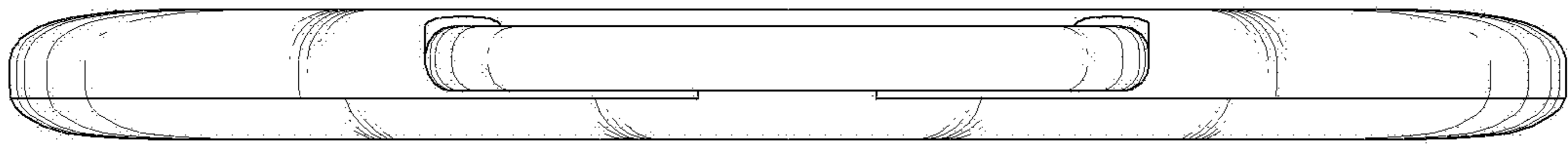


FIG. 7

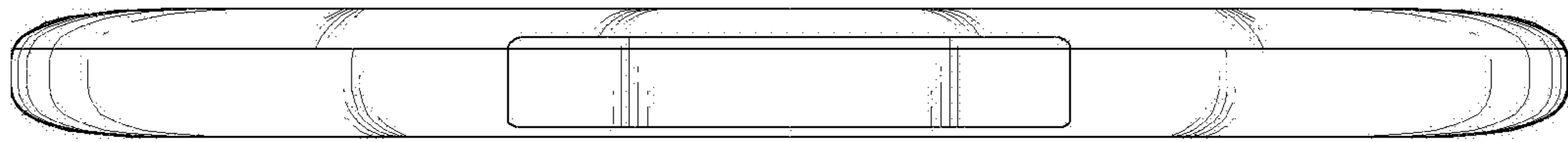




FIG. 8

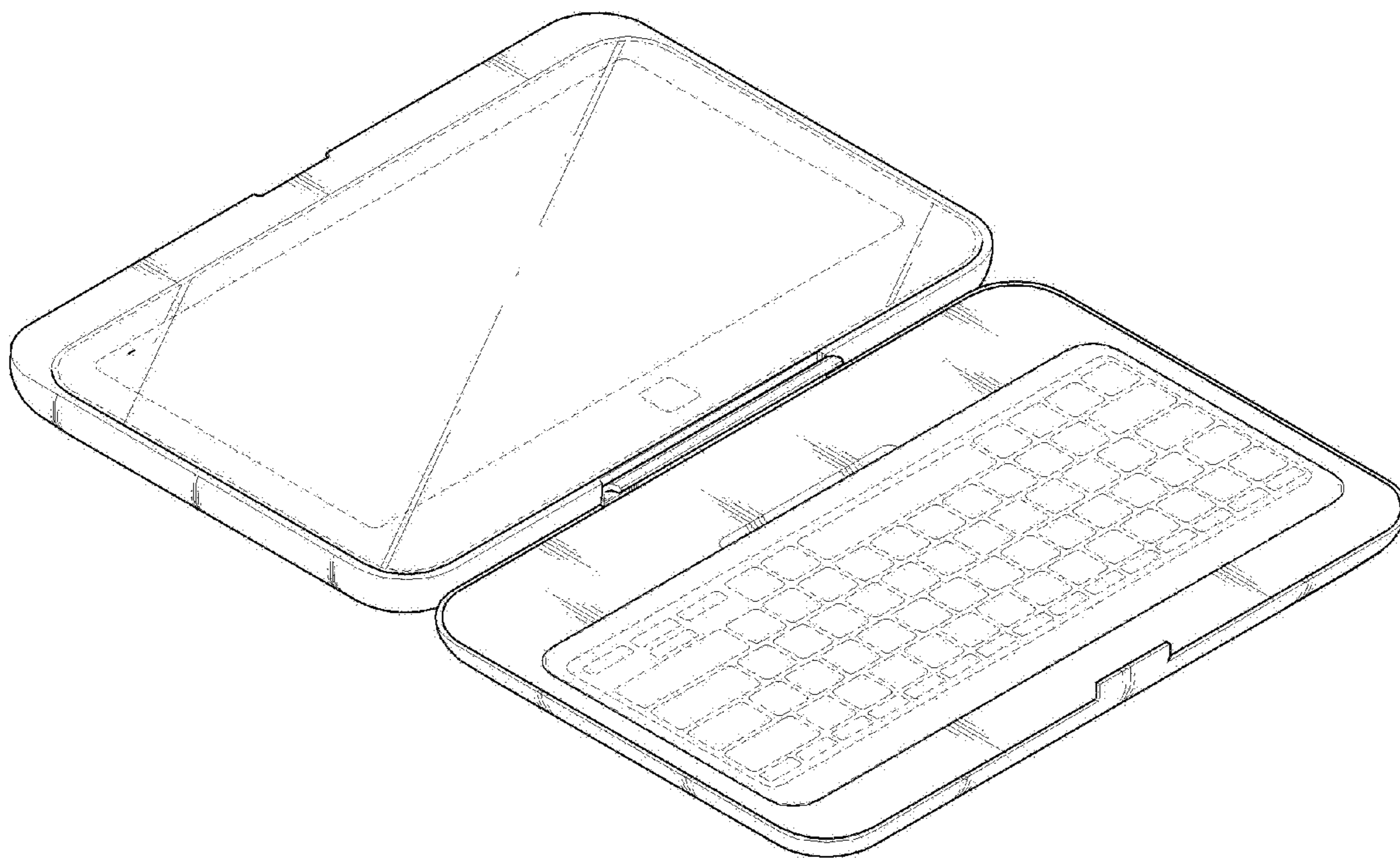


FIG.9

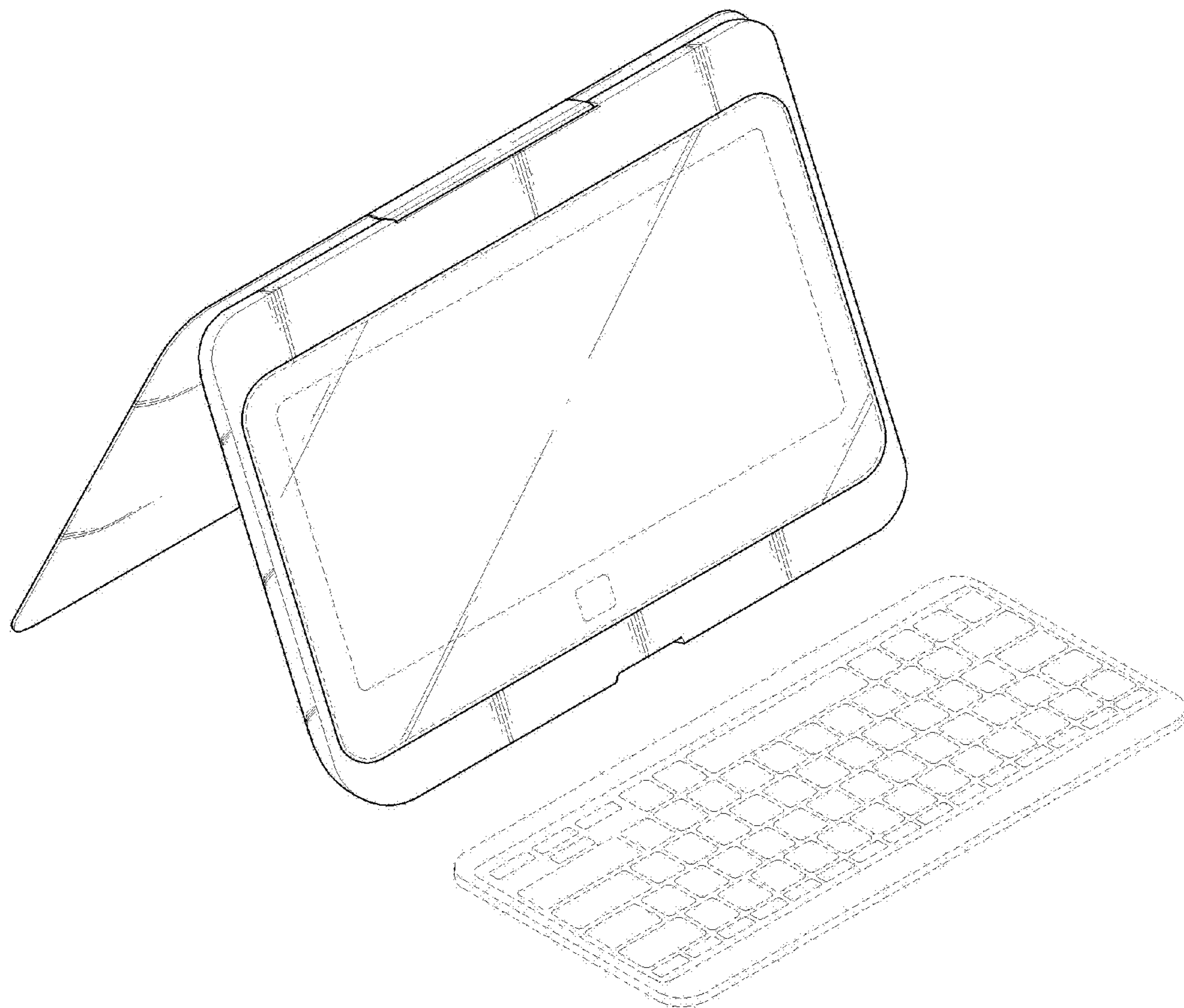


FIG. 10

