



US00D703949S

(12) **United States Design Patent**
Chappell et al.

(10) **Patent No.:** **US D703,949 S**

(45) **Date of Patent:** **** May 6, 2014**

(54) **PHONE WALLET**

(76) Inventors: **Christopher R. Chappell**, Whitefish Bay, WI (US); **Cory A. Chappell**, Whitefish Bay, WI (US)

(**) Term: **14 Years**

(21) Appl. No.: **29/428,819**

(22) Filed: **Aug. 3, 2012**

(51) **LOC (10) Cl.** **03-01**

(52) **U.S. Cl.**
USPC **D3/249**

(58) **Field of Classification Search**
USPC D3/247, 249–253; D14/250;
150/130–132, 136–137, 147
See application file for complete search history.

(56) **References Cited**

U.S. PATENT DOCUMENTS

D404,566 S *	1/1999	Archer	D3/247
D435,340 S *	12/2000	Kojoori	D3/250
D544,711 S *	6/2007	Mundy et al.	D3/247
D602,689 S	10/2009	Hewitt		
D619,356 S *	7/2010	Hillman	D3/218
D639,552 S	6/2011	Du		
8,047,364 B2	11/2011	Longinotti-Buitoni		
2007/0057004 A1	3/2007	Butler et al.		
2008/0121322 A1	5/2008	Thomson		

OTHER PUBLICATIONS

Cohen, Dan, The WalletSkin, Gear Diary, 2010, 2 pages, <http://technology.automated.it/author/dan-cohen/page/106/>.
www.ebay.com, Black Wallet Leather Case Card Holder Flip Cover for Samsung i9300 Galaxy S3 III, Jul. 10, 2012, 3 pages.

* cited by examiner

Primary Examiner — Holly Baynham

(74) *Attorney, Agent, or Firm* — Rathe Lindenbaum LLP

(57) **CLAIM**

We claim the ornamental design for a phone wallet, as shown and described.

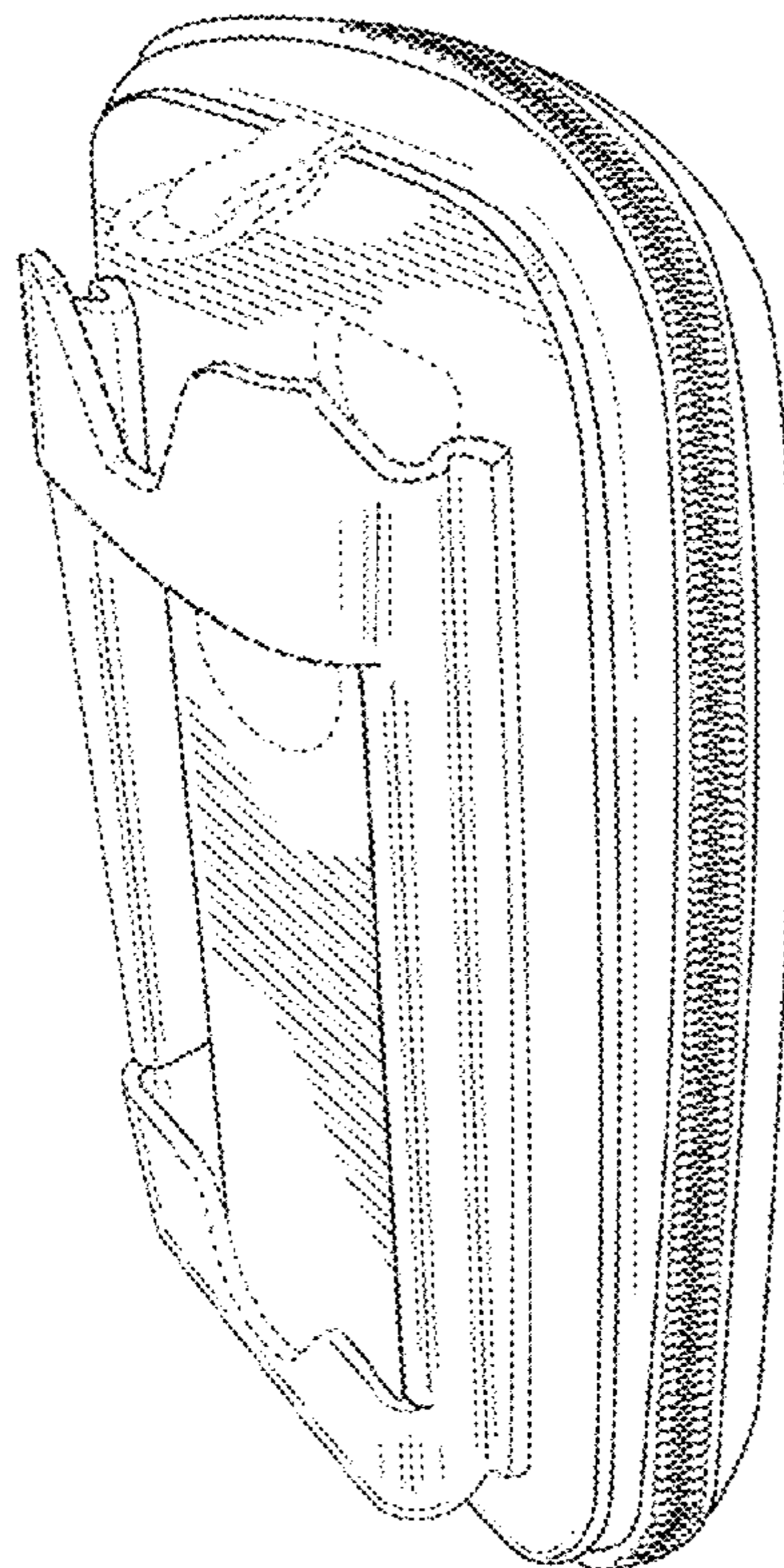
DESCRIPTION

FIG. 1 is a perspective view of the claimed design.
FIG. 2 is a front plan view of the claimed design of FIG. 1.
FIG. 3 is a rear plan view of the claimed design of FIG. 1.
FIG. 4 is a right plan view of the claimed design of FIG. 1.
FIG. 5 is a left plan view of the claimed design of FIG. 1.
FIG. 6 is a top plan view of the claimed design of FIG. 1;
FIG. 7 is a bottom plan view of the claimed design of FIG. 1;
and

FIG. 8 is view of the claimed design of FIG. 1, in an open orientation.

The broken lines showing portions of the case are for the purposes of illustrating environment and form no part of the claimed design.

1 Claim, 6 Drawing Sheets



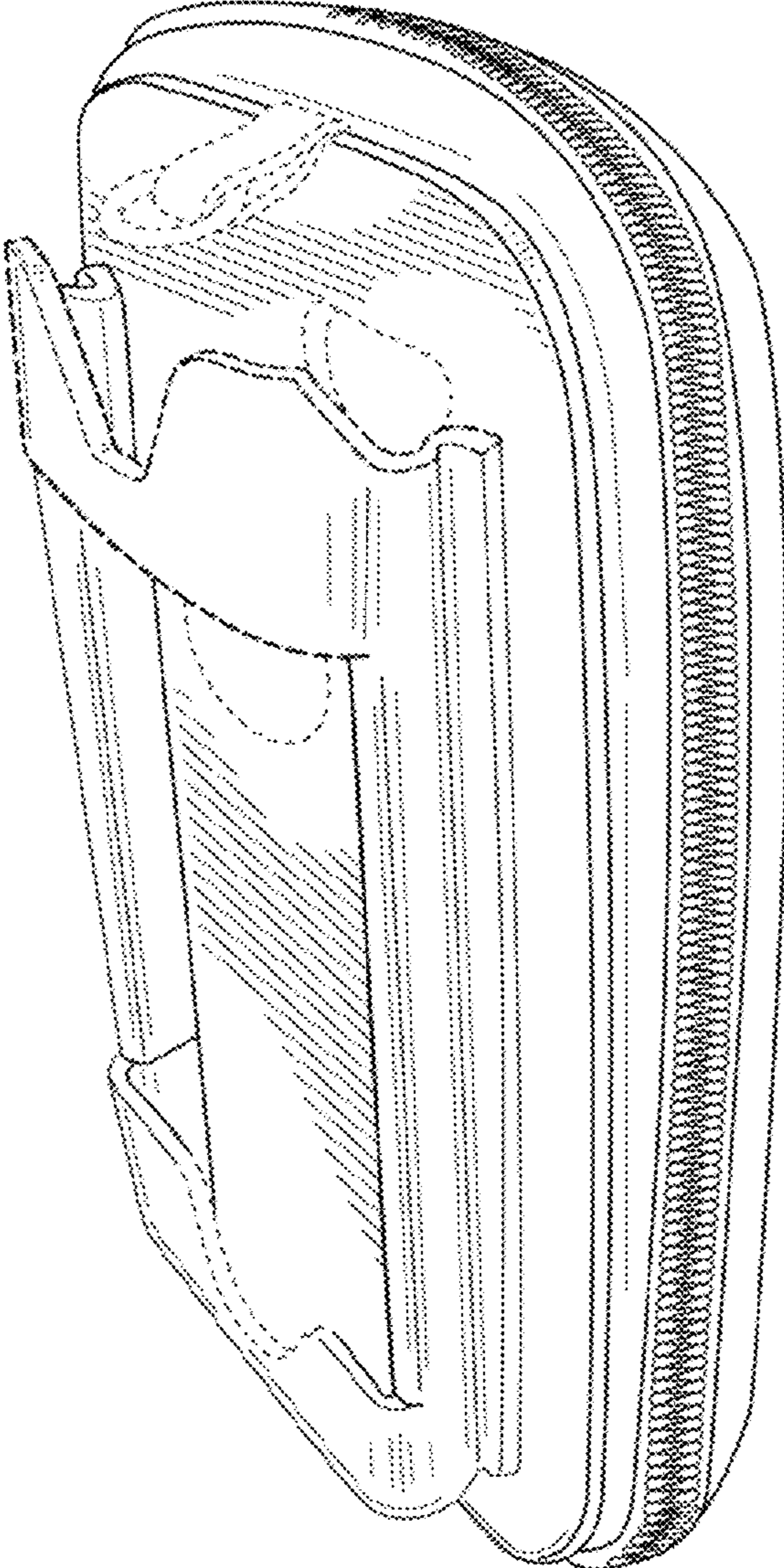


FIG. 1

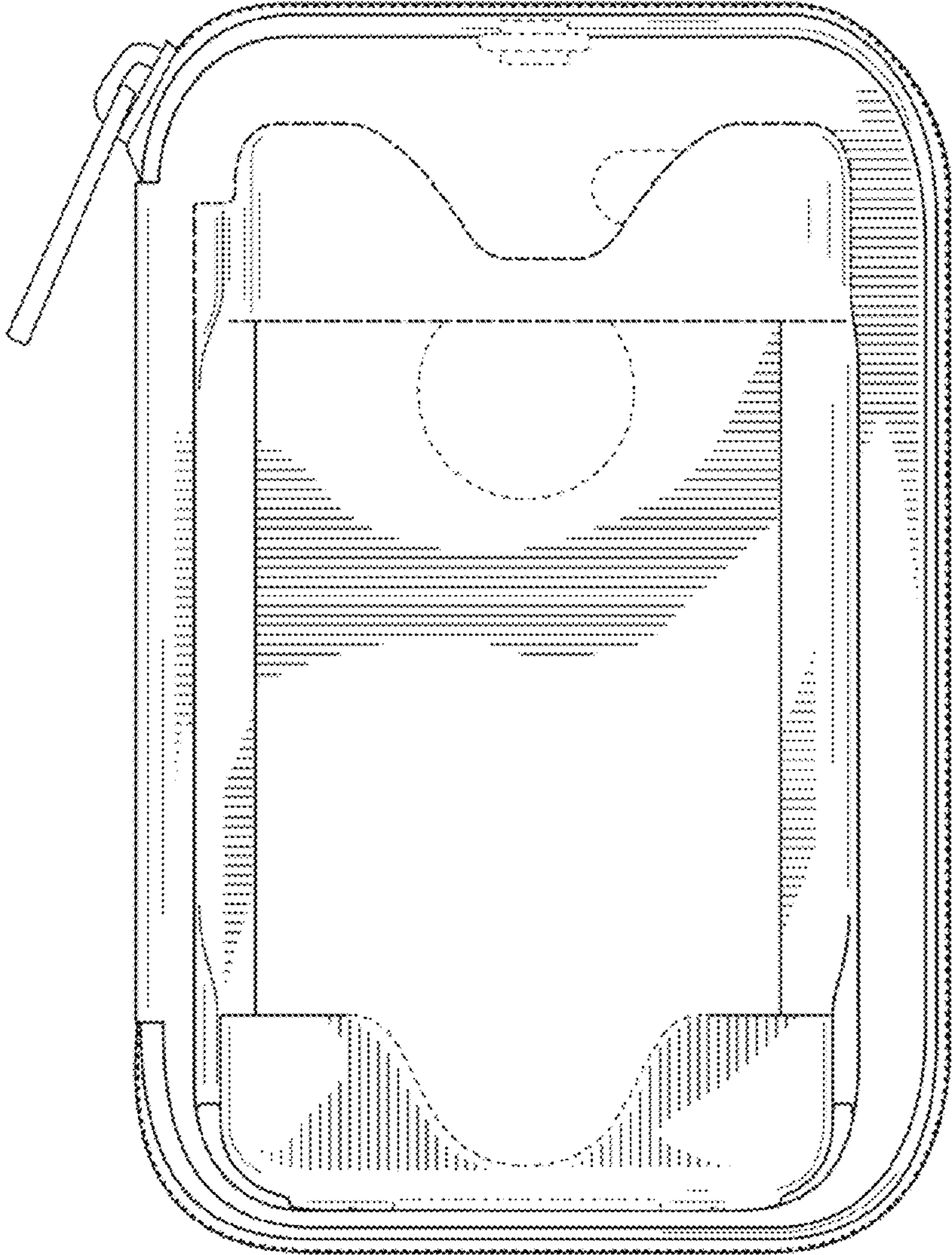


FIG. 2

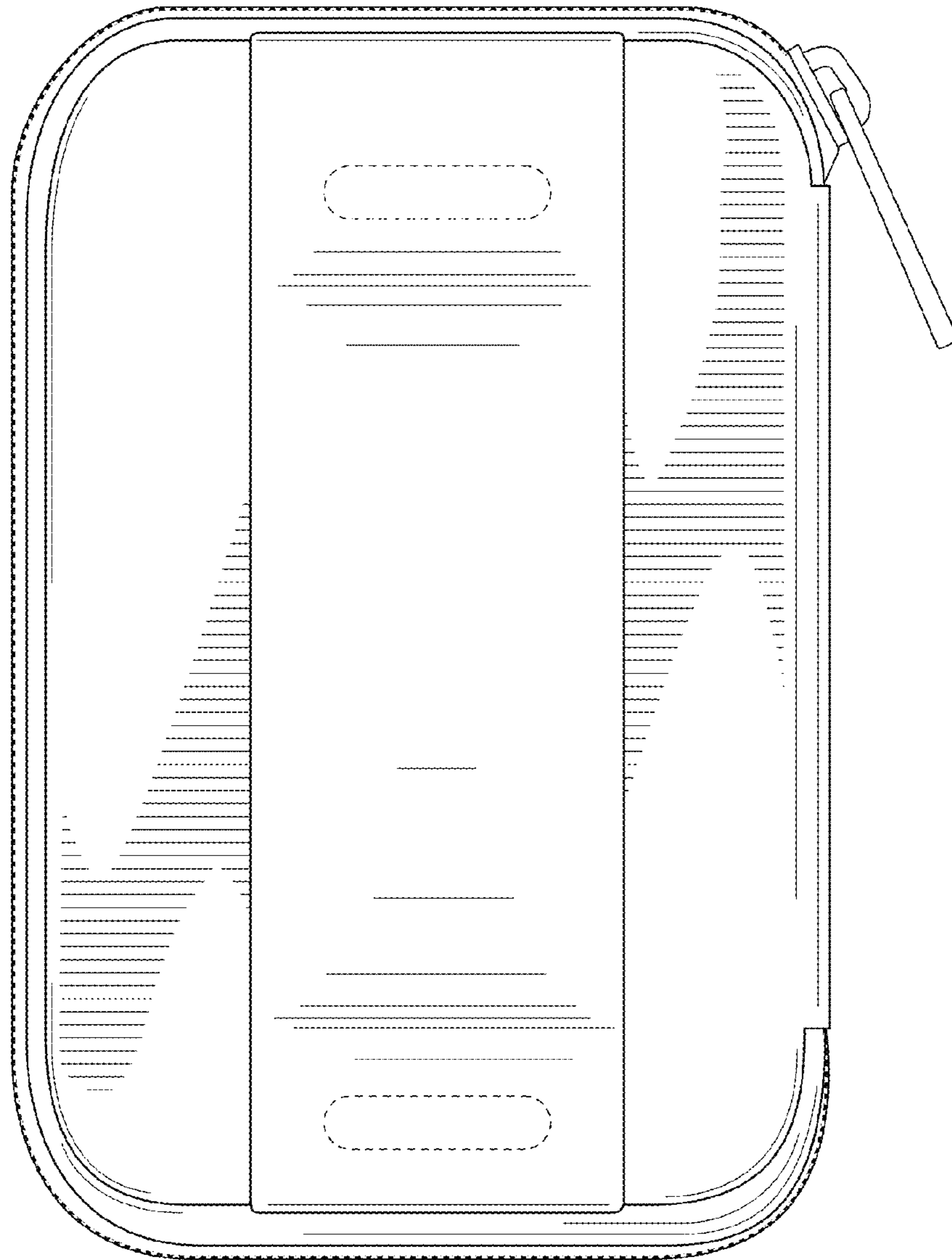


FIG. 3

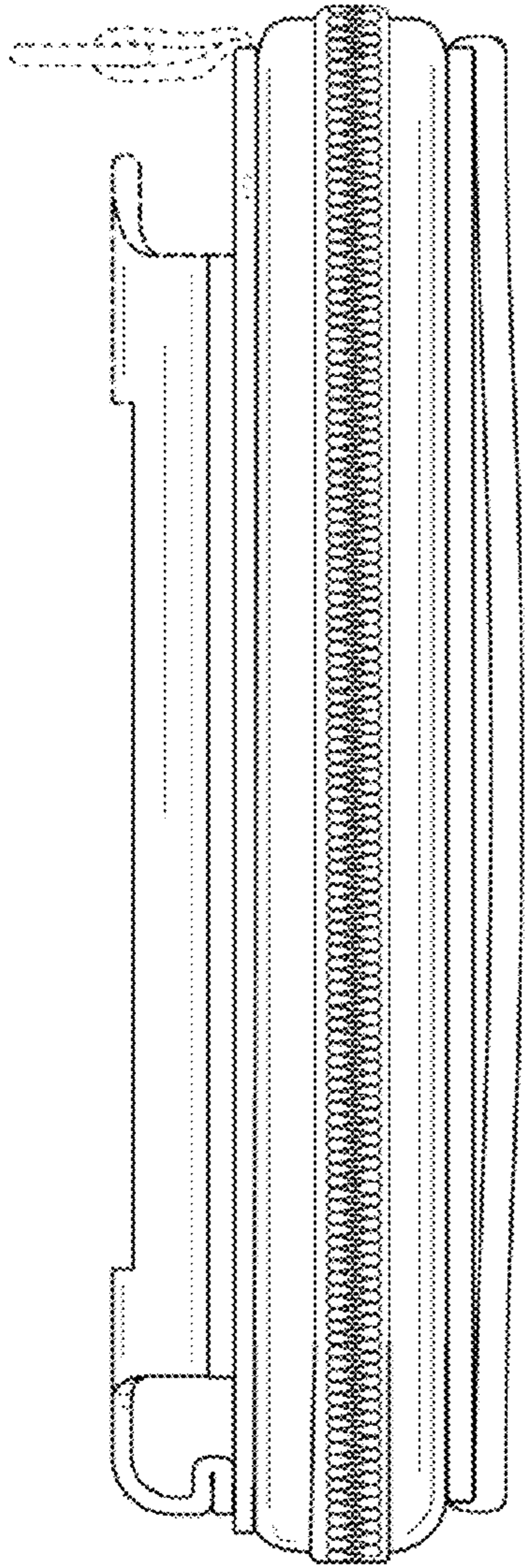


FIG. 4

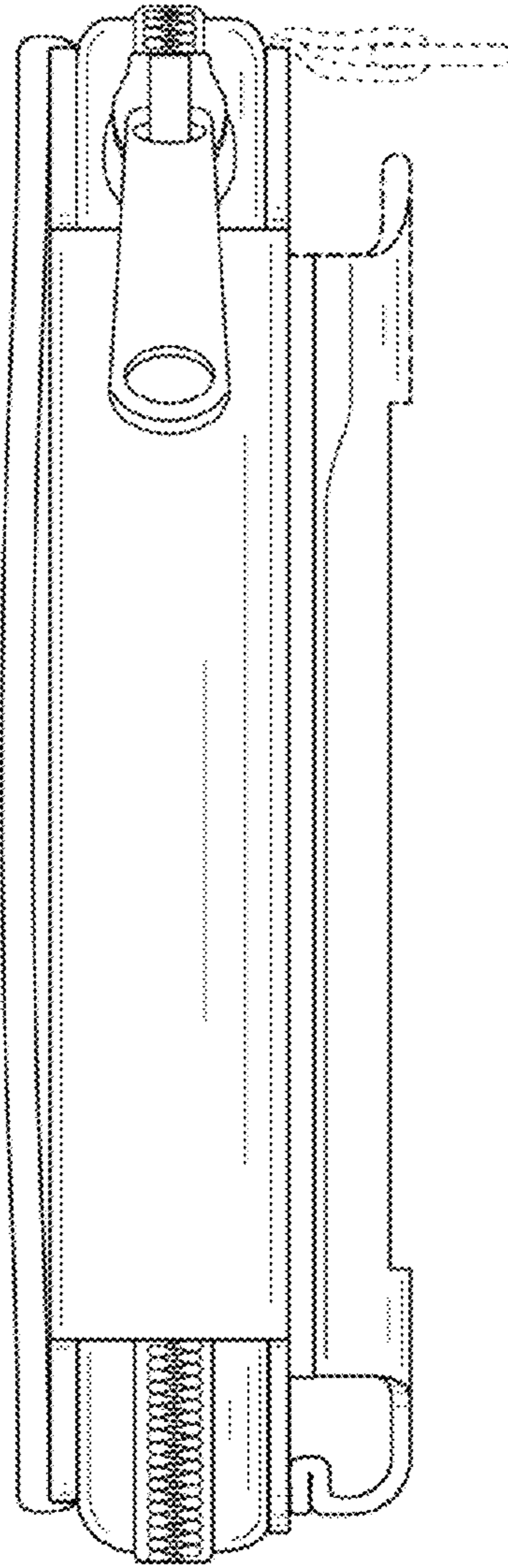


FIG. 5

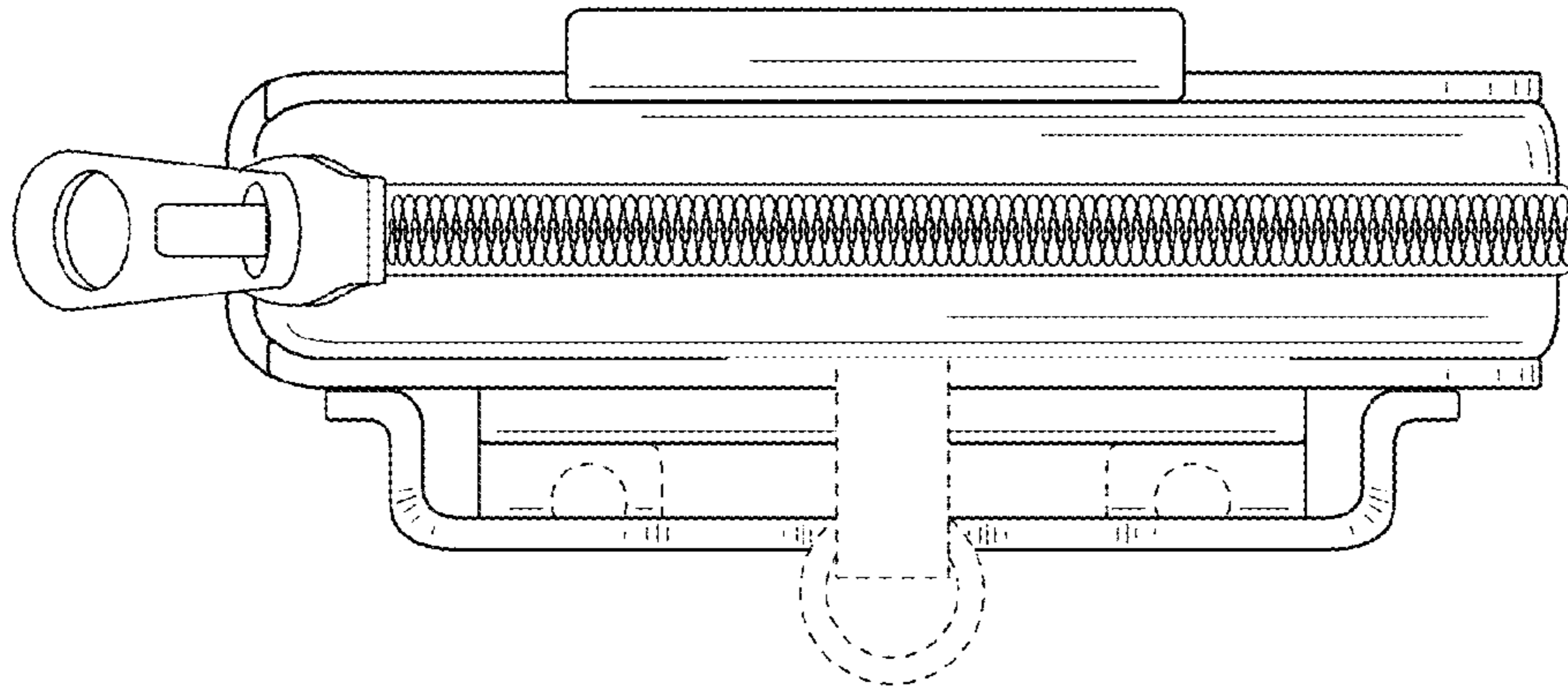


FIG. 6

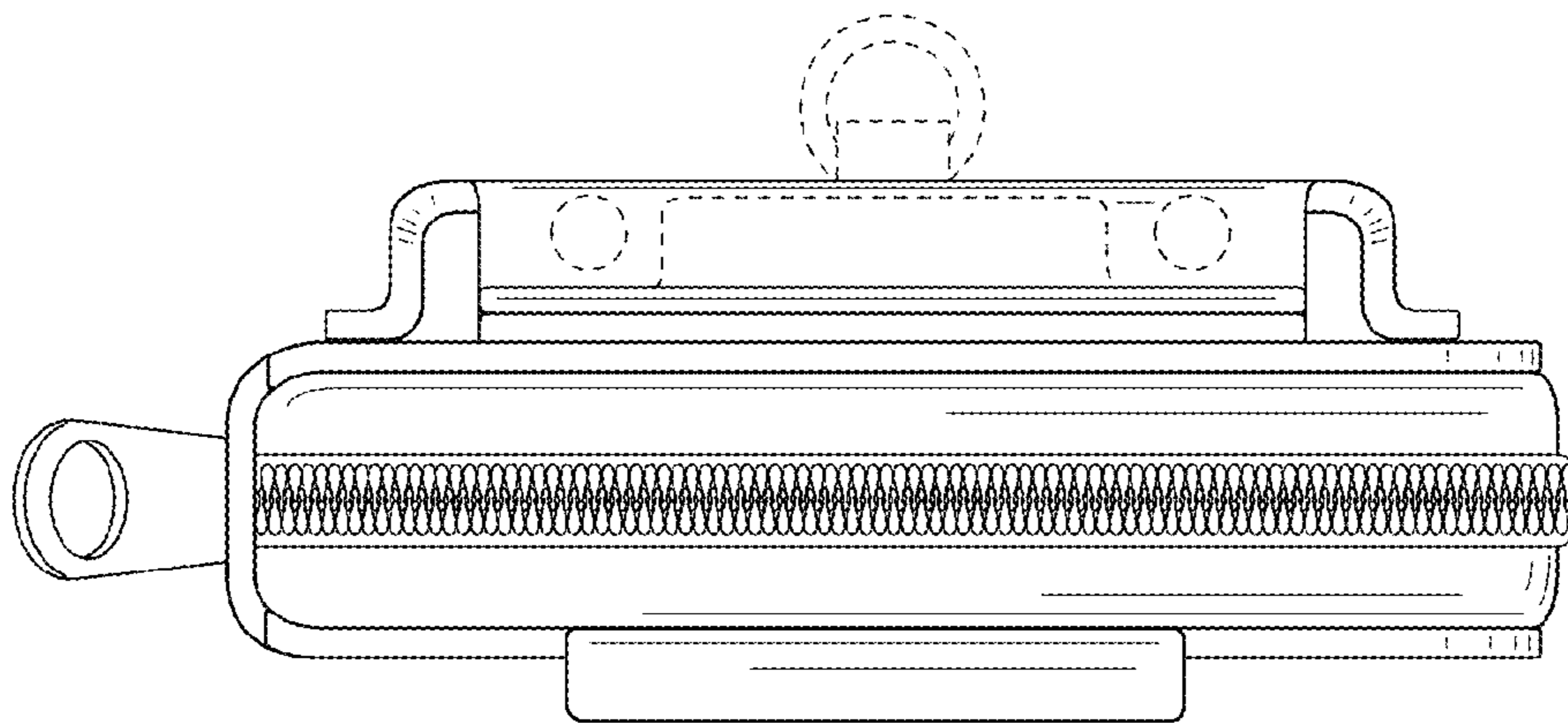


FIG. 7

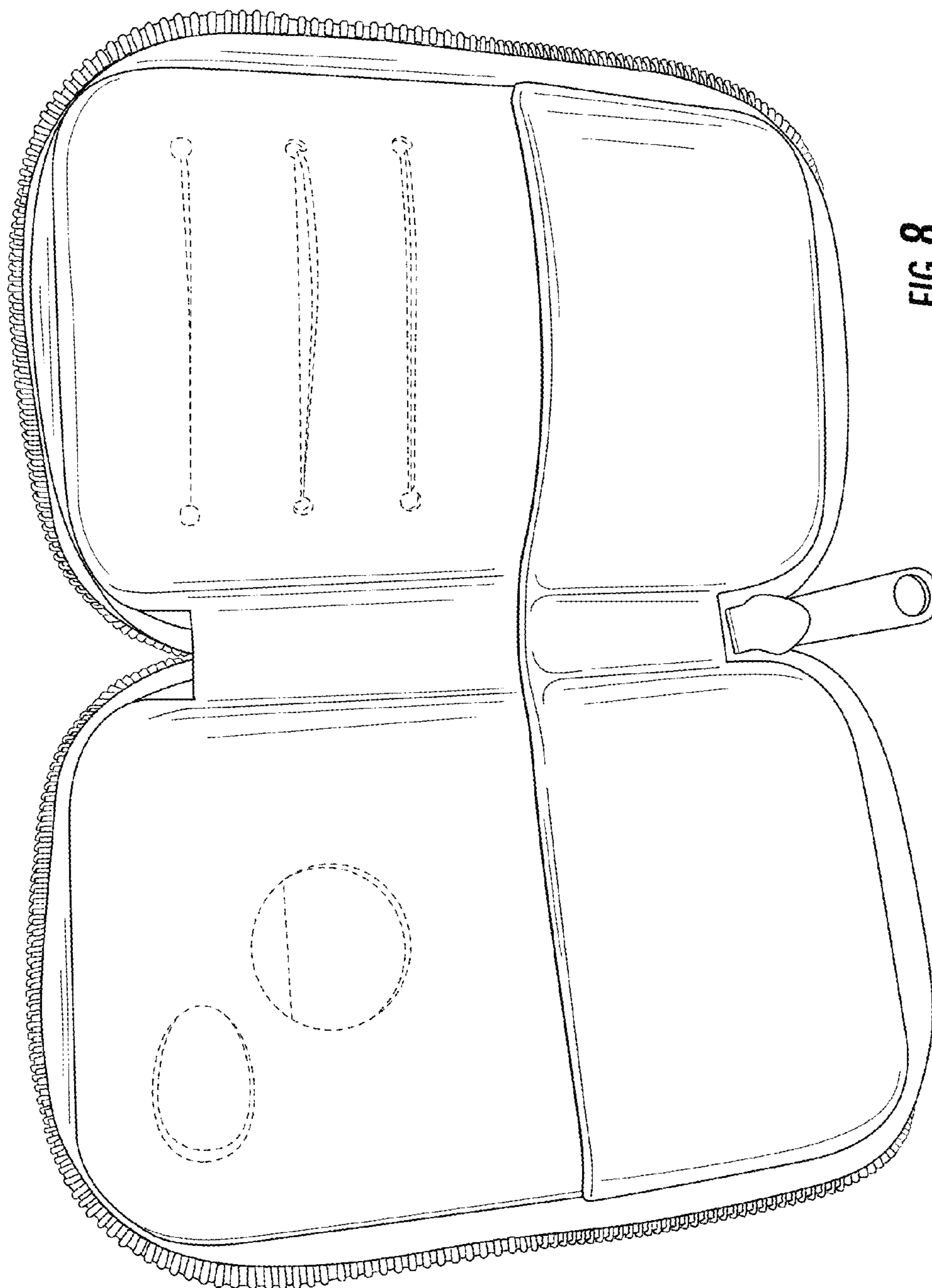


FIG. 8