



US00D703946S

(12) **United States Design Patent**
Tweedie

(10) **Patent No.:** **US D703,946 S**

(45) **Date of Patent:** **** May 6, 2014**

(54) **MESSENGER BAG**

(71) Applicant: **Aaron Tweedie**, Front Royal, VA (US)

(72) Inventor: **Aaron Tweedie**, Front Royal, VA (US)

(**) Term: **14 Years**

(21) Appl. No.: **29/452,483**

(22) Filed: **Apr. 17, 2013**

(51) **LOC (10) Cl.** **03-01**

(52) **U.S. Cl.**
USPC **D3/216; D3/217**

(58) **Field of Classification Search**
USPC D3/201, 213, 214, 215, 216, 217, 218,
D3/231, 232, 267, 273, 289, 290, 327;
190/102, 111; 224/153, 155, 575, 576,
224/578, 579, 581, 586, 613, 617, 627, 637,
224/644, 645, 650, 653, 657; 5/413 R;
441/80

See application file for complete search history.

(56) **References Cited**

U.S. PATENT DOCUMENTS

2,691,400	A *	10/1954	Giordano	190/111
D281,645	S	12/1985	Bomes et al.	
5,160,001	A *	11/1992	Marceau	190/102
D378,163	S *	2/1997	Clissold	D3/218
D384,200	S *	9/1997	Caldwell	D3/218
D441,190	S *	5/2001	Eskandry	D3/289
6,244,481	B1 *	6/2001	Brougher	224/153
D446,013	S	8/2001	Pironti	

D507,698	S *	7/2005	Hooper	D3/217
D550,449	S *	9/2007	Gossett	D3/217
7,699,524	B2 *	4/2010	Moore, Sr.	383/13
D616,199	S *	5/2010	Swartz et al.	D3/267
D652,209	S	1/2012	Swartz et al.	
D672,547	S *	12/2012	Bettauer	D3/216
2010/0108726	A1 *	5/2010	Hilgenberg	224/153
2013/0068804	A1	3/2013	Tweedie	

* cited by examiner

Primary Examiner — Caron D Veynar

Assistant Examiner — Martie K Holtje

(74) *Attorney, Agent, or Firm* — William E. Eshelman

(57) **CLAIM**

The ornamental design for a messenger bag, as shown and described.

DESCRIPTION

FIG. 1 is a left front perspective view of a messenger bag showing my new design in an in use position.

FIG. 2 is a left front perspective view thereof.

FIG. 3 is a right rear perspective view thereof.

FIG. 4 is a front elevational view thereof.

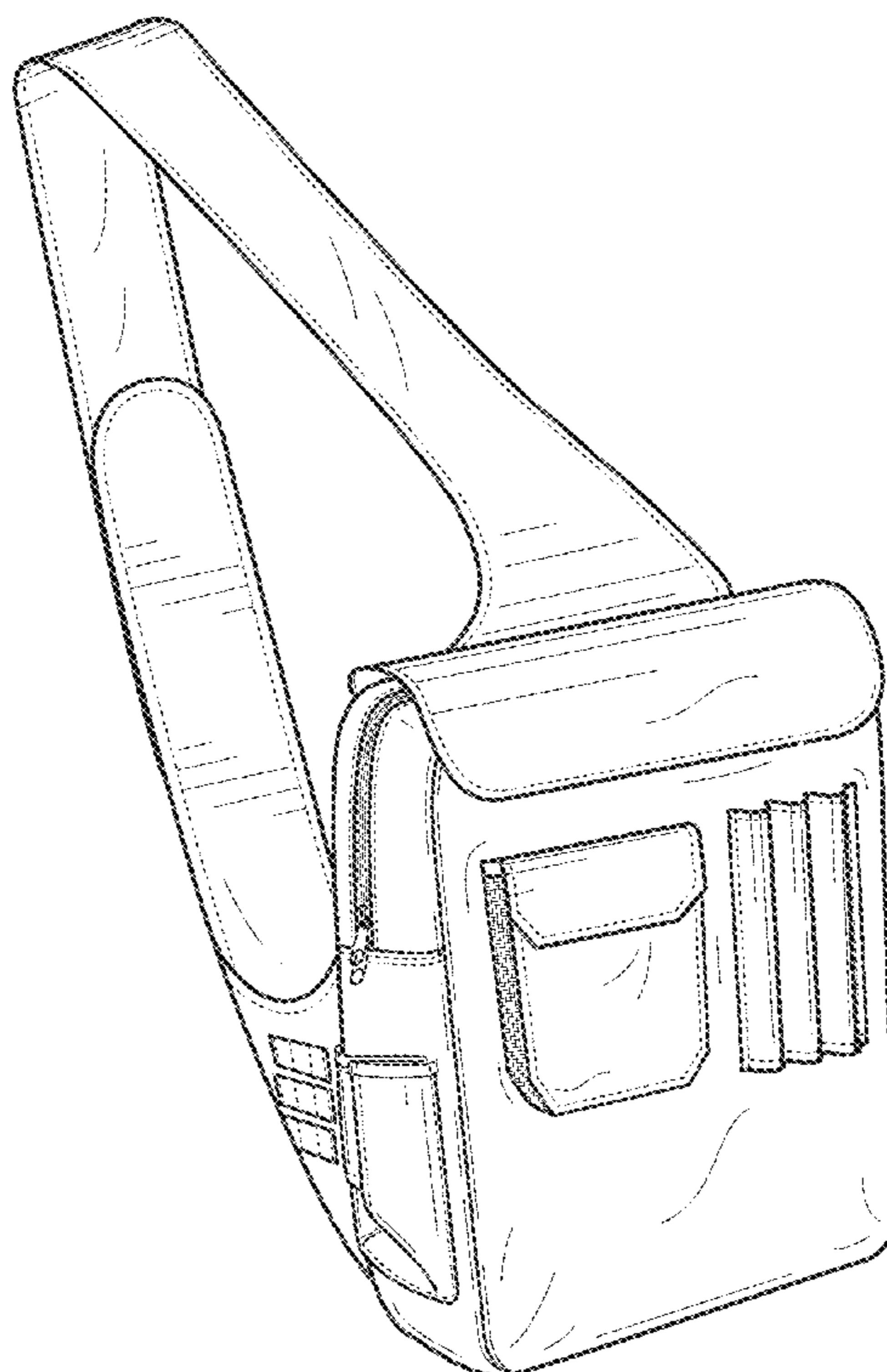
FIG. 5 is a rear elevational view thereof.

FIG. 6 is a right side elevational view thereof; and,

FIG. 7 is a left side elevational view thereof.

The broken line showing of the person and the elements in the exterior pockets of the messenger bag, in FIG. 1, have been shown for the purpose of illustrating environmental features that form no part of the claimed design.

1 Claim, 7 Drawing Sheets



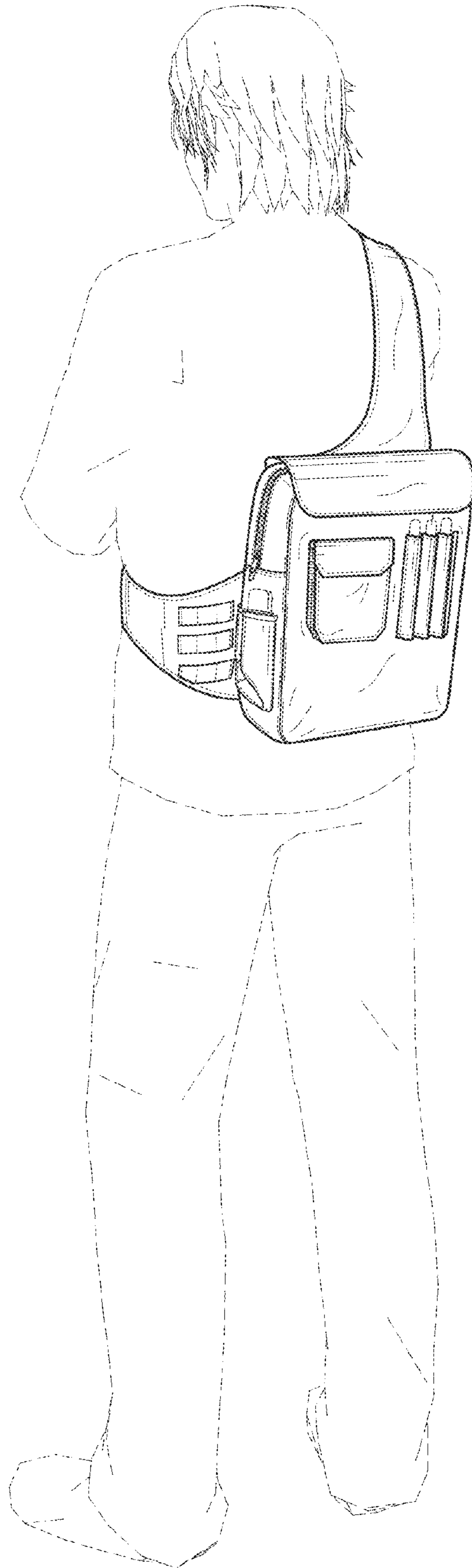


Fig. 1

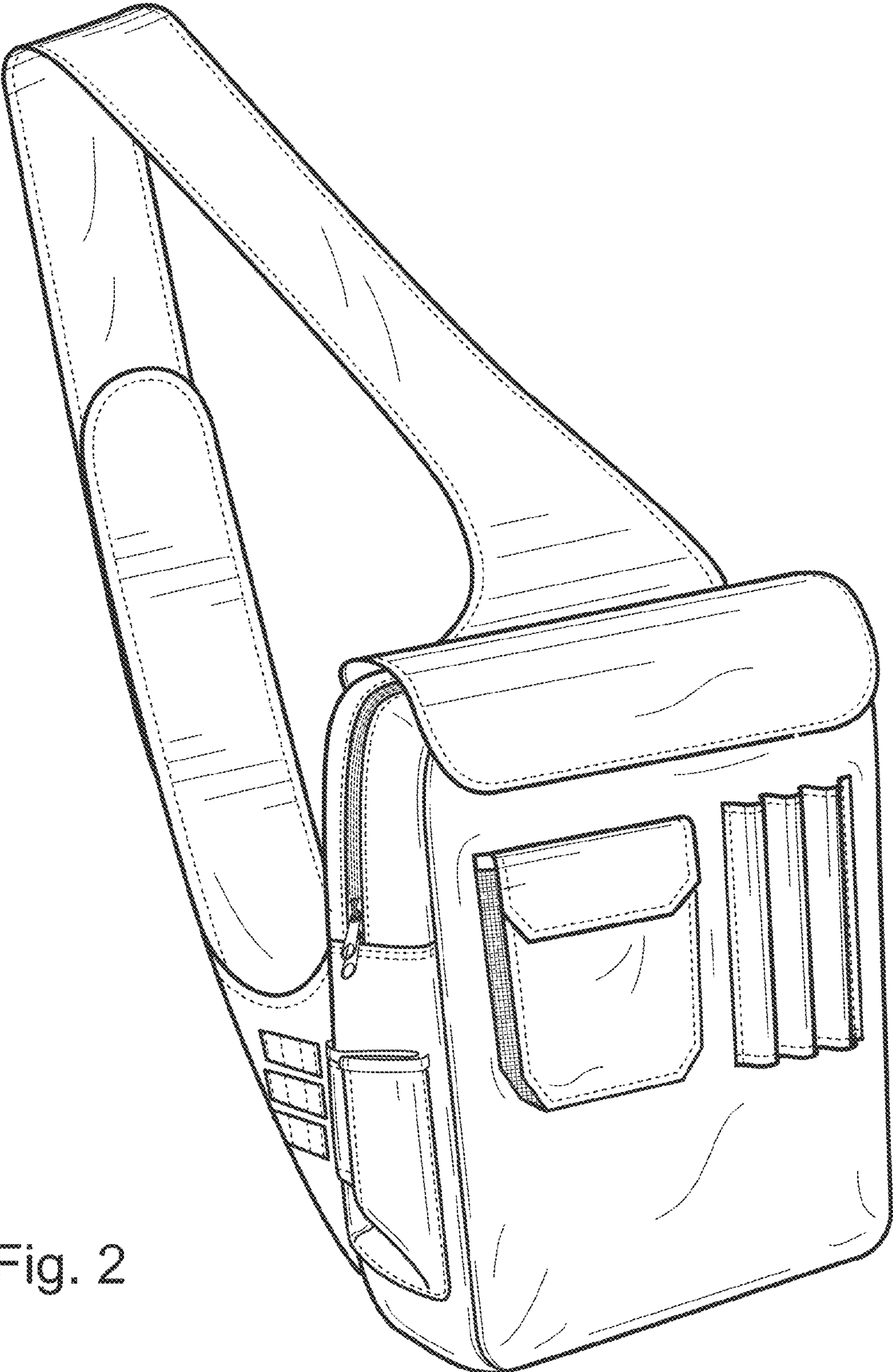


Fig. 2

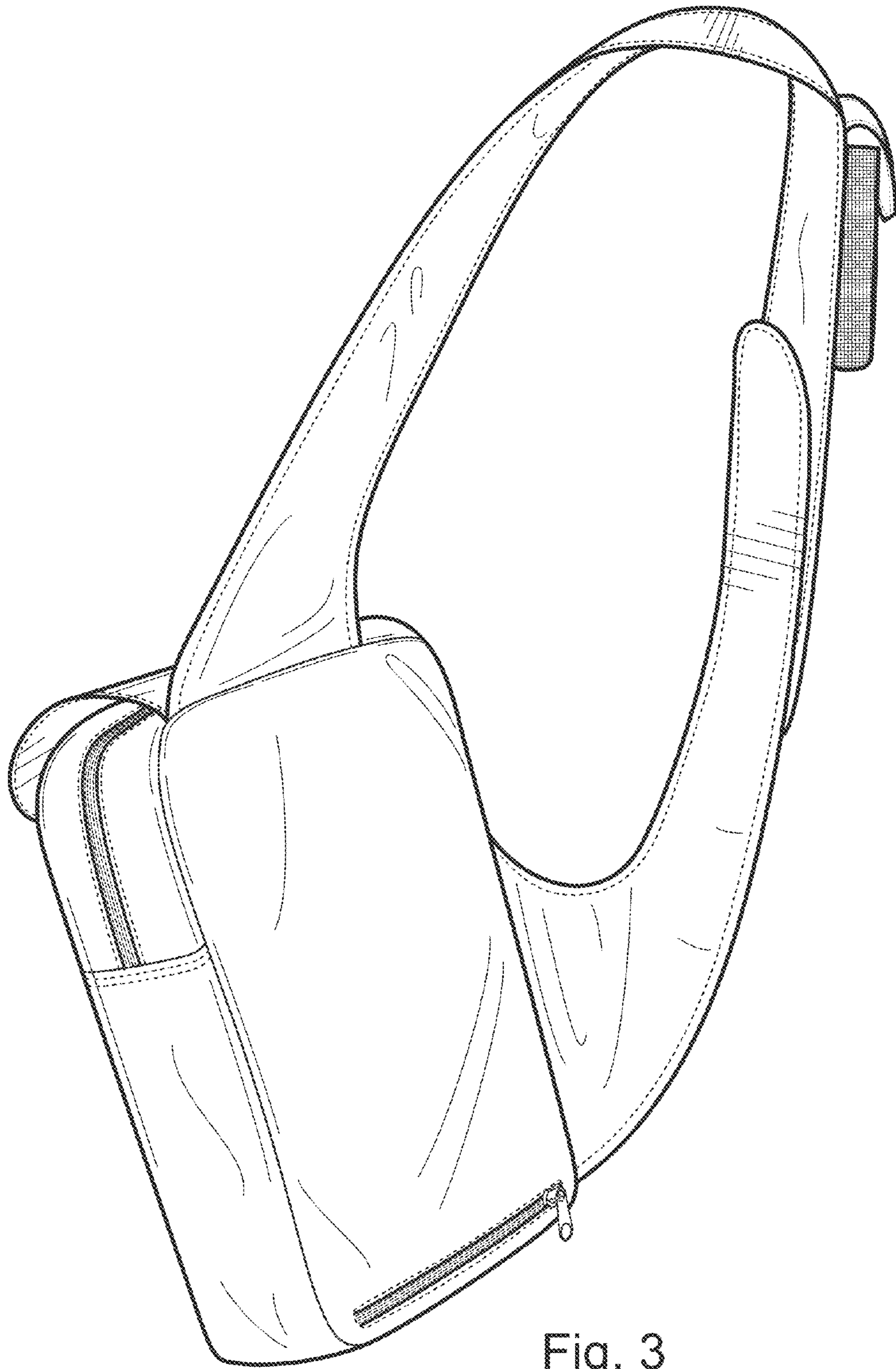


Fig. 3

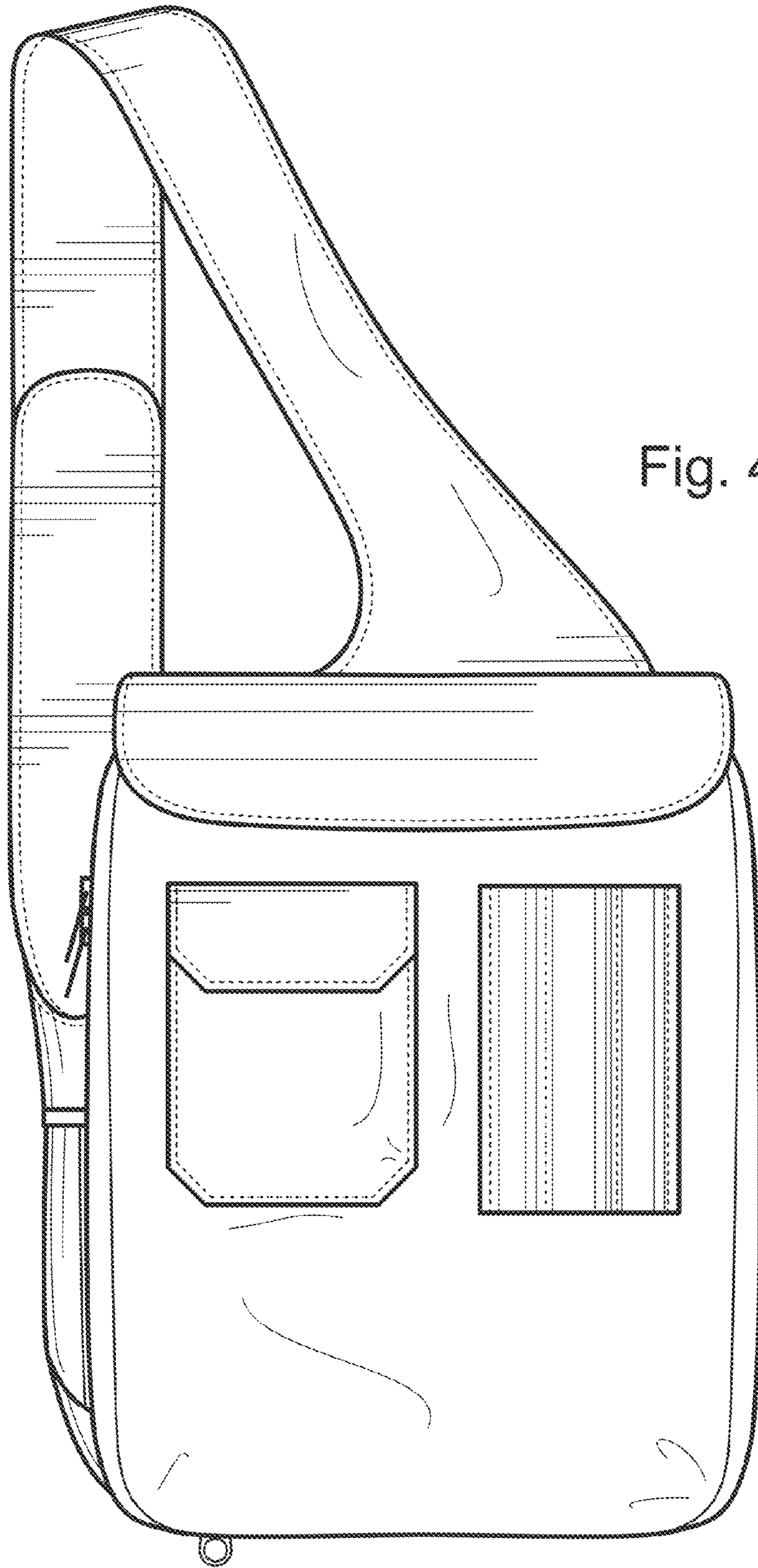
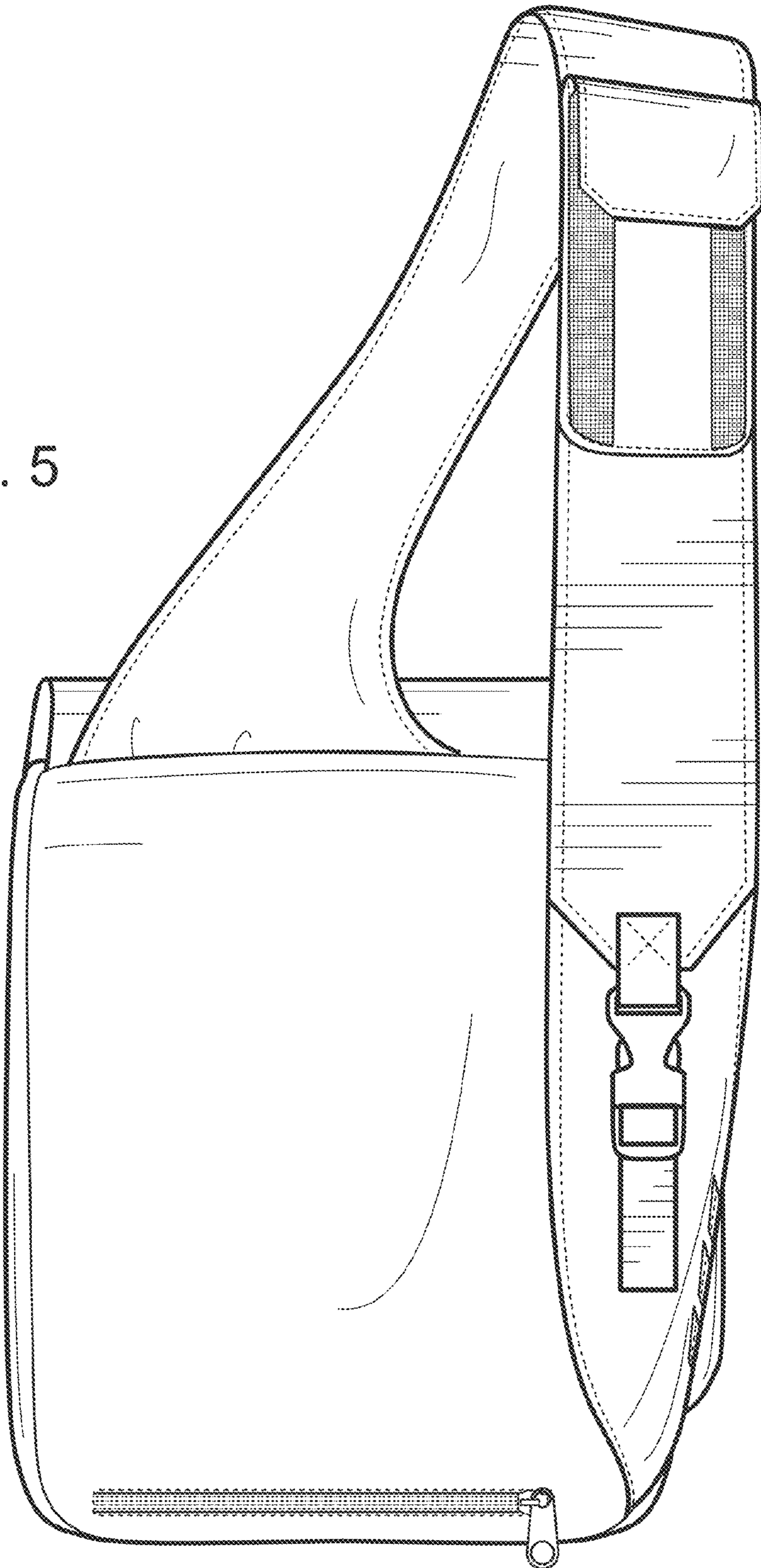


Fig. 4

Fig. 5



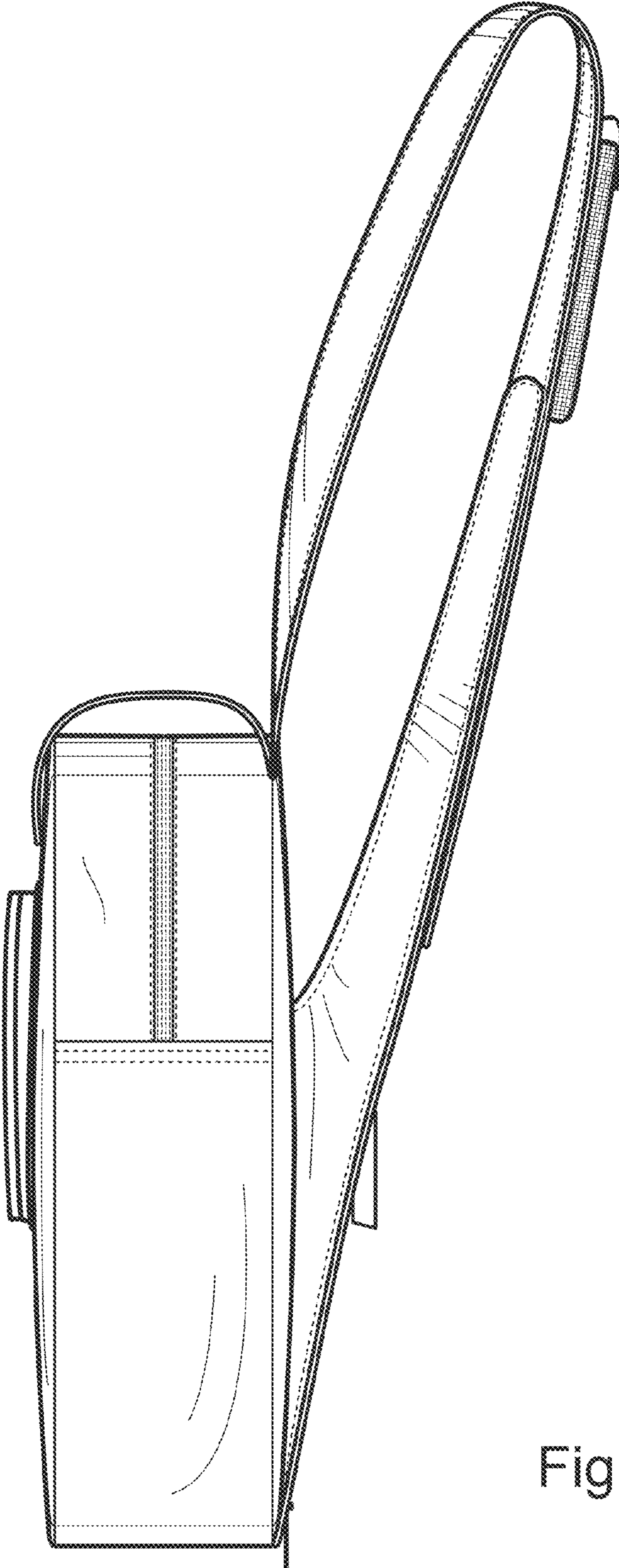


Fig. 6

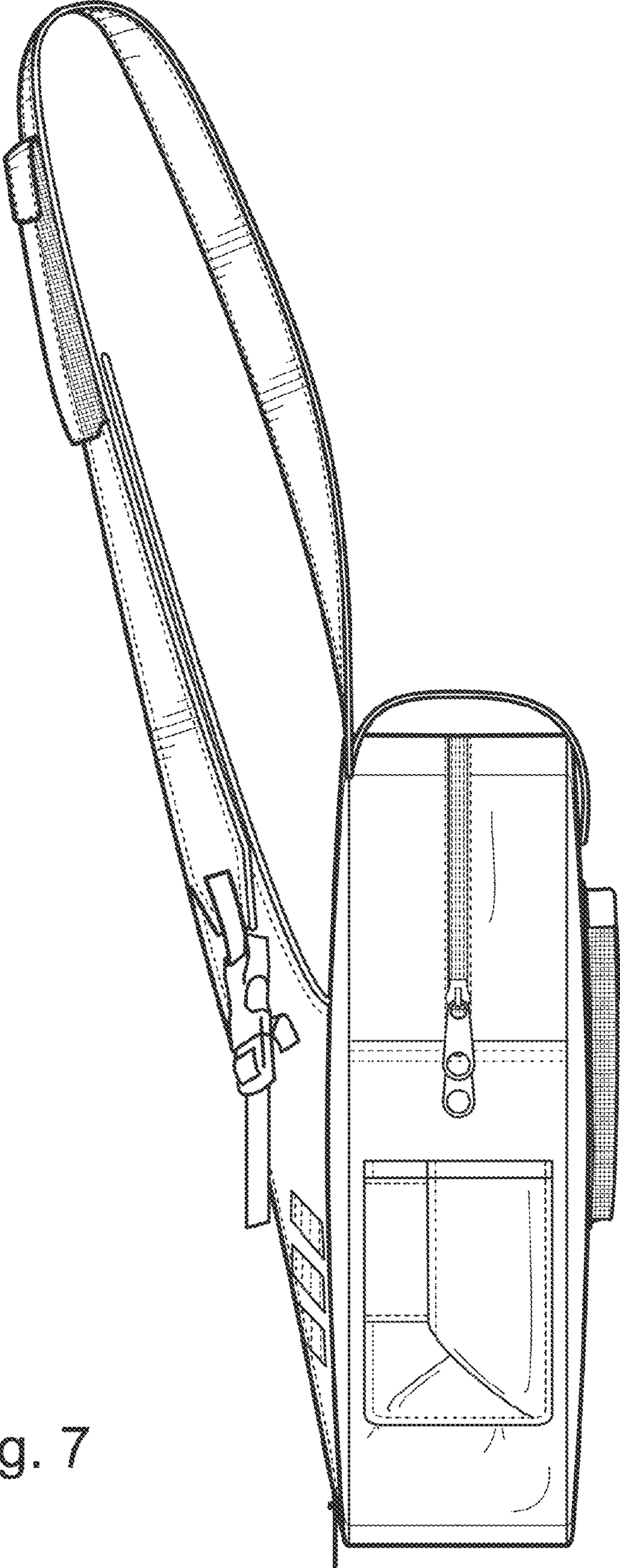


Fig. 7