



US00D703941S

(12) **United States Design Patent**
Gupta

(10) **Patent No.:** **US D703,941 S**

(45) **Date of Patent:** **** May 6, 2014**

(54) **BEAD POSITIONING TOOL**

(76) Inventor: **Nikhil Gupta**, Schaumburg, IL (US)

(**) Term: **14 Years**

(21) Appl. No.: **29/375,032**

(22) Filed: **Sep. 16, 2010**

Related U.S. Application Data

(63) Continuation-in-part of application No. 12/383,513, filed on Mar. 25, 2009.

(51) **LOC (10) Cl.** **03-01**

(52) **U.S. Cl.**
USPC **D3/18**

(58) **Field of Classification Search**
USPC D3/18-29; D4/138, 104; D8/107, 300;
223/101-104; 66/1 A, 116-118;
289/13, 16, 18.1; 112/110, 116, 78,
112/80.5; 156/247

See application file for complete search history.

(56) **References Cited**

U.S. PATENT DOCUMENTS

D345,776 S * 4/1994 Williams D21/793
D573,302 S * 7/2008 Donne D27/183
2006/0129187 A1 * 6/2006 Cho 606/210

* cited by examiner

Primary Examiner — John Windmuller

(74) *Attorney, Agent, or Firm* — Robert S. Alexander

(57) **CLAIM**

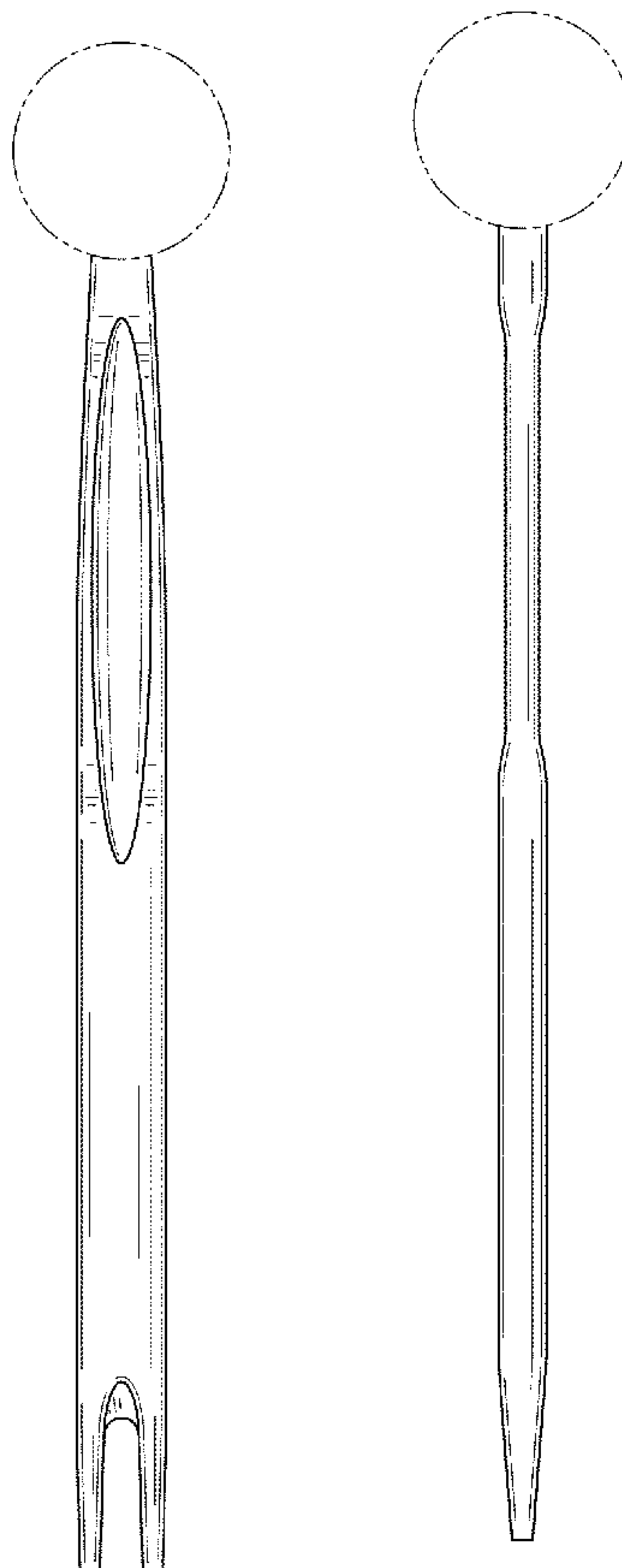
The ornamental design for a bead positioning tool, as shown and described.

DESCRIPTION

FIG. 1 is a perspective view of a bead positioning tool showing my new design;
FIG. 2 is a front plan view of the bead positioning tool of FIG. 1, the back plan view is identical;
FIG. 3 is a left side view of the bead positioning tool of FIG. 1, the right side view is identical;
FIG. 4 is a bottom end plan view of the bead positioning tool of FIG. 1; and,
FIG. 5 is a top end plan view of the bead positioning tool of FIG. 1.

The broken lines in the figures depict a portion of the bead positioning tool that forms no part of the claimed design.

1 Claim, 1 Drawing Sheet



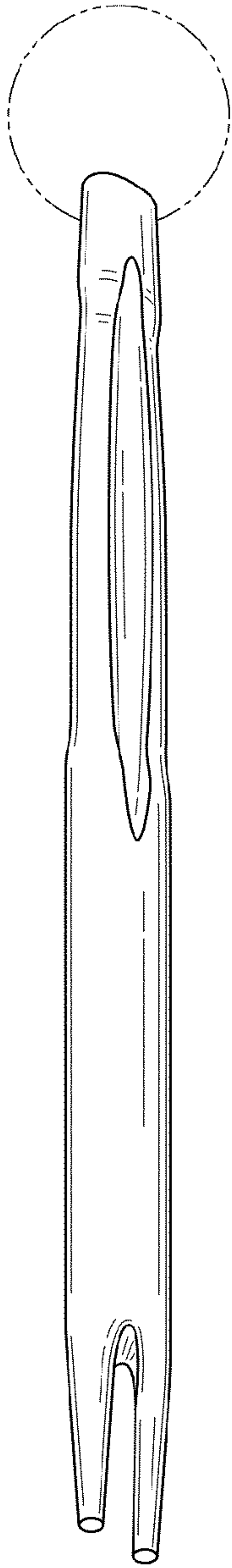


FIG. 1

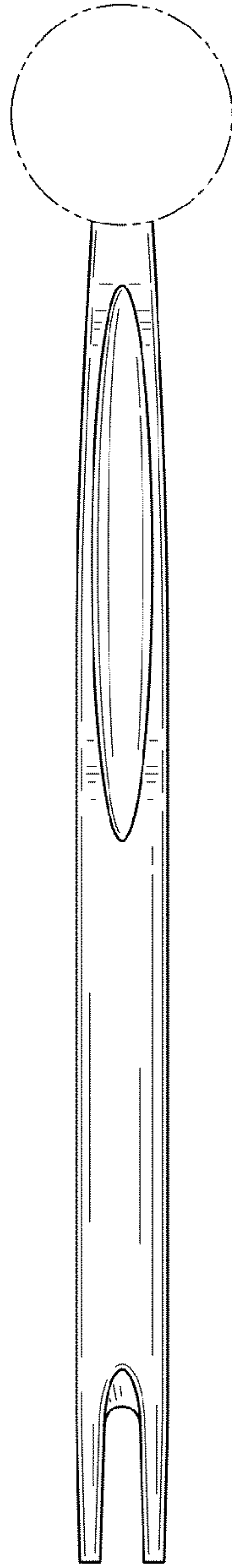


FIG. 2

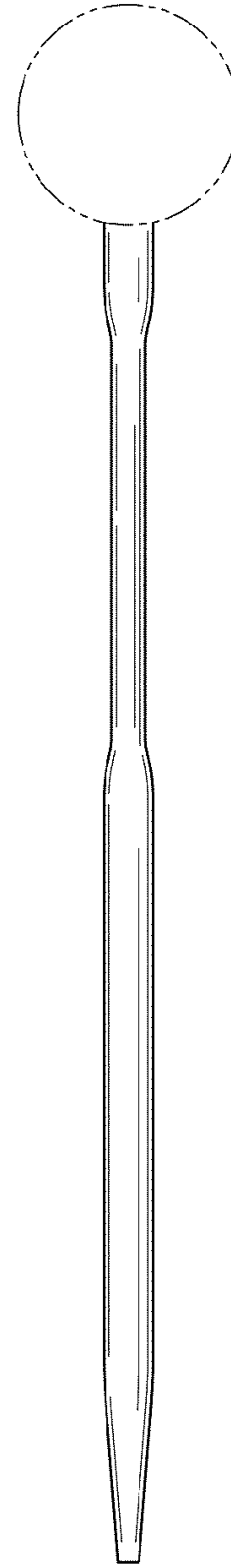


FIG. 3

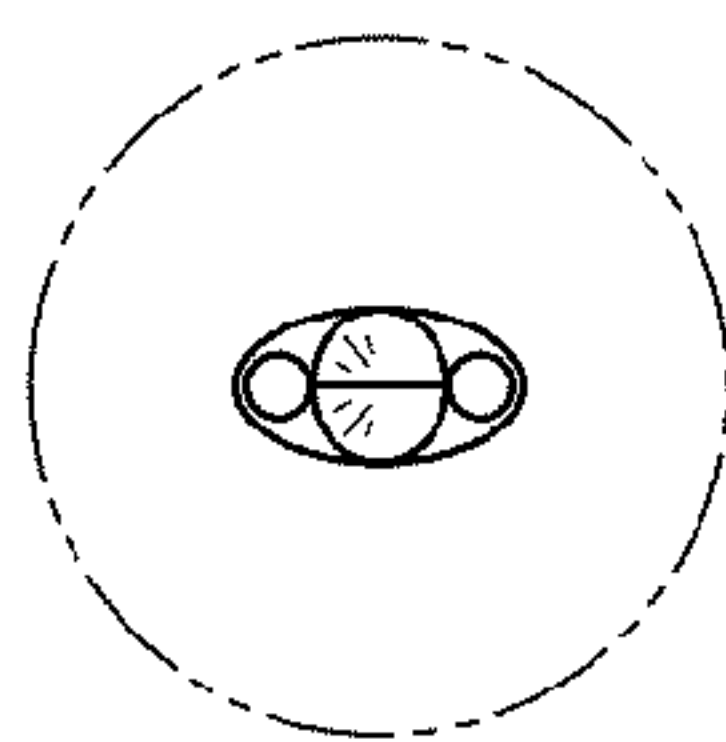


FIG. 4

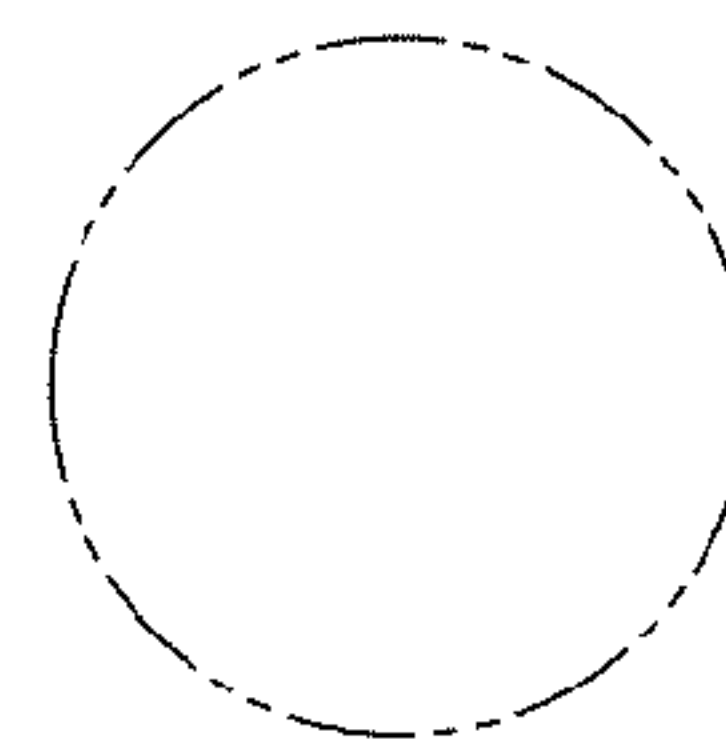


FIG. 5