



US00D703940S

(12) **United States Design Patent**  
**Akin et al.**

(10) **Patent No.:** **US D703,940 S**

(45) **Date of Patent:** **\*\* May 6, 2014**

(54) **UMBRELLA CAP**

(71) Applicant: **ZON**, Manhattan Beach, CA (US)

(72) Inventors: **Sarah Akin**, Manhattan Beach, CA (US); **David Johnson**, San Francisco, CA (US)

(73) Assignee: **ZON**, Manhattan Beach, CA (US)

(\*\*) Term: **14 Years**

(21) Appl. No.: **29/468,008**

(22) Filed: **Sep. 25, 2013**

(51) **LOC (10) Cl.** ..... **03-03**

(52) **U.S. Cl.**  
USPC ..... **D3/5; D3/10**

(58) **Field of Classification Search**  
USPC ..... **D3/5, 10; 135/15.1, 33.2, 20.1**  
See application file for complete search history.

(56) **References Cited**

**U.S. PATENT DOCUMENTS**

2,571,634	A	10/1951	Von Gunten
2,679,256	A	5/1954	Bocchino et al.
3,456,661	A	7/1969	Farley
4,193,389	A	3/1980	Ku
4,836,232	A	6/1989	De Rosa et al.
D345,645	S	4/1994	Good
D371,902	S	7/1996	Lee
6,830,058	B2	12/2004	Li
6,923,058	B2	8/2005	Nieman et al.
7,000,624	B2	2/2006	Chang

7,013,903	B2	3/2006	Li
7,562,667	B2	7/2009	Li
D623,844	S	9/2010	Elder
D637,389	S	5/2011	Beaulieu
D638,622	S	5/2011	He
D668,443	S	10/2012	Sims, II
8,360,079	B2	1/2013	Li
D684,353	S	6/2013	Grohs
2002/0078986	A1	6/2002	Tsun

*Primary Examiner* — John Windmuller

(74) *Attorney, Agent, or Firm* — Aka Chan LLP

(57) **CLAIM**

The ornamental design for an umbrella cap, as shown and described.

**DESCRIPTION**

This application incorporates by reference U.S. patent application Ser. No. 29/461,658, filed Jul. 26, 2013.

FIG. 1 shows a perspective view of a design for an umbrella cap.

FIG. 2 shows a first side view of FIG. 1.

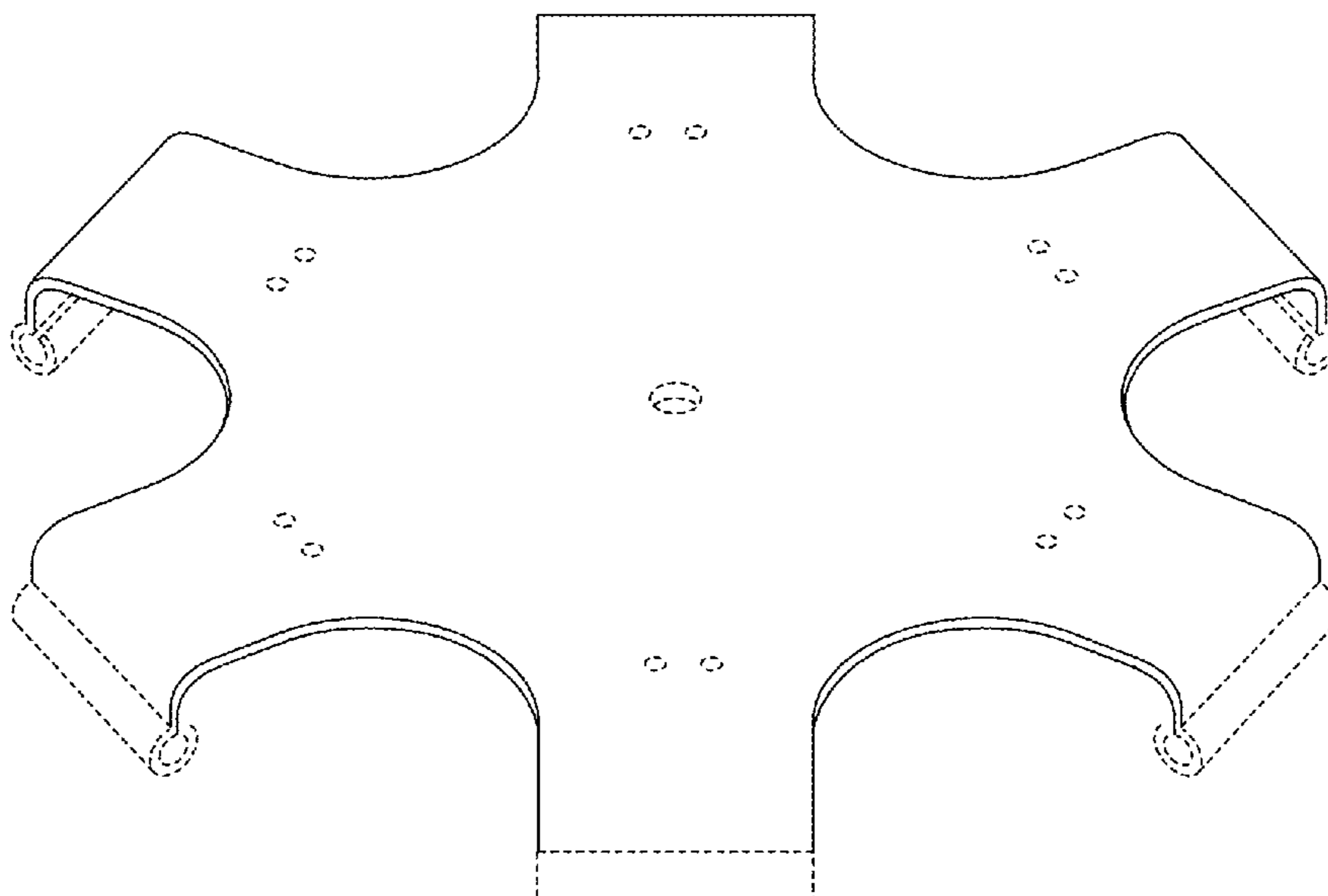
FIG. 3 shows a second side view of FIG. 1, rotated 1/12 of a turn (30 degrees) relative to the first side view in FIG. 2.

FIG. 4 shows a top view of FIG. 1; and,

FIG. 5 shows a perspective view of FIG. 1 in use in an umbrella.

The broken-line features in the figures are for illustrative purposes only and form no part of the claimed design. The umbrella in FIG. 5 is unclaimed environmental subject matter.

**1 Claim, 5 Drawing Sheets**



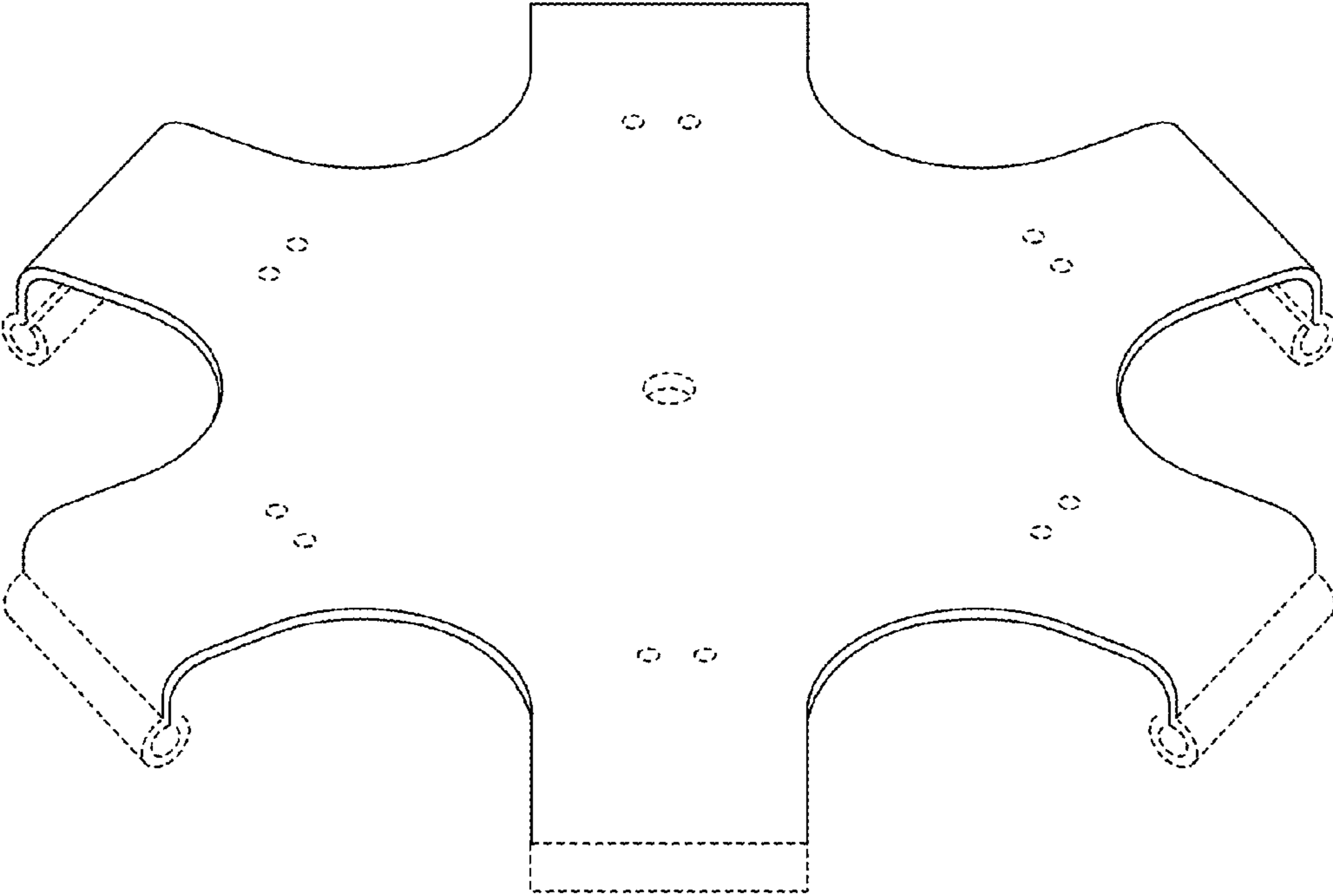


FIG. 1

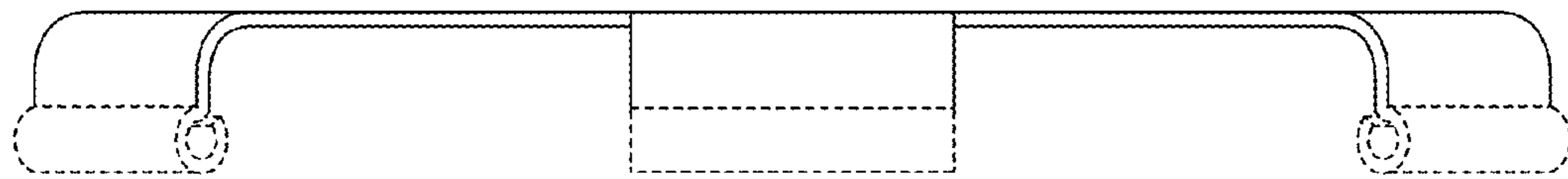


FIG. 2

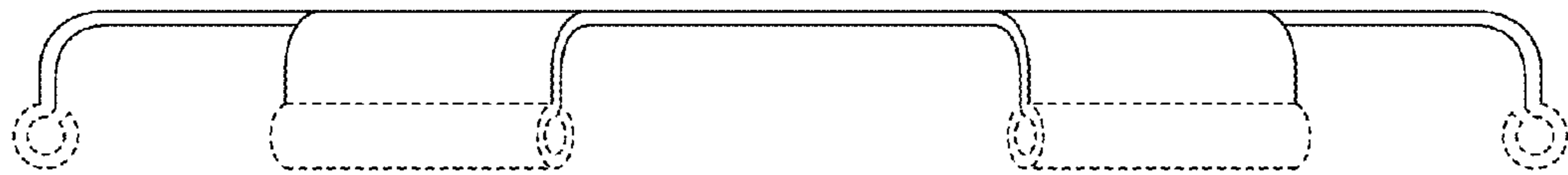


FIG. 3

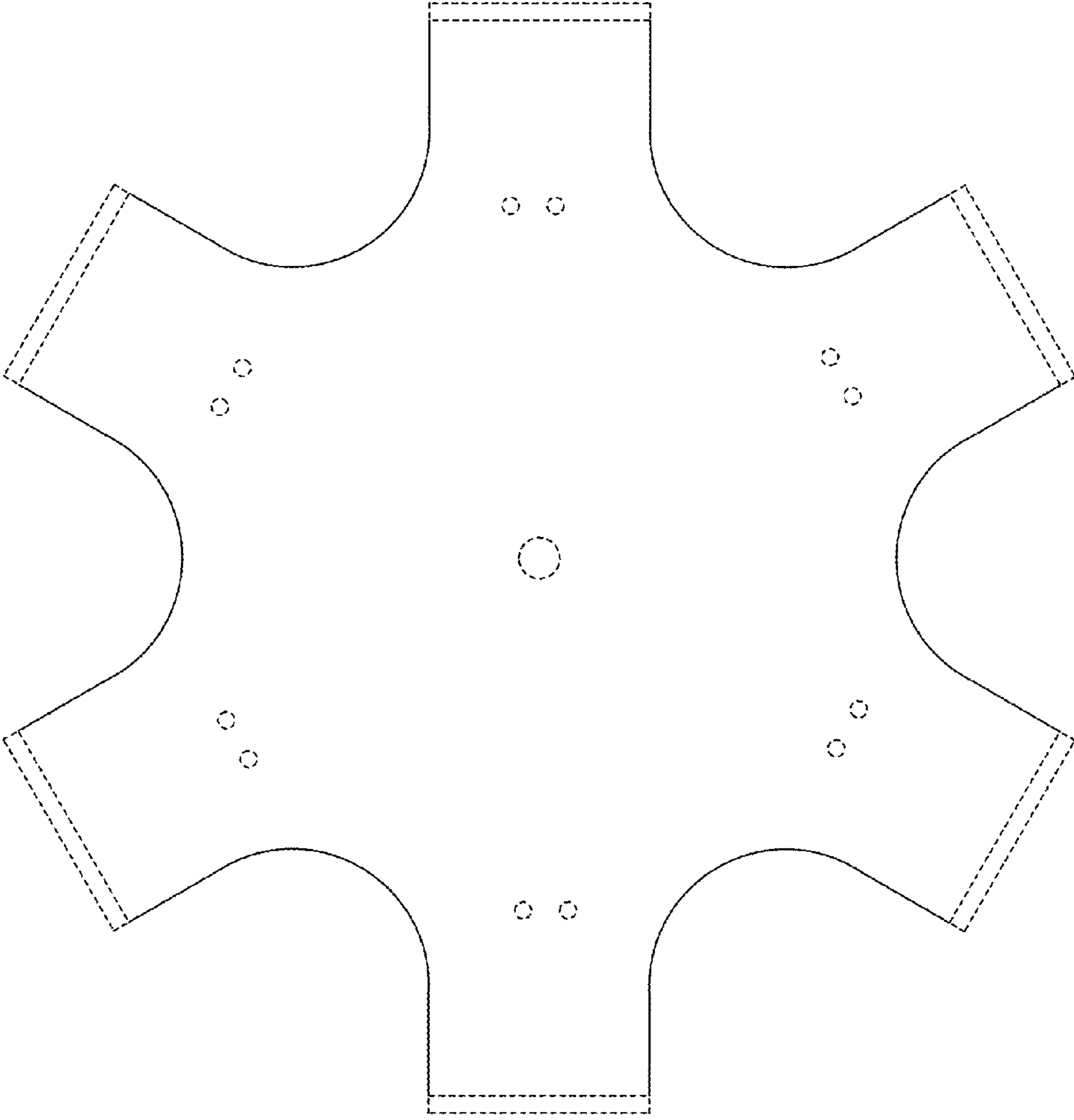


FIG. 4

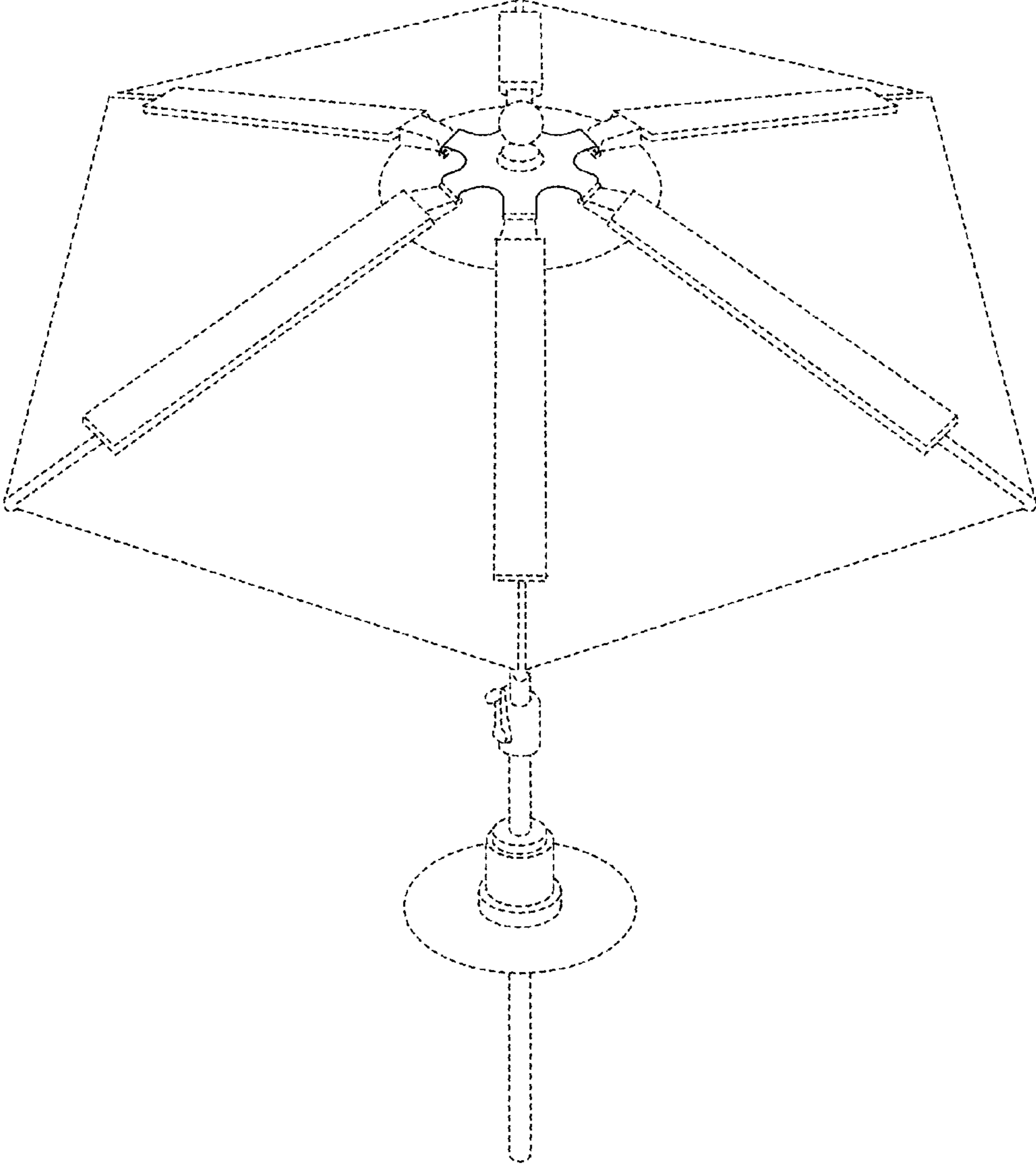


FIG. 5