



US00D703939S

(12) **United States Design Patent**
Akin et al.

(10) **Patent No.:** **US D703,939 S**
(45) **Date of Patent:** **** May 6, 2014**

(54) **UMBRELLA WITH SOLAR PANELS**

(71) Applicant: **ZON**, Manhattan Beach, CA (US)

(72) Inventors: **Sarah Akin**, Manhattan Beach, CA (US); **David Johnson**, San Francisco, CA (US)

(73) Assignee: **ZON**, Manhattan Beach, CA (US)

(**) Term: **14 Years**

(21) Appl. No.: **29/467,891**

(22) Filed: **Sep. 24, 2013**

Related U.S. Application Data

(62) Division of application No. 29/461,660, filed on Jul. 26, 2013, now Pat. No. Des. 693,561.

(51) **LOC (10) CL.** **03-03**

(52) **U.S. Cl.**
USPC **D3/5; D3/10; D13/102**

(58) **Field of Classification Search**
USPC **D3/5, 10; 135/15.1, 33.2, 20.1**
See application file for complete search history.

(56) **References Cited**

U.S. PATENT DOCUMENTS

1,397,789 A	11/1921	Stonestreet
D151,655 S	11/1948	Preaus
D248,042 S	5/1978	Ouelette
4,193,389 A	3/1980	Ku
4,527,721 A	7/1985	Goldstein
D336,982 S	7/1993	Johnson
D373,465 S	9/1996	Chipman
D373,467 S	9/1996	Chipman
D373,468 S	9/1996	Dubinsky
D396,741 S	8/1998	Vitali et al.

D443,409 S	6/2001	Pilz et al.
6,830,058 B2	12/2004	Li
6,923,058 B2	8/2005	Nieman et al.
7,000,624 B2	2/2006	Chang
7,013,903 B2	3/2006	Li
D530,269 S	10/2006	Fowler et al.
D561,460 S	2/2008	Peterson
7,562,667 B2	7/2009	Li
D600,200 S	9/2009	Dimov et al.
D668,443 S	10/2012	Sims, II
8,360,079 B2	1/2013	Li
D680,949 S	4/2013	Swatek
D681,548 S	5/2013	Zhang et al.
D688,621 S	8/2013	Mozzardi et al.

OTHER PUBLICATIONS

Solar Powered Umbrella with USB Ports Product Reference, Apr. 5, 2013, 17 pages.

Primary Examiner — John Windmuller

(74) *Attorney, Agent, or Firm* — Aka Chan LLP

(57) **CLAIM**

The ornamental design for an umbrella with solar panels, as shown and described.

DESCRIPTION

FIG. 1 shows a perspective view of a first embodiment of a design for an umbrella with solar panels.

FIG. 2 shows a top view of FIG. 1.

FIG. 3 shows a side view of FIG. 1.

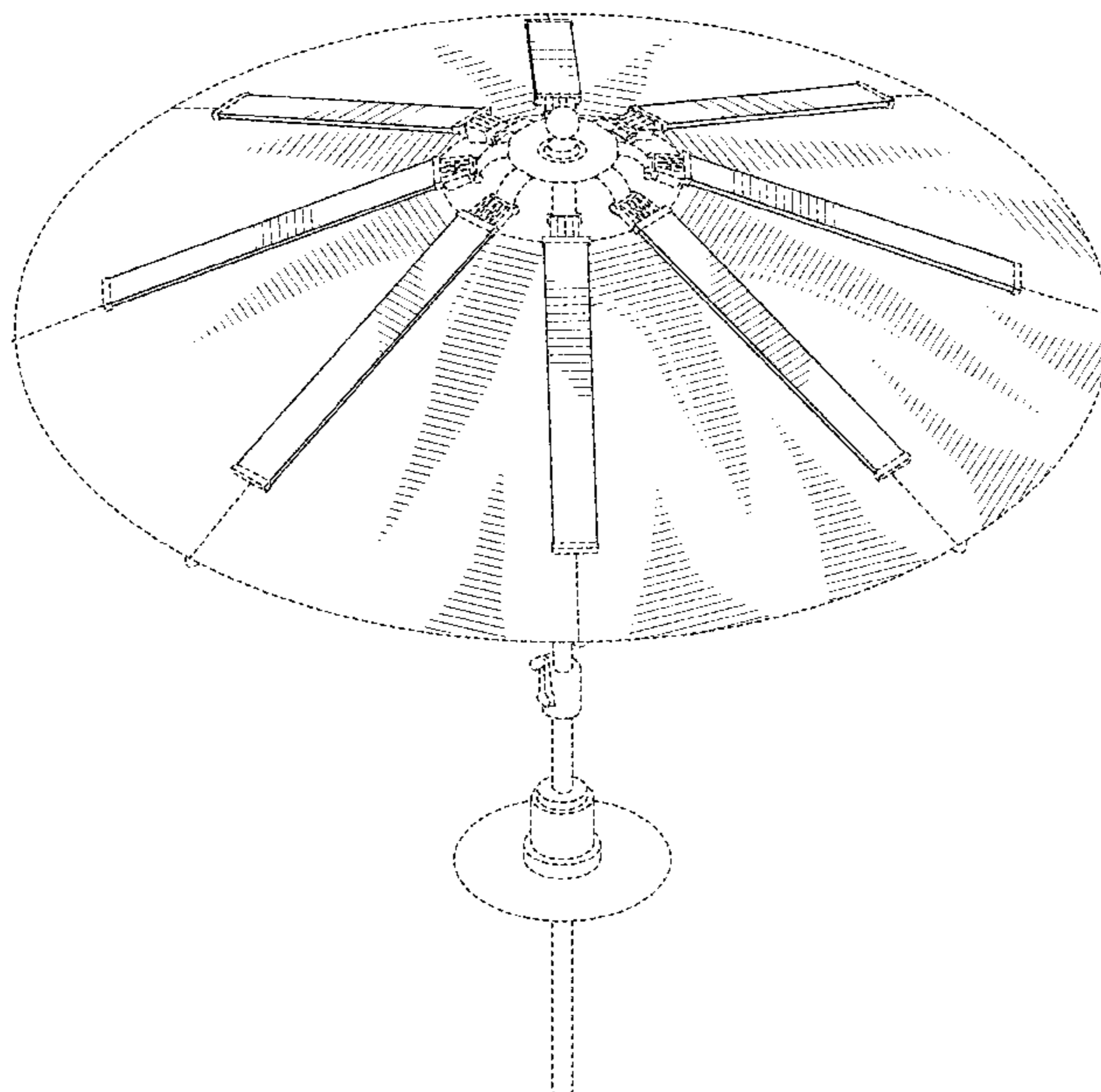
FIG. 4 shows a perspective view of a second embodiment of a design for an umbrella with solar panels.

FIG. 5 shows a top view of FIG. 4; and,

FIG. 6 shows a side view of FIG. 4.

The broken lines in the figures depict portions of the umbrella with solar panels that form no part of the claimed design.

1 Claim, 6 Drawing Sheets



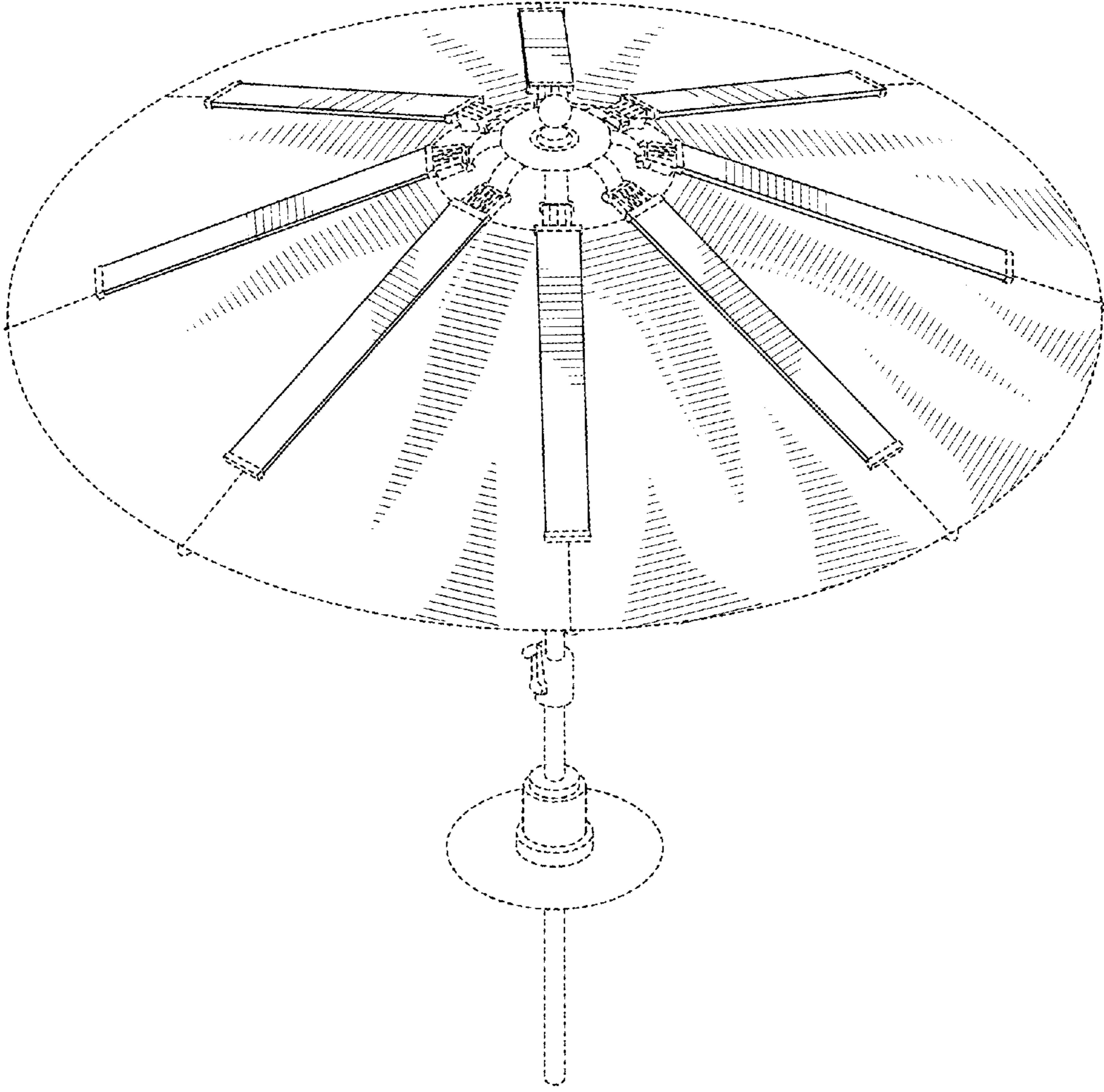


FIG. 1

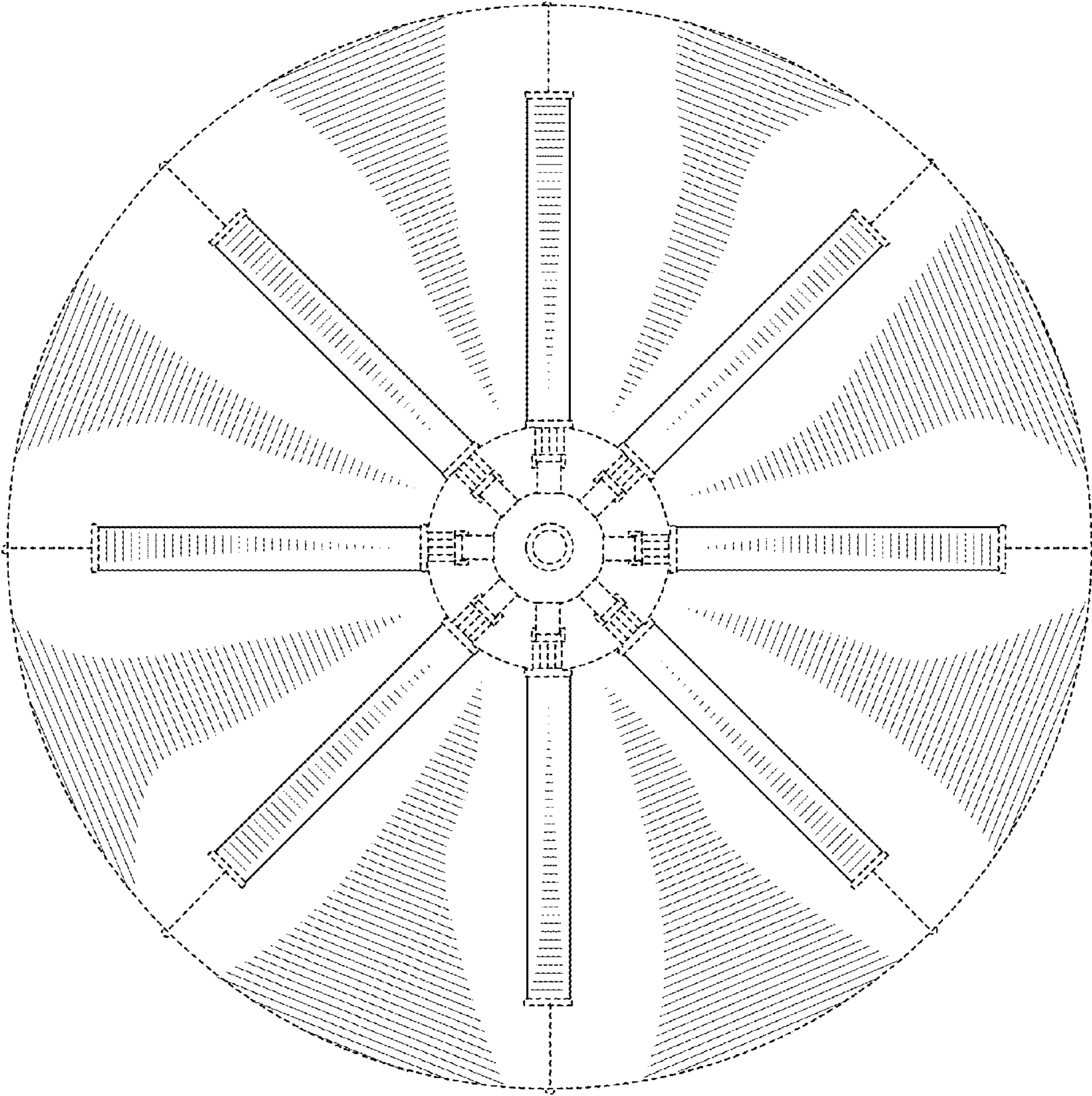


FIG. 2

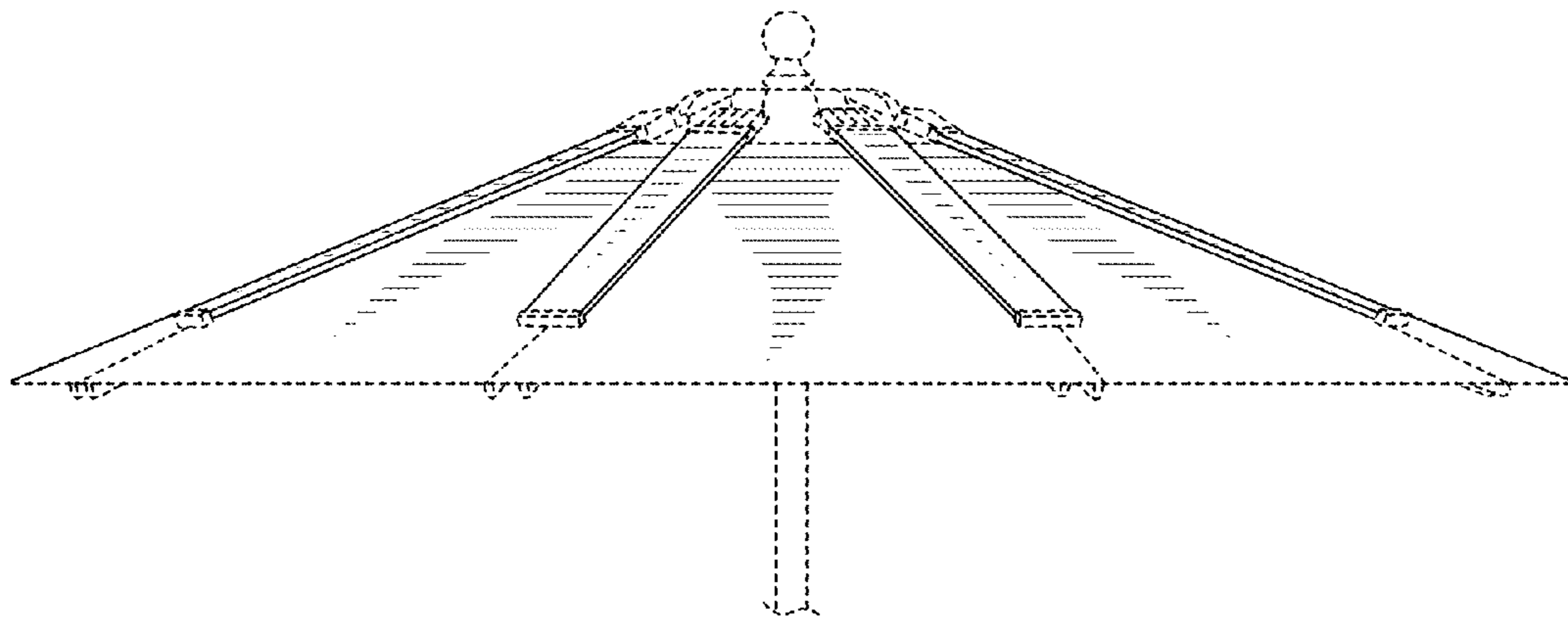


FIG. 3

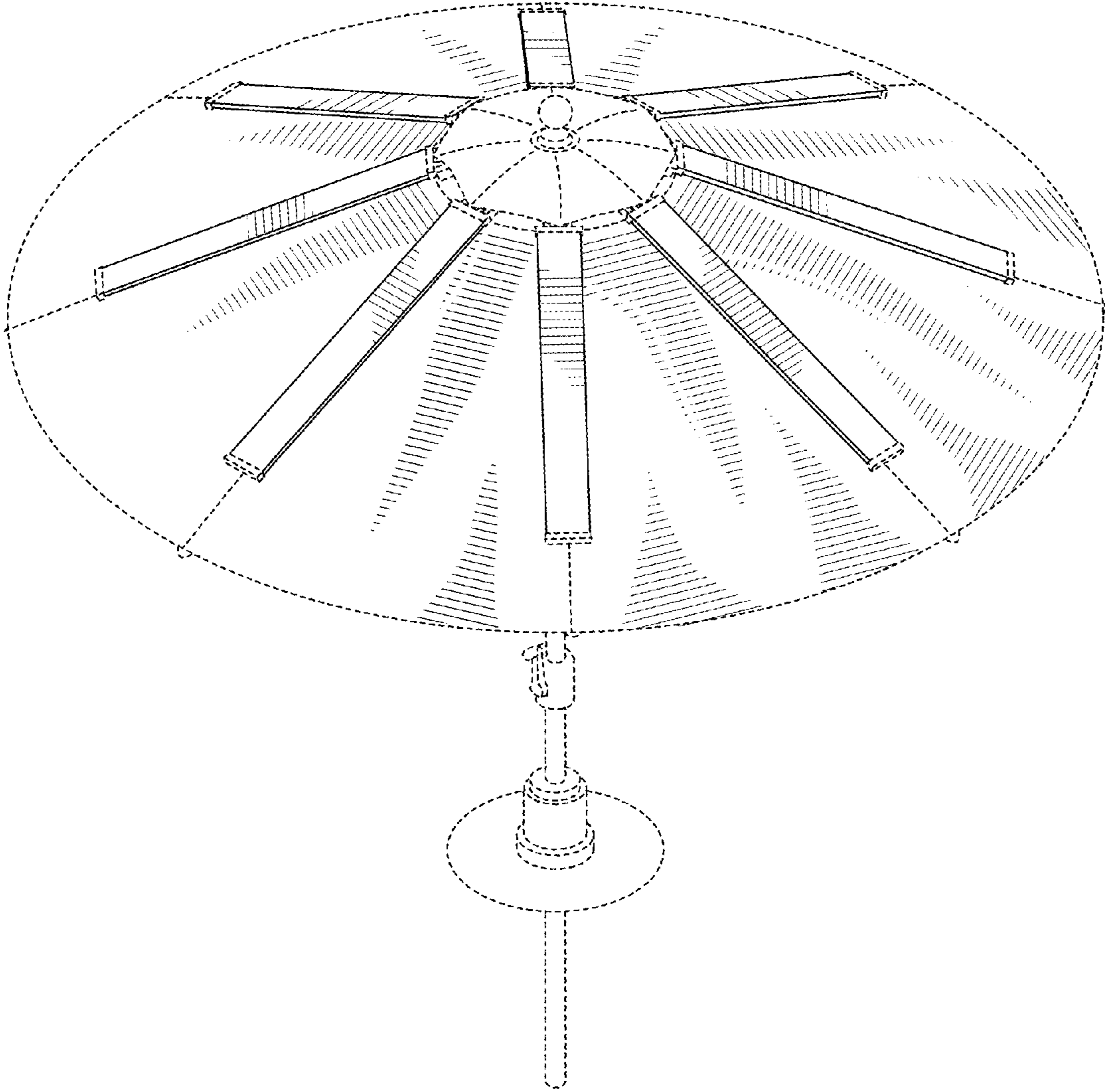


FIG. 4

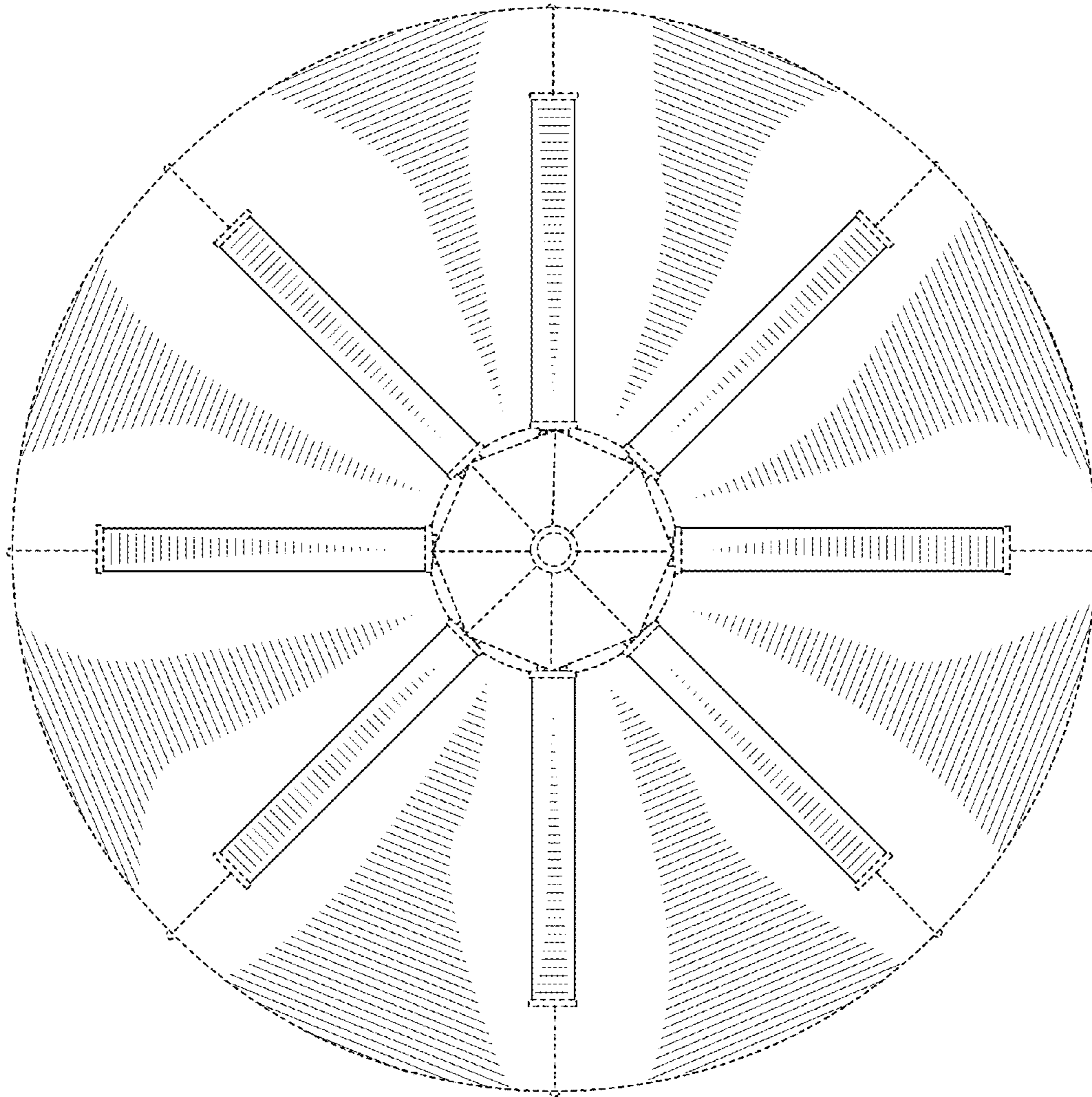


FIG. 5

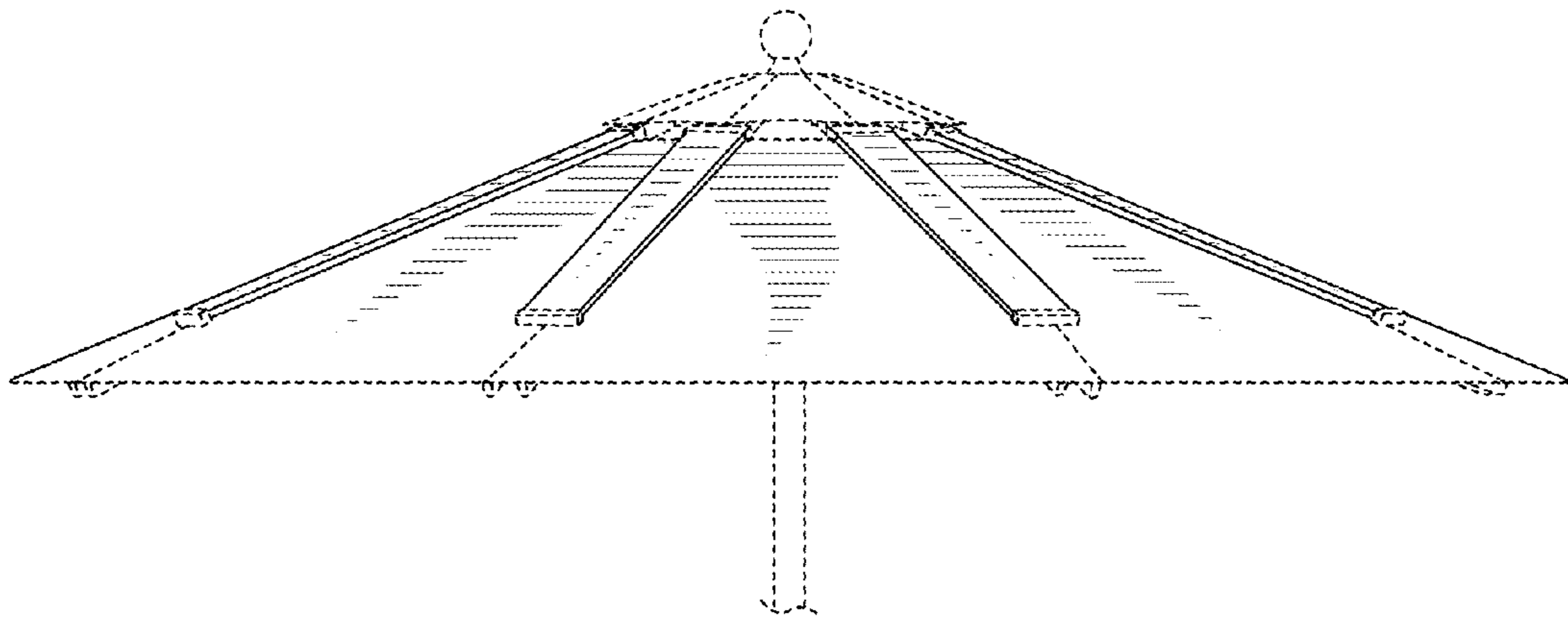


FIG. 6