



US00D703921S

(12) **United States Design Patent**
Reisler

(10) **Patent No.:** **US D703,921 S**

(45) **Date of Patent:** **** May 6, 2014**

(54) **JACKET**

(76) Inventor: **Yeriv Reisler**, Clonsilla (IE)

(**) Term: **14 Years**

(21) Appl. No.: **29/373,447**

(22) Filed: **Apr. 8, 2011**

(51) **LOC (10) Cl.** **02-02**

(52) **U.S. Cl.**
USPC **D2/828**

(58) **Field of Classification Search**
USPC D2/828, 839-841, 844, 847, 717, 741,
D2/750, 751, 755; 2/84, 90, 93, 95, 96,
2/106, 108, 113, 115
See application file for complete search history.

(56) **References Cited**

U.S. PATENT DOCUMENTS

D117,331	S	*	10/1939	Callahan	D29/101.1
D118,109	S	*	12/1939	Callahan	D29/101.1
D220,822	S	*	5/1971	De Wan	D2/828
5,189,737	A	*	3/1993	Ribicic	2/93
5,297,295	A	*	3/1994	Barbeau et al.	2/96
D356,883	S	*	4/1995	Ganahl	D2/830
D387,190	S	*	12/1997	Garcia	D2/835
5,933,865	A	*	8/1999	Aldridge	2/81
38,777	A1	*	1/2006	Grilliot et al.	2/69
7,058,982	B2	*	6/2006	Atallah et al.	2/102
D531,783	S	*	11/2006	Collier	D2/828
D588,783	S	*	3/2009	Olstorn	D2/828
D595,481	S	*	7/2009	Pressley	D2/841
D620,231	S	*	7/2010	Parker	D2/828
D633,690	S	*	3/2011	Tronvold	D2/828
D639,023	S	*	6/2011	Iamartino et al.	D2/828
D648,924	S	*	11/2011	Propst	D2/828
D662,282	S	*	6/2012	Meunier-Bouchard	D2/828
D679,072	S	*	4/2013	Abbevik et al.	D2/828
2004/0143880	A1	*	7/2004	Clark et al.	2/69
2008/0028502	A1	*	2/2008	Thriot	2/455
2008/0040832	A1	*	2/2008	Bay	2/93

OTHER PUBLICATIONS

“Altura Night Vision Vest,” Cycle SuperStore, Nov. 21, 2007, accessed Oct. 7, 2011, <http://web.archive.org/web/20071121220743/http://www.cyclesuperstore.ie/shop/pc/viewPrd.asp?idproduct=8328>, 1 page.

* cited by examiner

Primary Examiner — Ian Simmons

Assistant Examiner — Carissa C Fitts

(74) *Attorney, Agent, or Firm* — Withrow & Terranova, P.L.L.C.

(57) **CLAIM**

The ornamental design for jacket, as shown and described.

DESCRIPTION

The file of this patent contains at least one drawing executed in color. Copies of this patent with color drawings will be provided by the Office upon request and payment of the necessary fee.

FIG. 1 is a left perspective view of a jacket;
FIG. 2 is a front view of the jacket in FIG. 1;
FIG. 3 is a rear view of the jacket in FIG. 1;
FIG. 4 is a left-side view of the jacket in FIG. 1;
FIG. 5 is a right-side view of the jacket in FIG. 1;
FIG. 6 is a top view of the jacket in FIG. 1;
FIG. 7 is a bottom view of the jacket in FIG. 1; and,
FIG. 8 is a rear open view of the jacket in FIG. 1.

The broken lines in the drawings, including the reflective strips outlined in broken lines in the drawings, are for illustrative purposes only and do not form part of the claimed design.

1 Claim, 6 Drawing Sheets
(6 of 6 Drawing Sheet(s) Filed in Color)

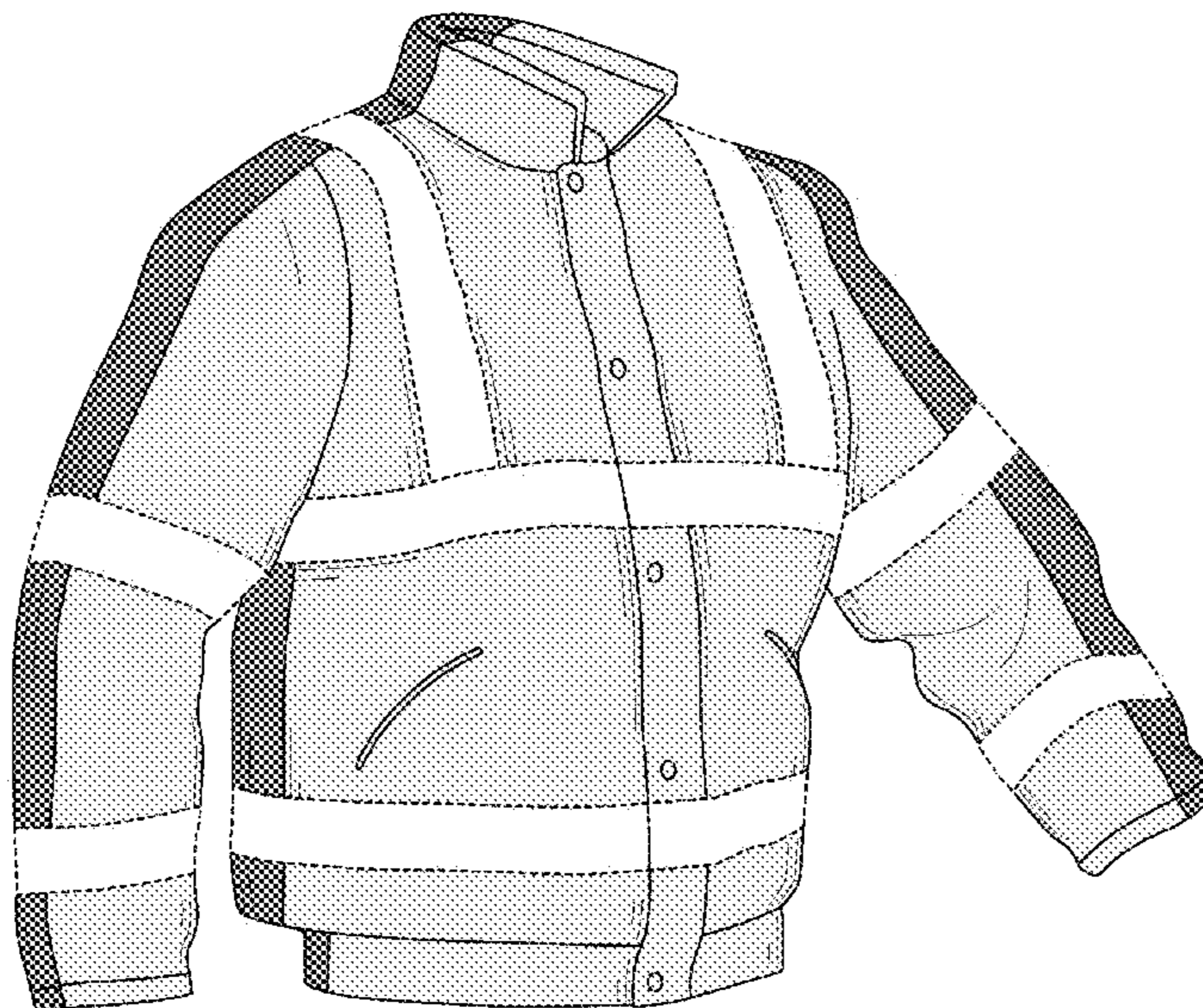




FIG. 1



FIG. 2



FIG. 3

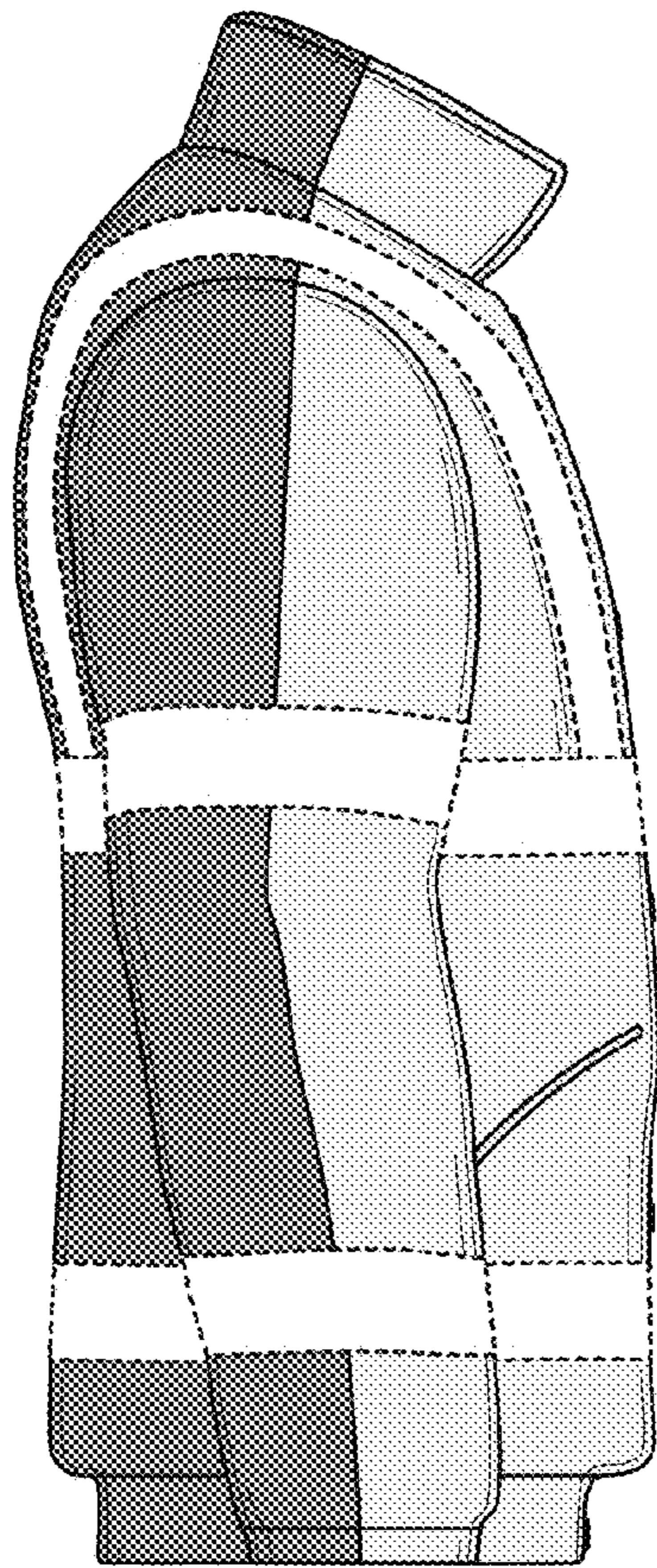


FIG. 4

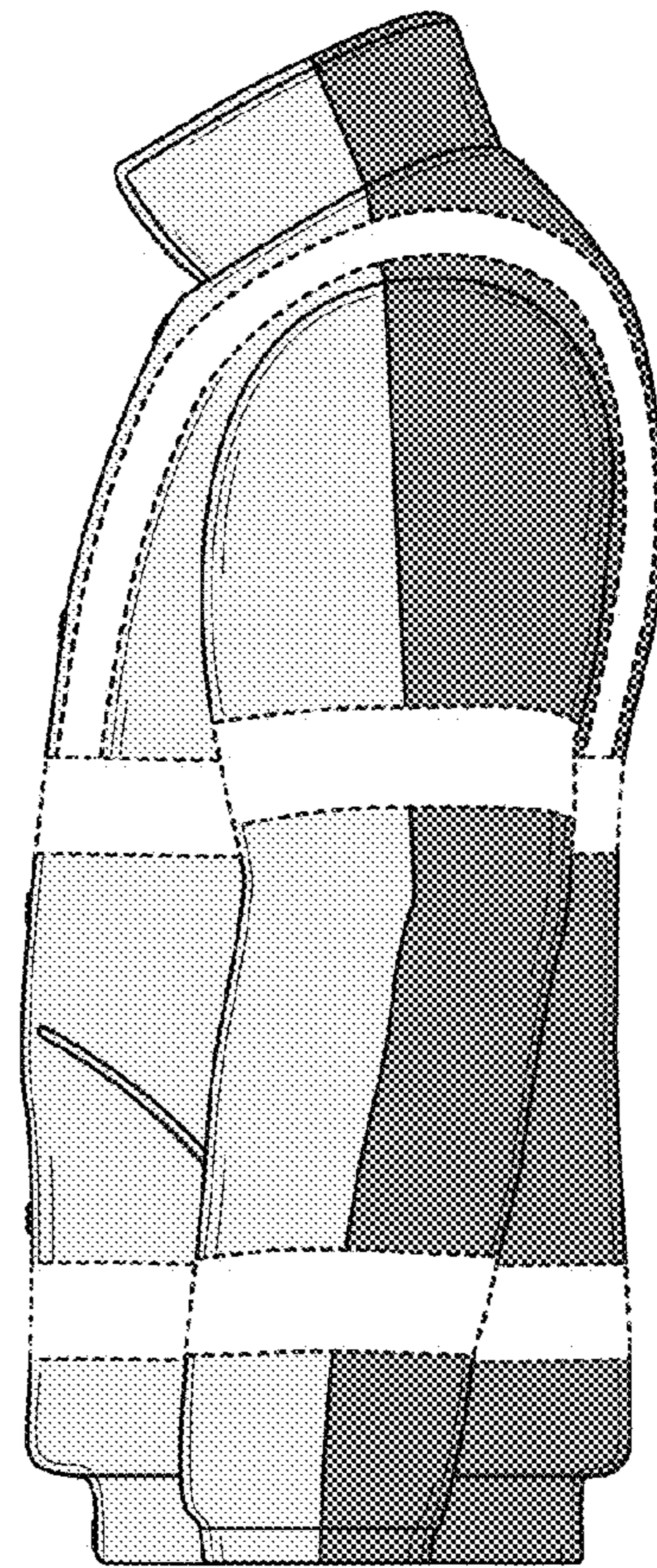


FIG. 5

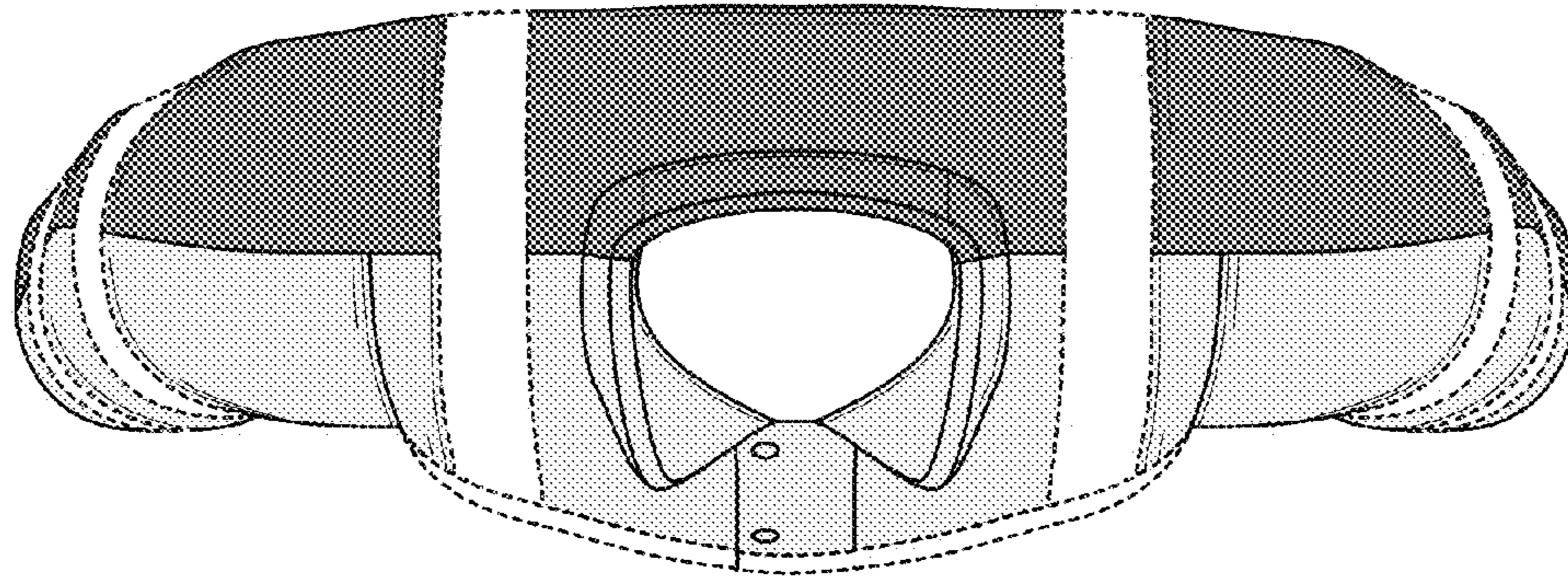


FIG. 6

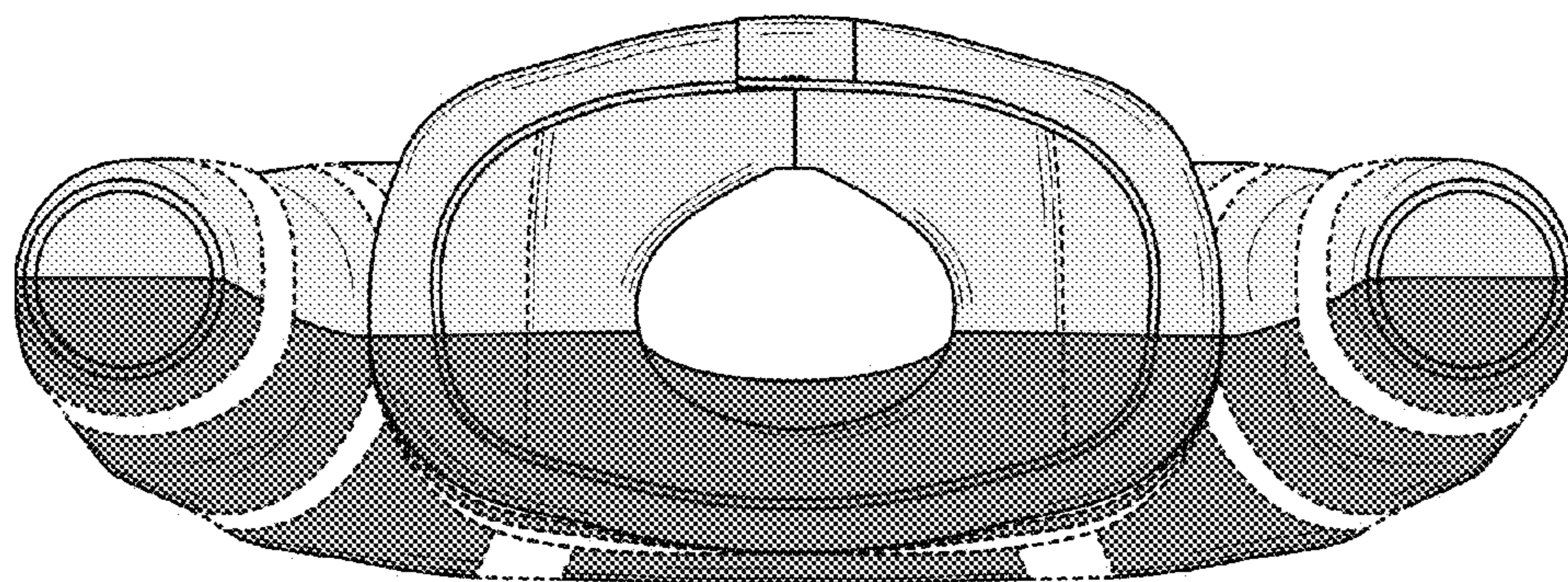


FIG. 7

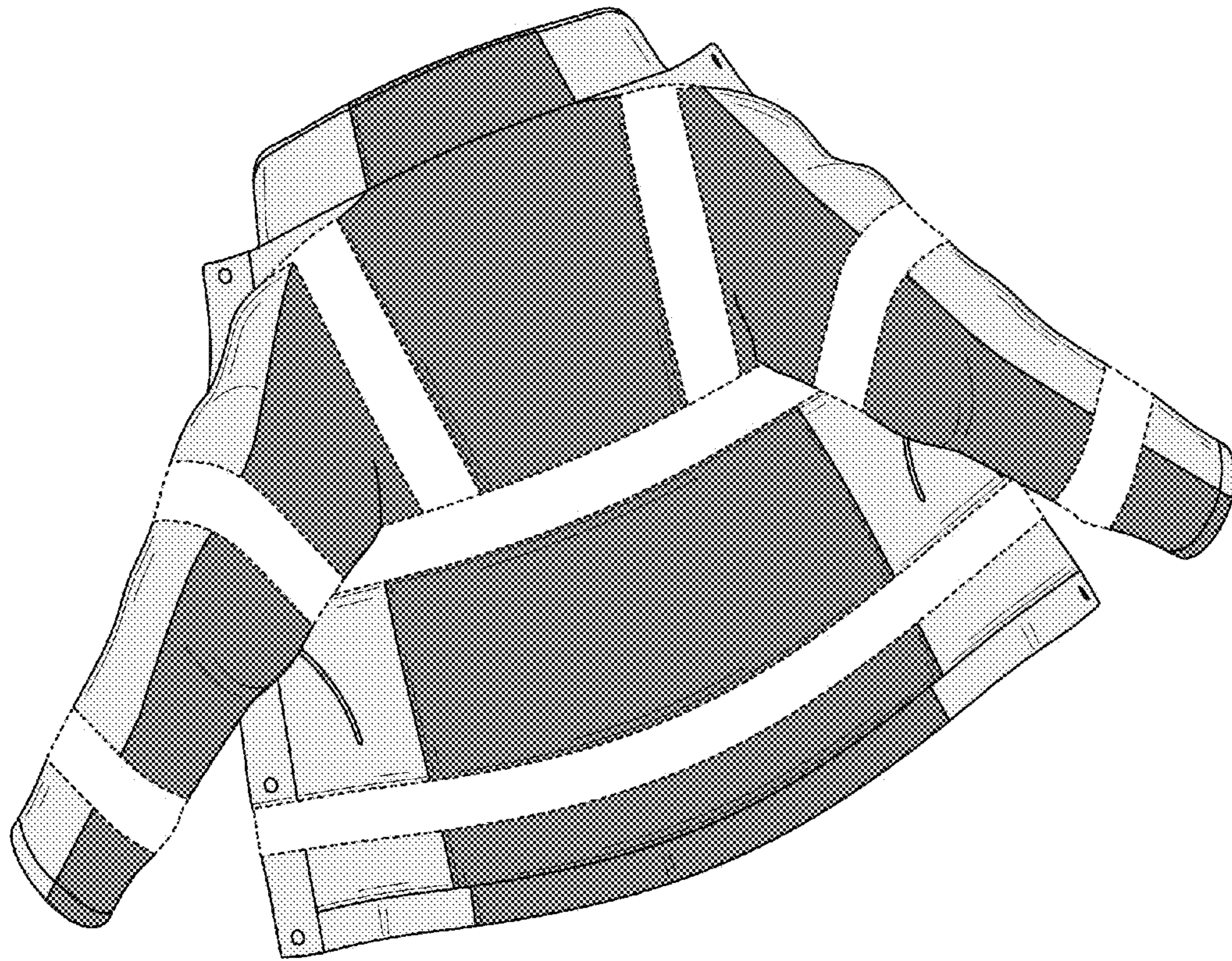


FIG. 8