



US00D703918S

(12) **United States Design Patent**
Rodgers et al.

(10) **Patent No.:** **US D703,918 S**

(45) **Date of Patent:** **** May 6, 2014**

(54) **SET OF CONFECTIONARY ARTICLES**

(75) Inventors: **Mark Rodgers**, New York, NY (US);
Ruth Waddingham, New York, NY
(US)

(73) Assignee: **Intercontinental Great Brands LLC**,
East Hanover, NJ (US)

(**) Term: **14 Years**

(21) Appl. No.: **29/403,044**

(22) Filed: **Sep. 30, 2011**

(51) **LOC (10) Cl.** **01-01**

(52) **U.S. Cl.**
USPC **D1/127**

(58) **Field of Classification Search**
USPC D1/100–130, 199; D24/101, 102;
426/3, 5, 87, 92, 103, 104, 129, 138,
426/144, 249, 383, 512, 516, 660, 808;
D25/113, 119, 121–132; D21/499;
D5/55–58, 62

See application file for complete search history.

(56) **References Cited**

U.S. PATENT DOCUMENTS

D53,514 S *	7/1919	Migel	D5/62
D82,203 S *	9/1930	Winter	D5/62
D148,602 S *	2/1948	Bemis	D1/121
D266,030 S *	9/1982	Madonia	D1/121
4,446,159 A *	5/1984	Roth	426/249
D283,460 S *	4/1986	Thomassen et al.	D1/121
D321,597 S *	11/1991	Cerny	D5/55

(Continued)

Primary Examiner — Deanna L Pratt
Assistant Examiner — Katie Mroczka

(74) *Attorney, Agent, or Firm* — Cantor Colburn LLP

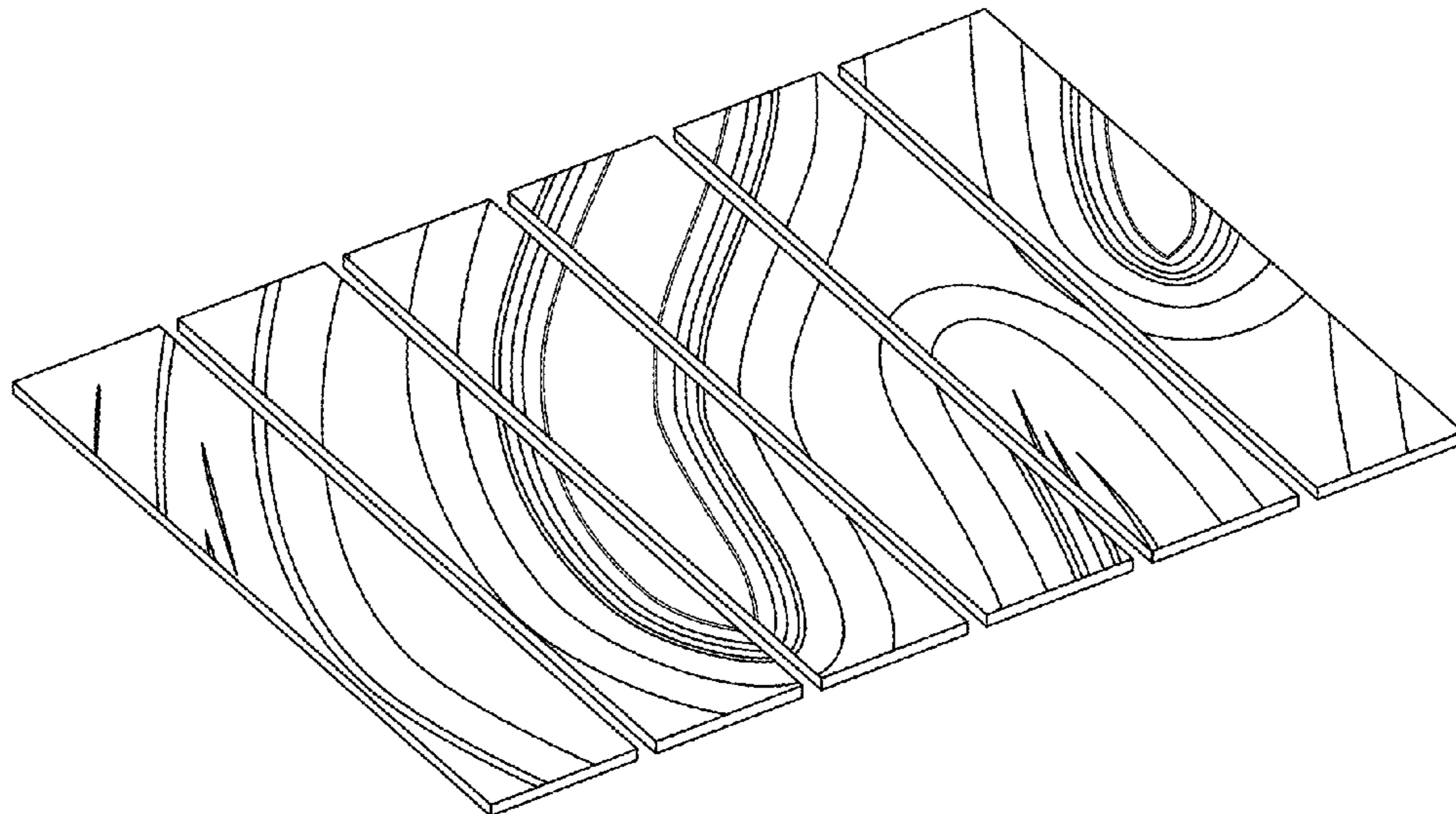
(57) **CLAIM**

We claim, the ornamental design for a set of confectionary articles, as shown and described.

DESCRIPTION

FIG. 1 is a perspective view of a set of confectionary articles, showing our new design in an exemplary embodiment;
 FIG. 2 is a side elevation view of the embodiment shown in FIG. 1, the opposite side view being a mirror image thereof;
 FIG. 3 is a top plan view of the embodiment shown in FIG. 1, the bottom view being a mirror image thereof;
 FIG. 4 is a front elevation view of the embodiment shown in FIG. 1, the back view being a mirror image thereof;
 FIG. 5 is a perspective view of a set of confectionary articles, showing our new design in an exemplary embodiment;
 FIG. 6 is a side elevation view of the embodiment shown in FIG. 5, the opposite side view being a mirror image thereof;
 FIG. 7 is a top plan view of the embodiment shown in FIG. 5;
 FIG. 8 is a bottom plan view of the embodiment shown in FIG. 5;
 FIG. 9 is a front elevation view of the embodiment shown in FIG. 5, the back view being a mirror image thereof;
 FIG. 10 is a perspective view of a set of confectionary articles, showing our new design in an exemplary embodiment;
 FIG. 11 is a side elevation view of the embodiment shown in FIG. 10, the opposite side view being a mirror image thereof;
 FIG. 12 is a top plan view of the embodiment shown in FIG. 10;
 FIG. 13 is a bottom plan view of the embodiment shown in FIG. 10; and,
 FIG. 14 is a front elevation view of the embodiment shown in FIG. 10, the back view being a mirror image thereof.
 References to “side,” “top,” “bottom,” “front,” and “back” in the Figure Descriptions are not necessarily meant to require any specific orientation of the article as viewed.

1 Claim, 6 Drawing Sheets



US D703,918 S

Page 2

(56)

References Cited

U.S. PATENT DOCUMENTS

D426,935 S * 6/2000 Zaug et al. D1/199
D431,891 S * 10/2000 Zhang et al. D1/121
D579,213 S * 10/2008 Aipa D5/53
D619,776 S * 7/2010 Wilson et al. D1/121

D636,186 S * 4/2011 Aipa D5/53
D645,256 S * 9/2011 Aipa D5/53
D647,277 S * 10/2011 Bruyea et al. D1/127
D655,068 S * 3/2012 Bruyea et al. D1/127
D678,685 S * 3/2013 Kase et al. D5/56

* cited by examiner

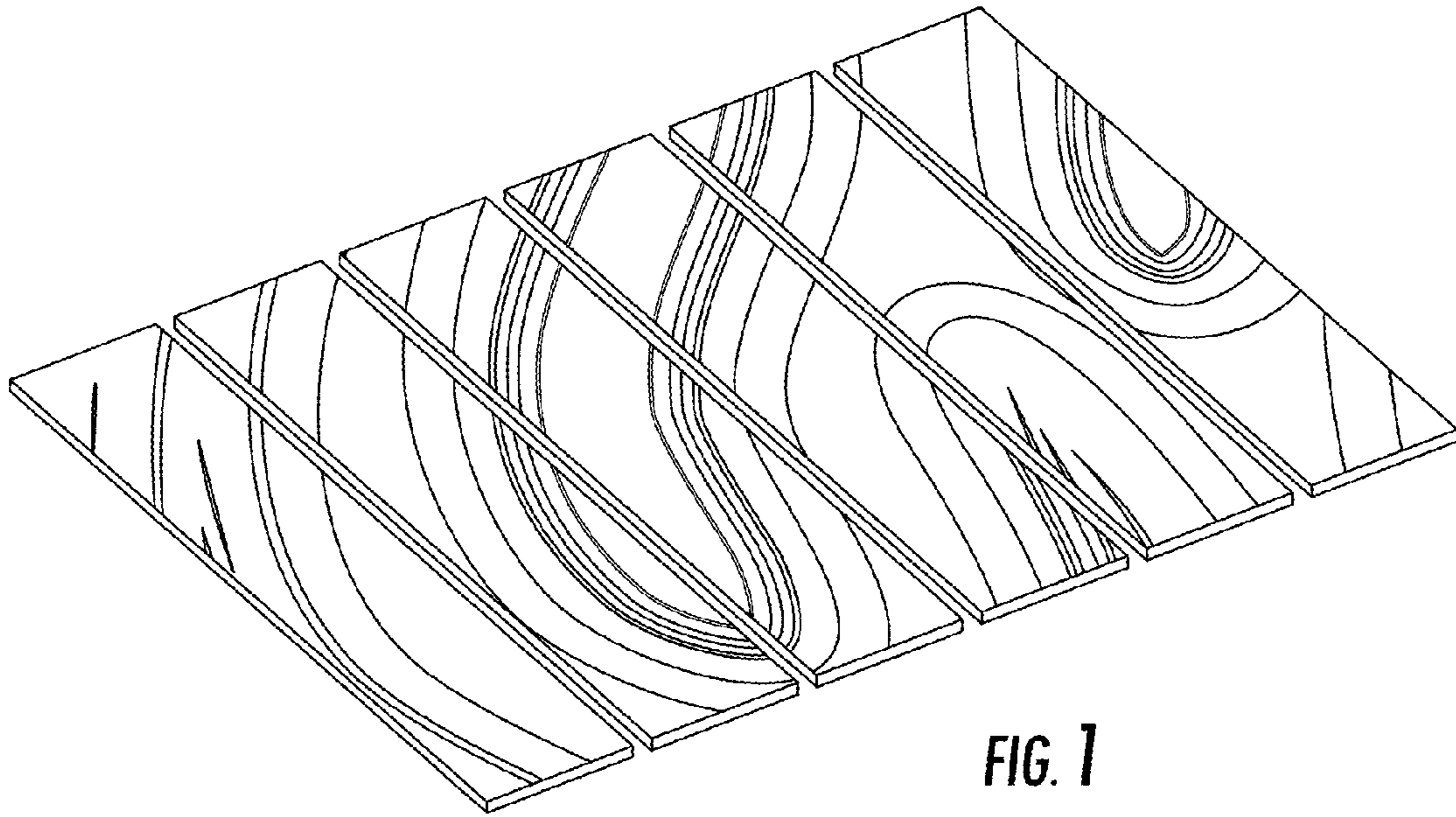


FIG. 2

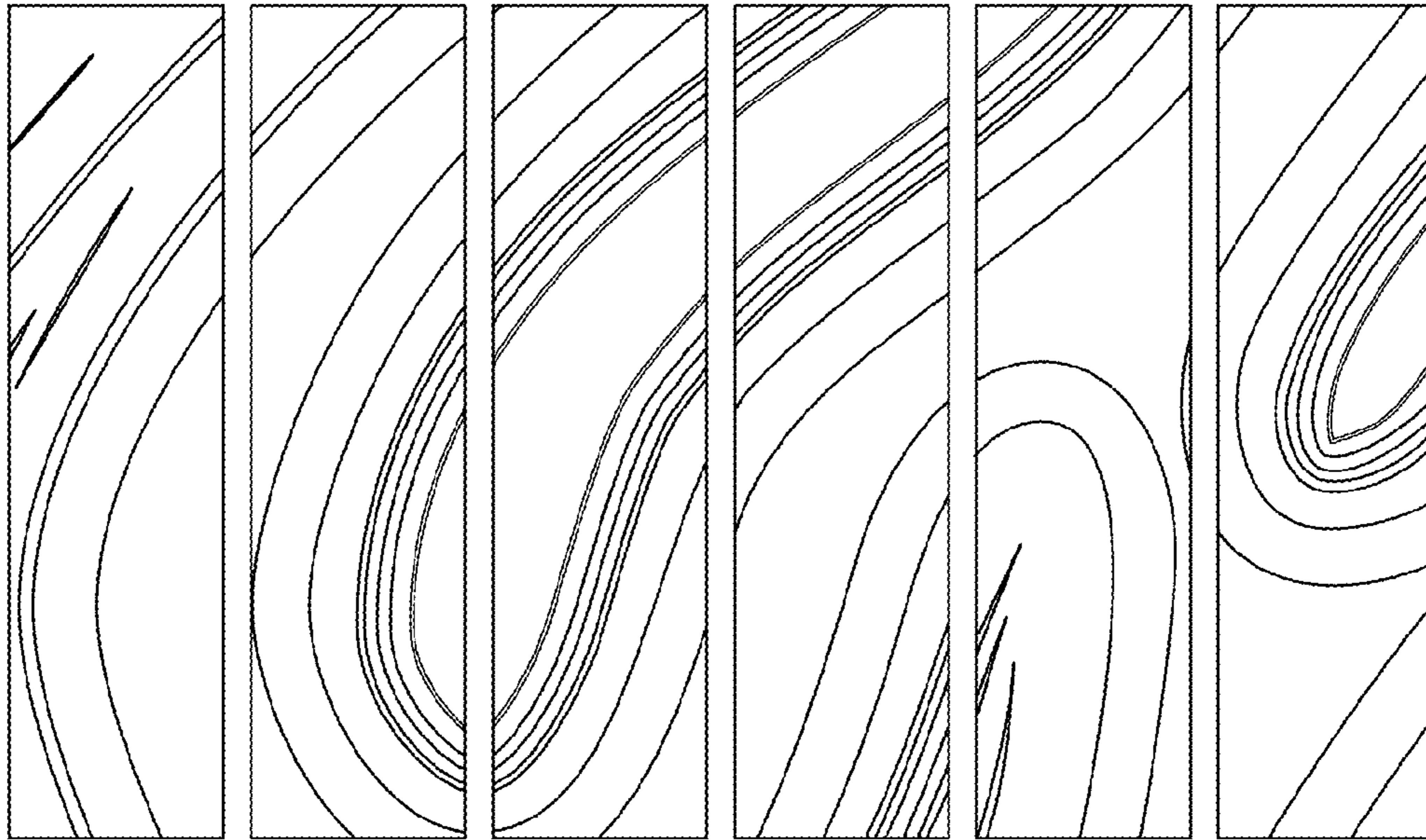


FIG. 3

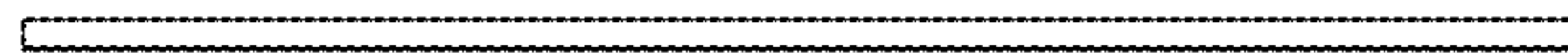


FIG. 4

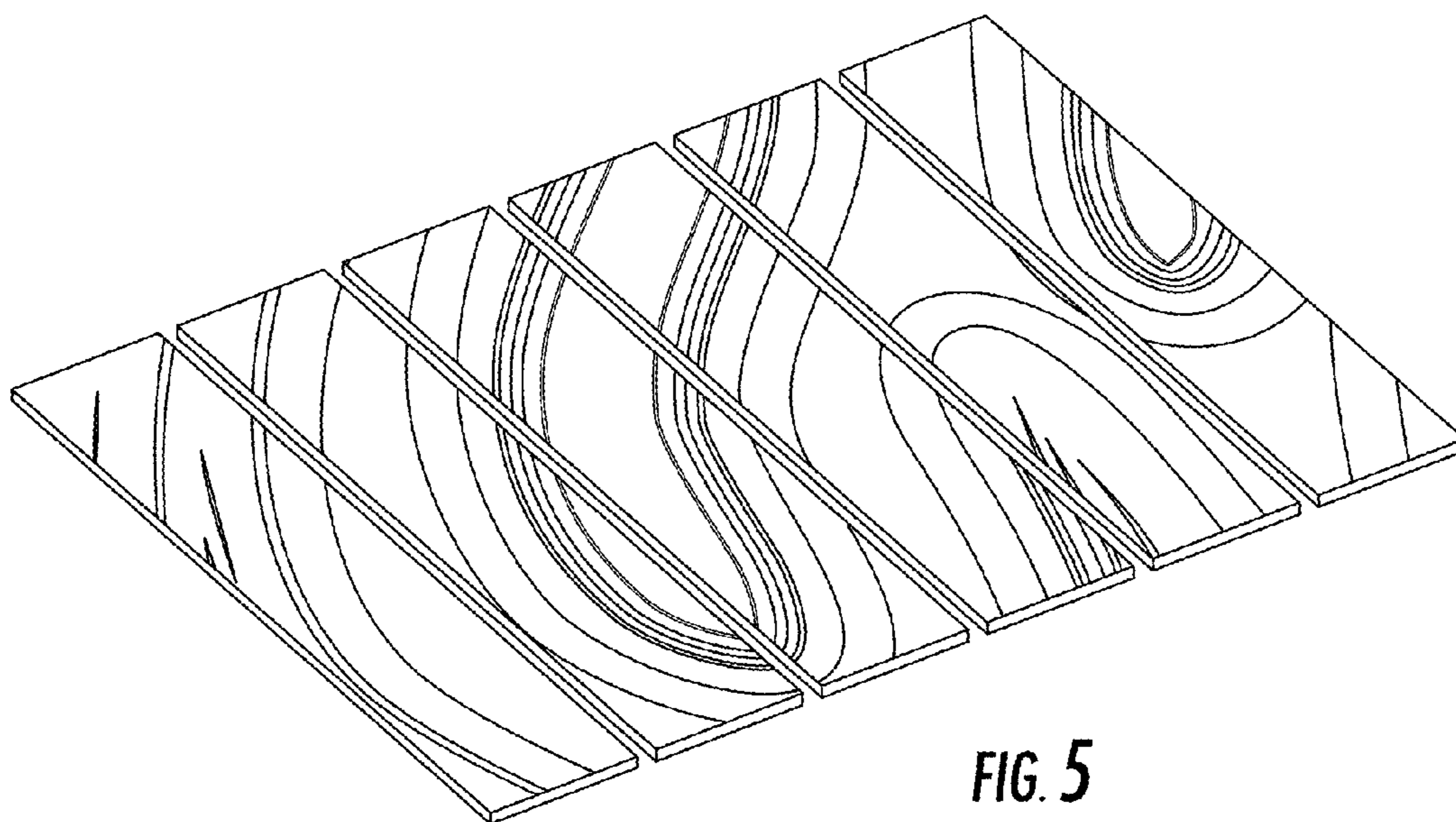


FIG. 6

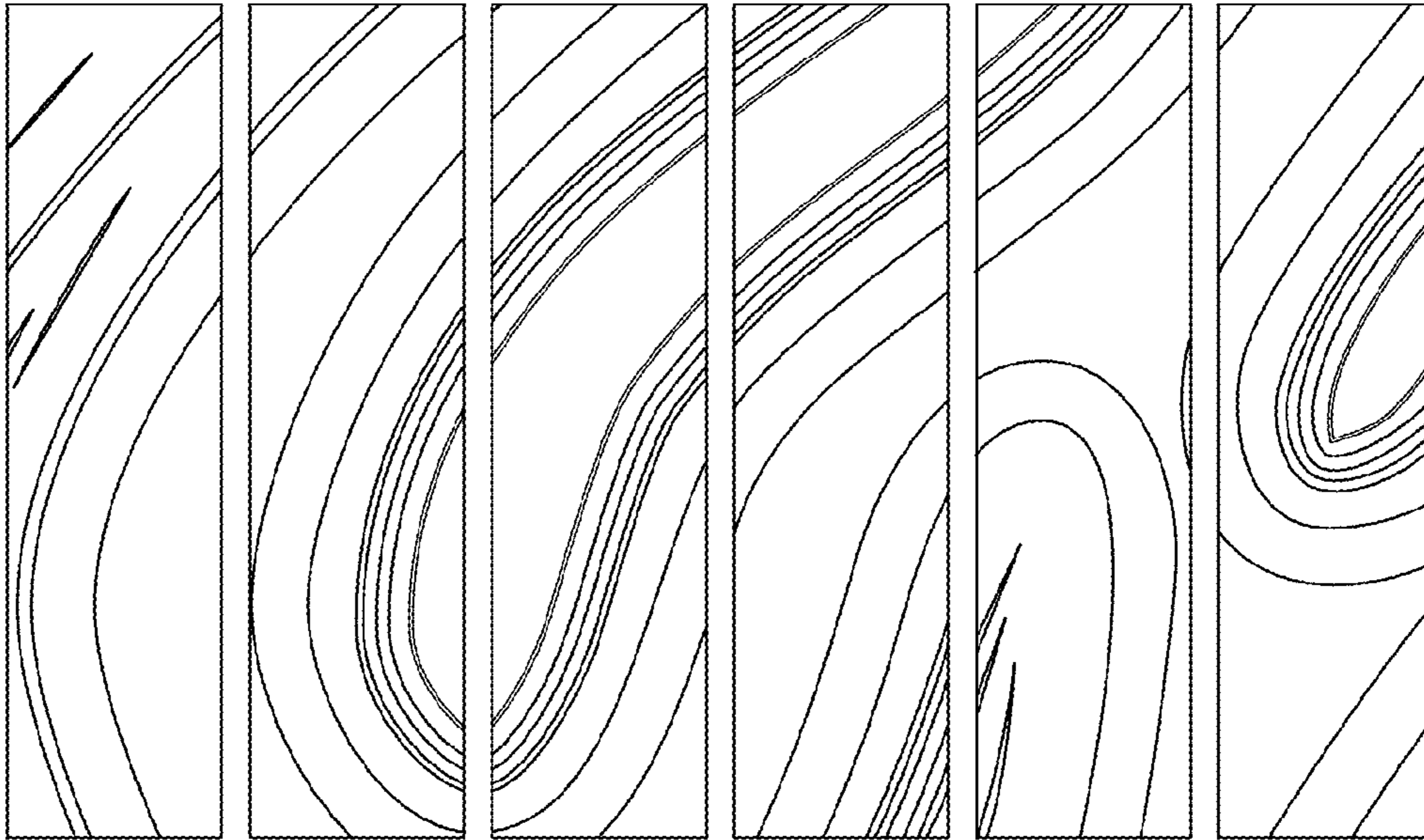


FIG. 7

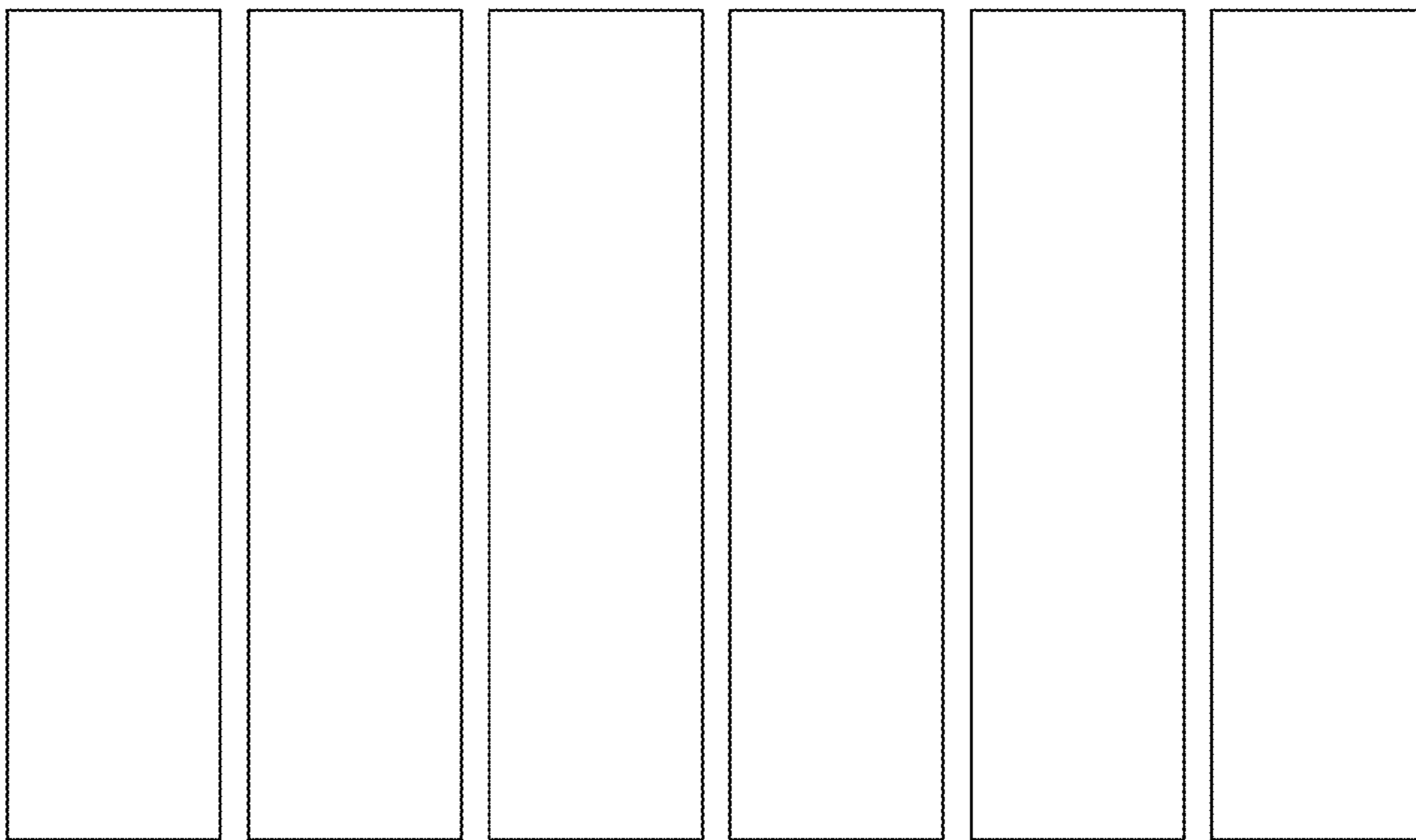


FIG. 8

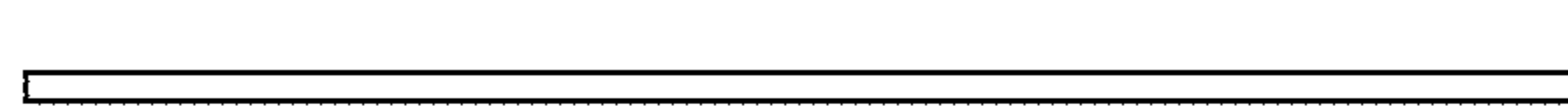


FIG. 9

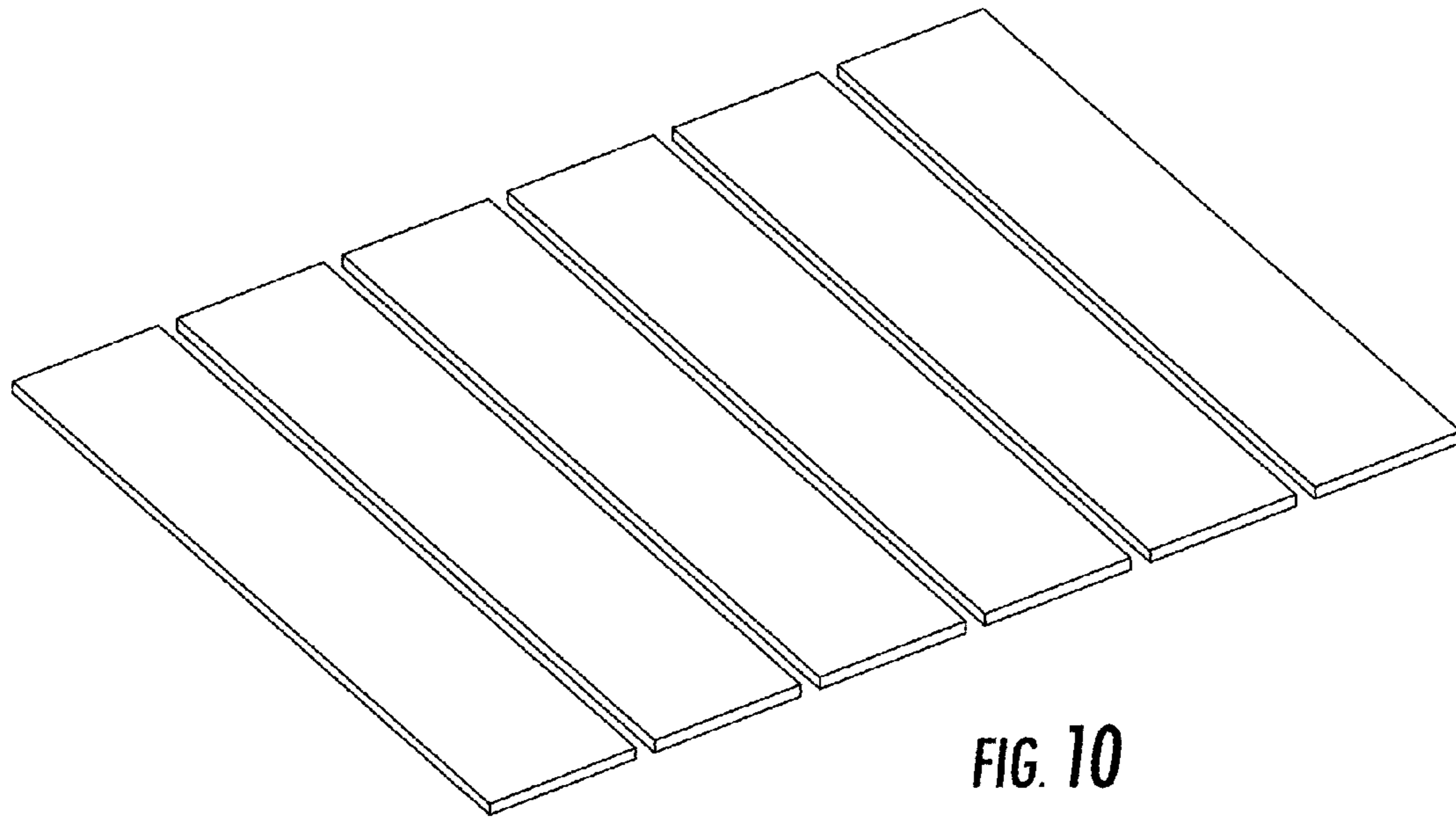


FIG. 10



FIG. 11

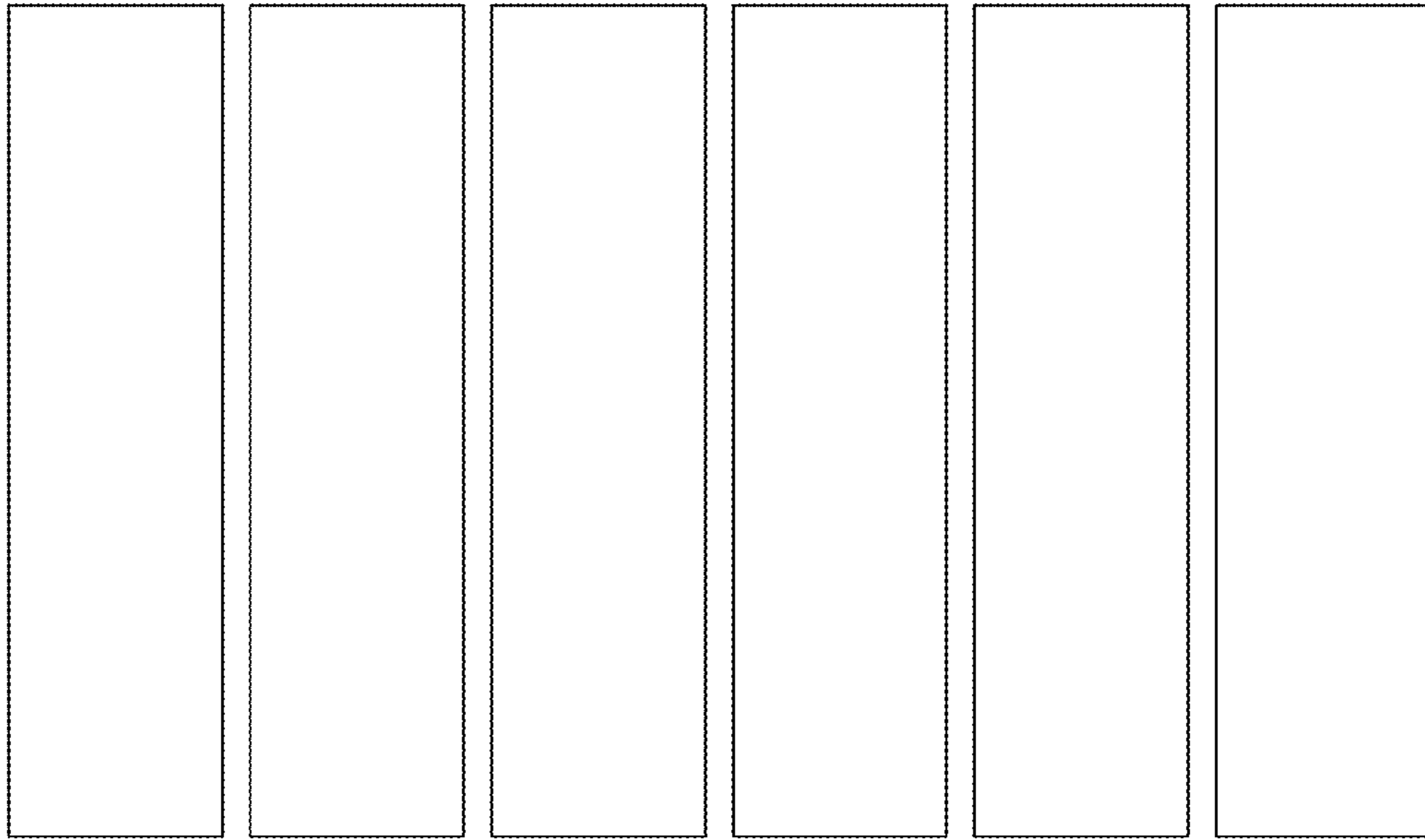


FIG. 12

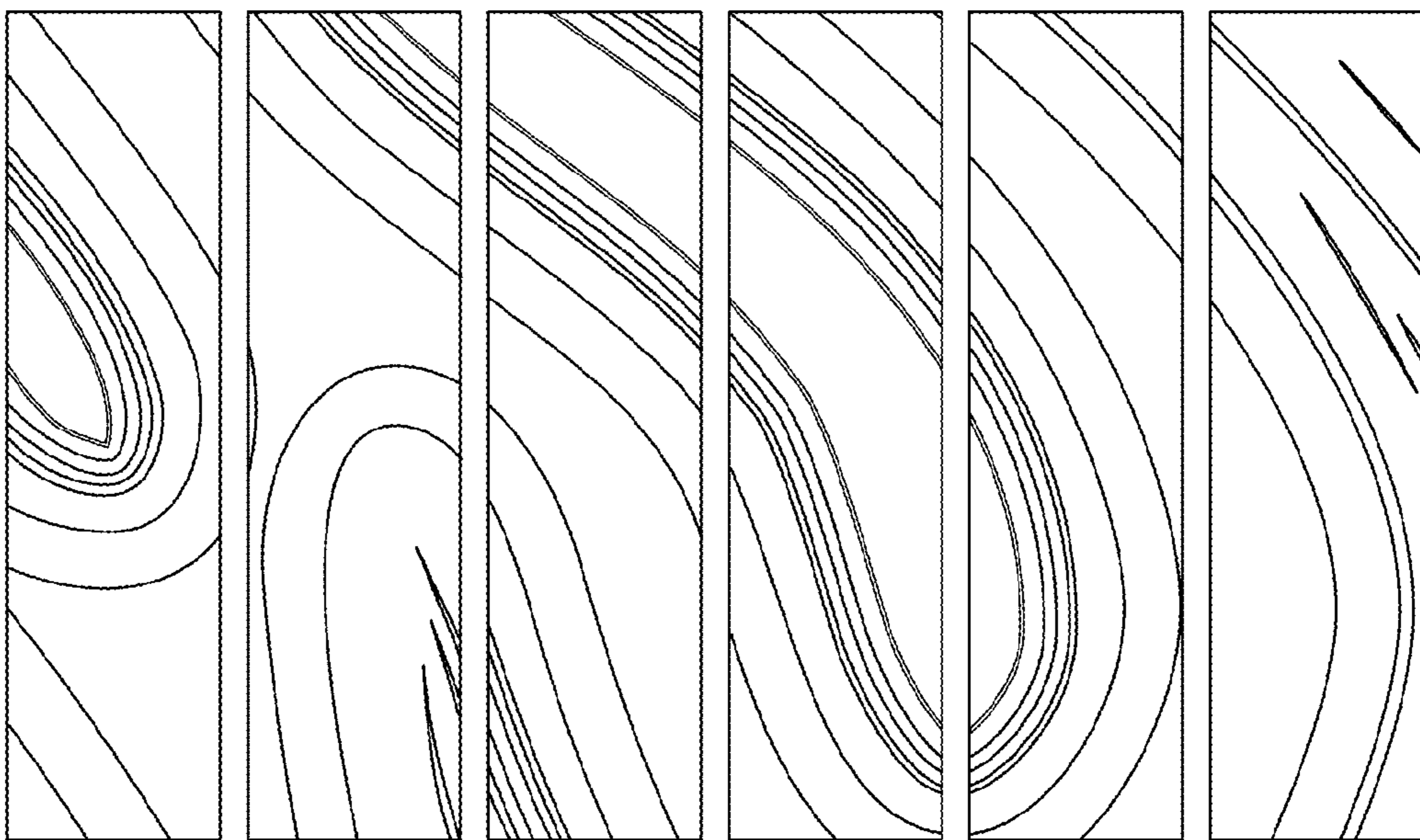


FIG. 13

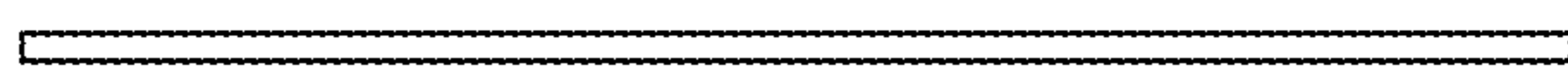


FIG. 14