



US00D703917S

(12) **United States Design Patent**  
**Rodgers et al.**

(10) **Patent No.:** **US D703,917 S**  
(45) **Date of Patent:** **\*\* May 6, 2014**

(54) **CONFECTIONARY SLAB ARTICLE**

(75) Inventors: **Mark Rodgers**, New York, NY (US);  
**Ruth Waddingham**, New York, NY (US)

(73) Assignee: **Intercontinental Great Brands LLC**,  
East Hanover, NJ (US)

(\*\*) Term: **14 Years**

(21) Appl. No.: **29/403,041**

(22) Filed: **Sep. 30, 2011**

(51) **LOC (10) Cl.** ..... **01-01**

(52) **U.S. Cl.**  
USPC ..... **D1/127**

(58) **Field of Classification Search**  
USPC ..... D1/100–130, 199; D24/101, 102;  
426/3, 5, 87, 89, 92, 103, 104, 129,  
426/138, 144, 249, 383, 512, 516, 660,  
426/808; 424/467; D25/113, 119, 121–132;  
D21/499; D5/55–58, 62  
See application file for complete search history.

(56) **References Cited**

**U.S. PATENT DOCUMENTS**

D53,514 S *	7/1919	Migel	.....	D5/62
3,622,323 A *	11/1971	Fraser	.....	156/58
4,033,082 A *	7/1977	Tashiro	.....	52/316
4,104,429 A *	8/1978	Colledge	.....	428/151
D321,597 S *	11/1991	Cerny	.....	D5/55
D366,672 S *	1/1996	Kitzmilller	.....	D19/53
D455,890 S *	4/2002	Codilis	.....	D1/199
6,699,576 B2 *	3/2004	Peng et al.	.....	428/294.7
D579,213 S *	10/2008	Aipa	.....	D5/53
D604,927 S *	12/2009	Kubantseva et al.	.....	D1/121

(Continued)

*Primary Examiner* — Deanna L Pratt

*Assistant Examiner* — Katie Mroczka

(74) *Attorney, Agent, or Firm* — Cantor Colburn LLP

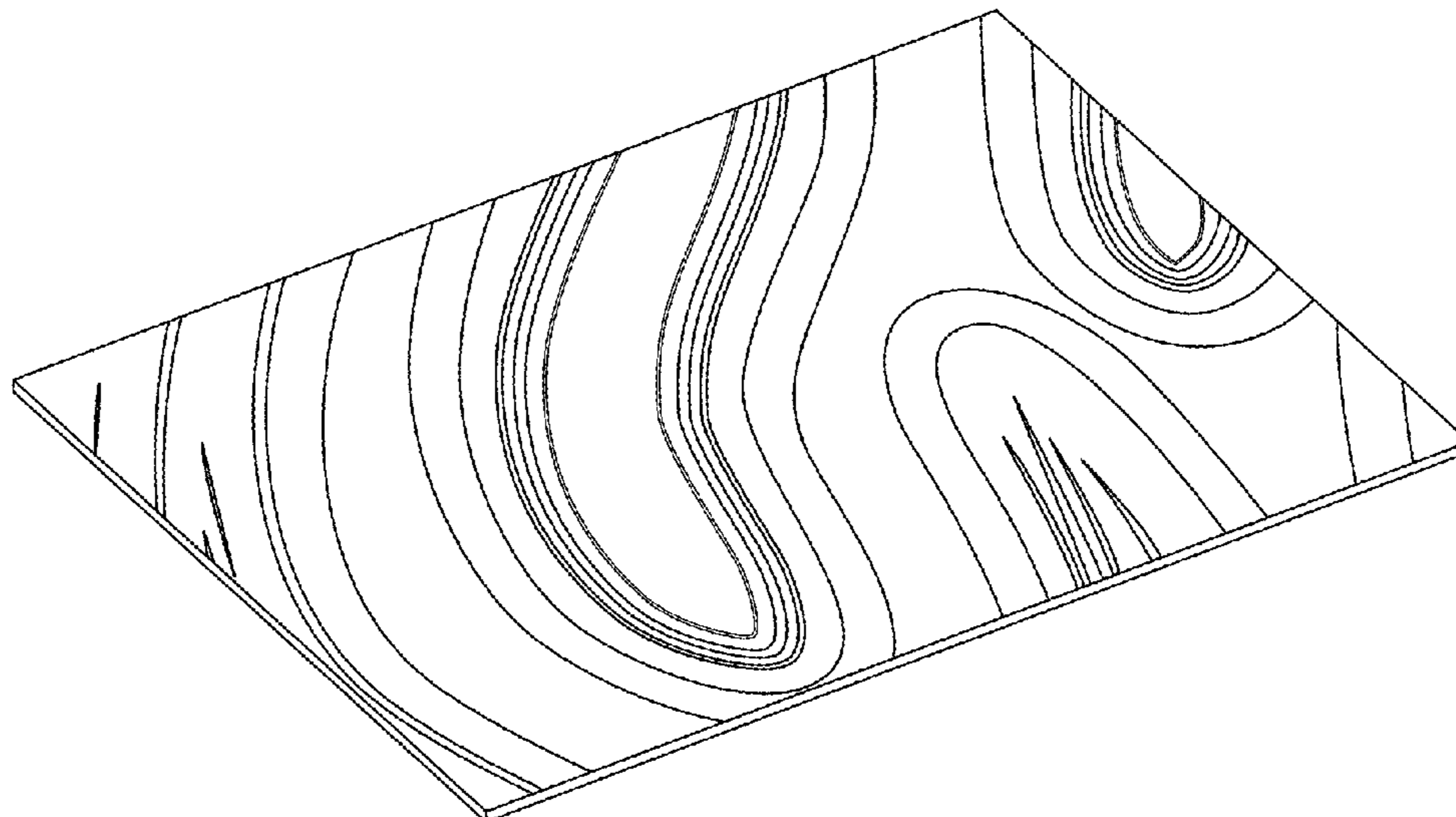
(57) **CLAIM**

We claim, the ornamental design for a confectionary slab article, as shown and described.

**DESCRIPTION**

FIG. 1 is a perspective view of a confectionary slab article, showing our new design in an exemplary embodiment; FIG. 2 is a side elevation view of the embodiment shown in FIG. 1, the opposite side view being a mirror image thereof; FIG. 3 is a top plan view of the embodiment shown in FIG. 1, the bottom view being a mirror image thereof; FIG. 4 is a front elevation view of the embodiment shown in FIG. 1, the back view being a mirror image thereof; FIG. 5 is a perspective view of a confectionary slab article, showing our new design in an exemplary embodiment; FIG. 6 is a side elevation view of the embodiment shown in FIG. 5, the opposite side view being a mirror image thereof; FIG. 7 is a top plan view of the embodiment shown in FIG. 5; FIG. 8 is a bottom plan view of the embodiment shown in FIG. 5; FIG. 9 is a front elevation view of the embodiment shown in FIG. 5, the back view being a mirror image thereof; FIG. 10 is a perspective view of a confectionary slab article, showing our new design in an exemplary embodiment; FIG. 11 is a side elevation view of the embodiment shown in FIG. 10, the opposite side view being a mirror image thereof; FIG. 12 is a top plan view of the embodiment shown in FIG. 10; FIG. 13 is a bottom plan view of the embodiment shown in FIG. 10; and, FIG. 14 is a front elevation view of the embodiment shown in FIG. 10, the back view being a mirror image thereof.

**1 Claim, 6 Drawing Sheets**



# US D703,917 S

Page 2

---

(56)

## References Cited

### U.S. PATENT DOCUMENTS

D622,064 S \* 8/2010 Aipa ..... D5/53  
D636,186 S \* 4/2011 Aipa ..... D5/53

D640,063 S \* 6/2011 Aipa ..... D5/29  
D645,256 S \* 9/2011 Aipa ..... D5/53  
D678,685 S \* 3/2013 Kase et al. .... D5/56  
2011/0033577 A1\* 2/2011 Molchan et al. .... 426/72

\* cited by examiner

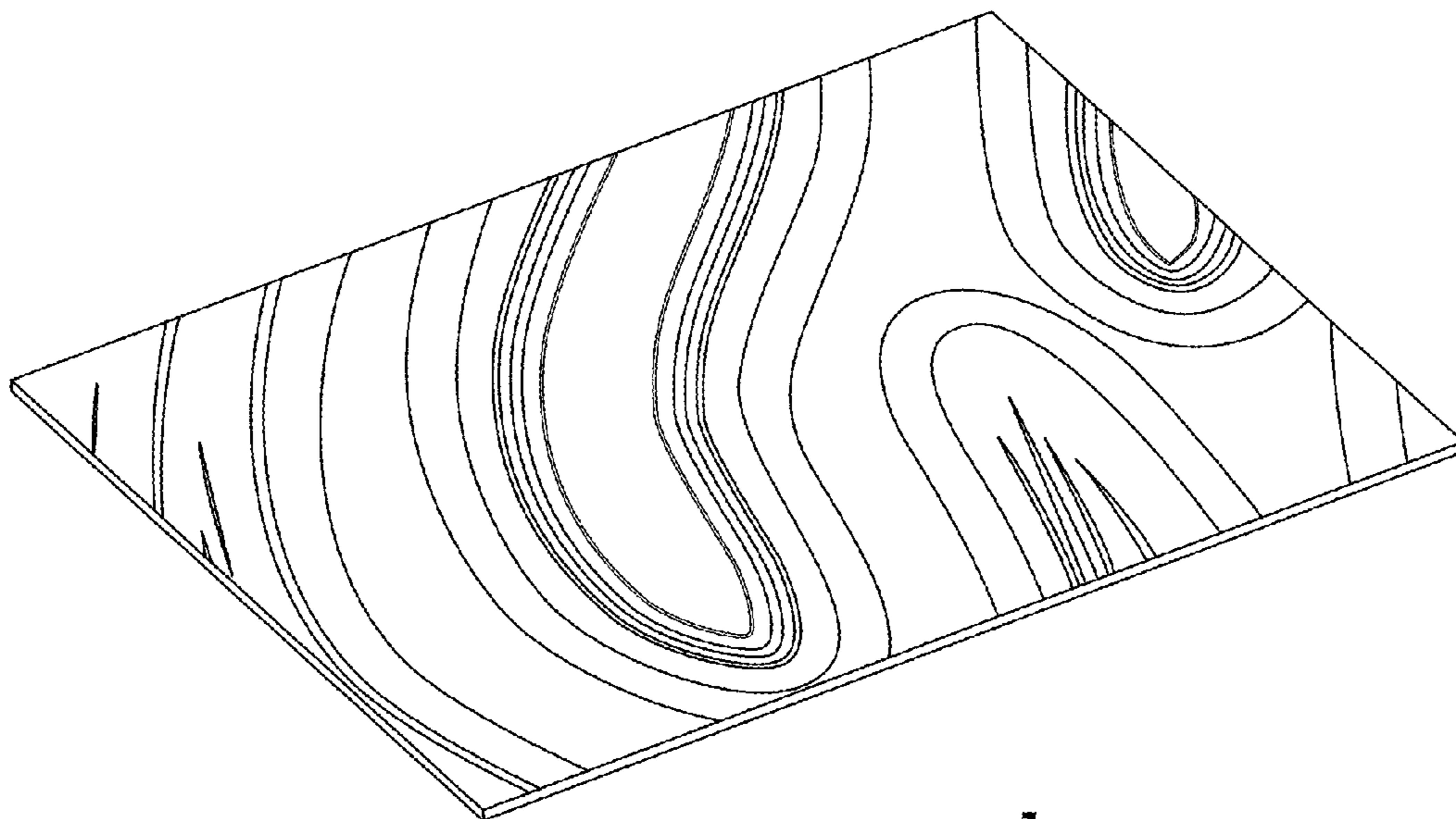


FIG. 1

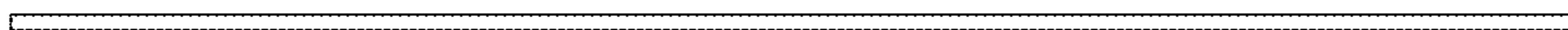
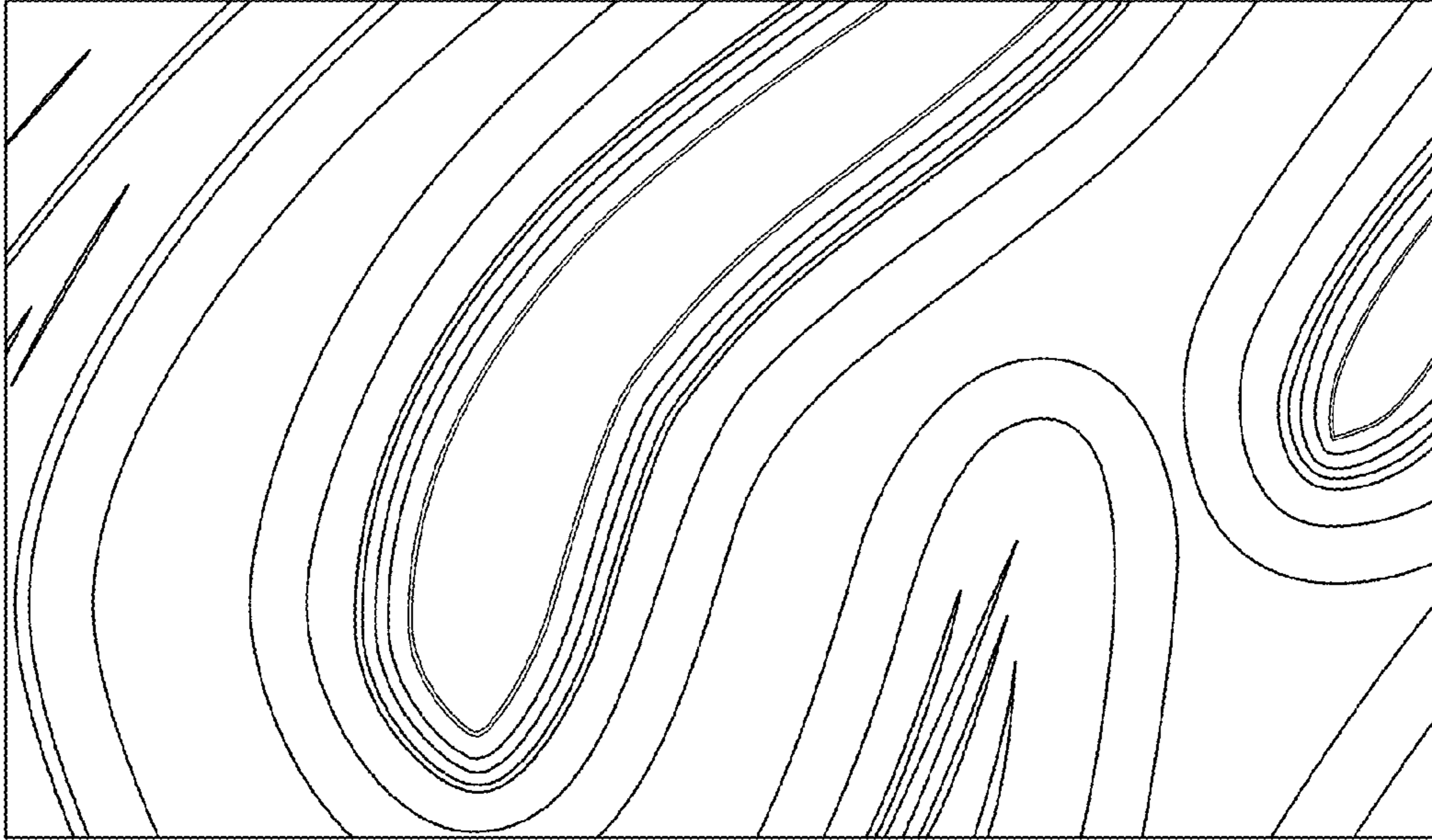
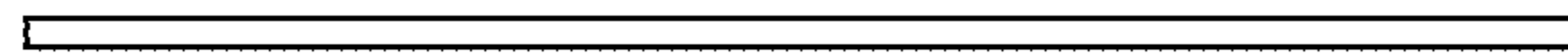


FIG. 2



**FIG. 3**



**FIG. 4**

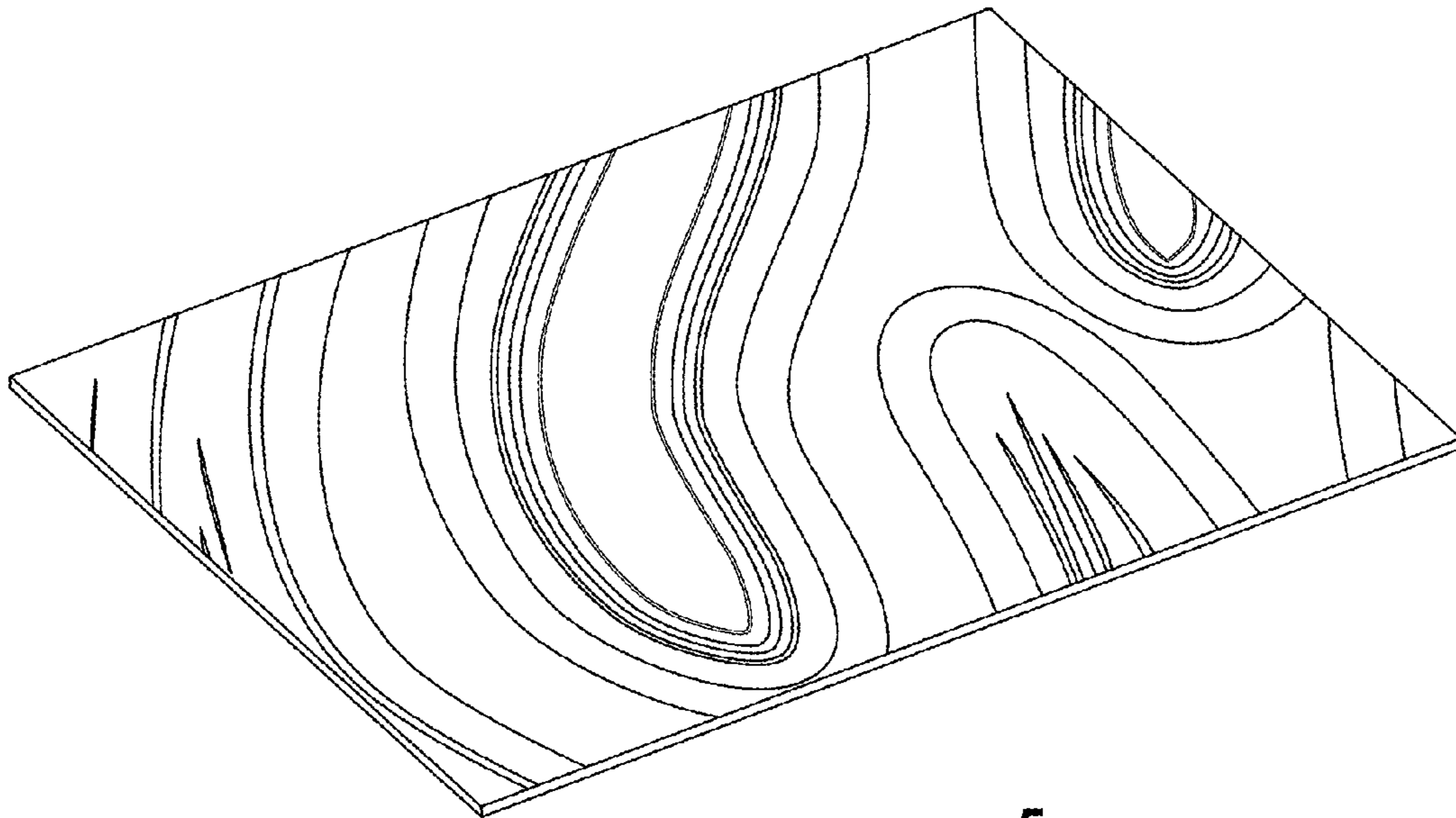


FIG. 5

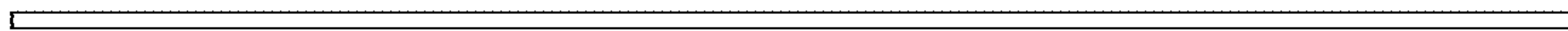
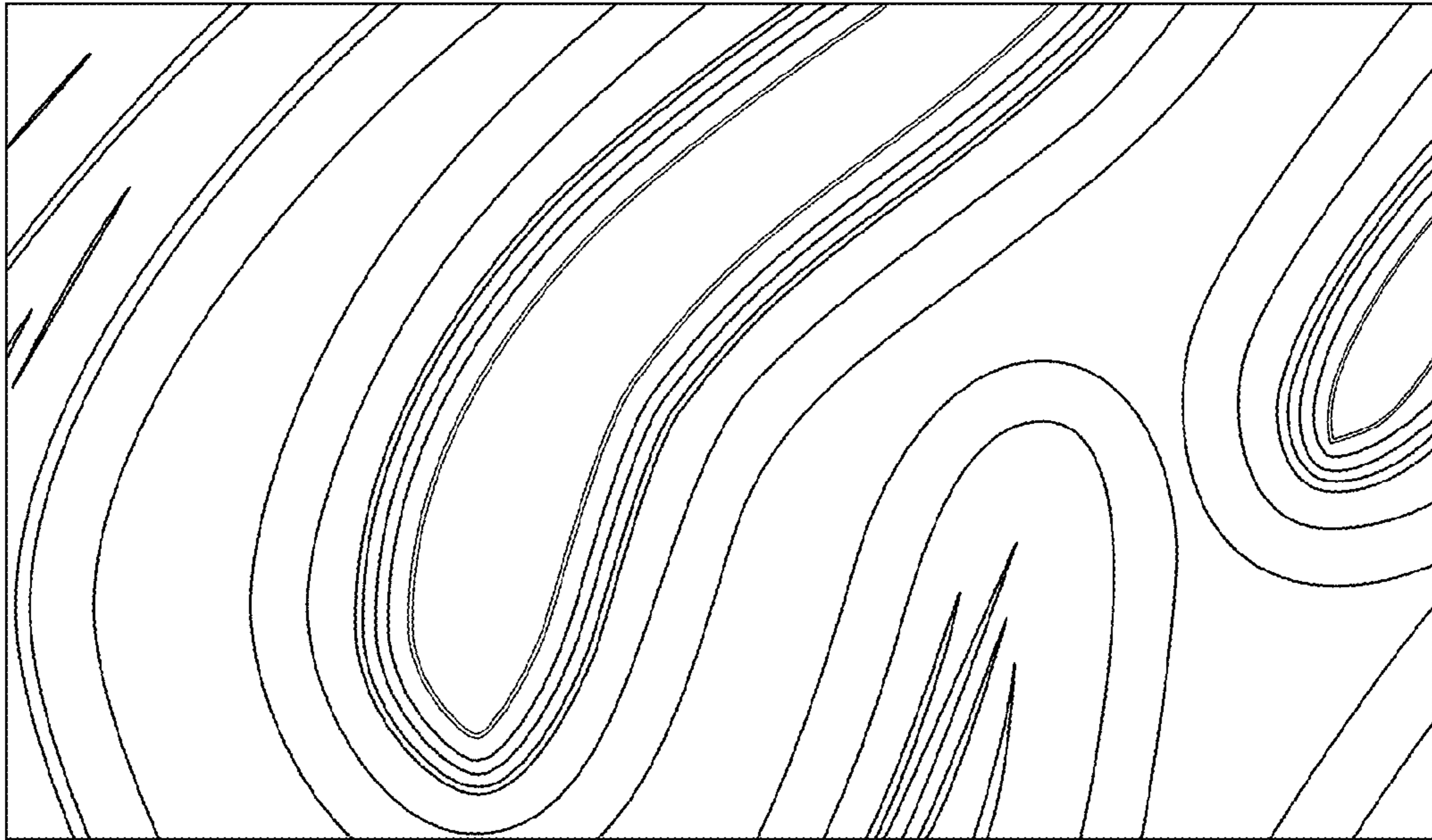
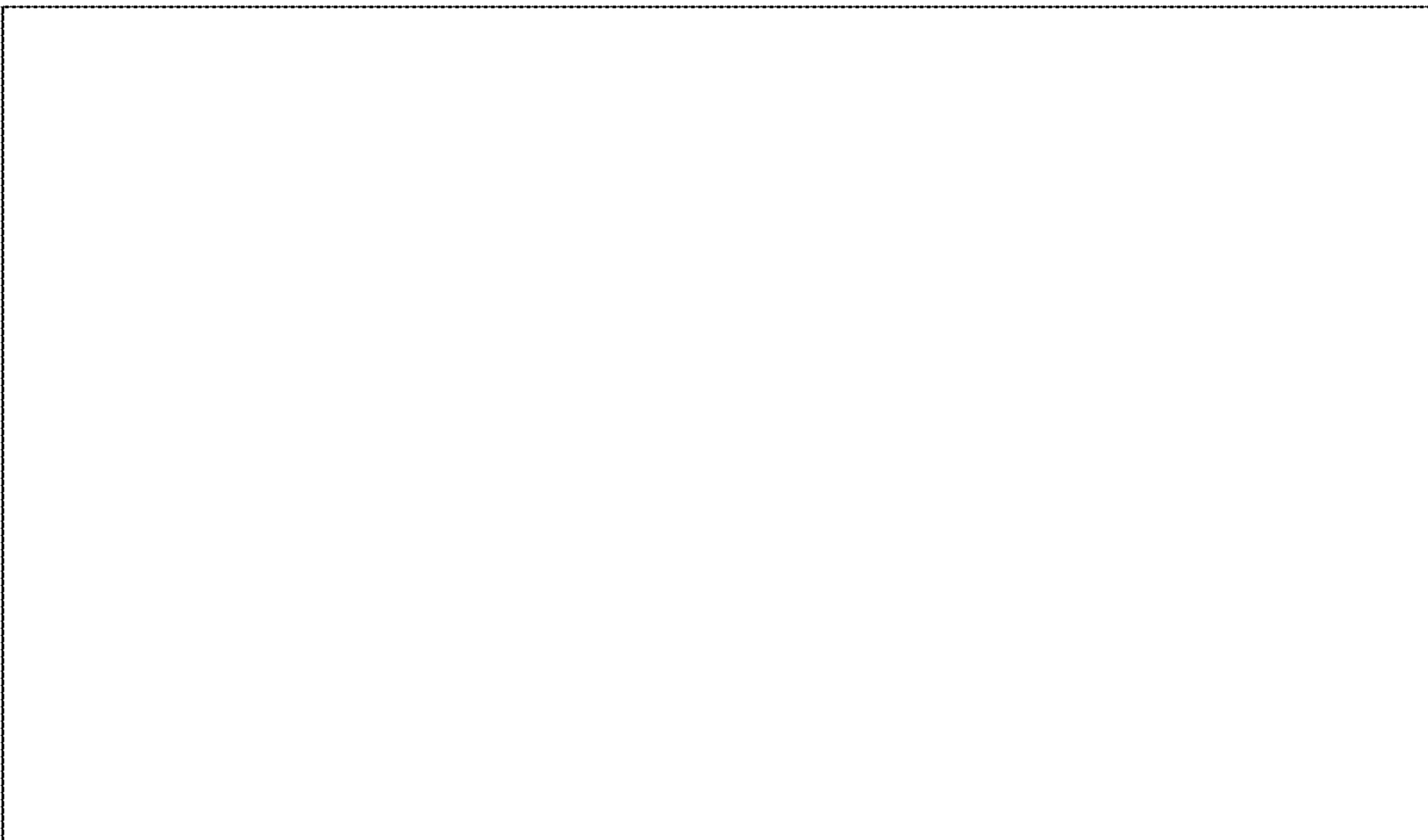


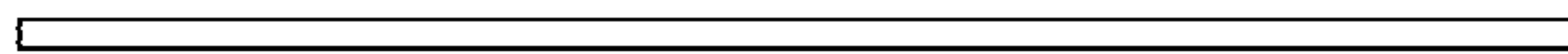
FIG. 6



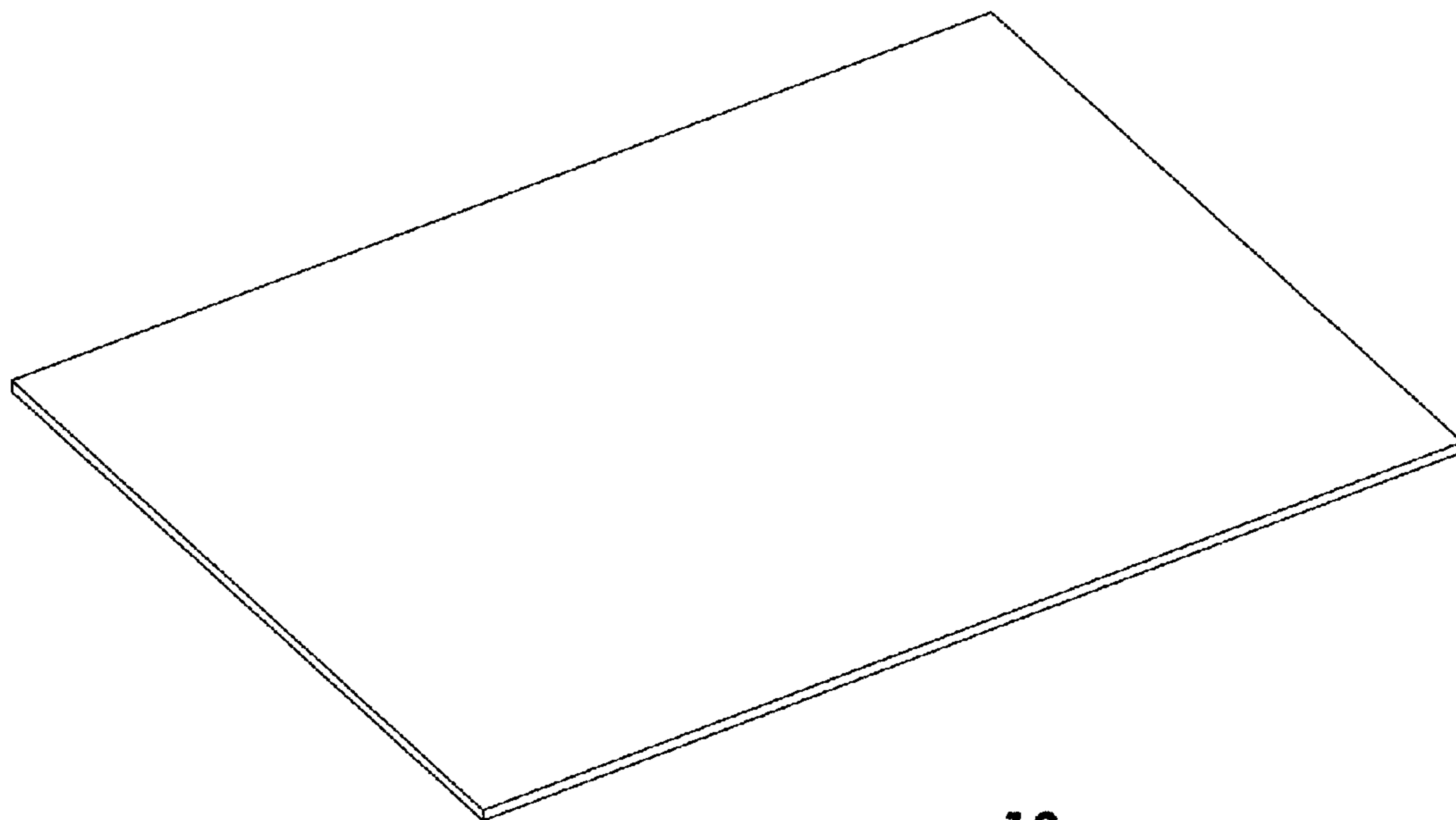
**FIG. 7**



**FIG. 8**



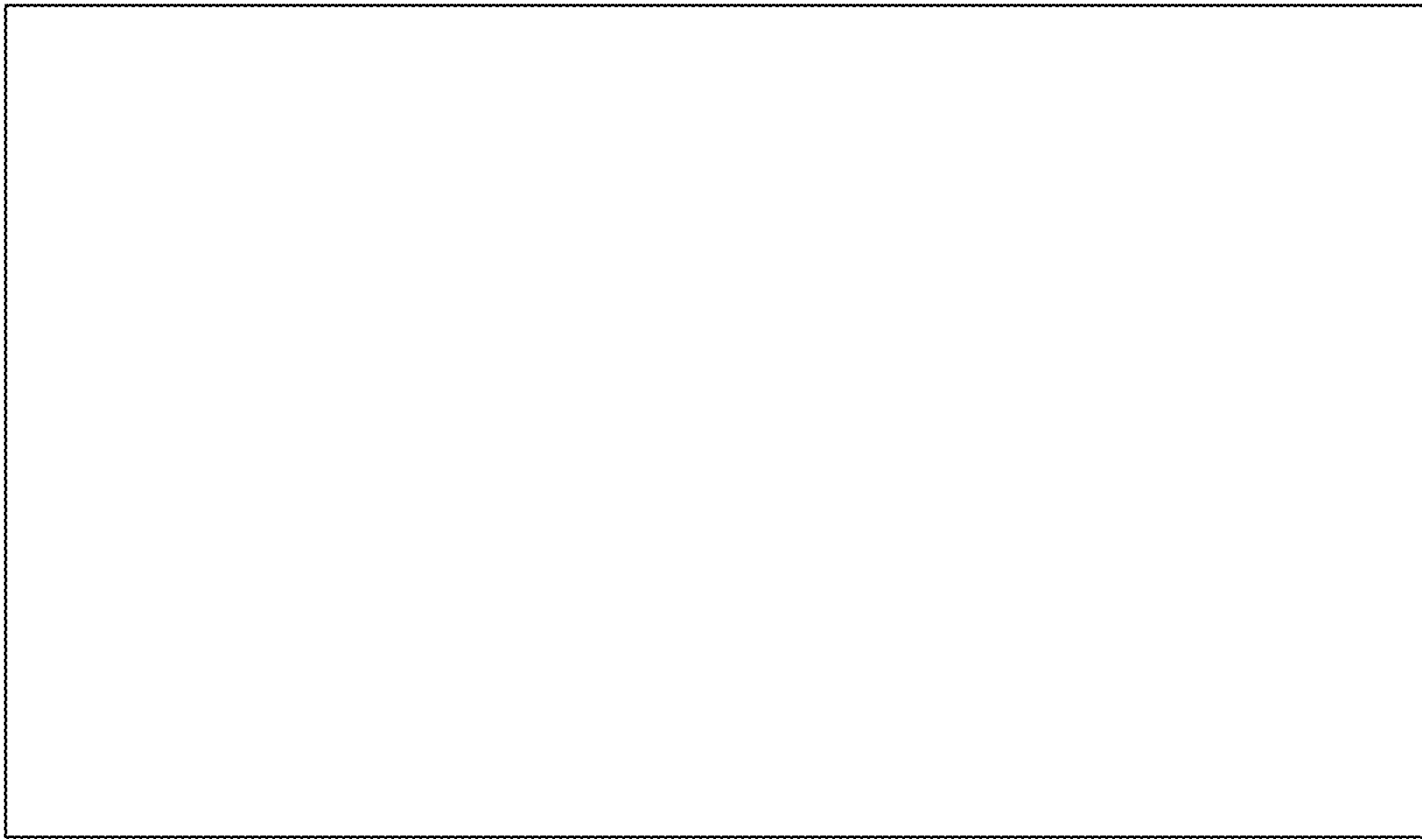
**FIG. 9**



**FIG. 10**



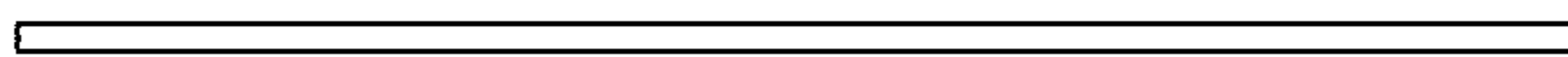
**FIG. 11**



**FIG. 12**



**FIG. 13**



**FIG. 14**