



US00D703916S

(12) **United States Design Patent**
Slusarczyk et al.

(10) **Patent No.:** **US D703,916 S**

(45) **Date of Patent:** **** May 6, 2014**

(54) **PET TREAT**

(71) Applicants: **Peter Sebastian Slusarczyk**,
Nolensville, TN (US); **Michael Shawn**
Innis, Miami, OK (US); **April Lynne**
Gandy, Franklin, TN (US)

(72) Inventors: **Peter Sebastian Slusarczyk**,
Nolensville, TN (US); **Michael Shawn**
Innis, Miami, OK (US); **April Lynne**
Gandy, Franklin, TN (US)

(73) Assignee: **Mars, Incorporated**, McLean, VA (US)

(**) Term: **14 Years**

(21) Appl. No.: **29/440,162**

(22) Filed: **Dec. 19, 2012**

(51) **LOC (10) Cl.** **01-01**

(52) **U.S. Cl.**
USPC **D1/106**

(58) **Field of Classification Search**
USPC D1/100-130, 199; 426/5, 76, 87, 92,
426/94, 95, 99, 101, 103, 108, 138-139,
426/143, 144, 279, 282, 283, 391, 514, 549,
426/660; D13/100; D24/101-104; D28/8.1;
424/467; D9/661; D7/565-566;
D11/44, 117; D6/601

See application file for complete search history.

(56) **References Cited**

U.S. PATENT DOCUMENTS

D22,882 S *	11/1893	Bish et al.	D1/129
4,376,111 A *	3/1983	Tovey	424/467
D269,711 S *	7/1983	Tovey	D24/101
D275,080 S *	8/1984	Sun	D3/271.3
D286,085 S *	10/1986	Tovey	D24/101
D343,269 S *	1/1994	Kirkham	D1/199
D405,879 S *	2/1999	Leonard	D24/101

D497,239 S *	10/2004	Maniak et al.	D1/129
D508,846 S *	8/2005	Au	D9/420
D560,604 S *	1/2008	Saunders et al.	D13/100
D608,976 S *	2/2010	Colman et al.	D1/106
D632,385 S *	2/2011	van der Does	D24/101
2010/0209553 A1 *	8/2010	Acar et al.	426/5

FOREIGN PATENT DOCUMENTS

MX 34579 10/2011

OTHER PUBLICATIONS

Purple House Cookie Oct. 2, 2010. [online.] [retrieved on Dec. 9, 2013]. Retrieved from internet <URL: <http://www.flickr.com/photos/kittycakesbakery/sets/72157624635182381/detail/>>.*

House Cookie Mar. 9, 2009. [online.] [retrieved on Mar. 9, 2013]. Retrieved from internet <URL: <http://www.flickr.com/photos/50246444@N00/3343096290/>>.*

(Continued)

Primary Examiner — Deanna L Pratt

Assistant Examiner — Katie Mroczka

(74) *Attorney, Agent, or Firm* — Arent Fox LLP

(57) **CLAIM**

The ornamental design for a pet treat, as shown and described.

DESCRIPTION

FIG. 1 is a front perspective view of a pet treat showing our new design;

FIG. 2 is a back perspective of the design shown in FIG. 1;

FIG. 3 is a front view of the design shown in FIG. 1;

FIG. 4 is a back view of the design shown in FIG. 1;

FIG. 5 is a left side view of the design shown in FIG. 1;

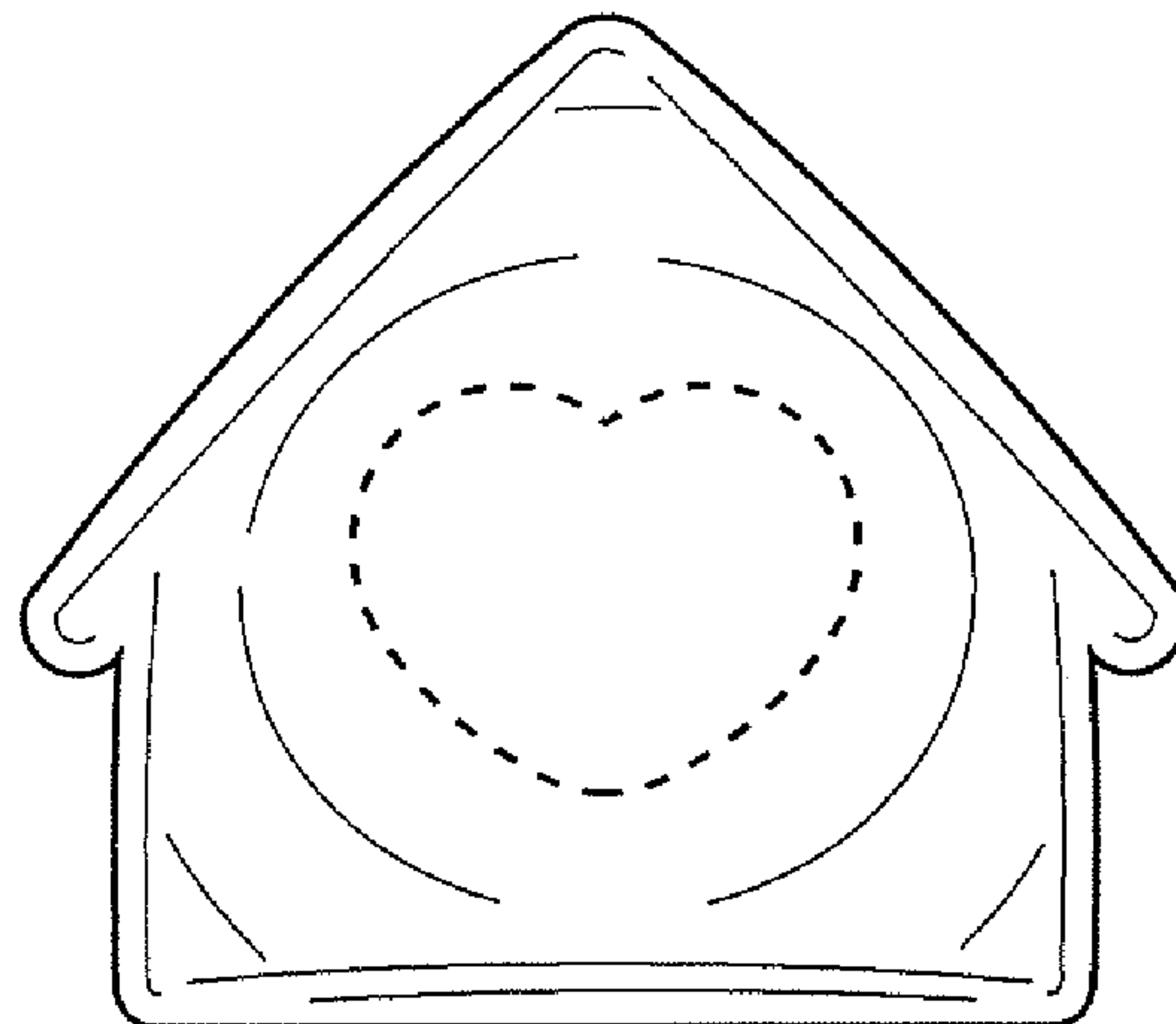
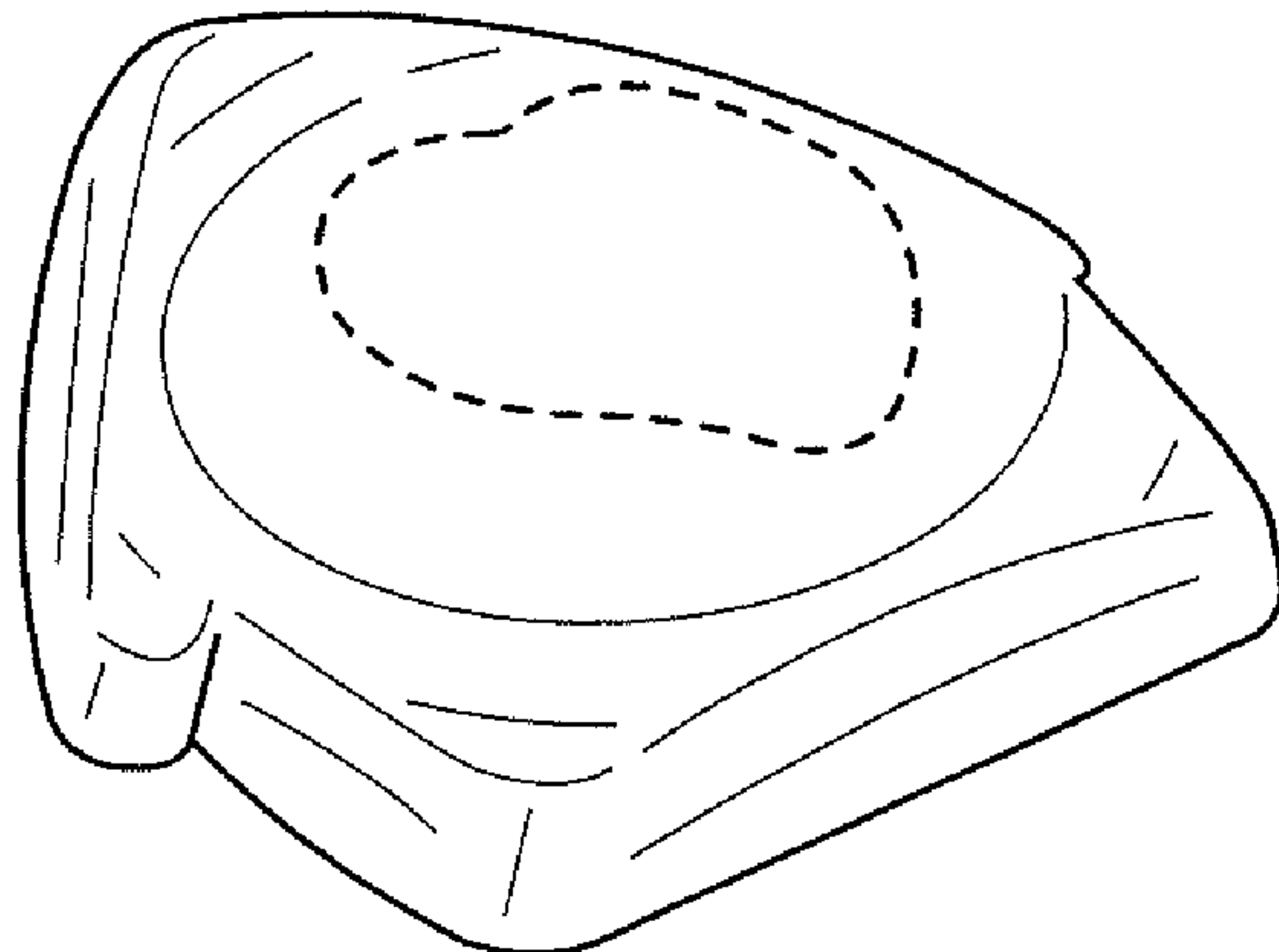
FIG. 6 is a right side view of the design shown in FIG. 1;

FIG. 7 is a top view of the design shown in FIG. 1; and,

FIG. 8 is a bottom view of the design shown in FIG. 1.

The broken lines in the drawings illustrate portions of the pet treat which form no part of the claimed design.

1 Claim, 4 Drawing Sheets



(56)

References Cited

OTHER PUBLICATIONS

Tiny Gingerbread House Dec. 18, 2009. [online.] [retrieved on Dec. 9, 2013]. Retrieved from internet <URL:<http://www.notmartha.org/archives/2009/12/18/a-gingerbread-house-that-perches-on-the-rim-of-your-mug/>>.*

House Cookie II Feb. 13, 2011. [online.] [retrieved on Dec. 9, 2013].

Retrieved from internet <URL: <http://www.livingcrafts.com/blog/valentines/stained-glass-cookies/>>.*

* cited by examiner

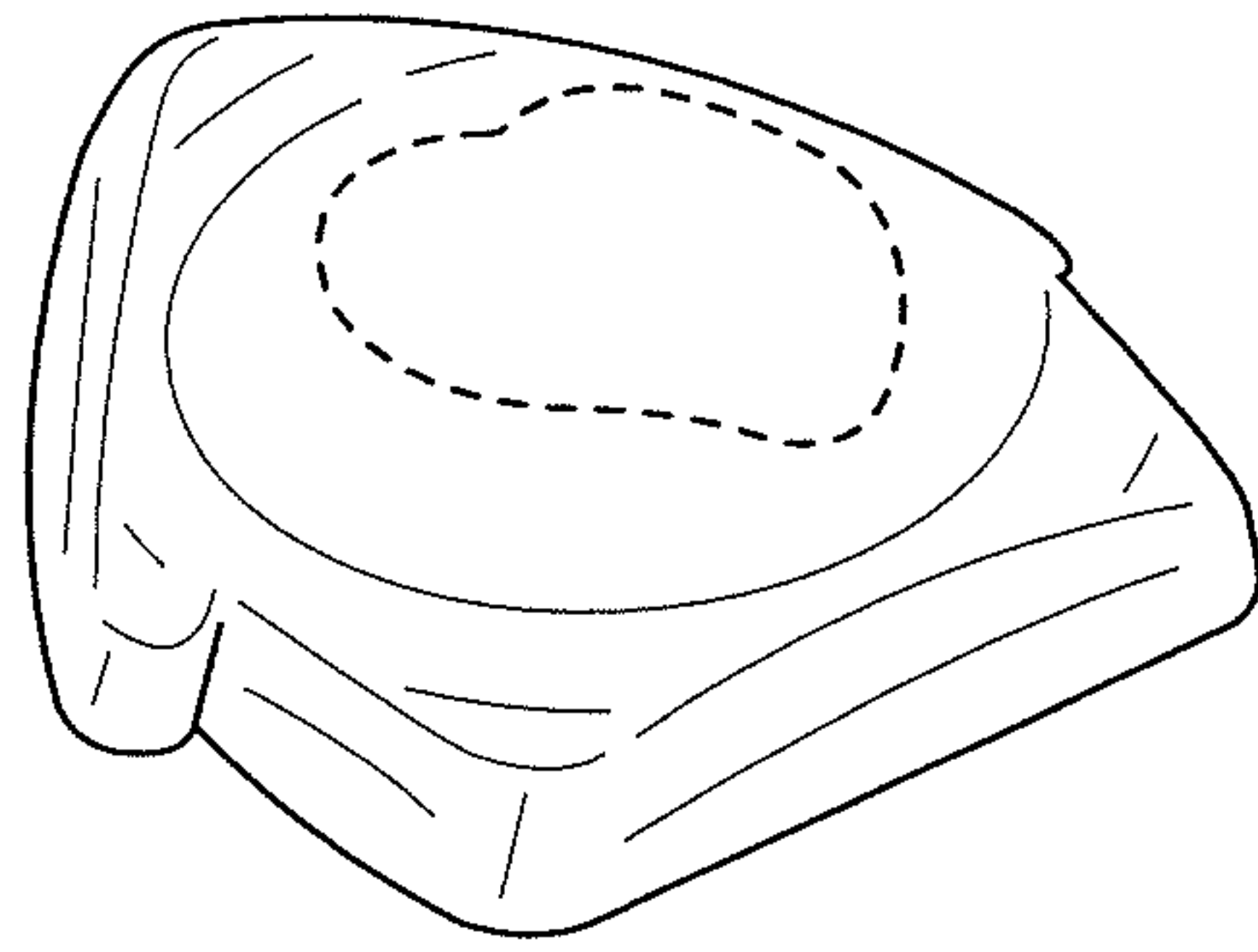


FIG.1

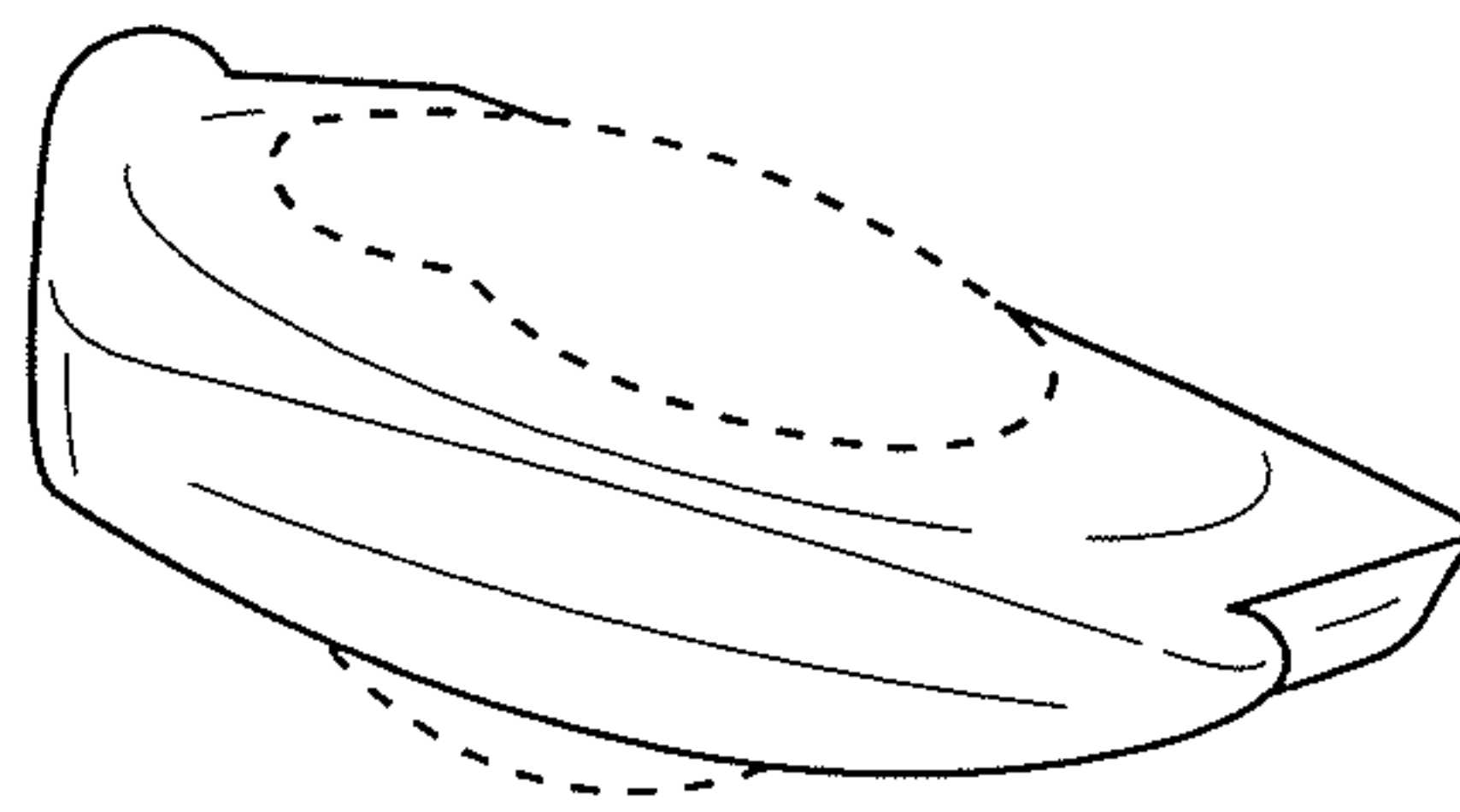


FIG.2

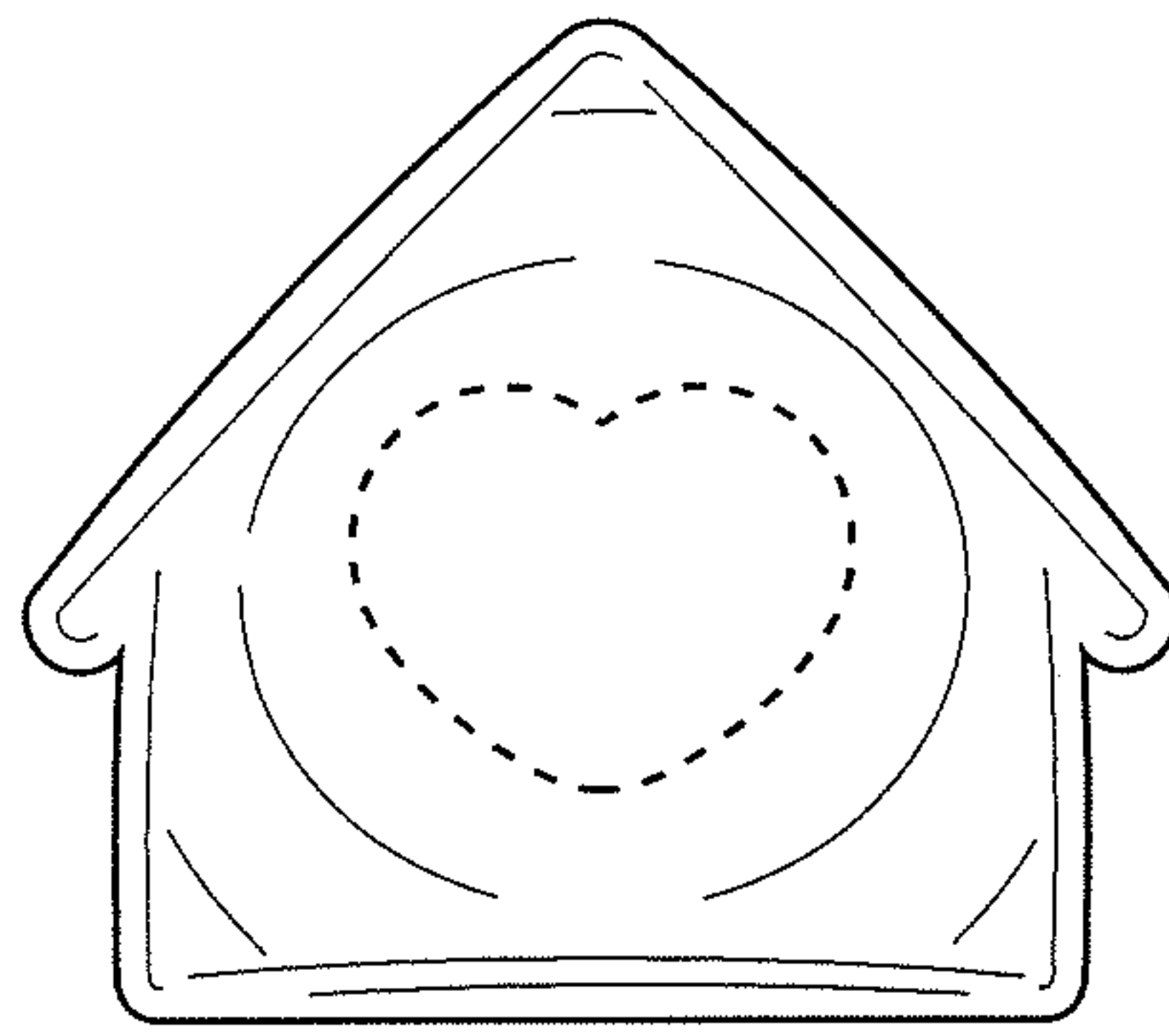


FIG.3

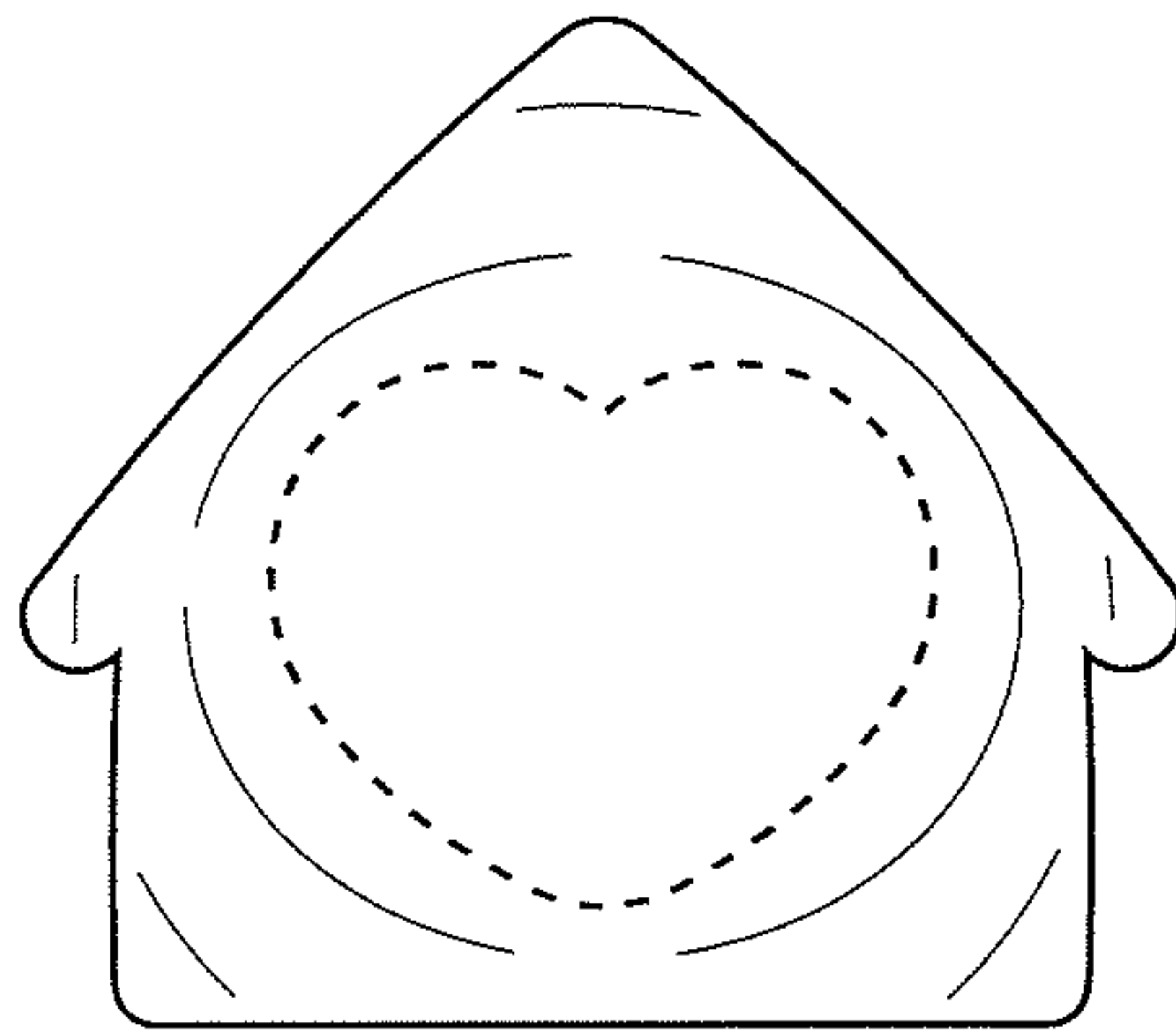


FIG.4

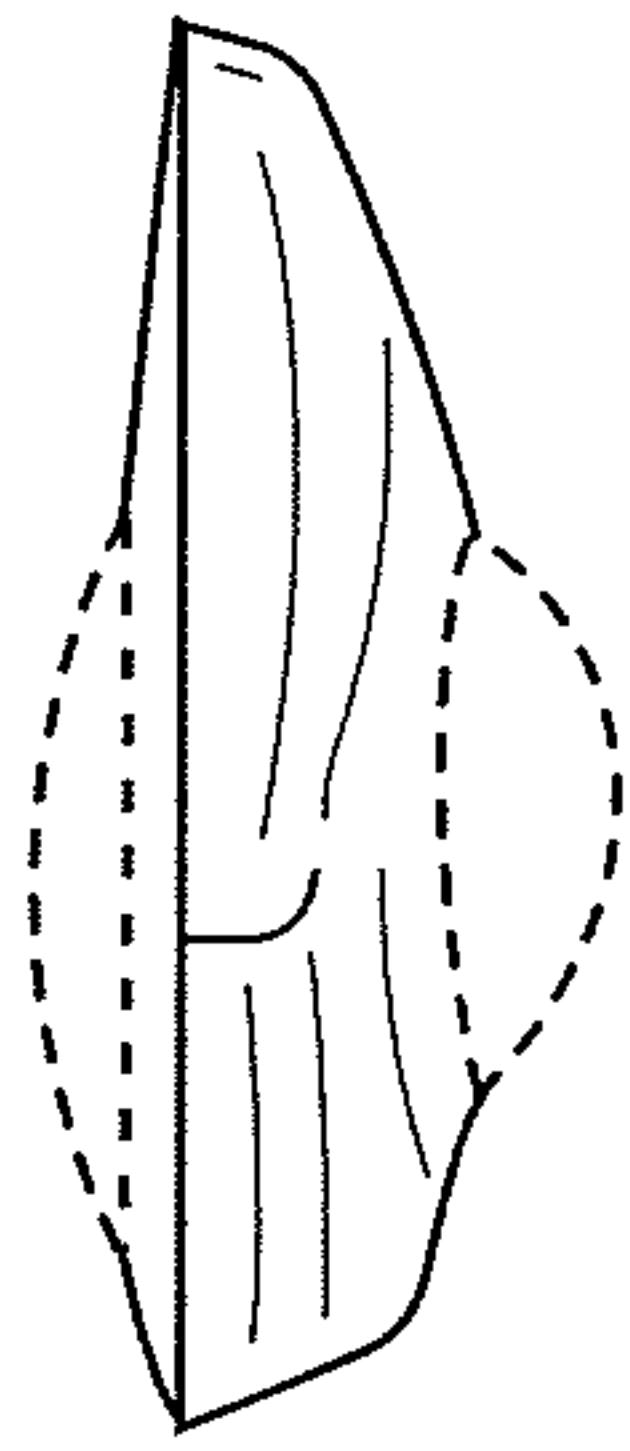


FIG. 5

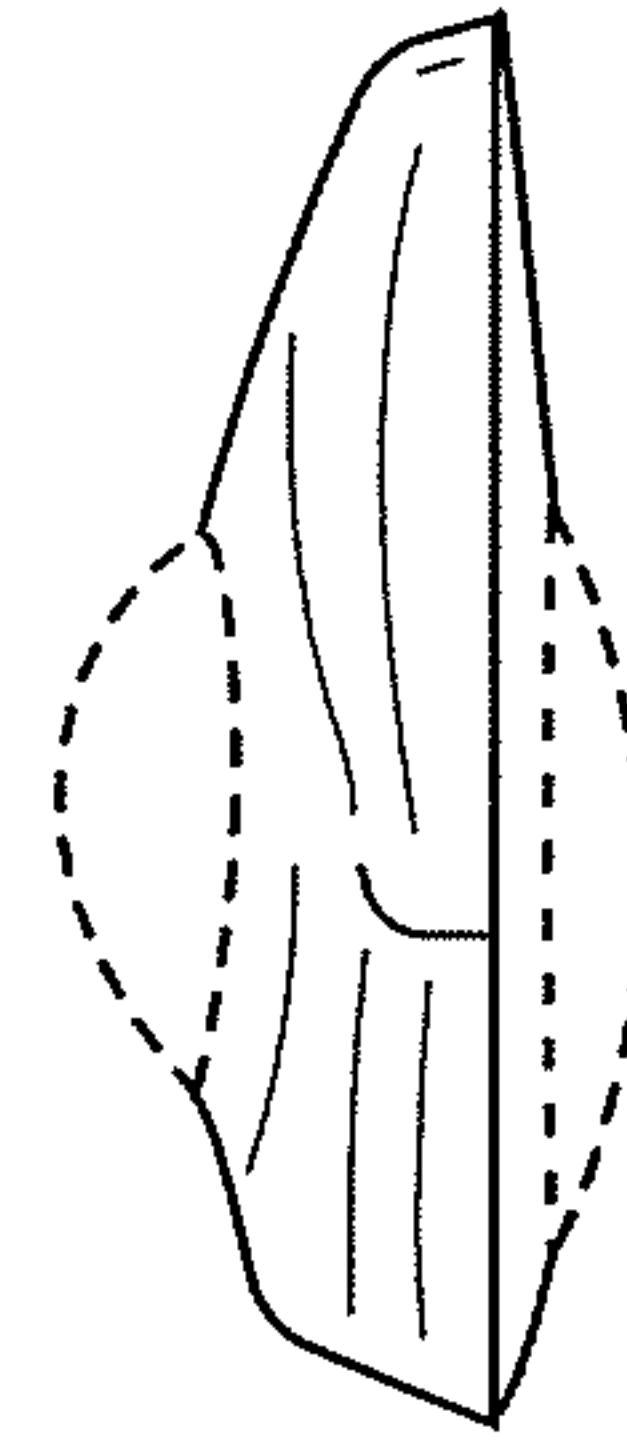


FIG. 6

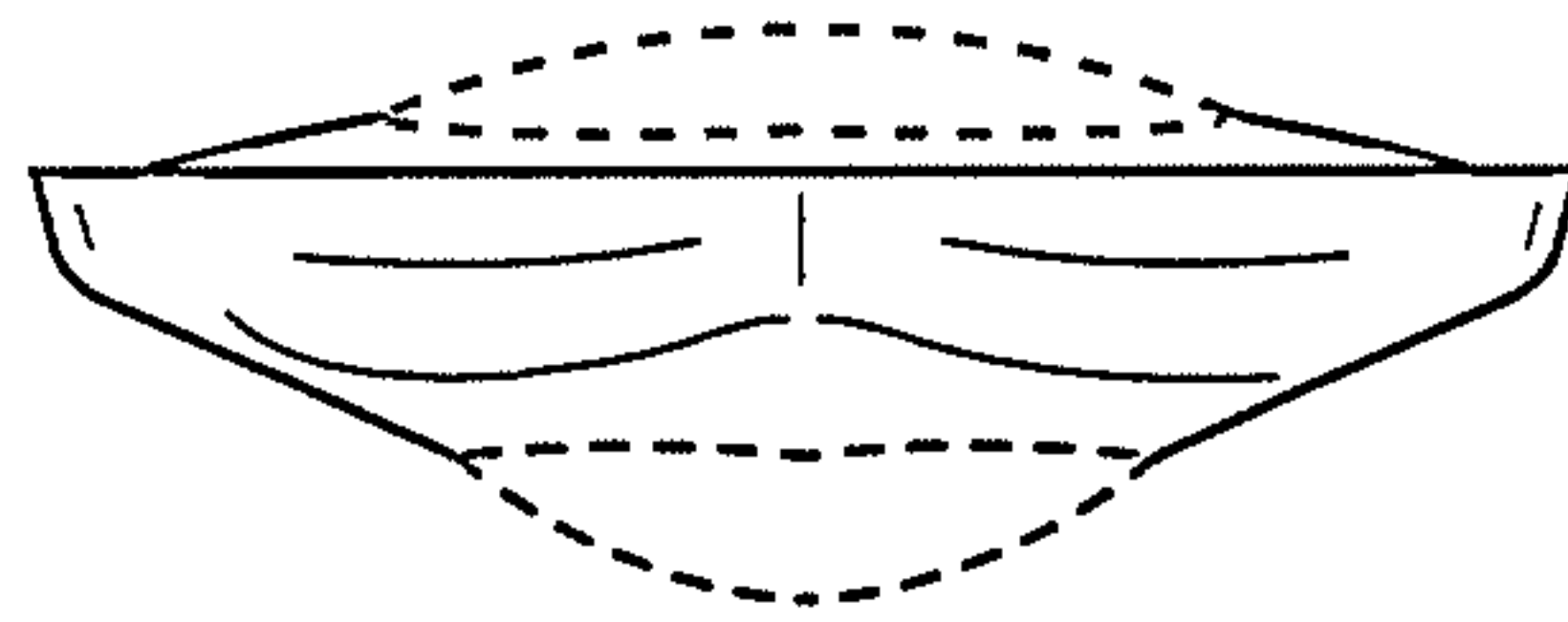


FIG. 7

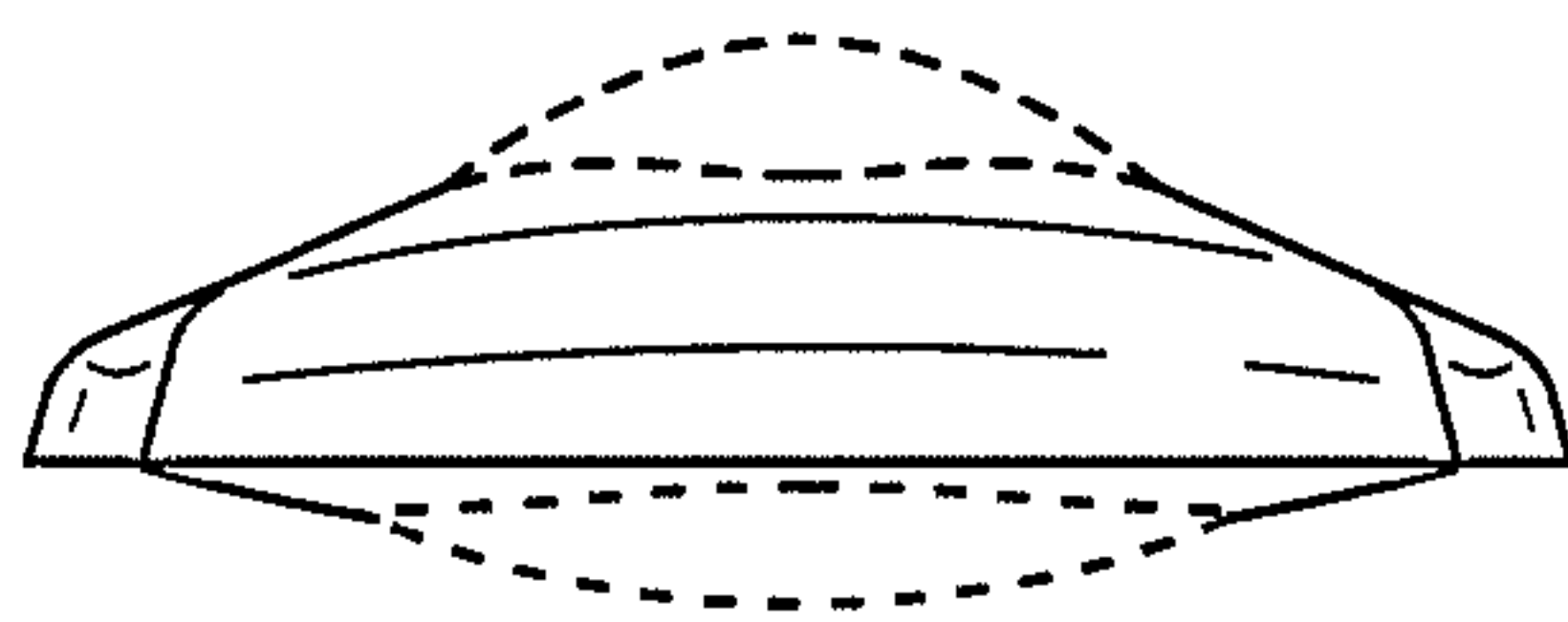


FIG. 8