



US00D703915S

(12) **United States Design Patent**  
**Irvine et al.**

(10) **Patent No.:** **US D703,915 S**

(45) **Date of Patent:** **\*\* Apr. 29, 2014**

- (54) **PET URN ENCLOSURE**
- (71) Applicant: **Paw Pods LLC**, Lake Orion, MI (US)
- (72) Inventors: **Robert J. Irvine**, Highland, MI (US);  
**Benjamin V. Riggan**, Lake Orion, MI (US)
- (73) Assignee: **Paw Pods, LLC**, Lake Orion, MI (US)
- (\*\*) Term: **14 Years**
- (21) Appl. No.: **29/450,219**
- (22) Filed: **Mar. 15, 2013**
- (51) **LOC (10) Cl.** ..... **99-00**
- (52) **U.S. Cl.**  
CPC ..... **A61G 17/08** (2013.01)  
USPC ..... **D99/5**
- (58) **Field of Classification Search**  
USPC ..... D99/5, 3, 1; 27/1; D7/539, 590;  
D9/629; 220/553, 780, 781, 324, 326;  
D11/156  
See application file for complete search history.

D375,456 S *	11/1996	Borgmann .....	D9/629
D375,702 S *	11/1996	Regan .....	D11/81
D383,061 S *	9/1997	Kolby-Larsen .....	D9/629
D407,854 S *	4/1999	DeGaetano .....	D28/80
D437,670 S *	2/2001	Rivera et al. ....	D99/5
D449,147 S *	10/2001	Herwig .....	D1/112
D460,687 S *	7/2002	Weinstock .....	D9/629
D470,991 S *	2/2003	Goldstein .....	D99/5
D478,657 S *	8/2003	Fontana et al. ....	D24/102
D508,166 S *	8/2005	Liu .....	D3/271.1
D509,637 S *	9/2005	Wozniak .....	D99/5
D515,267 S *	2/2006	Wozniak .....	D99/5
D526,571 S *	8/2006	Terrasi .....	D9/629
D622,024 S *	8/2010	School .....	D99/5
D648,504 S *	11/2011	Khan .....	D99/5

\* cited by examiner

*Primary Examiner* — Paula Greene

(74) *Attorney, Agent, or Firm* — John A. Miller; Miller IP Group, PLC

(57) **CLAIM**

The ornamental design for a pet urn enclosure, as shown and described.

**DESCRIPTION**

FIG. 1 is a top perspective view showing our new pet urn enclosure;  
 FIG. 2 is a bottom perspective view thereof;  
 FIG. 3 is a top elevational view thereof;  
 FIG. 4 is a front elevational view thereof;  
 FIG. 5 is a rear elevational view thereof;  
 FIG. 6 is a first side elevational view thereof;  
 FIG. 7 is a second side elevational view thereof; and,  
 FIG. 8 is a bottom elevational view thereof.  
 The broken lines are for illustrative purposes only and form no part of the claimed design.

**1 Claim, 3 Drawing Sheets**

(56) **References Cited**  
U.S. PATENT DOCUMENTS

D142,998 S *	11/1945	Forman .....	D32/6
2,604,254 A *	7/1952	Rosenfield .....	229/116.2
D212,675 S *	11/1968	Ehrenfeld .....	D9/629
3,610,510 A *	10/1971	Lowry .....	229/116.2
D239,596 S *	4/1976	Dogliotti .....	D9/629
D252,590 S *	8/1979	Peretti et al. ....	D28/80
D263,813 S *	4/1982	Buschmann .....	D11/83
D296,762 S *	7/1988	Sato .....	D9/629
D296,871 S *	7/1988	Sato .....	D9/629
D322,515 S *	12/1991	Her .....	D3/221
D363,303 S *	10/1995	Winston .....	D18/18

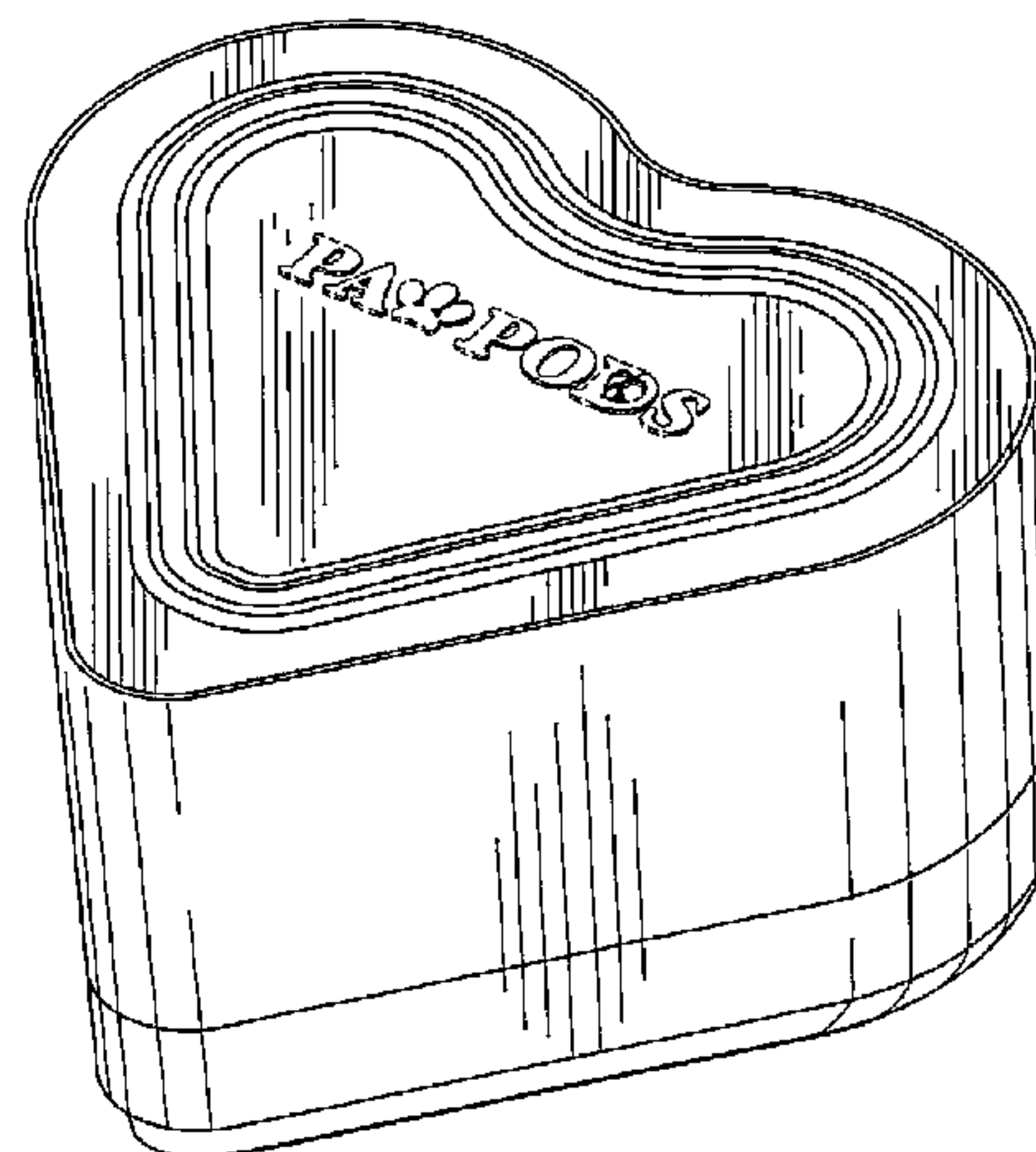
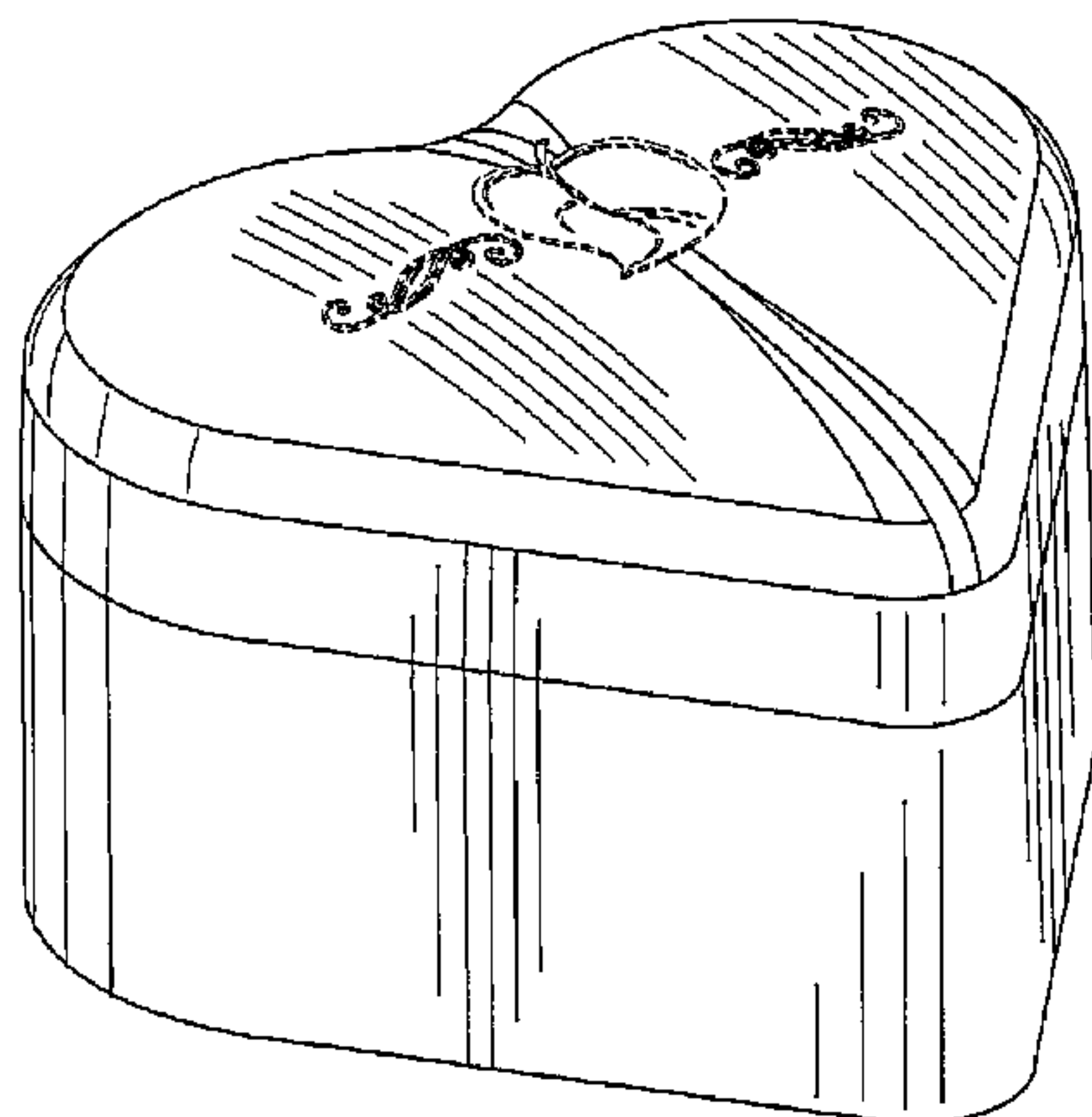


FIG - 1

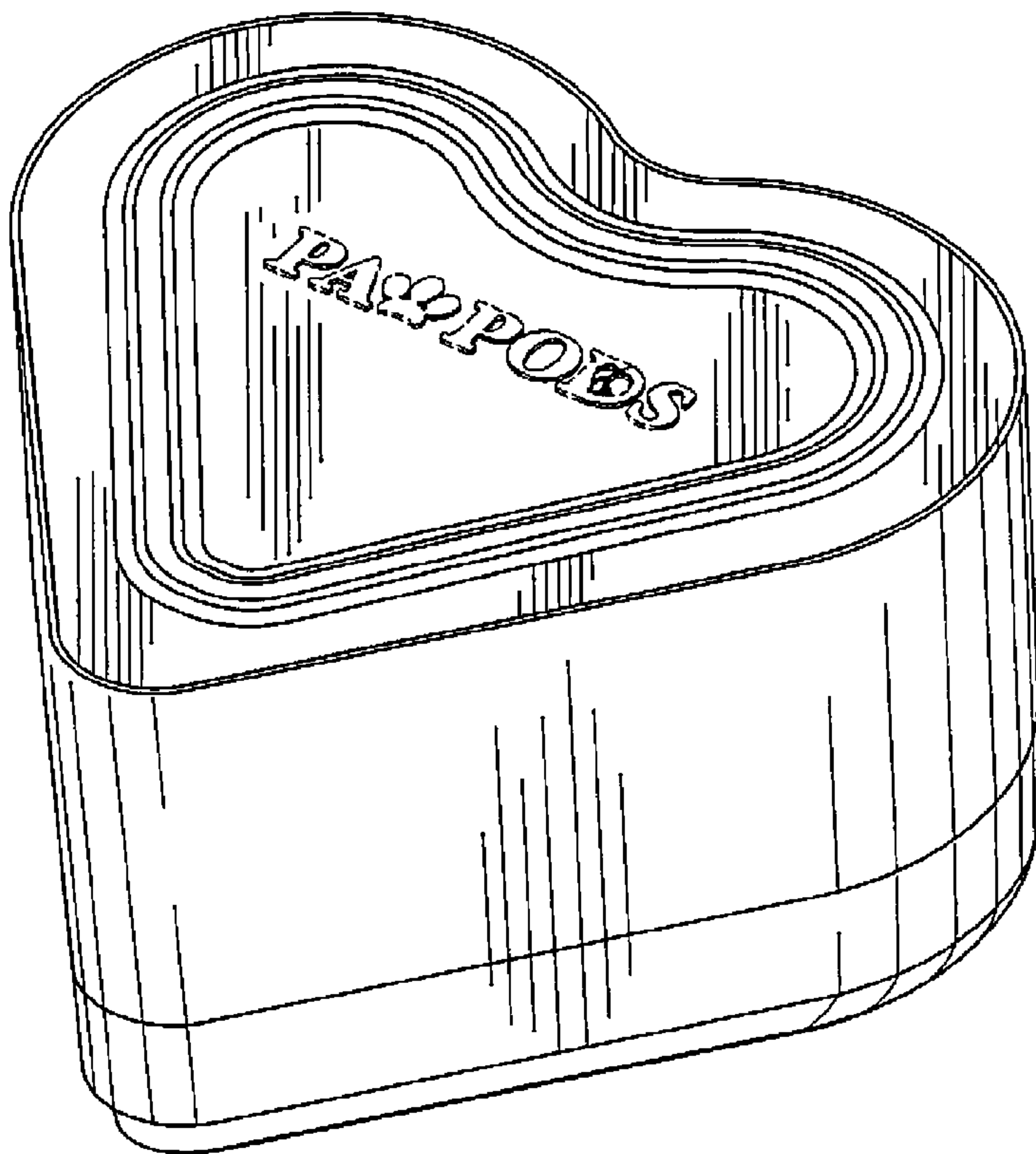
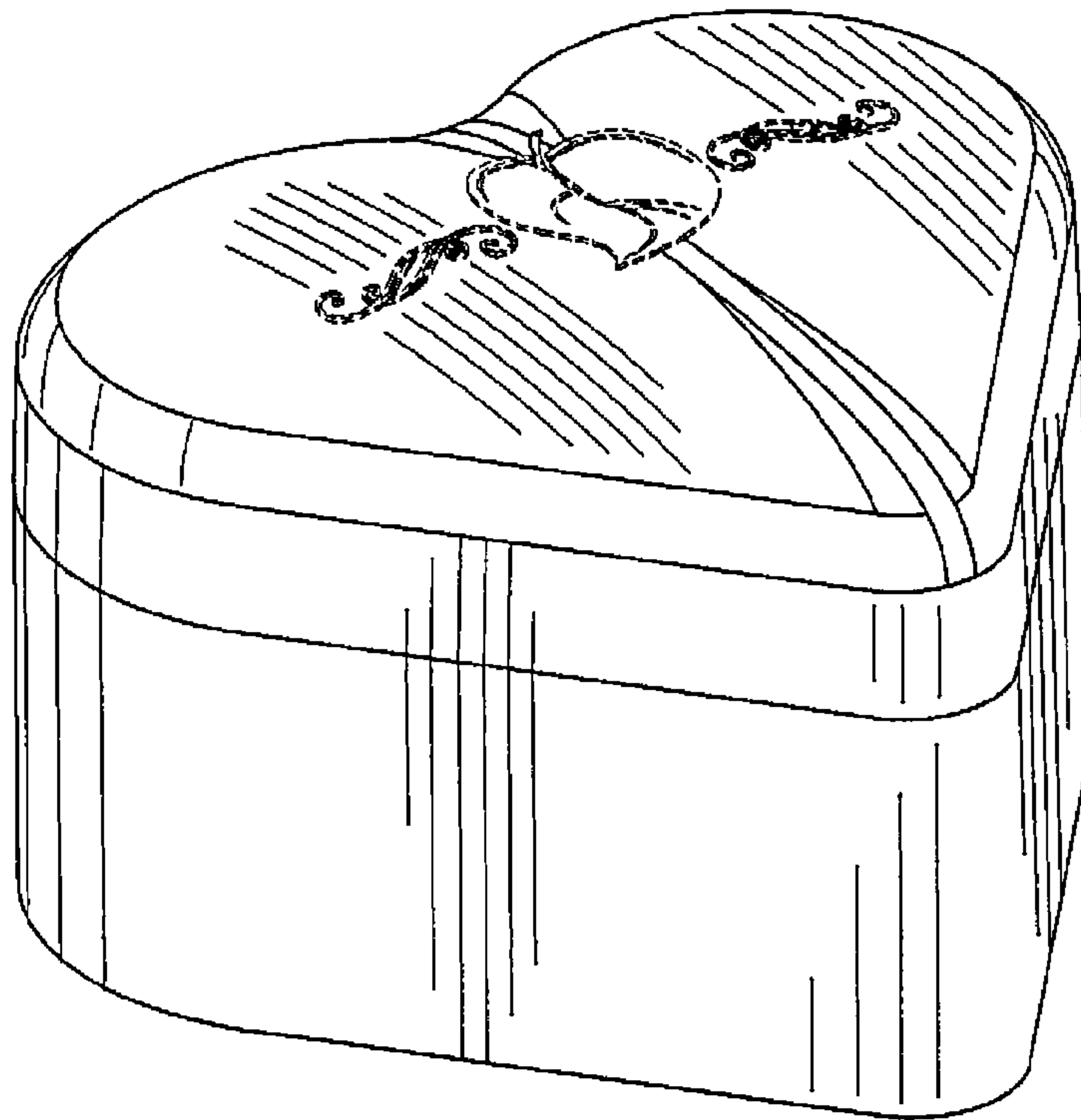


FIG - 2

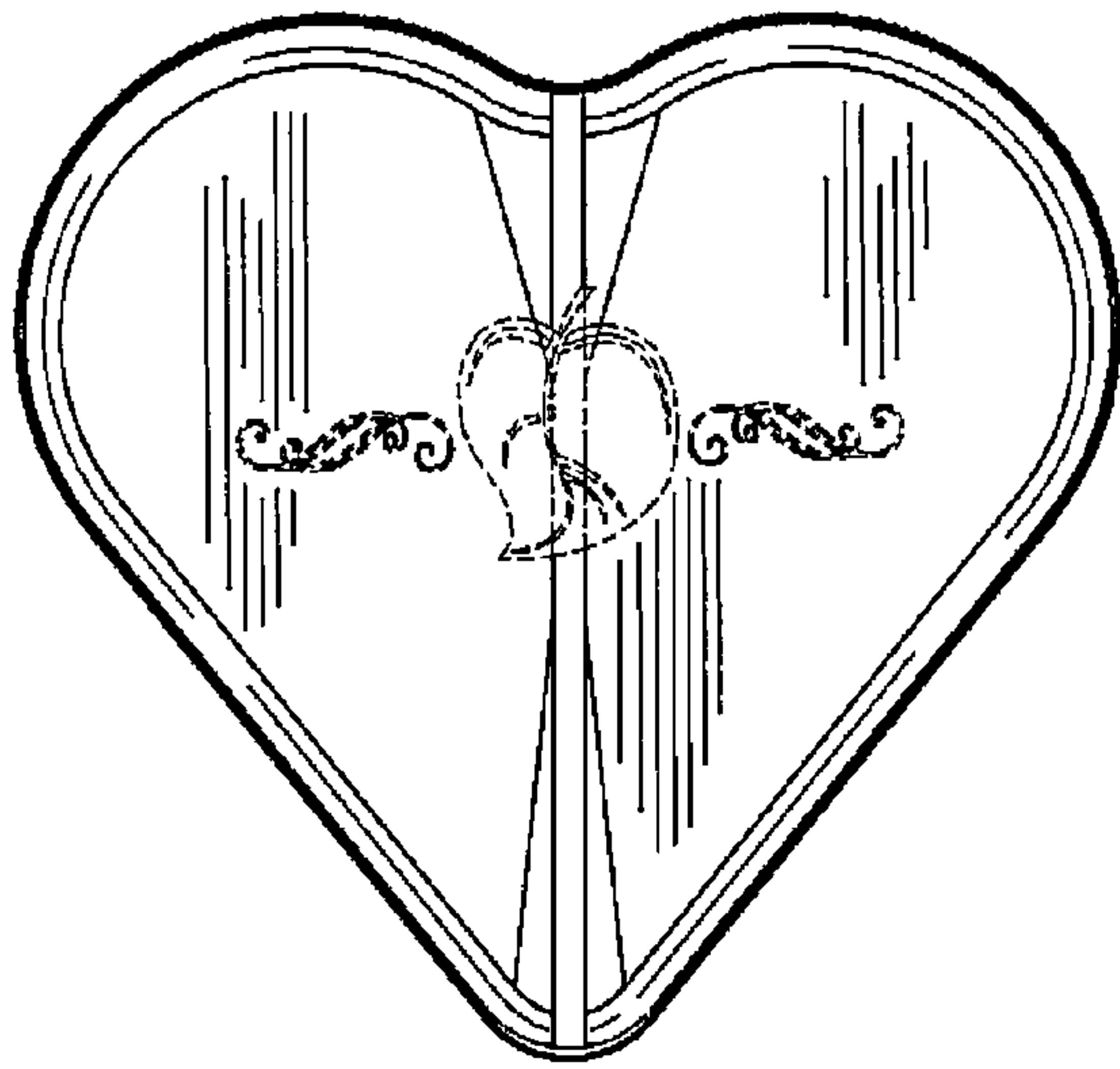


FIG - 3

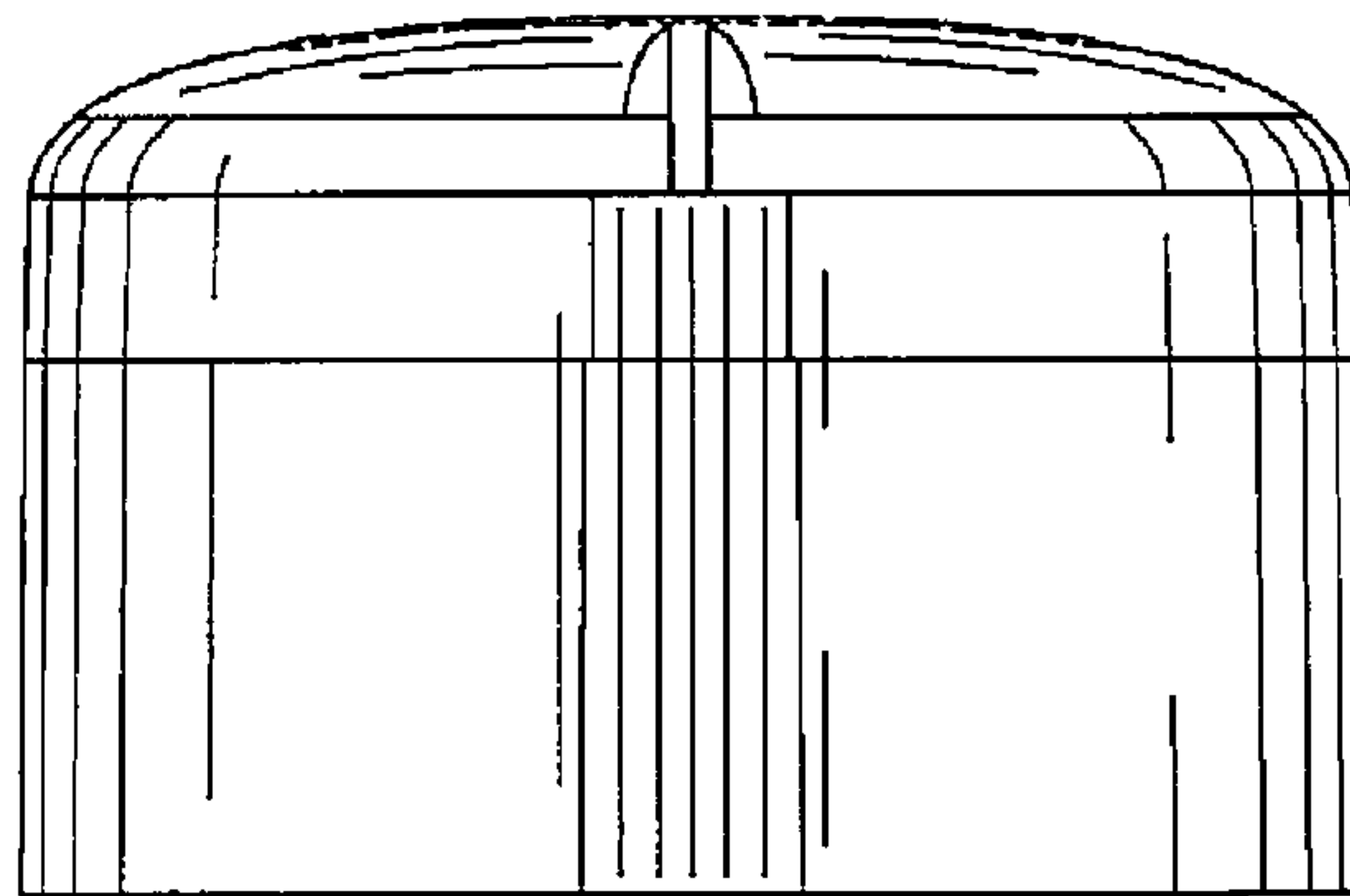


FIG - 4

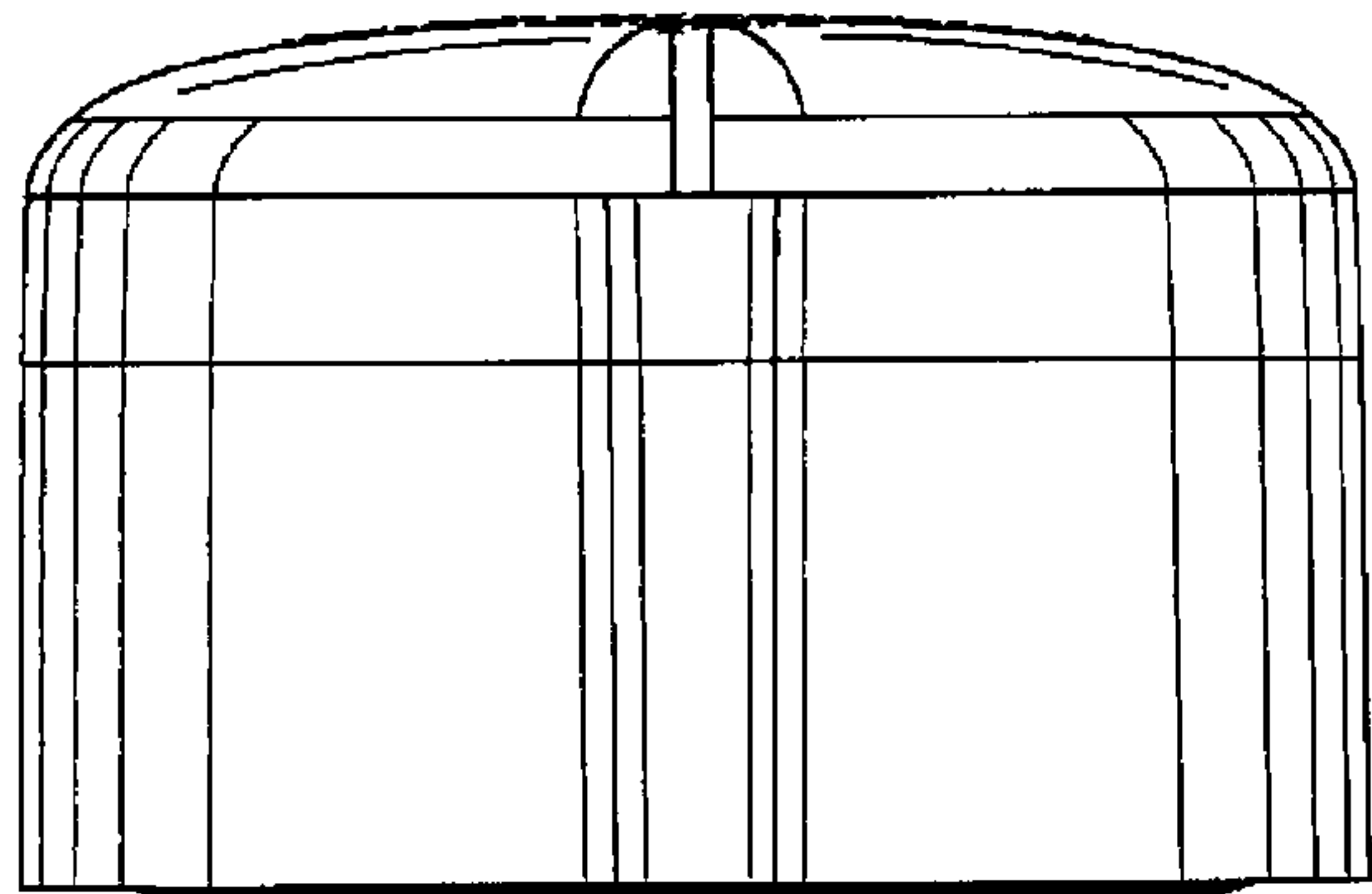


FIG - 5

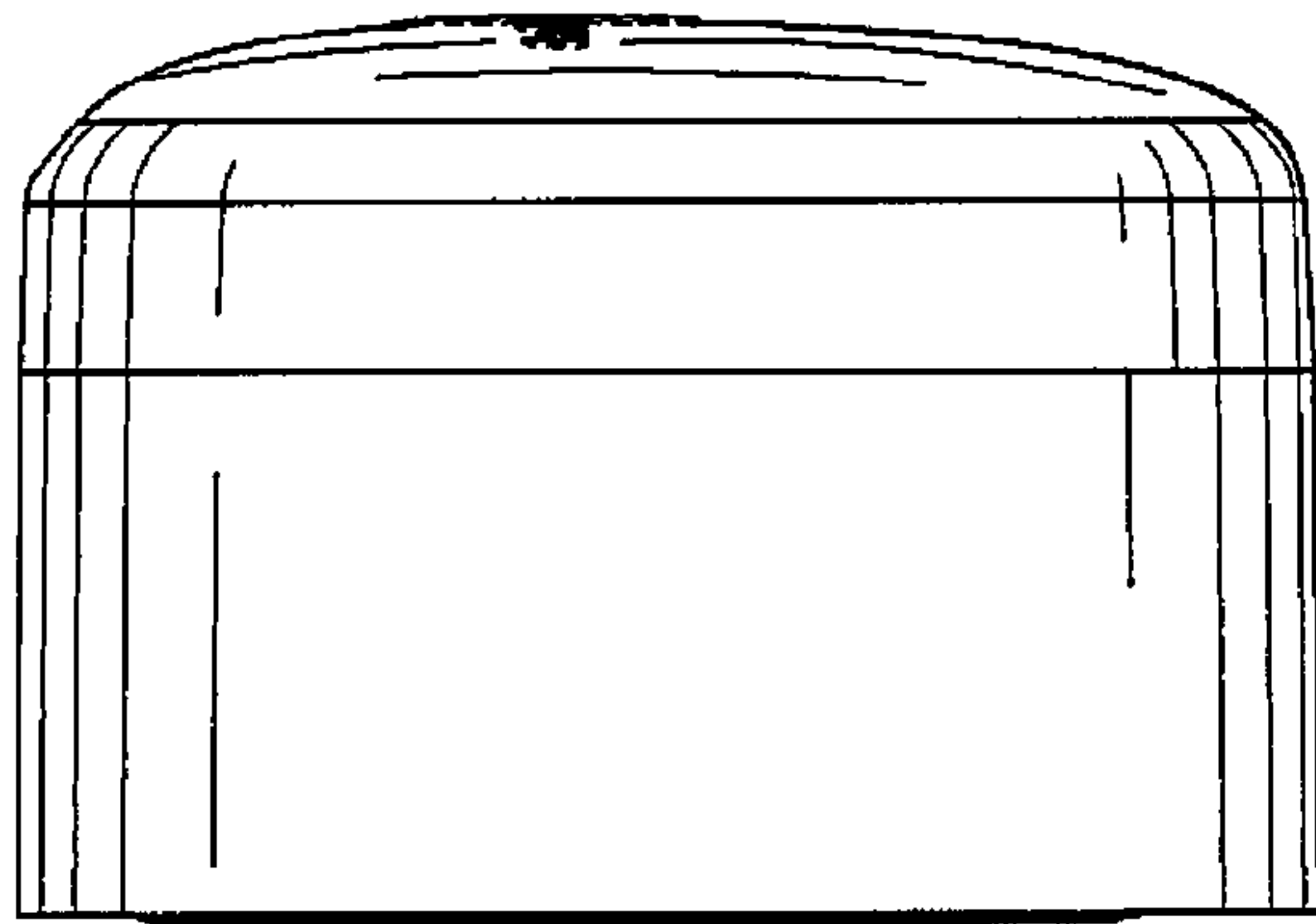


FIG - 6

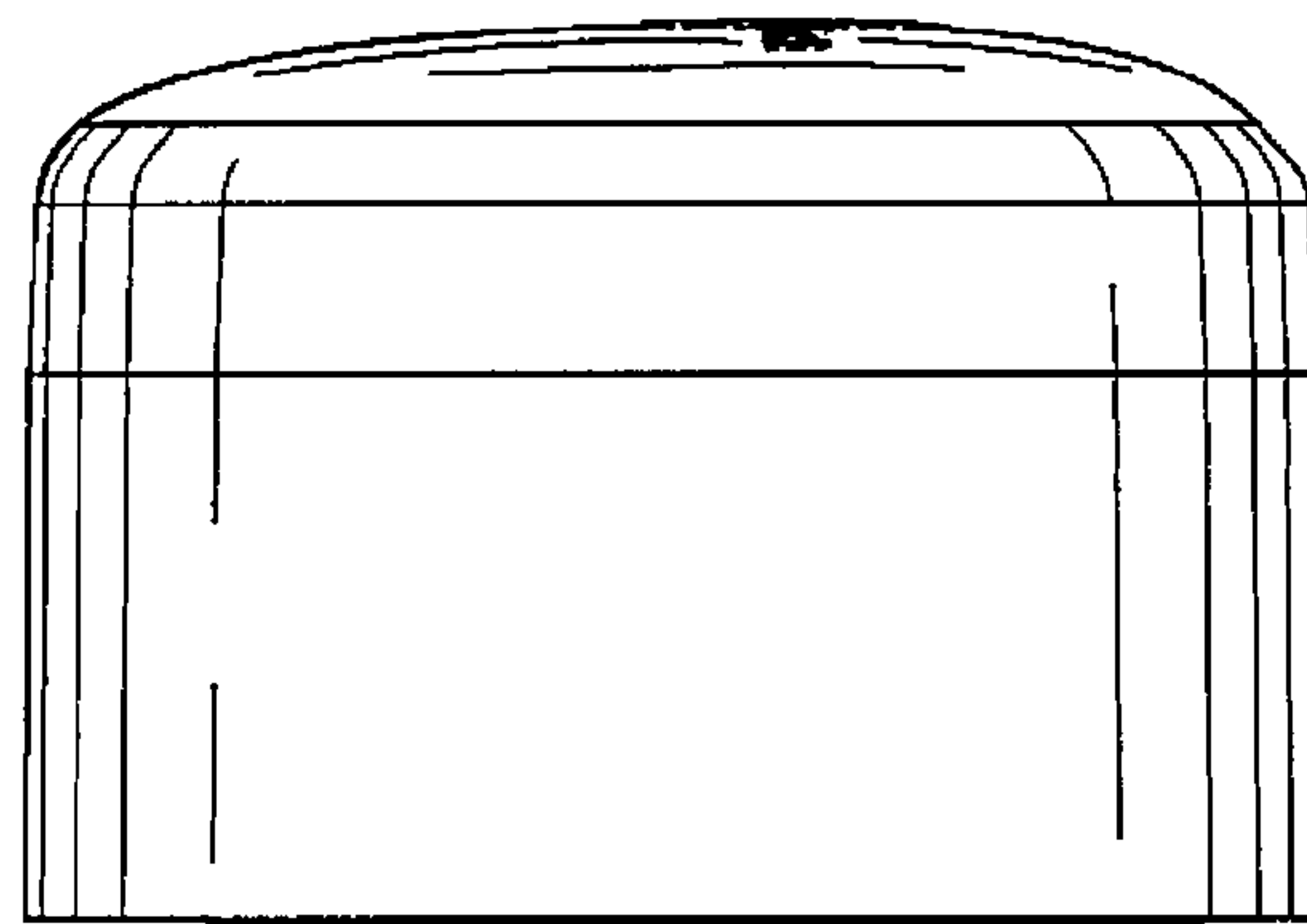


FIG - 7

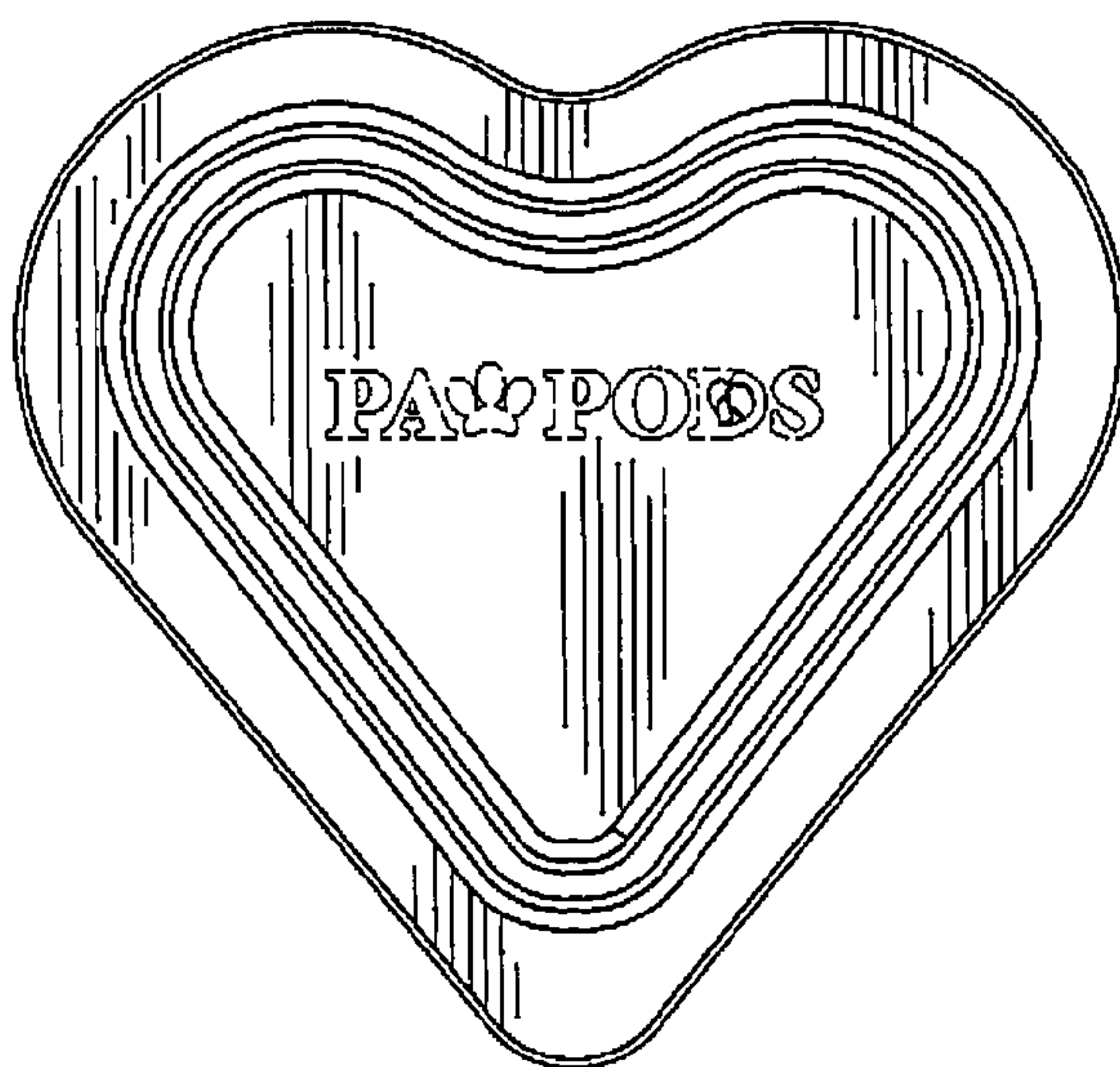


FIG - 8