



US00D703912S

(12) **United States Design Patent**
Irvine et al.

(10) **Patent No.:** **US D703,912 S**
(45) **Date of Patent:** **** Apr. 29, 2014**

(54) **PET BURIAL POD**

(71) Applicant: **Paw Pods LLC**, Lake Orion, MI (US)

(72) Inventors: **Robert J. Irvine**, Highland, MI (US);
Benjamin V. Riggan, Lake Orion, MI (US)

(73) Assignee: **Paw Pods, LLC**, Lake Orion, MI (US)

(**) Term: **14 Years**

(21) Appl. No.: **29/450,177**

(22) Filed: **Mar. 15, 2013**

(51) **LOC (10) Cl.** **99-00**

(52) **U.S. Cl.**
CPC **A61G 17/08** (2013.01)
USPC **D99/5**

(58) **Field of Classification Search**
CPC **A61G 17/08**
USPC **D99/1, 5; D3/302; D7/602, 542, 590;**
D11/156; D9/418, 563, 424, 425, 670;
206/508, 515; 220/324, 780, 781, 784,
220/833, 553, 788
See application file for complete search history.

(56) **References Cited**

U.S. PATENT DOCUMENTS

2,695,645 A * 11/1954 Tupper 220/797
2,913,140 A * 11/1959 Vuilleminot 220/210
D212,678 S * 11/1968 Baldwin D7/629
D213,310 S * 2/1969 Collie D9/425
3,448,808 A * 6/1969 Olson et al. 169/59

3,484,015 A * 12/1969 Rowan 220/4.21
D238,148 S * 12/1975 Magnus D7/629
3,981,401 A * 9/1976 Blanchard 206/508
D250,987 S * 2/1979 Stahel D7/629
D253,975 S * 1/1980 Brunson D99/6
D282,808 S * 3/1986 Daenen et al. D7/602
D355,814 S * 2/1995 VanValkenburg et al. D7/629
D377,739 S * 2/1997 Carlson D7/602
D415,870 S * 10/1999 Severson et al. D99/1
D505,840 S * 6/2005 Schultz et al. D7/629
7,090,089 B2 * 8/2006 Lown et al. 220/324
D539,505 S * 3/2007 White D99/7

* cited by examiner

Primary Examiner — Paula Greene

(74) *Attorney, Agent, or Firm* — John A. Miller; Miller IP Group, PLC

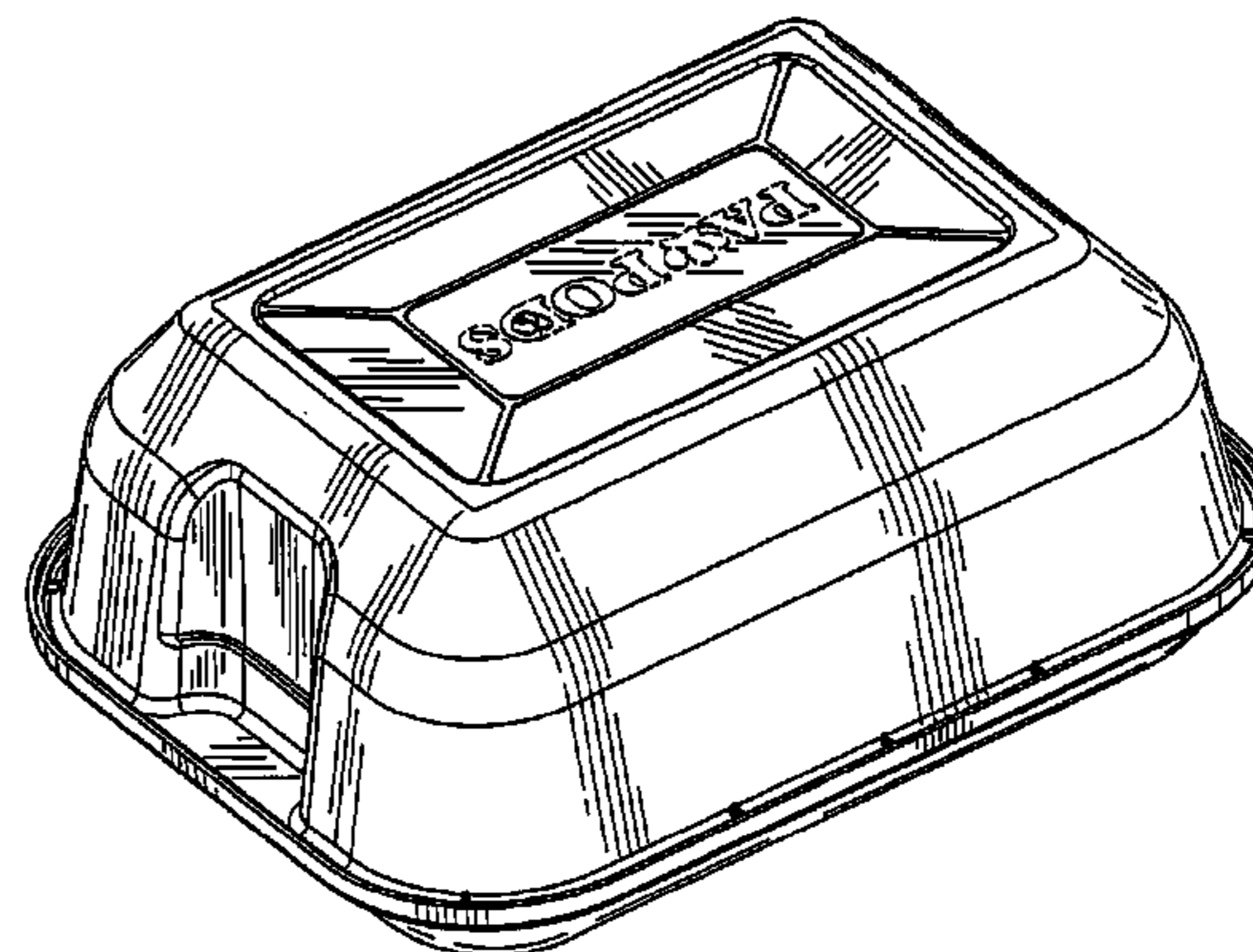
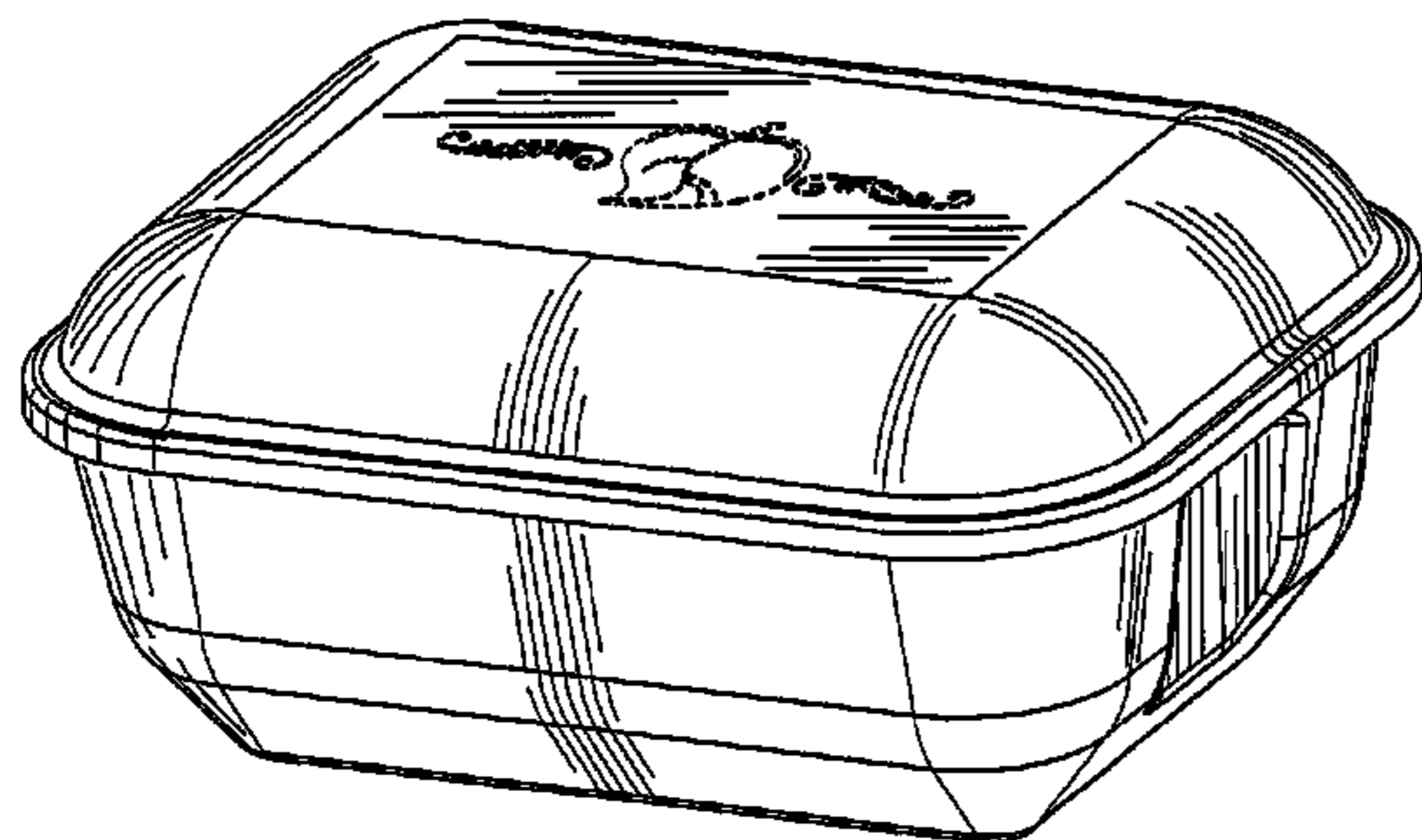
(57) **CLAIM**

The ornamental design for a pet burial pod, as shown and described.

DESCRIPTION

FIG. 1 is a top perspective view showing our new pet burial pod;
FIG. 2 is a bottom perspective view thereof;
FIG. 3 is a top elevational view thereof;
FIG. 4 is a first end elevational view thereof;
FIG. 5 is a first side elevational view thereof;
FIG. 6 is a second end elevational view thereof;
FIG. 7 is a second side elevational view thereof; and,
FIG. 8 is a bottom elevational view thereof.
The broken lines are for illustrative purposes only and form no part of the claimed design.

1 Claim, 4 Drawing Sheets



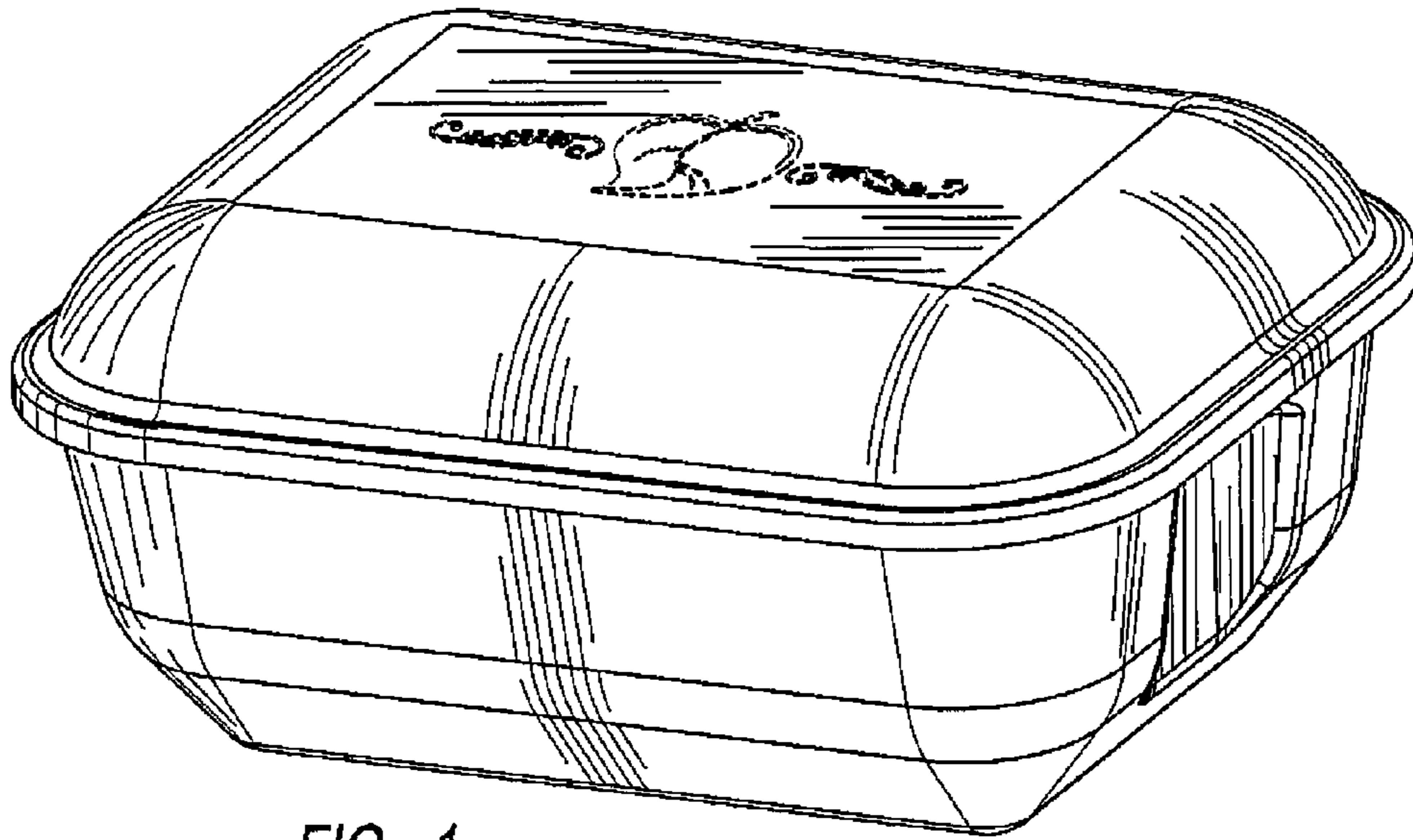


FIG - 1

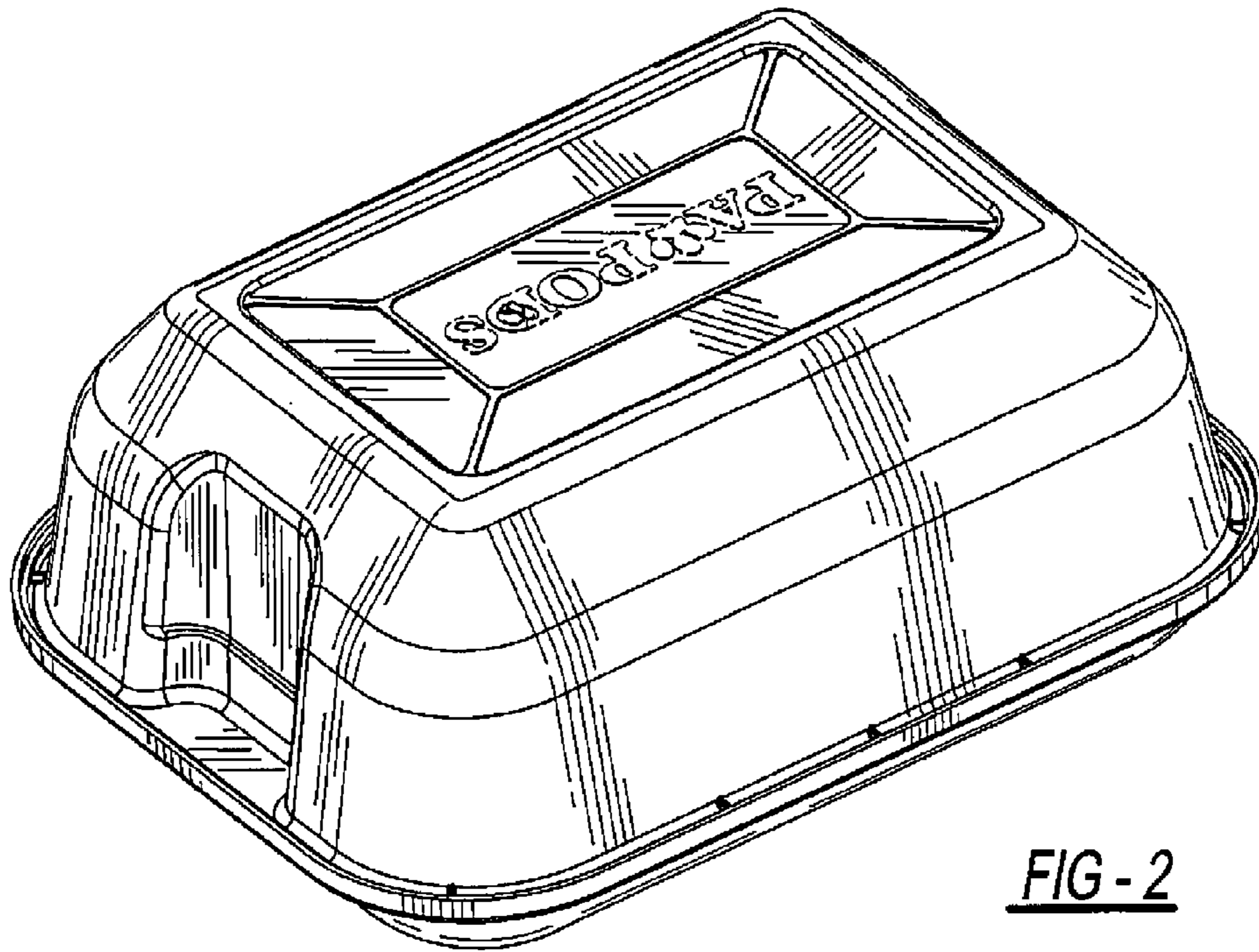


FIG - 2

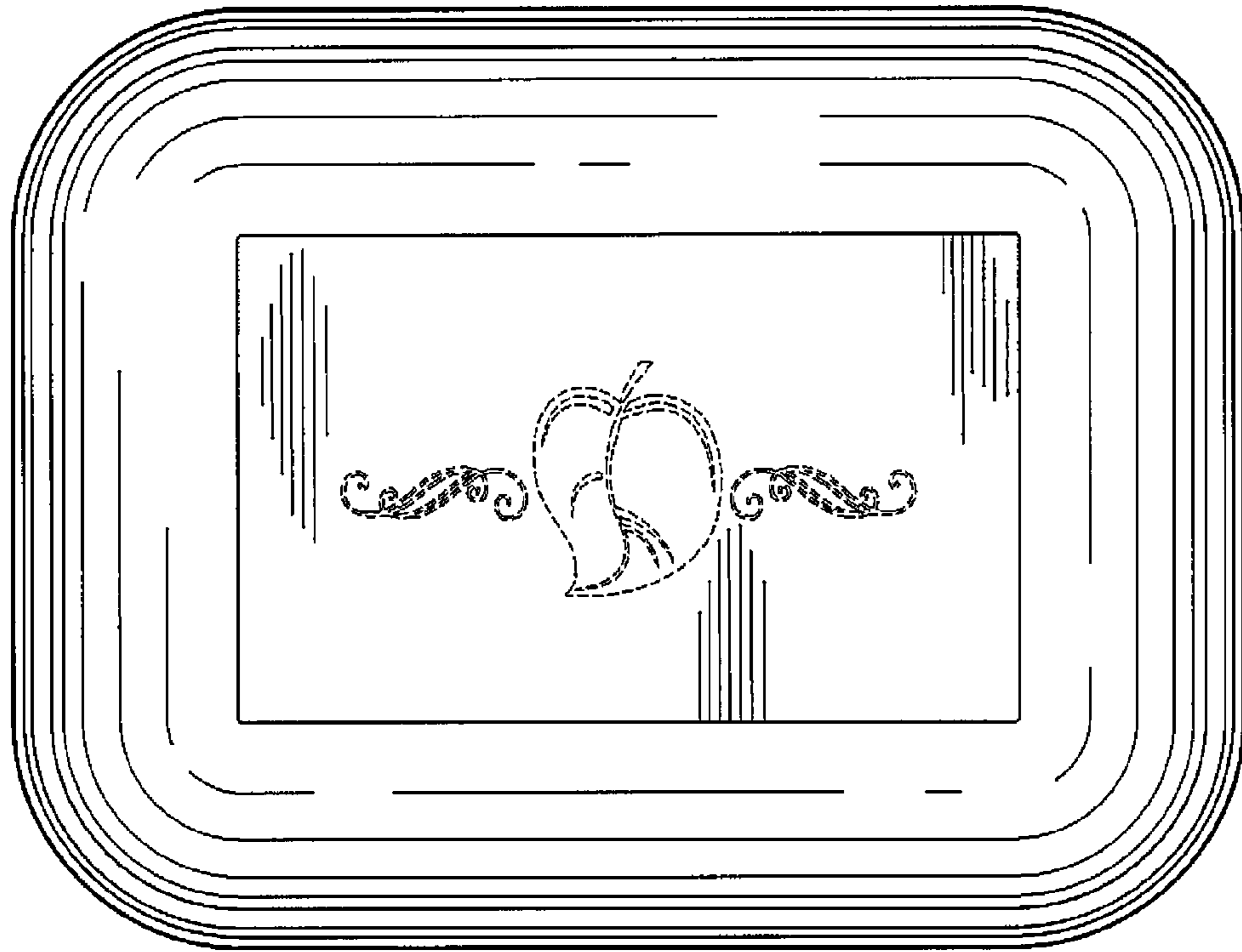


FIG - 3

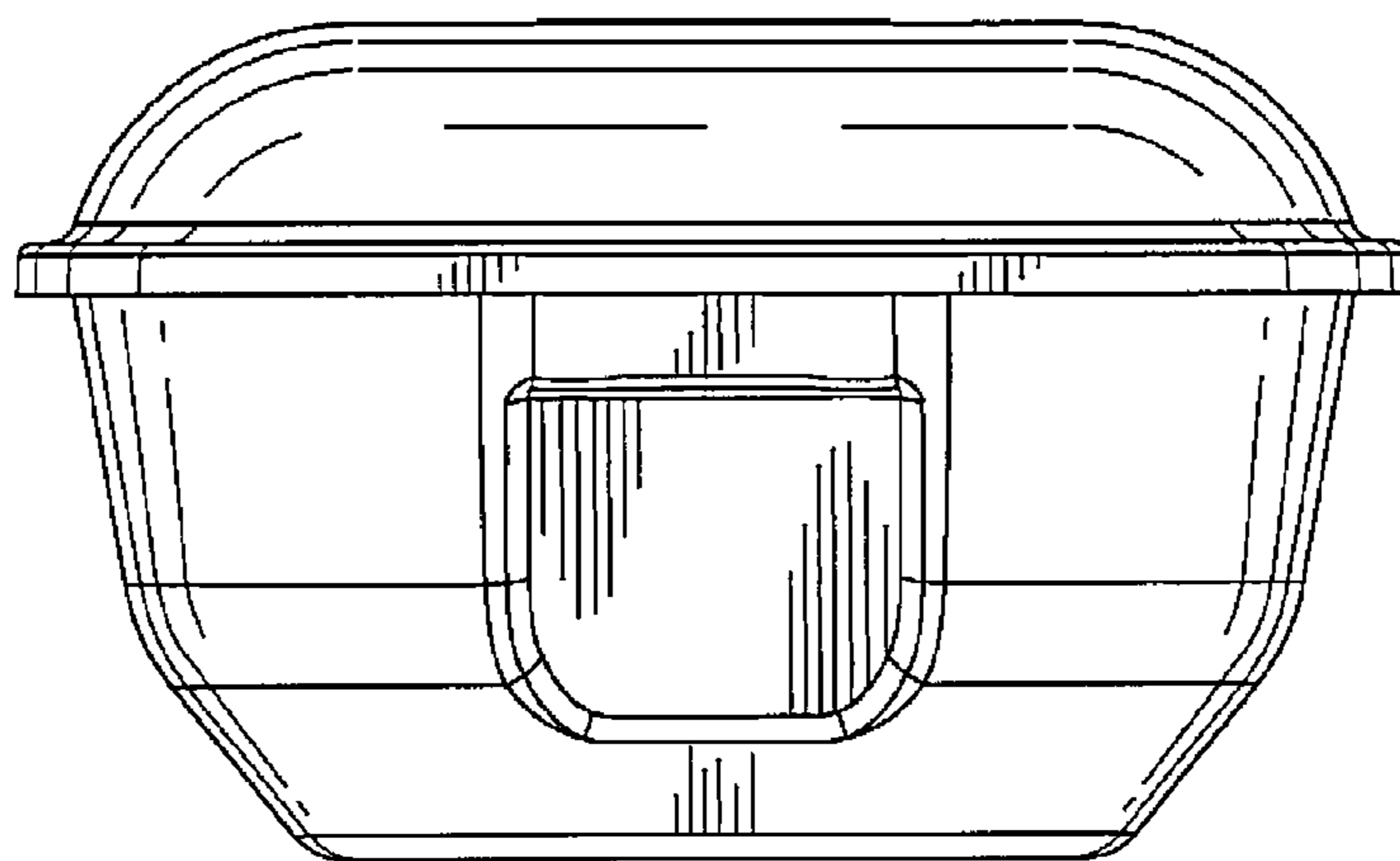


FIG - 4

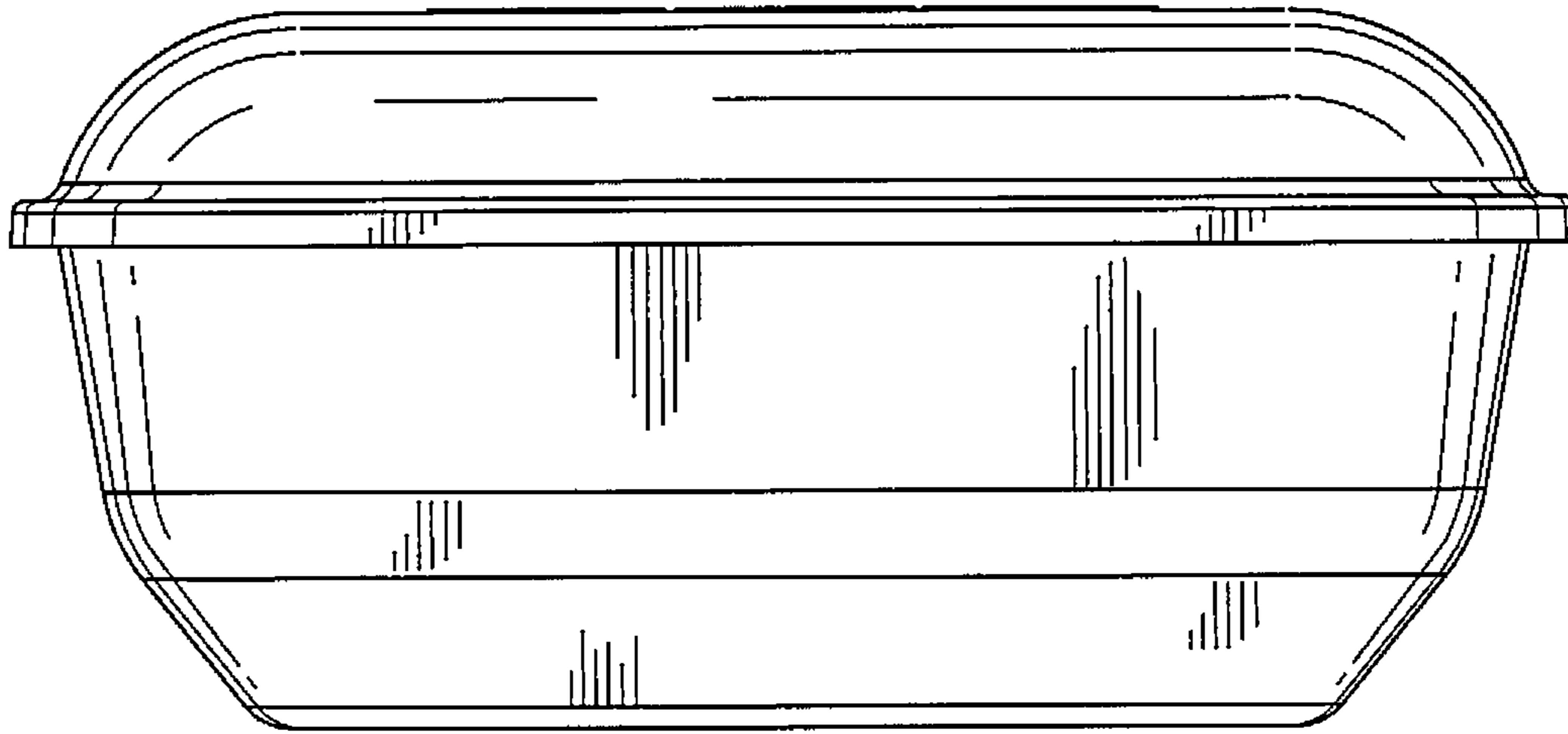


FIG - 5

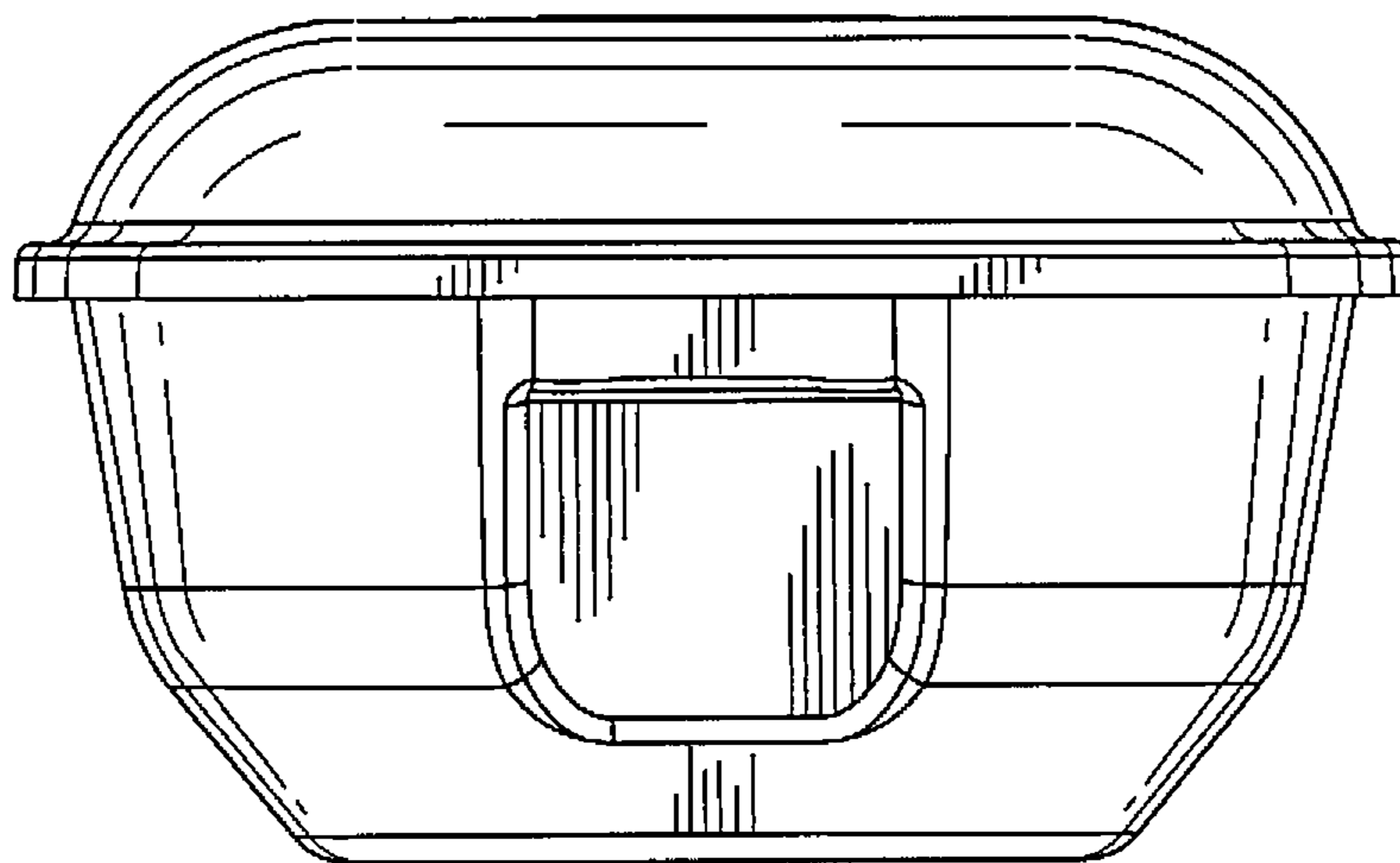


FIG - 6

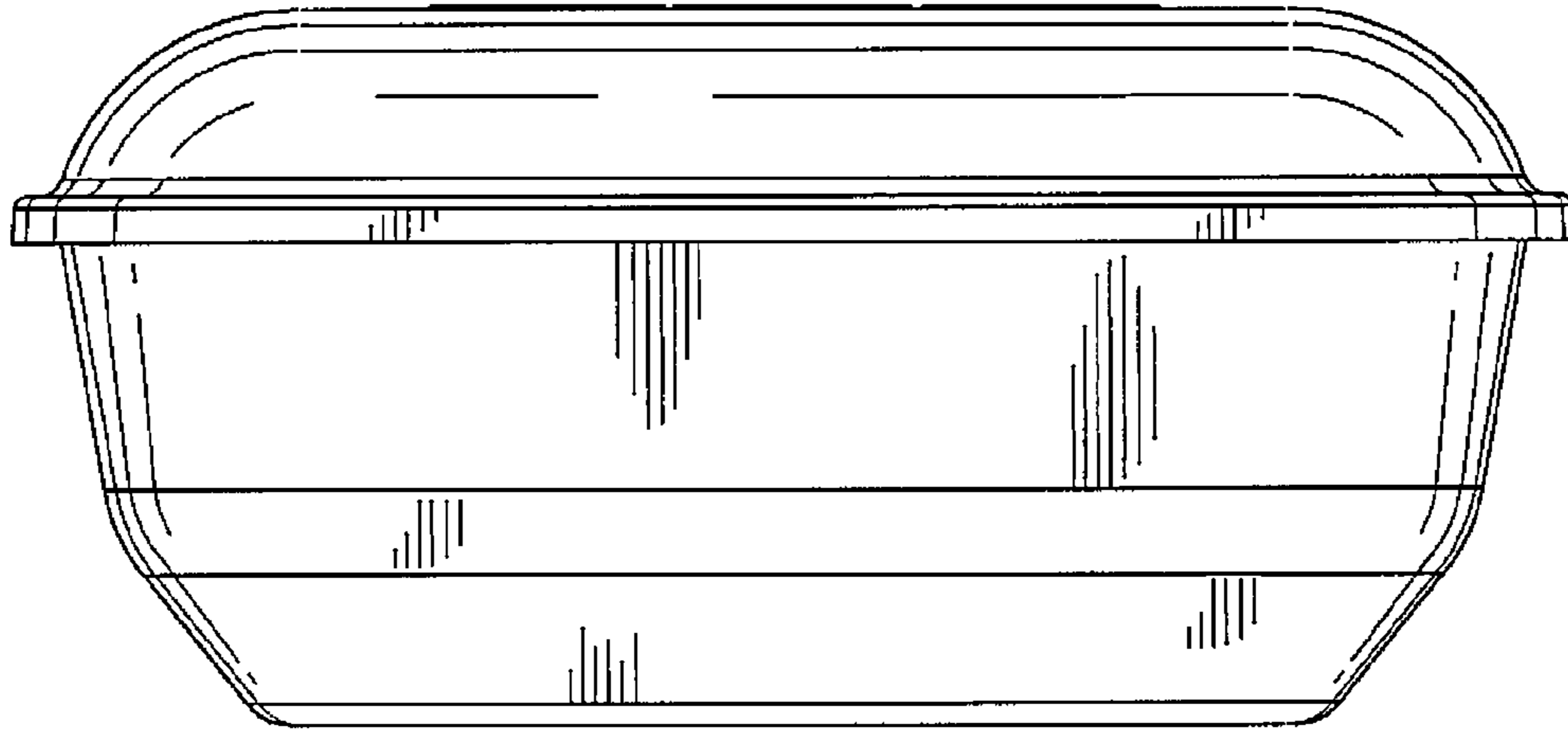


FIG - 7

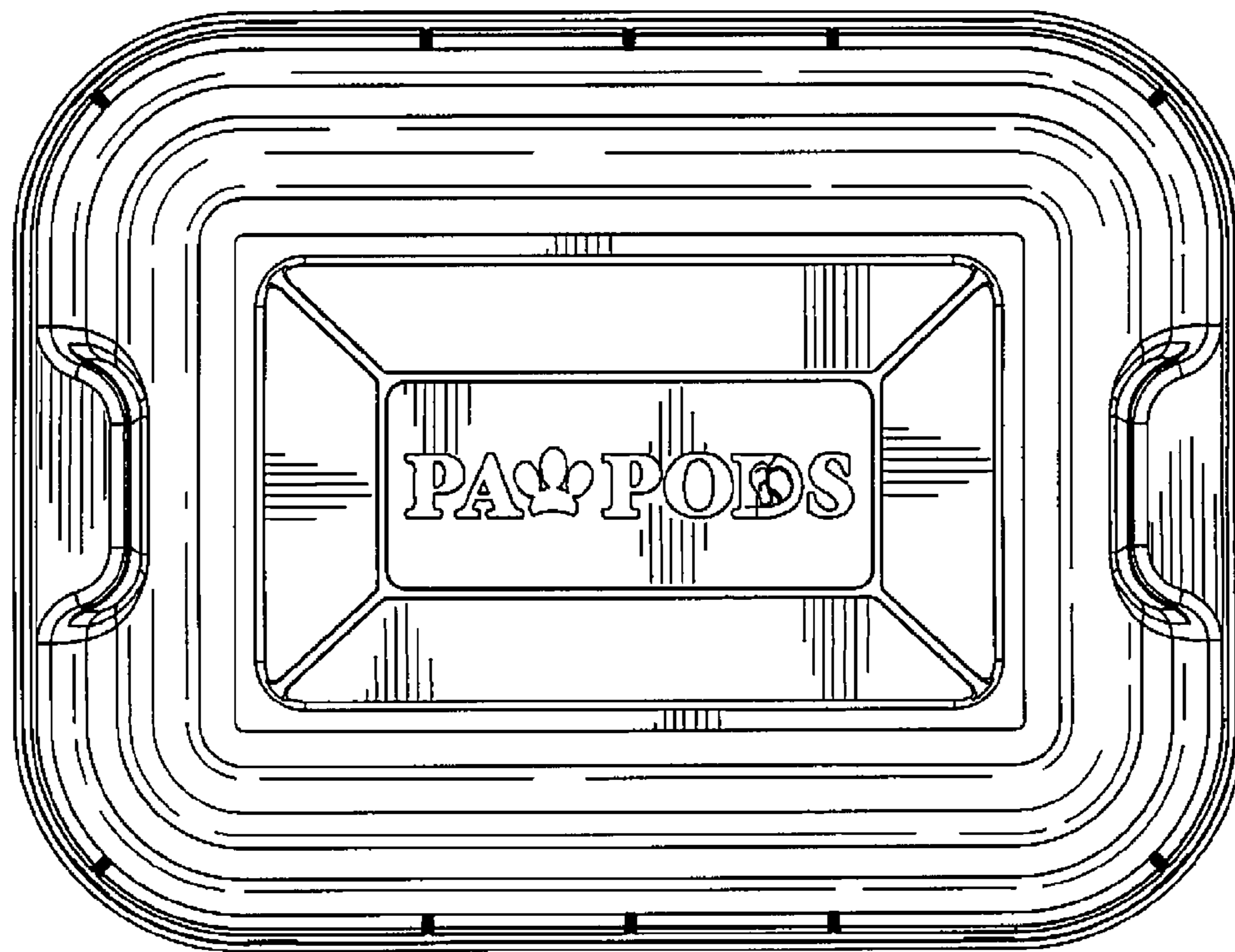


FIG - 8