



US00D703910S

(12) **United States Design Patent**
Raninen et al.

(10) **Patent No.:** **US D703,910 S**

(45) **Date of Patent:** **** Apr. 29, 2014**

(54) **PALLET**

(71) Applicant: **K. Hartwall Oy Ab**, Söderkulla (FI)

(72) Inventors: **Jussi Raninen**, Söderkulla (FI); **Jack Grönholm**, Söderkulla (FI)

(73) Assignee: **K. Hartwell Oy Ab**, Soderkulla (FI)

(**) Term: **14 Years**

(21) Appl. No.: **29/452,162**

(22) Filed: **Apr. 12, 2013**

(30) **Foreign Application Priority Data**

Oct. 15, 2012 (EM) 002118604

(51) **LOC (10) Cl.** **09-08**

(52) **U.S. Cl.**
USPC **D34/38**

(58) **Field of Classification Search**
USPC D34/38; 108/51.11, 53.1, 53.3, 53.5,
108/55.1, 57.13

See application file for complete search history.

(56) **References Cited**

U.S. PATENT DOCUMENTS

2,455,197	A *	11/1948	Sullivan	108/52.1
2,615,661	A *	10/1952	Cushman	108/53.3
3,776,146	A *	12/1973	Morrison	108/57.3
4,145,974	A *	3/1979	Fleming et al.	108/57.29
D533,328	S *	12/2006	Wake	D34/38
D670,475	S *	11/2012	Cherneck	D34/38

* cited by examiner

Primary Examiner — Cynthia Ramirez

(74) *Attorney, Agent, or Firm* — McCormick, Paulding & Huber LLP

(57) **CLAIM**

The ornamental design for a pallet, as shown.

DESCRIPTION

FIG. 1 is a top view for a pallet comprising a new, original and ornamental design;

FIG. 2 is a bottom view thereof;

FIG. 3 is a front view thereof;

FIG. 4 is a left-hand side view thereof;

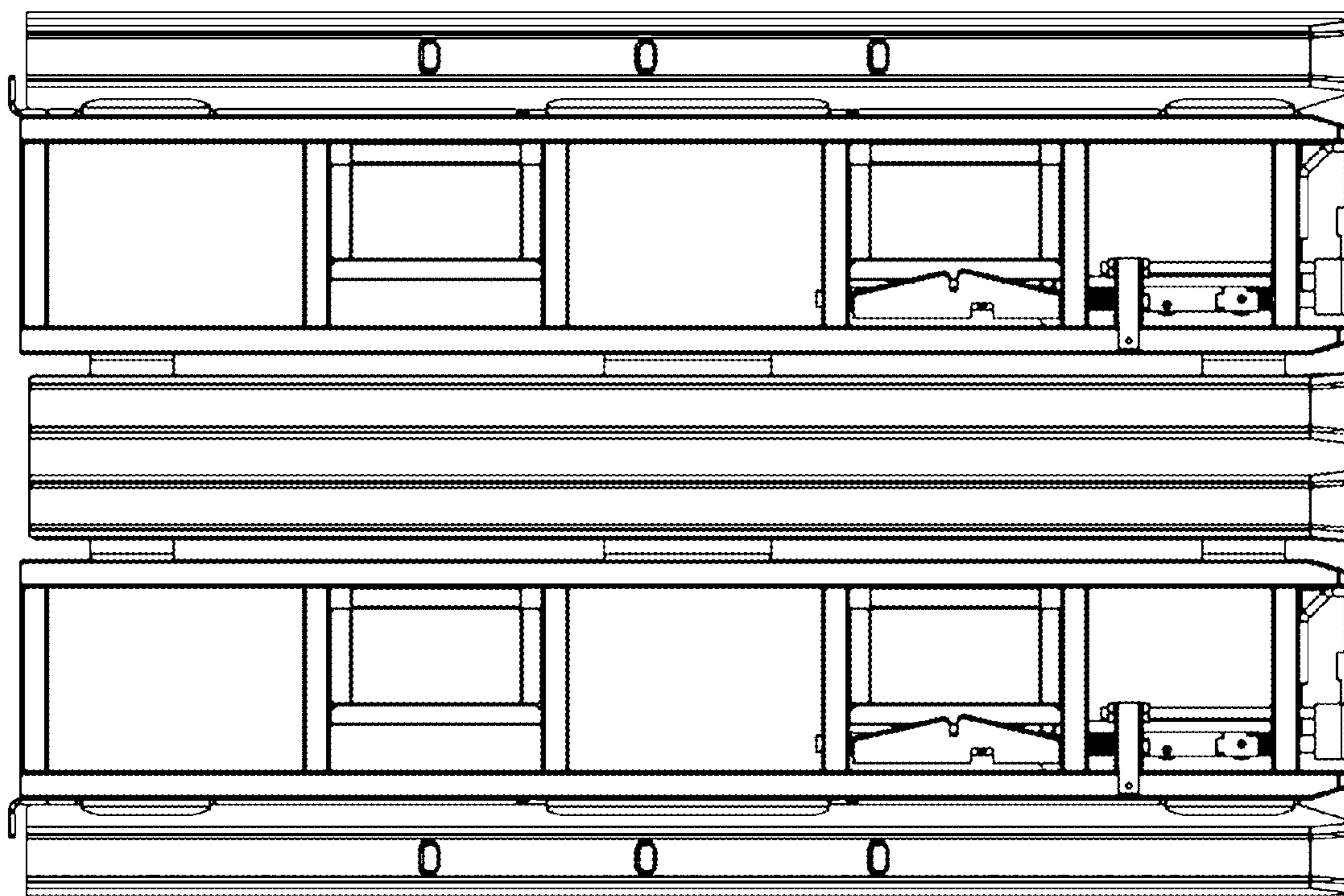
FIG. 5 is a right-hand side view thereof;

FIG. 6 is a top, front, left-hand side perspective view thereof;

FIG. 7 is a bottom, rear, left-hand side perspective view thereof; and,

FIG. 8 is a rear view thereof.

1 Claim, 6 Drawing Sheets



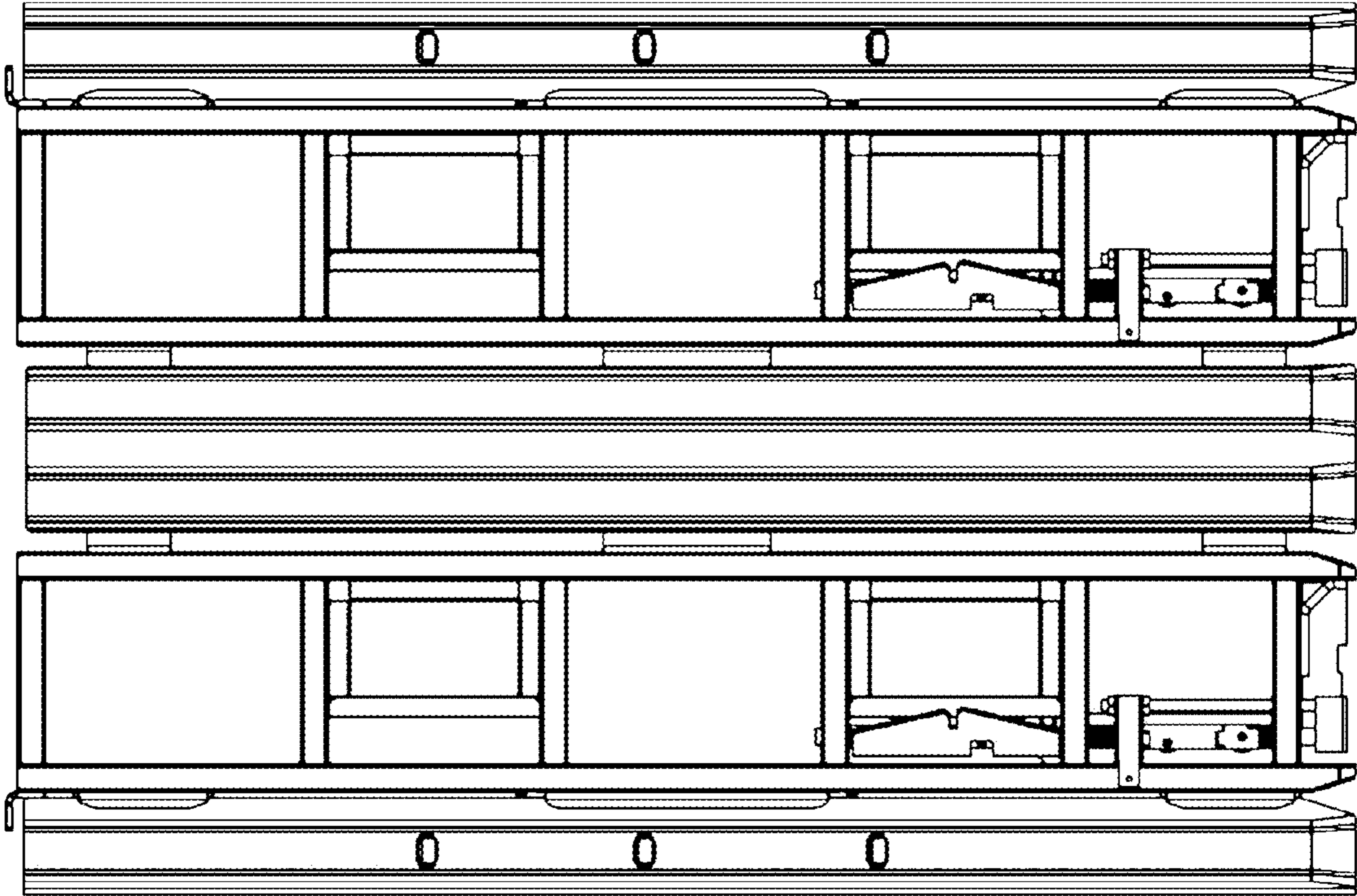


FIG. 1

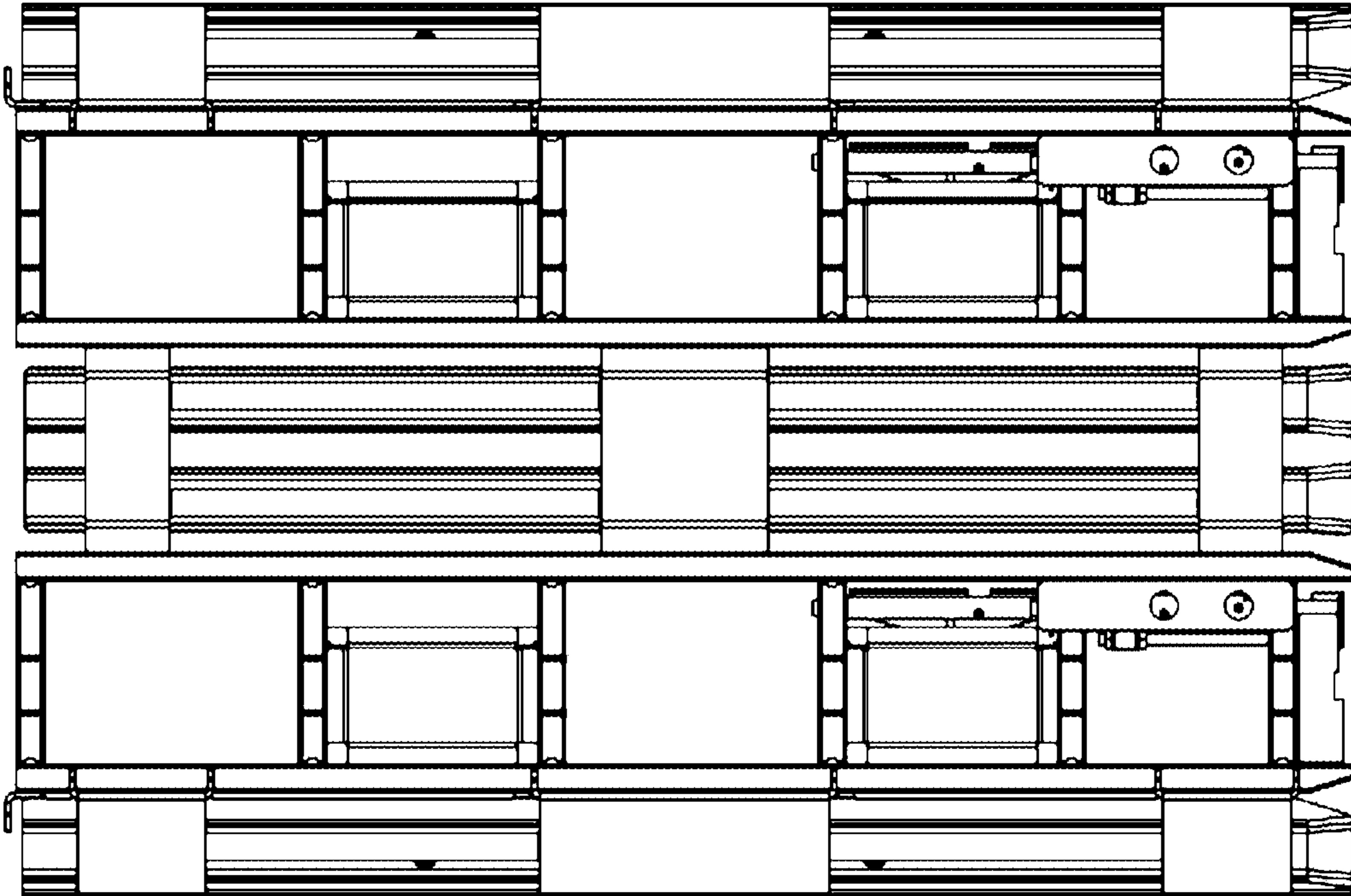


FIG. 2

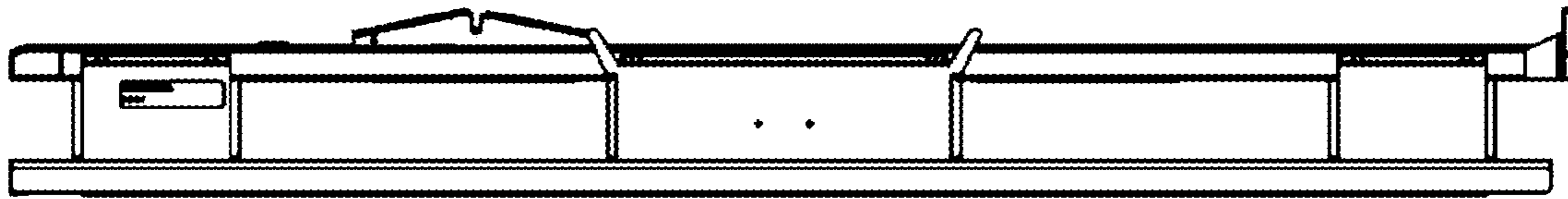


FIG. 3



FIG. 4



FIG. 5

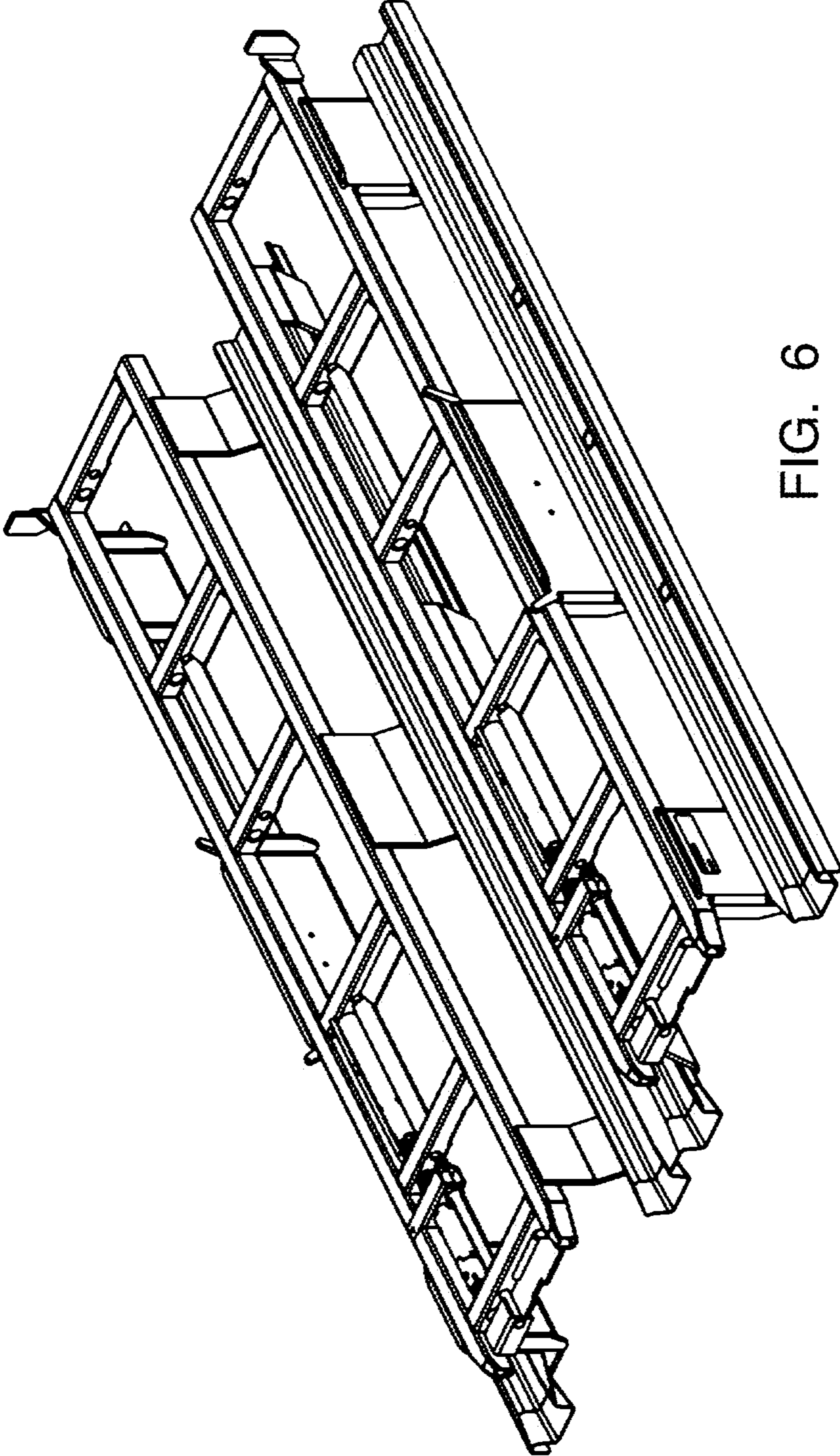


FIG. 6

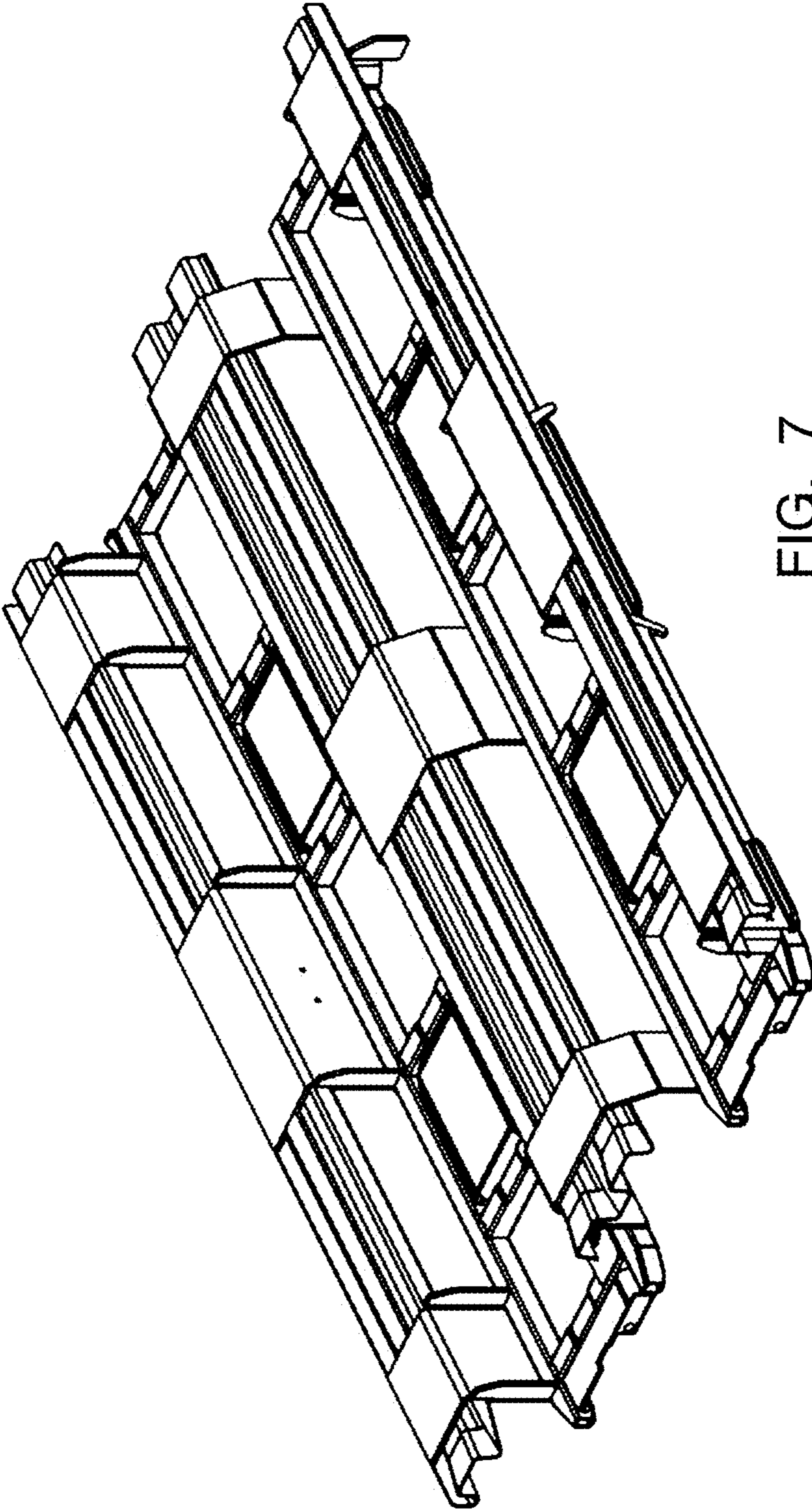


FIG. 7

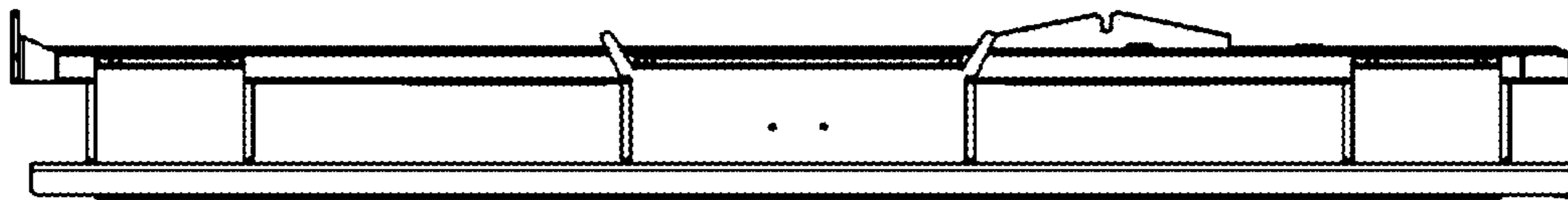


FIG. 8