



US00D703908S

(12) **United States Design Patent**
Hiraoka et al.

(10) **Patent No.:** **US D703,908 S**

(45) **Date of Patent:** **** Apr. 29, 2014**

(54) **FORKLIFT**

(71) Applicant: **TCM Corporation**, Tokyo (JP)

(72) Inventors: **Kazuhiko Hiraoka**, Tokyo (JP);
Shigehisa Hagura, Tokyo (JP);
Toshihiko Terashima, Tokyo (JP);
Munehito Adachi, Tokyo (JP); **Koji**
Shiizaki, Tokyo (JP); **Jun Fujita**, Tokyo
(JP); **Junichi Murakami**, Tokyo (JP);
Hironori Hiraoka, Tokyo (JP)

(73) Assignee: **TCM Corporation**, Tokyo (JP)

(**) Term: **14 Years**

(21) Appl. No.: **29/450,960**

(22) Filed: **Mar. 26, 2013**

(30) **Foreign Application Priority Data**

Dec. 6, 2012 (JP) 2012-029884

(51) **LOC (10) Cl.** **12-05**

(52) **U.S. Cl.**
USPC **D34/34**

(58) **Field of Classification Search**
USPC D34/34; 180/89.12, 89.13, 89.17;
187/222, 237, 238, 414
See application file for complete search history.

(56) **References Cited**

U.S. PATENT DOCUMENTS

D242,337 S 11/1976 Priester et al.
D369,010 S 4/1996 Soederberg
D571,522 S 6/2008 Bornhorst et al.
D576,775 S 9/2008 Buchmann et al.
D586,974 S 2/2009 Mori et al.

D587,425 S 2/2009 Mori et al.
D594,172 S 6/2009 Shibata et al.
D594,173 S 6/2009 Shibata et al.
D610,325 S 2/2010 Betzler
D612,563 S 3/2010 Stark
D652,194 S 1/2012 Shibata et al.
D657,111 S 4/2012 Shibata et al.
D663,502 S 7/2012 Lin
D681,902 S * 5/2013 Hiraoka et al. D34/34

OTHER PUBLICATIONS

Notice of Allowance U.S. Appl. No. 29/423,233 dated Feb. 20, 2013.
Non-Final Office Action U.S. Appl. No. 29/423,233 dated Nov. 15,
2012.

* cited by examiner

Primary Examiner — Cynthia Ramirez

(74) *Attorney, Agent, or Firm* — Foley & Lardner LLP

(57) **CLAIM**

The ornamental design for a forklift, as shown and described.

DESCRIPTION

FIG. 1 is a first perspective view of the front, top and left side
of a forklift showing our new design;

FIG. 2 is a second perspective view of the front, top and right
side thereof;

FIG. 3 is a front view thereof;

FIG. 4 is a rear view thereof;

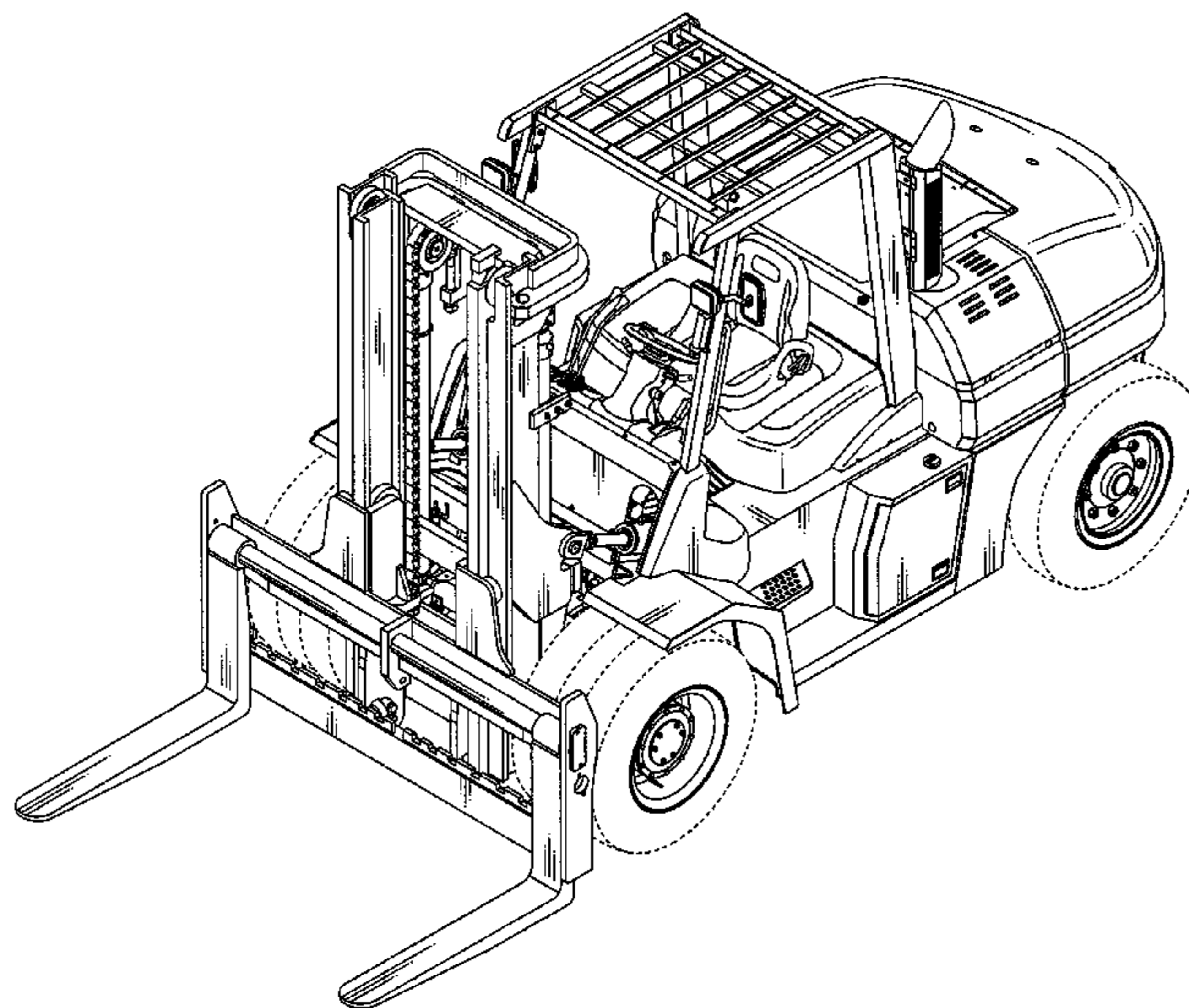
FIG. 5 is a left side view thereof;

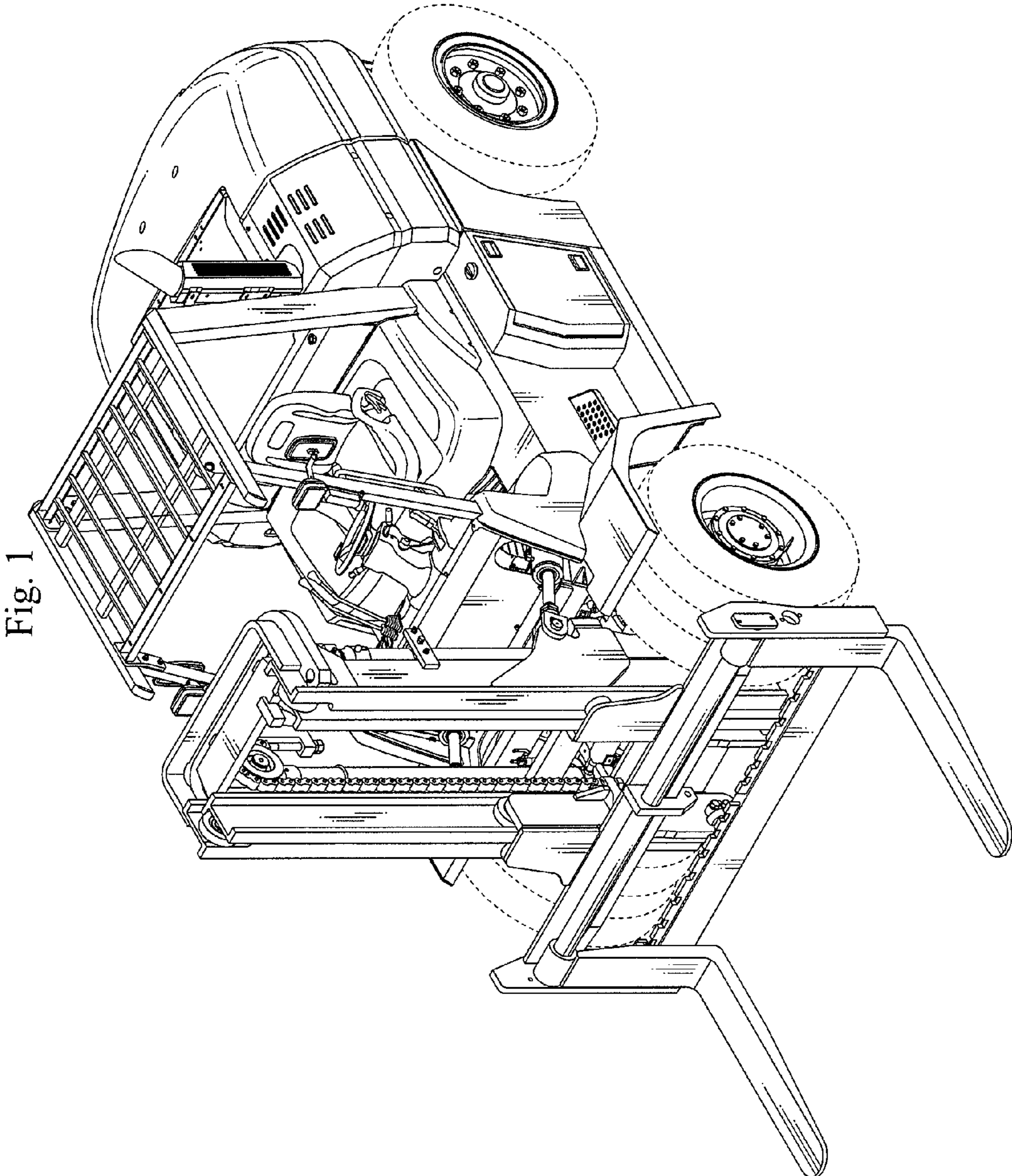
FIG. 6 is a right side view thereof; and,

FIG. 7 is a top plan view thereof; where the bottom view
thereof does not include ornamental design and thus the bot-
tom view is omitted.

The broken lines shown are included for the purpose of illus-
trating the unclaimed portions of the forklift and form no part
of the claimed design.

1 Claim, 7 Drawing Sheets





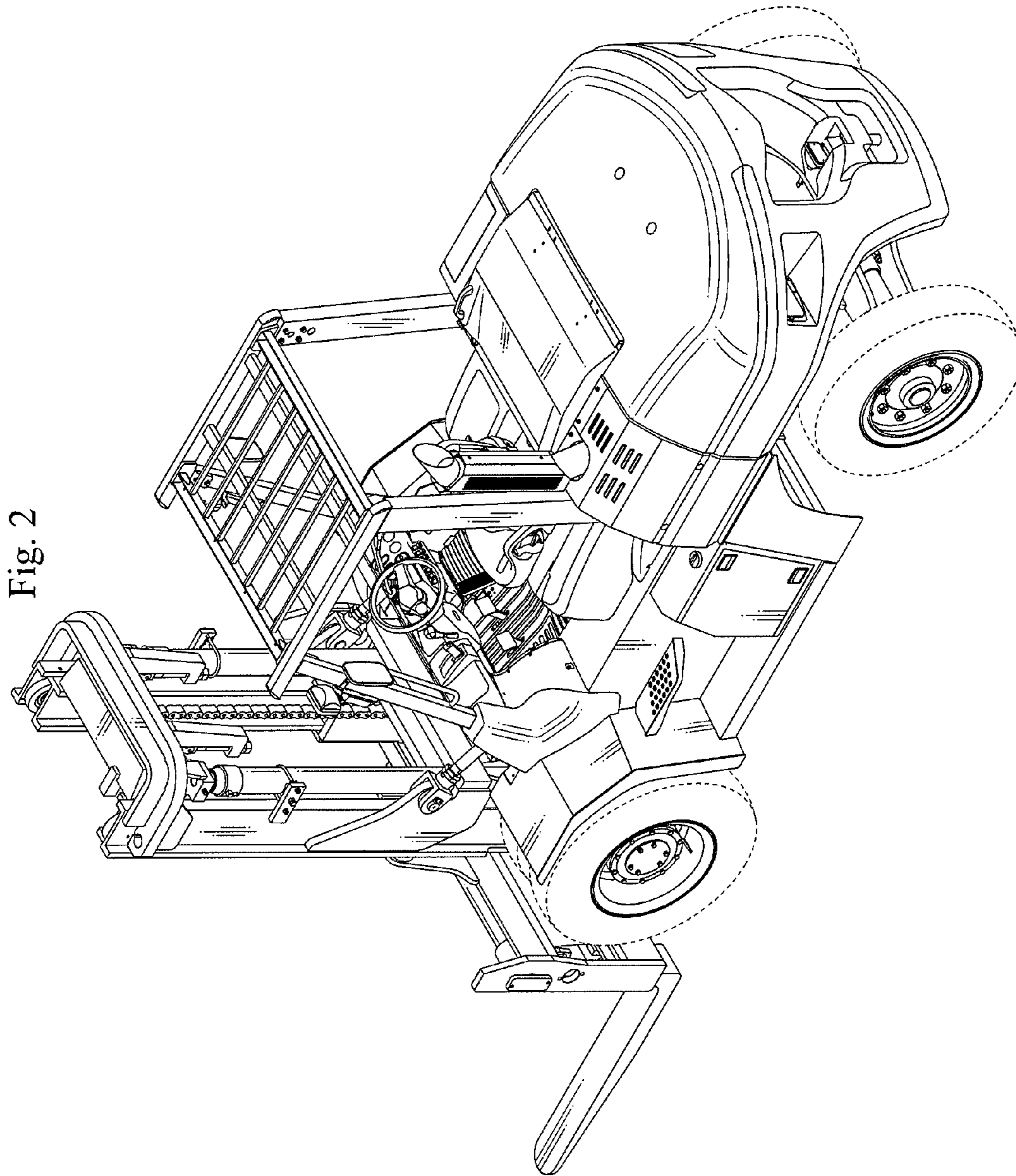


Fig. 2

Fig. 3

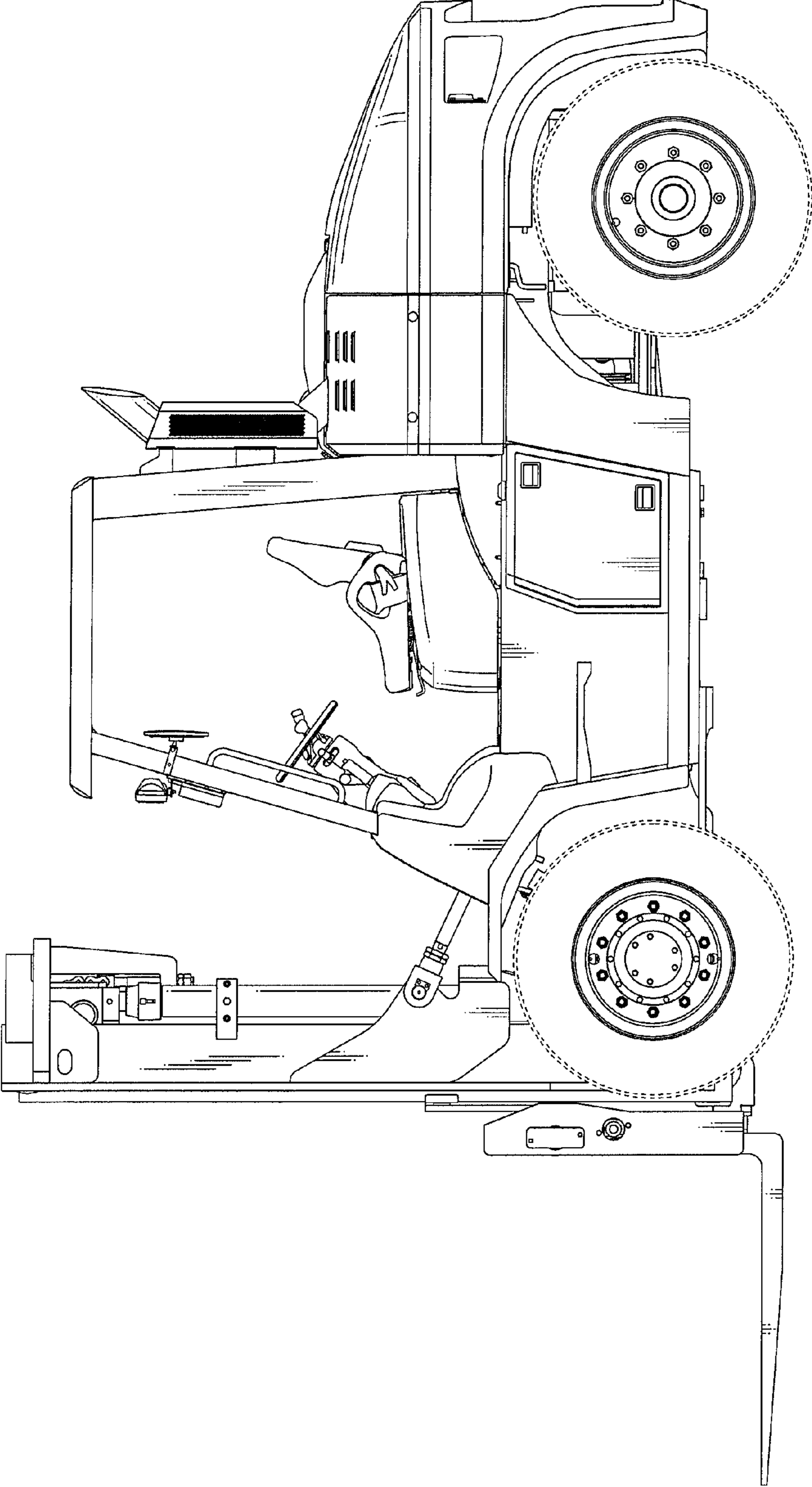


Fig. 4

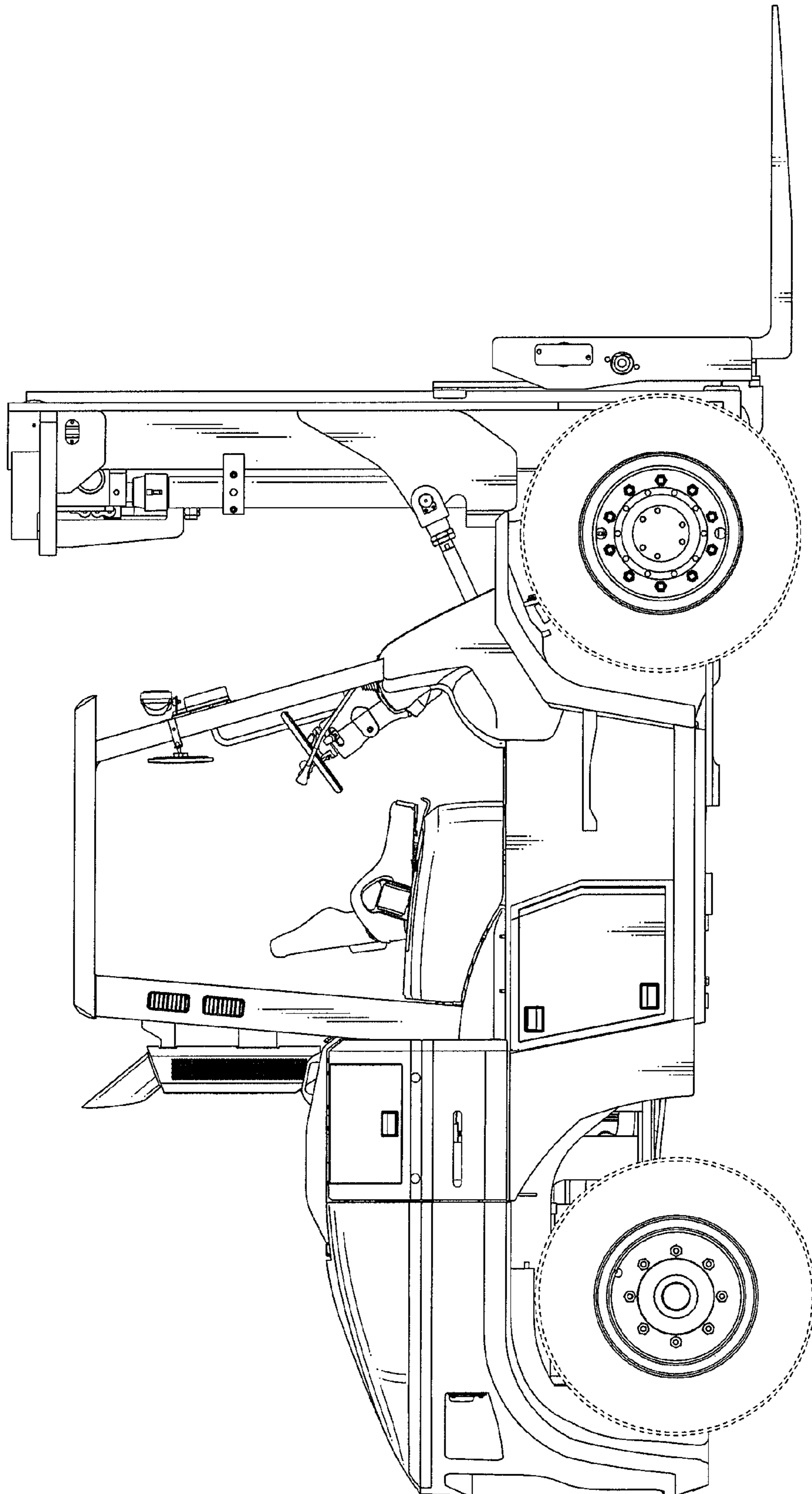


Fig. 5

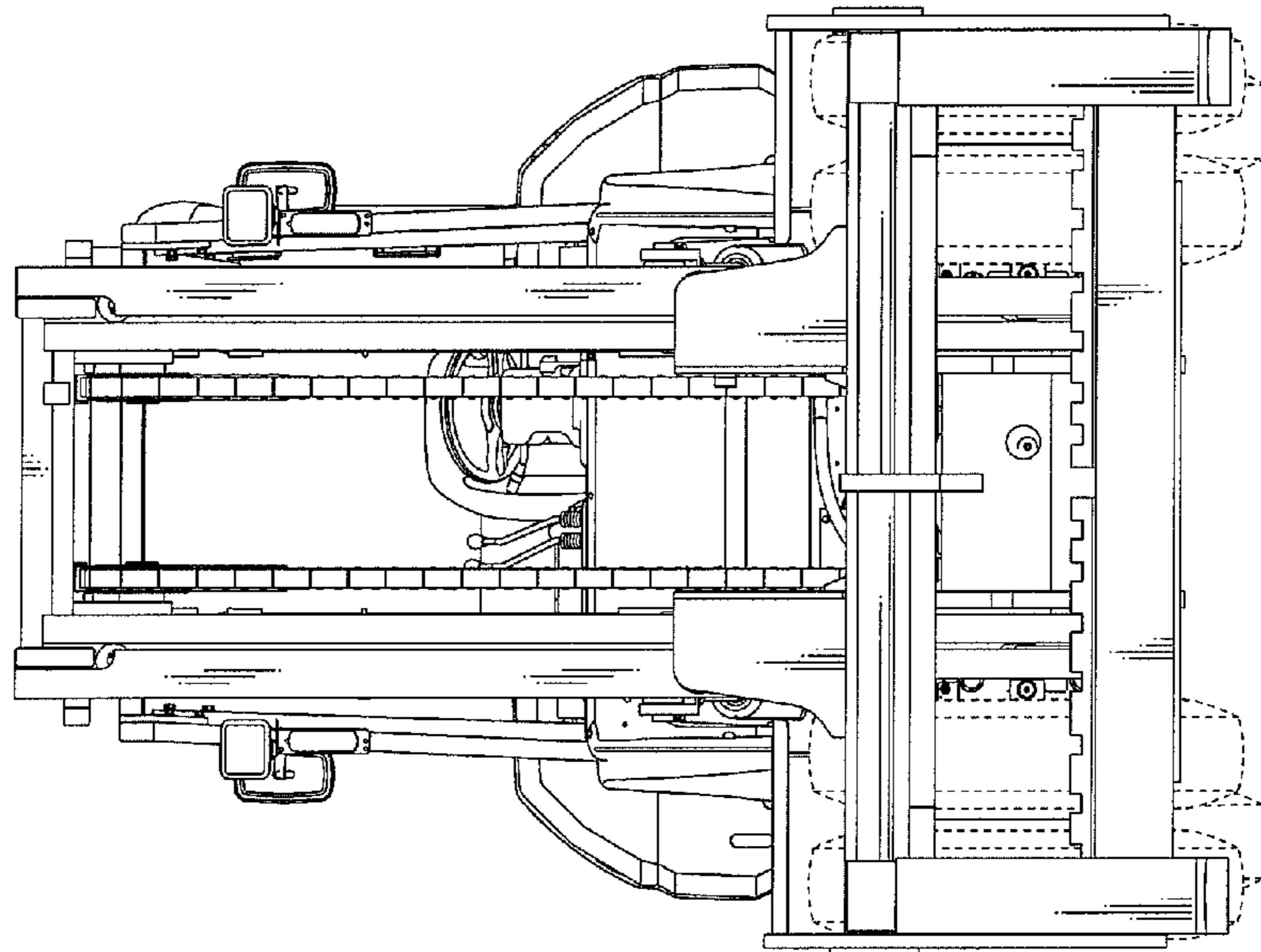


Fig. 6

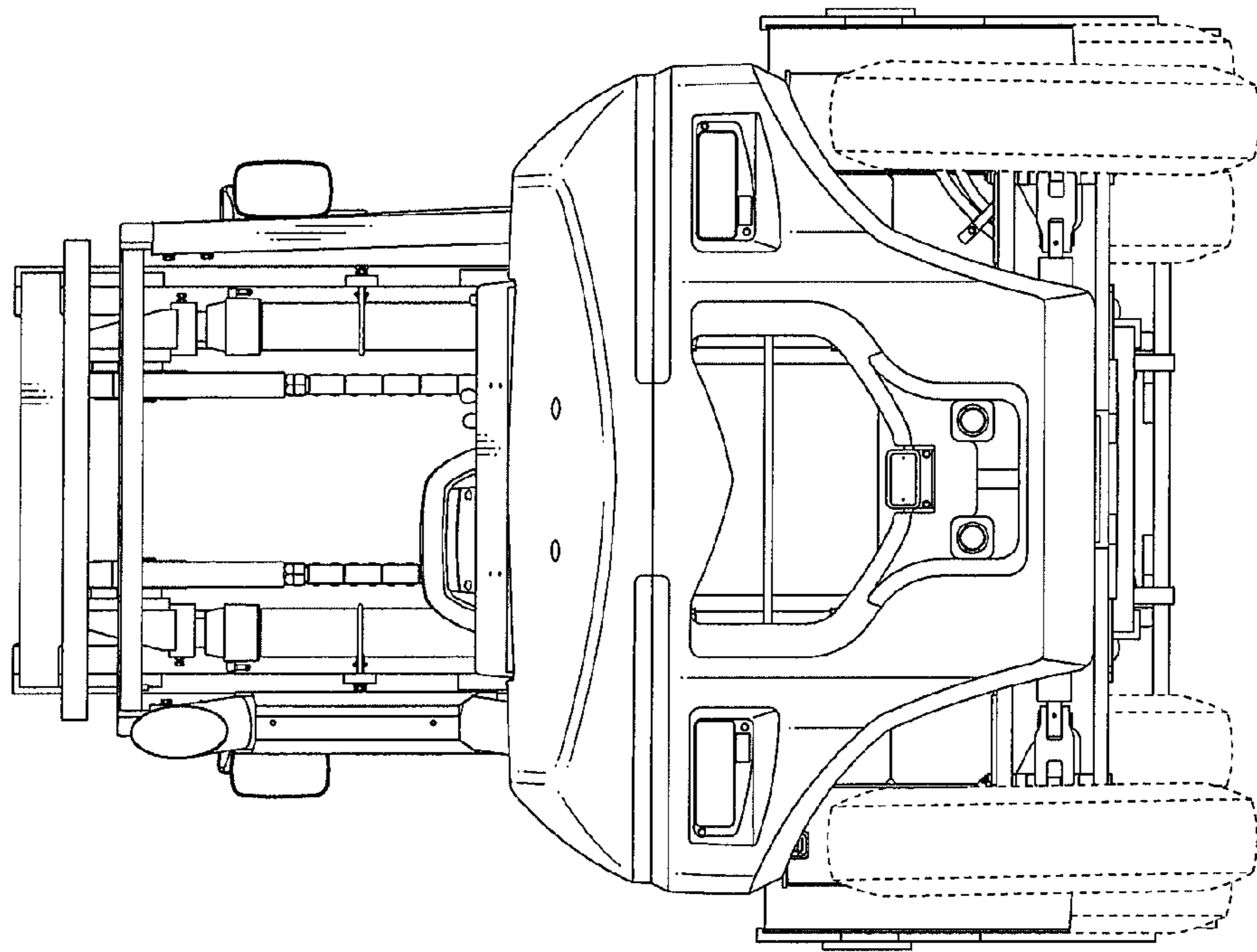


Fig. 7

