



US00D703907S

(12) **United States Design Patent**
Khrakovsky et al.

(10) **Patent No.:** **US D703,907 S**
(45) **Date of Patent:** **** Apr. 29, 2014**

(54) **HOISTS**

(75) Inventors: **Alex Khrakovsky**, Columbus, OH (US);
Robert Buchanan Turner, Circleville,
OH (US); **Pavel Gvantmakher**,
Gahanna, OH (US); **Reinhold Ost**,
Offenbach am Main (DE)

(73) Assignee: **Tecsis Delta Metrics**, Worthington, OH
(US)

(**) Term: **14 Years**

(21) Appl. No.: **29/416,812**

(22) Filed: **Mar. 27, 2012**

(30) **Foreign Application Priority Data**

Sep. 30, 2011 (EM) 001925751-0001

(51) **LOC (10) Cl.** **12-05**

(52) **U.S. Cl.**
USPC **D34/33**

(58) **Field of Classification Search**
USPC D34/28, 32, 34, 35; D8/14, 21, 28, 54;
254/362, 356, 372, 380, 901, 382, 374,
254/316; 414/426, 427, 428, 430

See application file for complete search history.

(56) **References Cited**

U.S. PATENT DOCUMENTS

3,608,865	A *	9/1971	Kirk	254/365
3,682,442	A *	8/1972	Baldwin	254/344
D389,978	S *	1/1998	Sondergeld, Jr.	D34/33
D407,883	S *	4/1999	Okerlund et al.	D34/33
D434,892	S *	12/2000	Roll	D34/33
D596,369	S *	7/2009	Walstrom et al.	D34/33
D655,883	S *	3/2012	Hiroshima	D34/33
D662,274	S *	6/2012	Riconda et al.	D34/33

* cited by examiner

Primary Examiner — Cynthia Ramirez
(74) *Attorney, Agent, or Firm* — TIPS Group

(57) **CLAIM**

The ornamental design for a hoist, as shown and described.

DESCRIPTION

FIG. 1 is a front elevational view of a hoist showing our new design;

FIG. 2 is a rear elevational view of the hoist of FIG. 1;

FIG. 3 is a top view of the hoist of FIG. 1;

FIG. 4 is a bottom view of the hoist of FIG. 1;

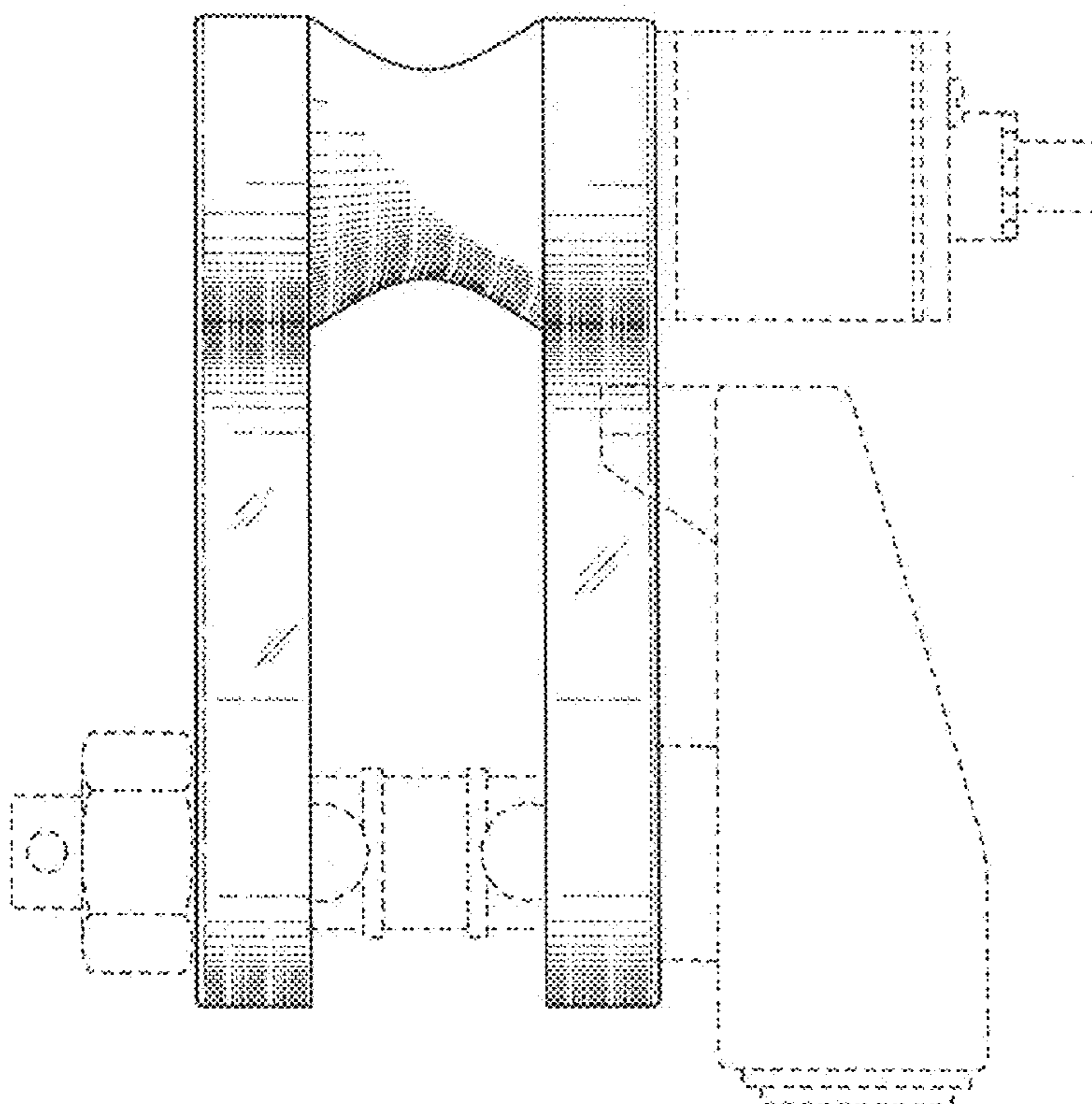
FIG. 5 is a right side elevational view of the hoist of FIG. 1;

FIG. 6 is a left side elevational view of the hoist of FIG. 1; and,

FIG. 7 is a perspective view of the hoist of FIG. 1.

The broken line showing of some elements in the figures is included for the purpose of illustrating environment and forms no part of the claimed design.

1 Claim, 7 Drawing Sheets



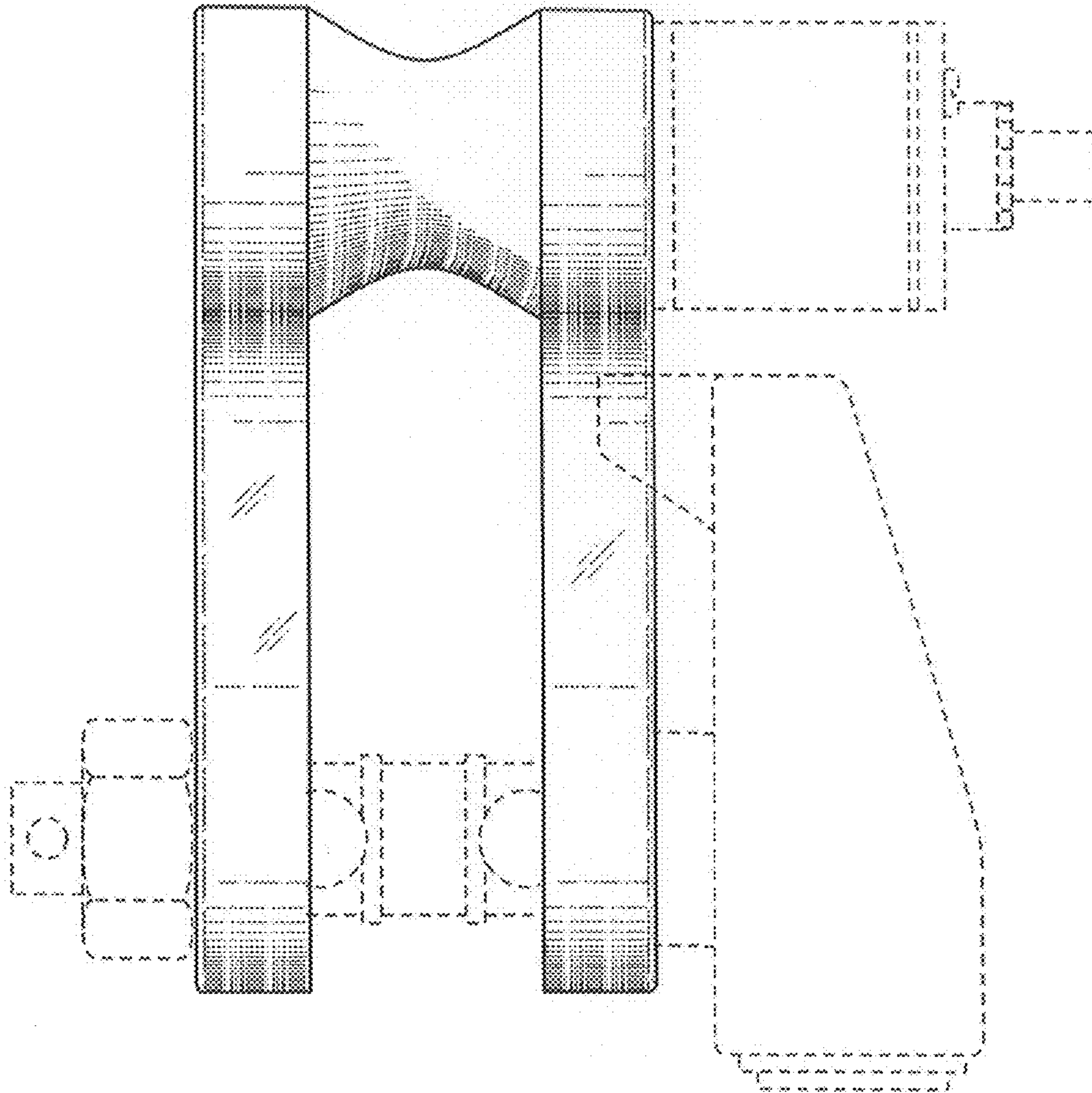


FIG. 1

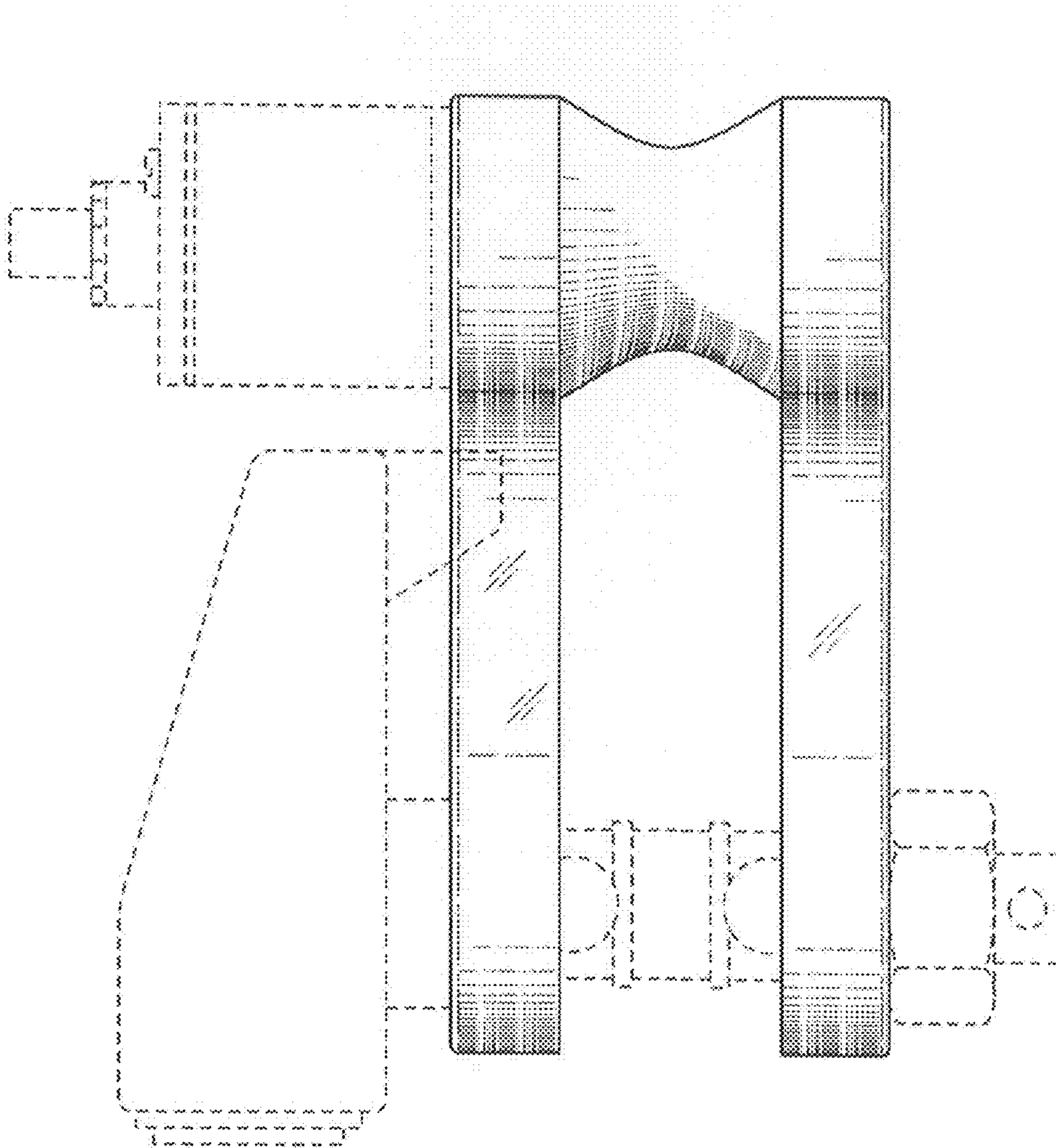


FIG. 2

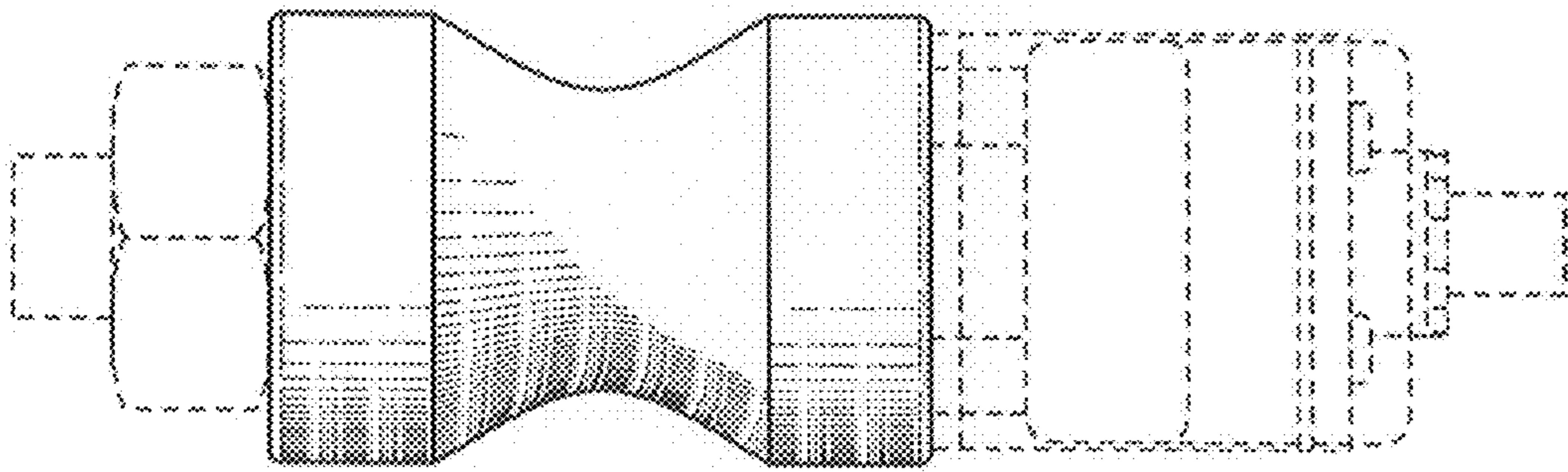


FIG. 3

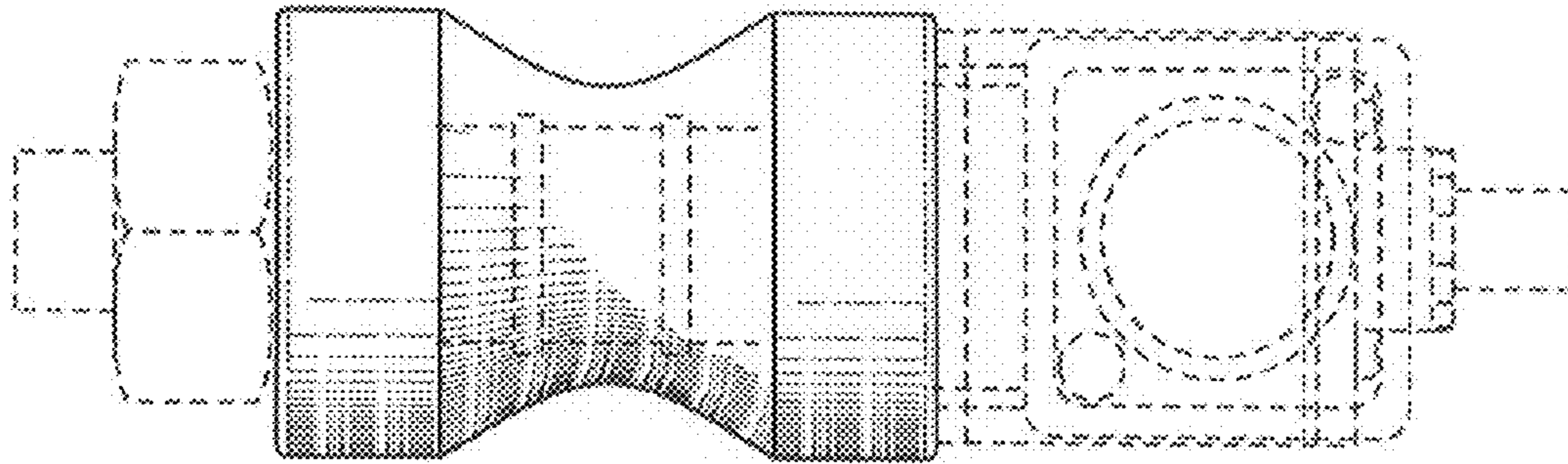


FIG. 4

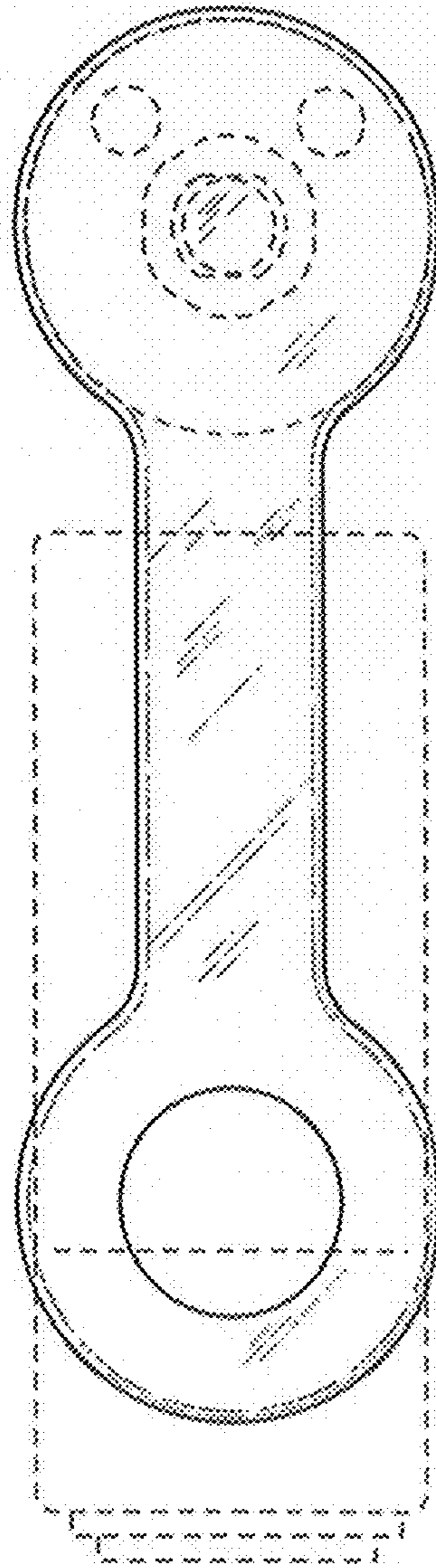


FIG. 5

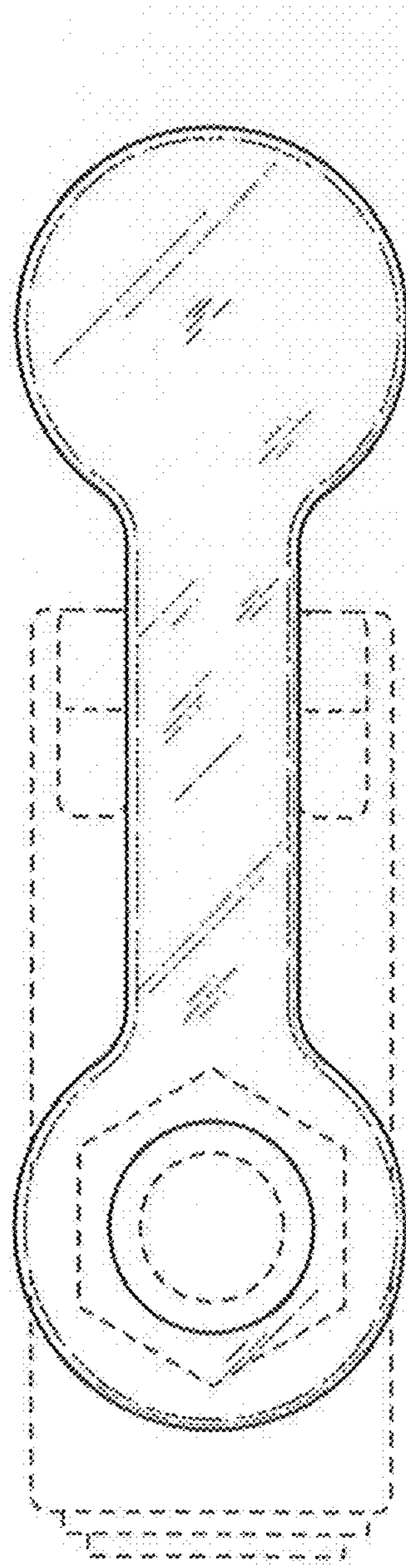


FIG. 6

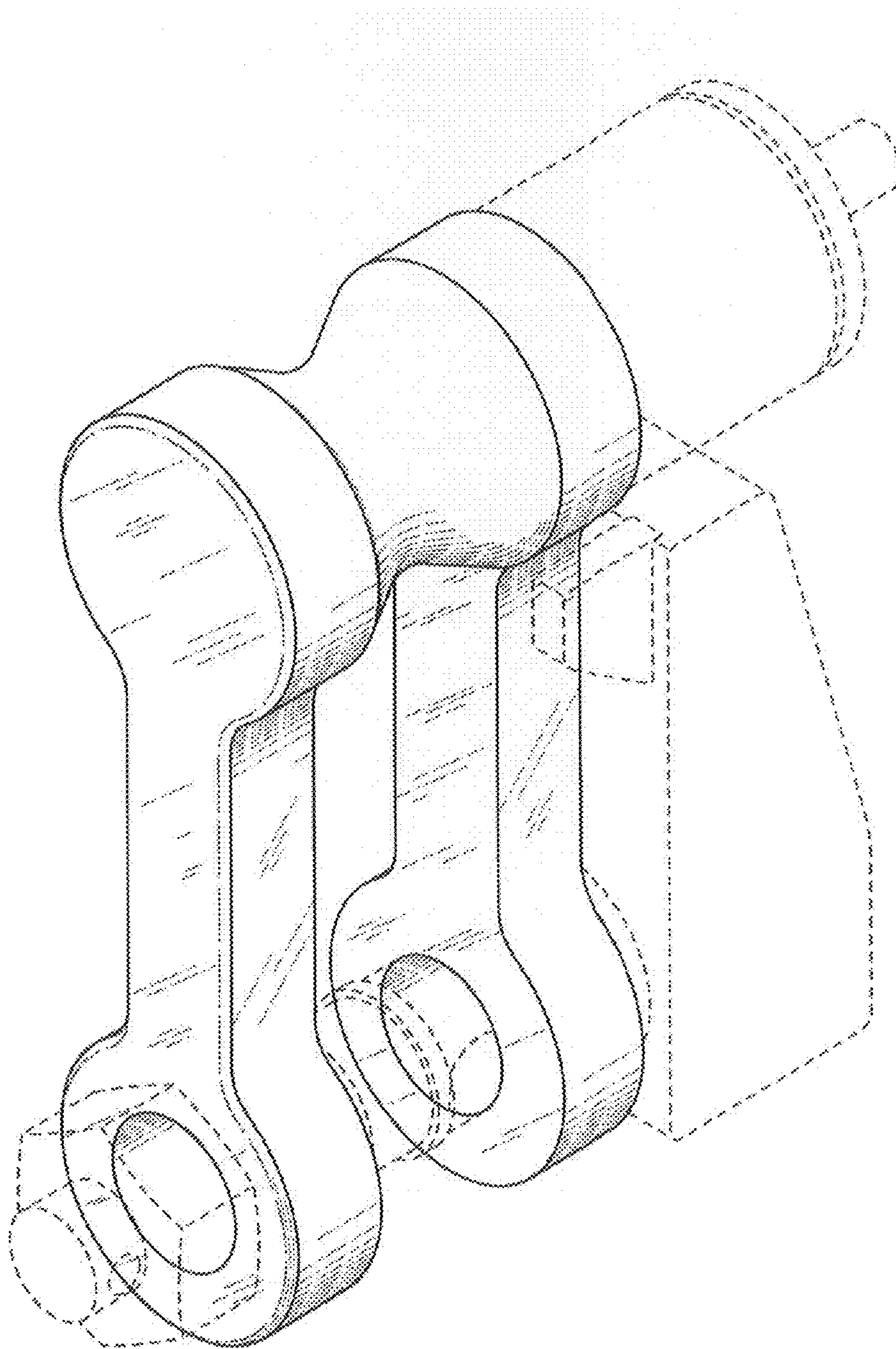


FIG. 7