



US00D703906S

(12) **United States Design Patent**
Gann et al.

(10) **Patent No.:** **US D703,906 S**
(45) **Date of Patent:** **** Apr. 29, 2014**

(54) **LIFTING APPARATUS**

- (71) Applicant: **Shinn Fu Corporation**, Taipei (TW)
- (72) Inventors: **Casey Ray Gann**, Camden Point, MO (US); **Braxton Thomas Kersting**, Kansas City, MO (US)
- (73) Assignee: **Shinn Fu Corporation**, Taipei (TW)
- (**) Term: **14 Years**
- (21) Appl. No.: **29/448,092**
- (22) Filed: **Mar. 8, 2013**
- (51) **LOC (10) Cl.** **12-05**
- (52) **U.S. Cl.**
USPC **D34/28**
- (58) **Field of Classification Search**
USPC D34/28, 31; 254/1, 10 R, 122, 93 R, 8 B, 254/10 C, 8 R, 9 C, 10 B, 9 B, 9 R, 93 H, 133 R, 254/134
See application file for complete search history.

(56) **References Cited**

U.S. PATENT DOCUMENTS

4,740,132	A *	4/1988	Peyre	414/494
D344,835	S *	3/1994	MacEachern	D34/31
D346,255	S *	4/1994	Francis et al.	D34/31
6,986,503	B2	1/2006	Arzouman	
7,137,615	B2	11/2006	Ray, Jr. et al.	
D596,823	S *	7/2009	Thurm	D34/28
D688,022	S *	8/2013	Gann et al.	D34/28
2006/0278855	A1	12/2006	Krug	
2010/0102284	A1	4/2010	Drake	
2010/0207085	A1*	8/2010	Thurm	254/2 C

OTHER PUBLICATIONS

Office Action dated Nov. 23, 2012 issued in related U.S. Appl. No. 13/250,580, 10 pages.
 Response to Office Action File in U.S. Appl. No. 13/250,580 dated May 20, 2013, 12 pages.
 Statement Regarding Prior Art by Justin Poplin dated Jul. 21, 2010.
 Select File History from U.S. Appl. No. 12/763,749 dated Jun. 11, 2012 through Apr. 23, 2013, 85 pages.
 Notice of Allowance issued in related U.S. Appl. No. 29/447,654 dated May 23, 2013, 8 pages.

(Continued)

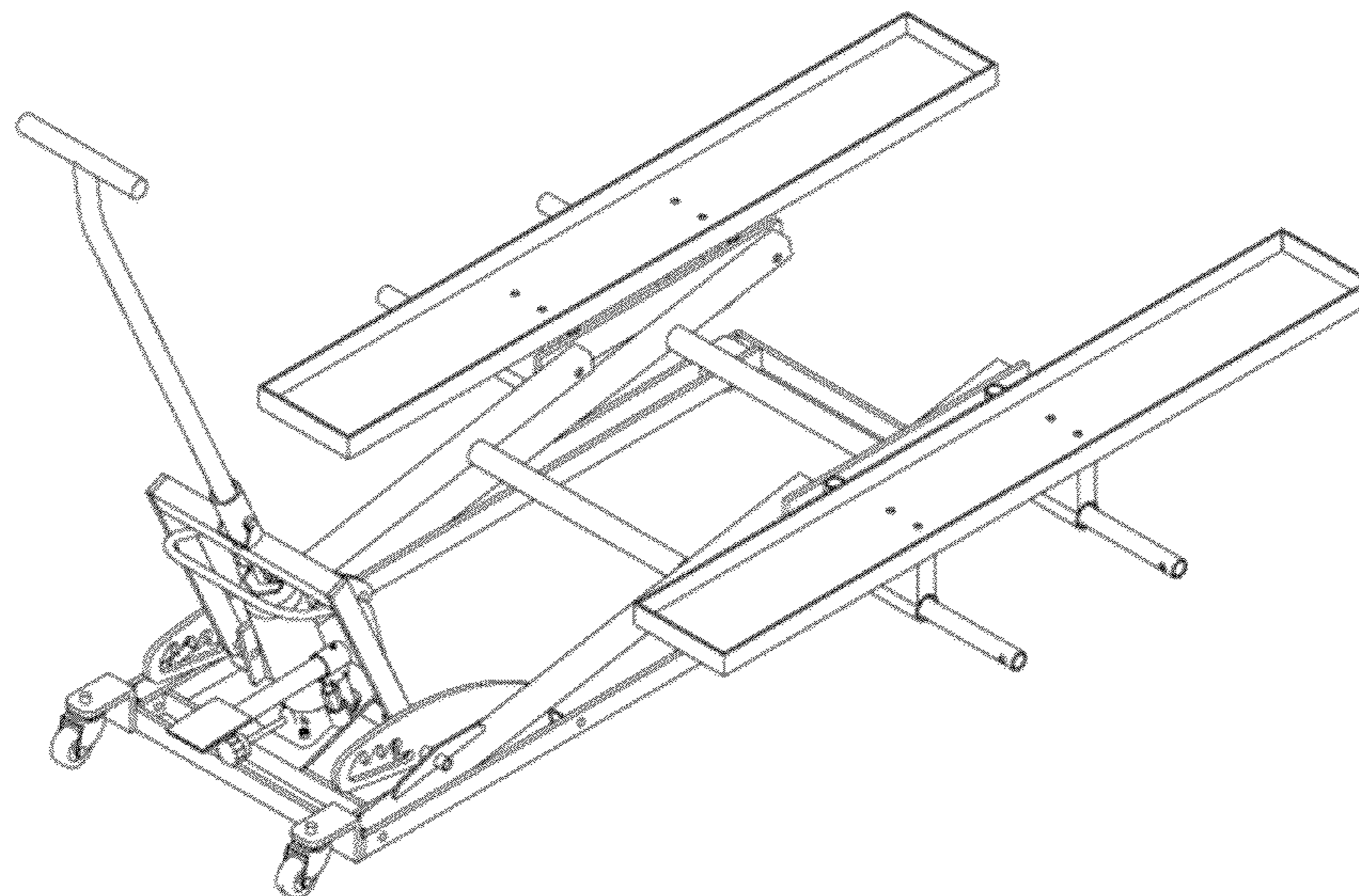
Primary Examiner — Cynthia Ramirez
 (74) *Attorney, Agent, or Firm* — Lathrop & Gage, LLP

(57) **CLAIM**
 The ornamental design for a lifting apparatus, as shown and described.

DESCRIPTION

FIG. 1 is a perspective view of a lifting apparatus showing the new design.
 FIG. 2 is another perspective view of the lifting apparatus of FIG. 1.
 FIG. 3 is still another perspective view of the lifting apparatus of FIG. 1, shown in use.
 FIG. 4 is yet another perspective view of the lifting apparatus of FIG. 1, shown in use.
 FIG. 5 is a side view of the lifting apparatus of FIG. 1.
 FIG. 6 is a front view of the lifting apparatus of FIG. 1.
 FIG. 7 is a rear view of the lifting apparatus of FIG. 1.
 FIG. 8 is a top view of the lifting apparatus of FIG. 1; and, FIG. 9 is a bottom view of the lifting apparatus of FIG. 1.
 All of the broken lines in the accompanying drawings illustrate environmental structure and form no part of the claimed design.

1 Claim, 4 Drawing Sheets



(56)

References Cited

OTHER PUBLICATIONS

Operating Instructions & Parts Manual, Omega Lift Equipment
Model No. 49154 (2002).

ASME PALD-2005, Part 17: Vehicle Transport Lifts (2005).

Notice of Allowance issued in related U.S. Appl. 29/447,651 dated
May 23, 2013, 10 pages.

* cited by examiner

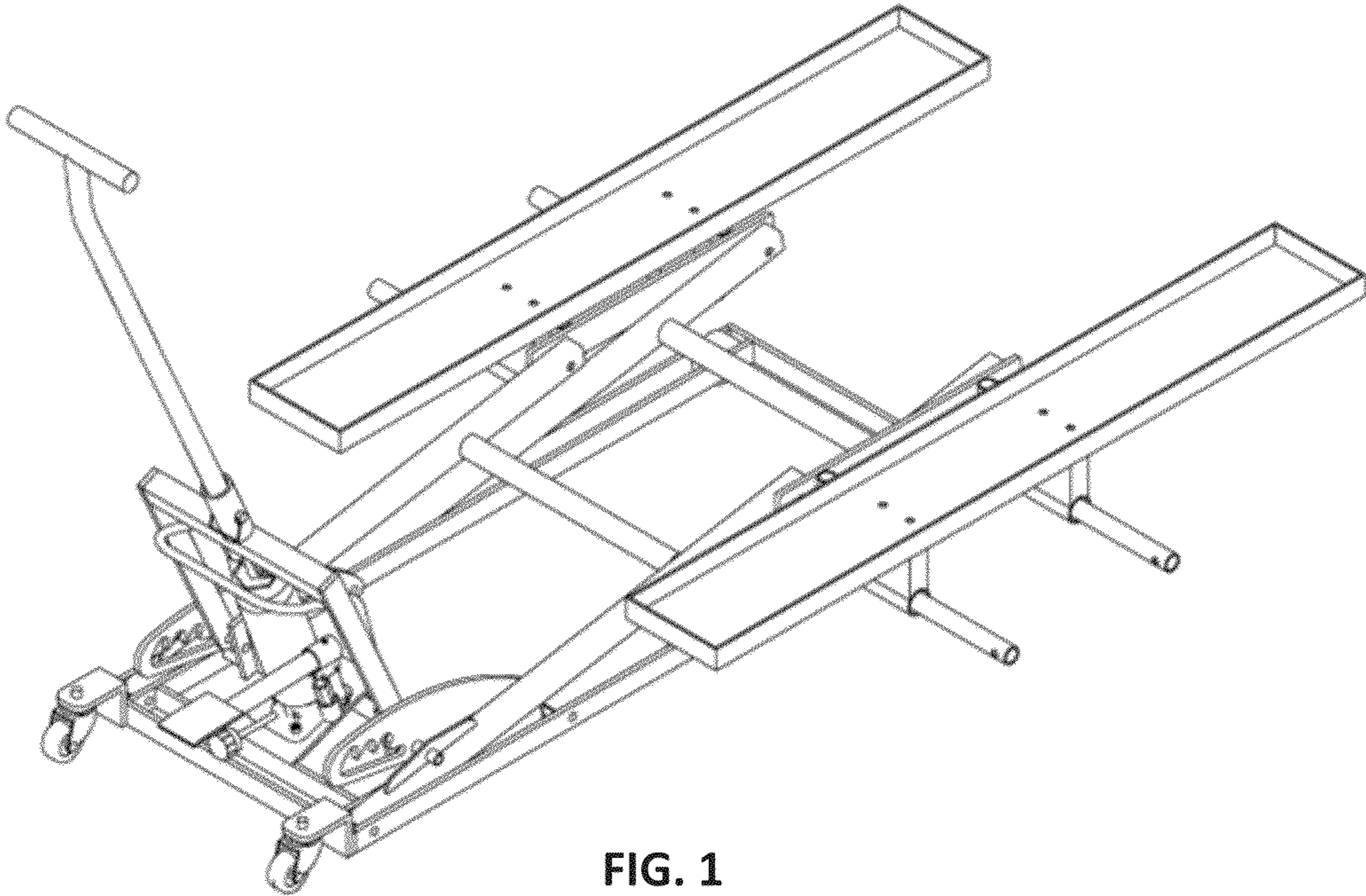


FIG. 1

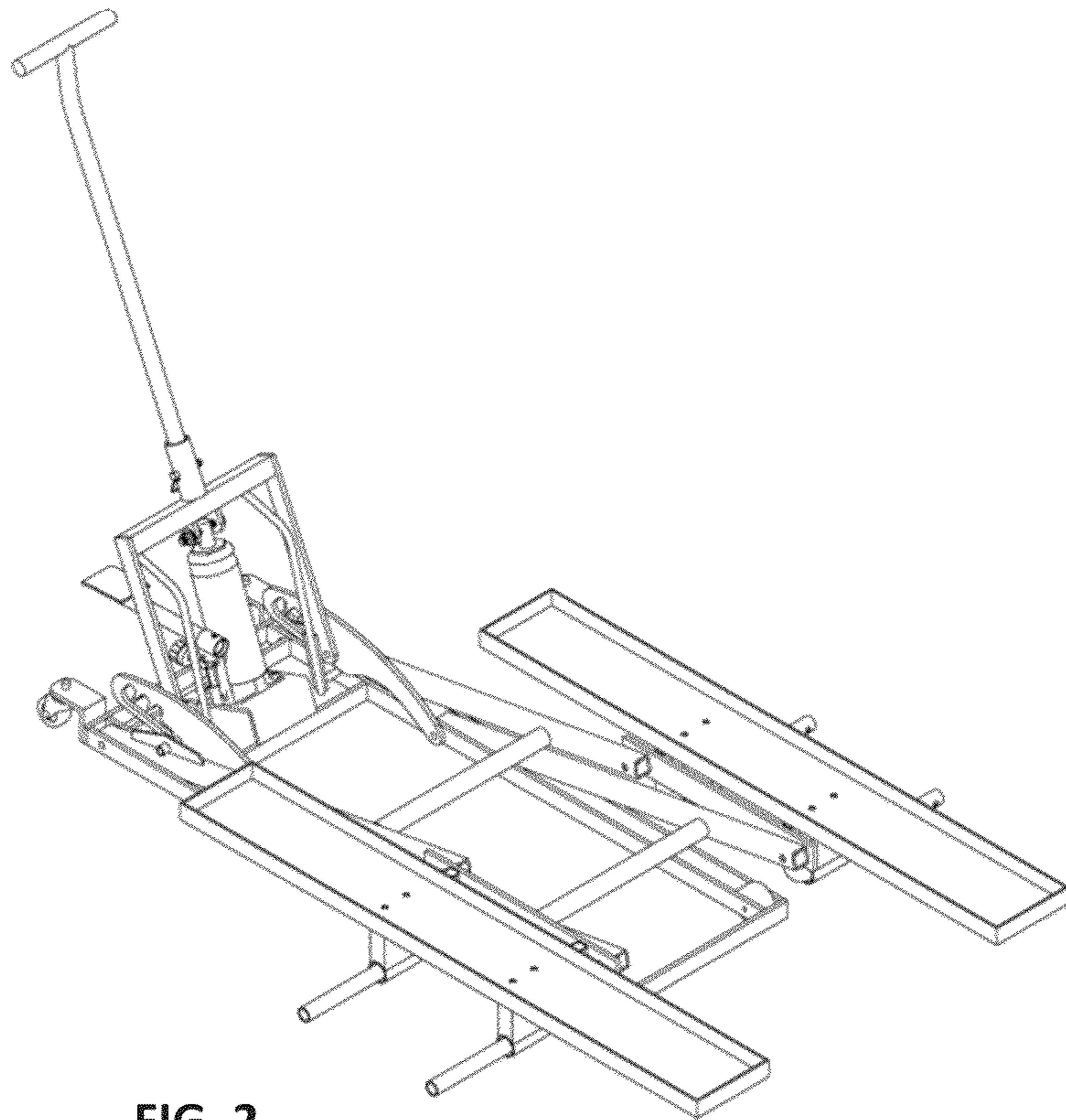


FIG. 2

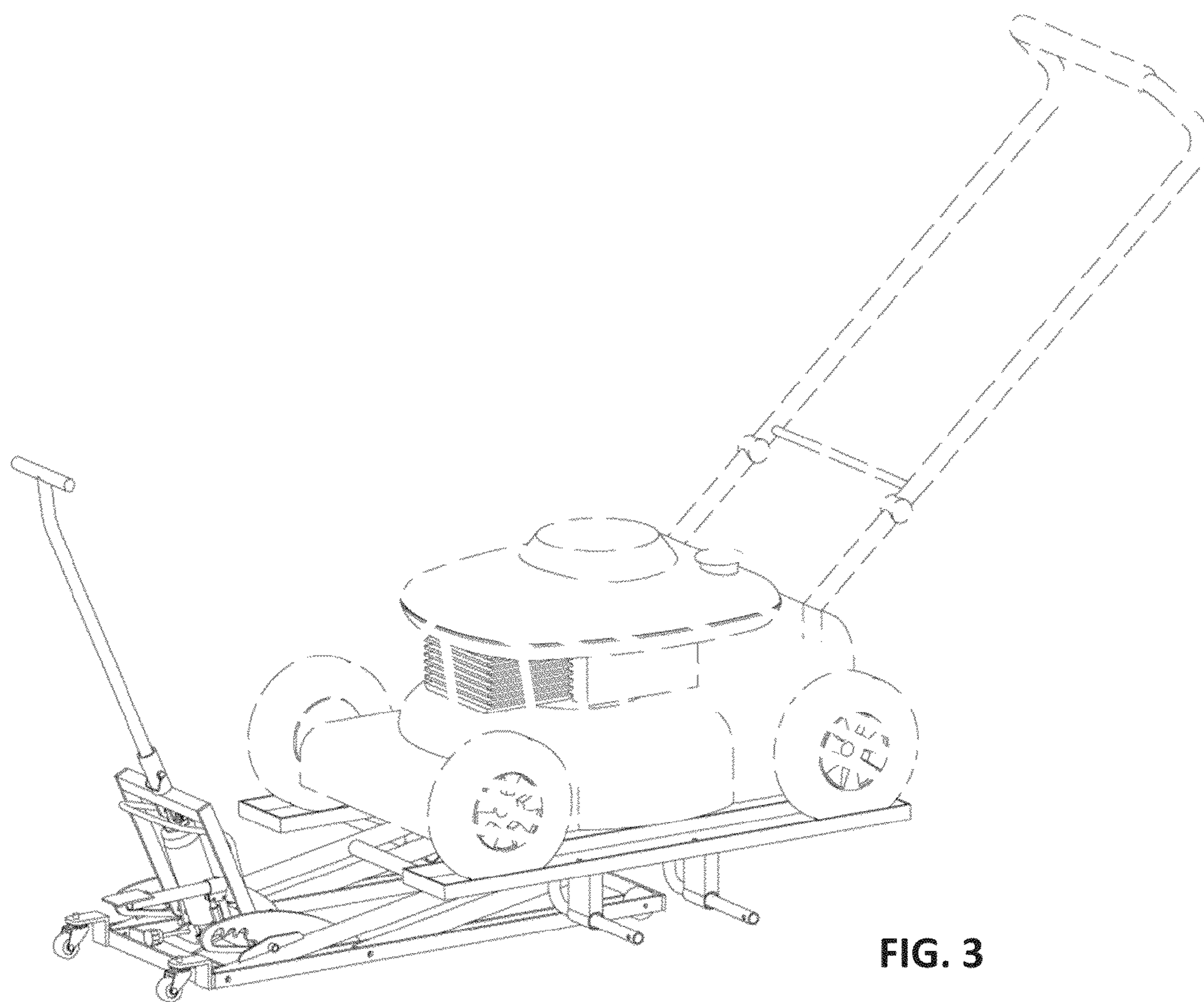


FIG. 3

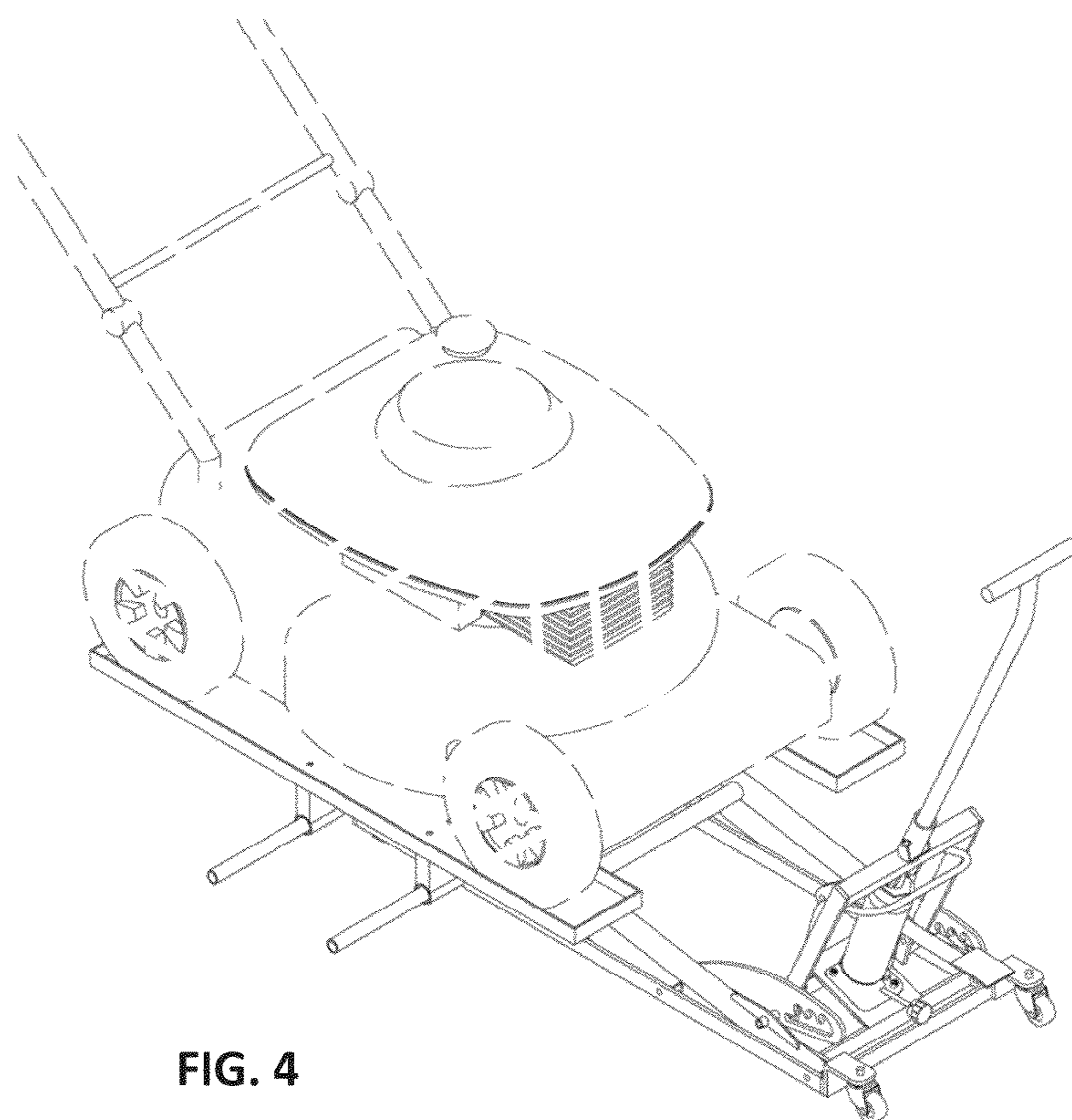


FIG. 4

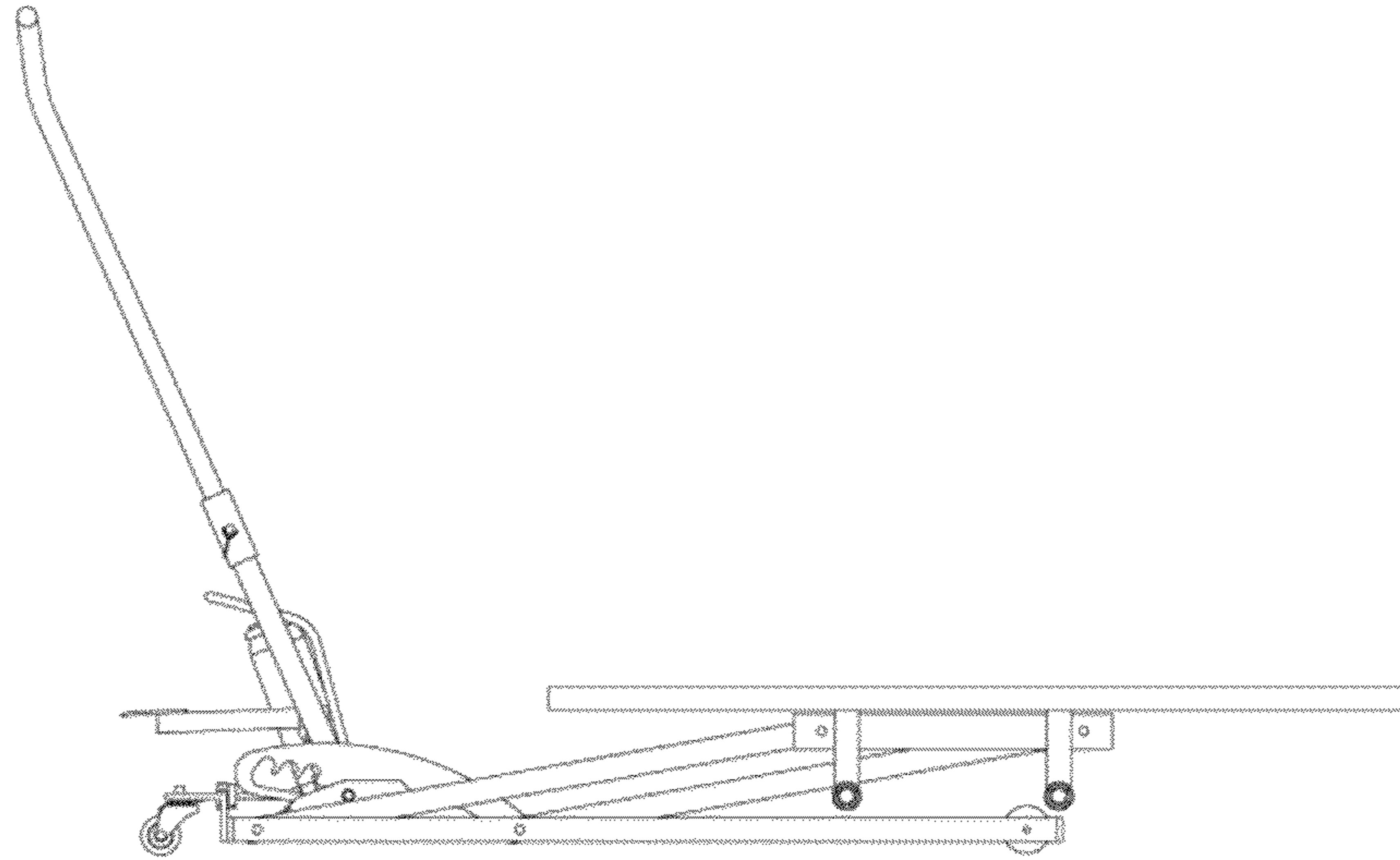


FIG. 5

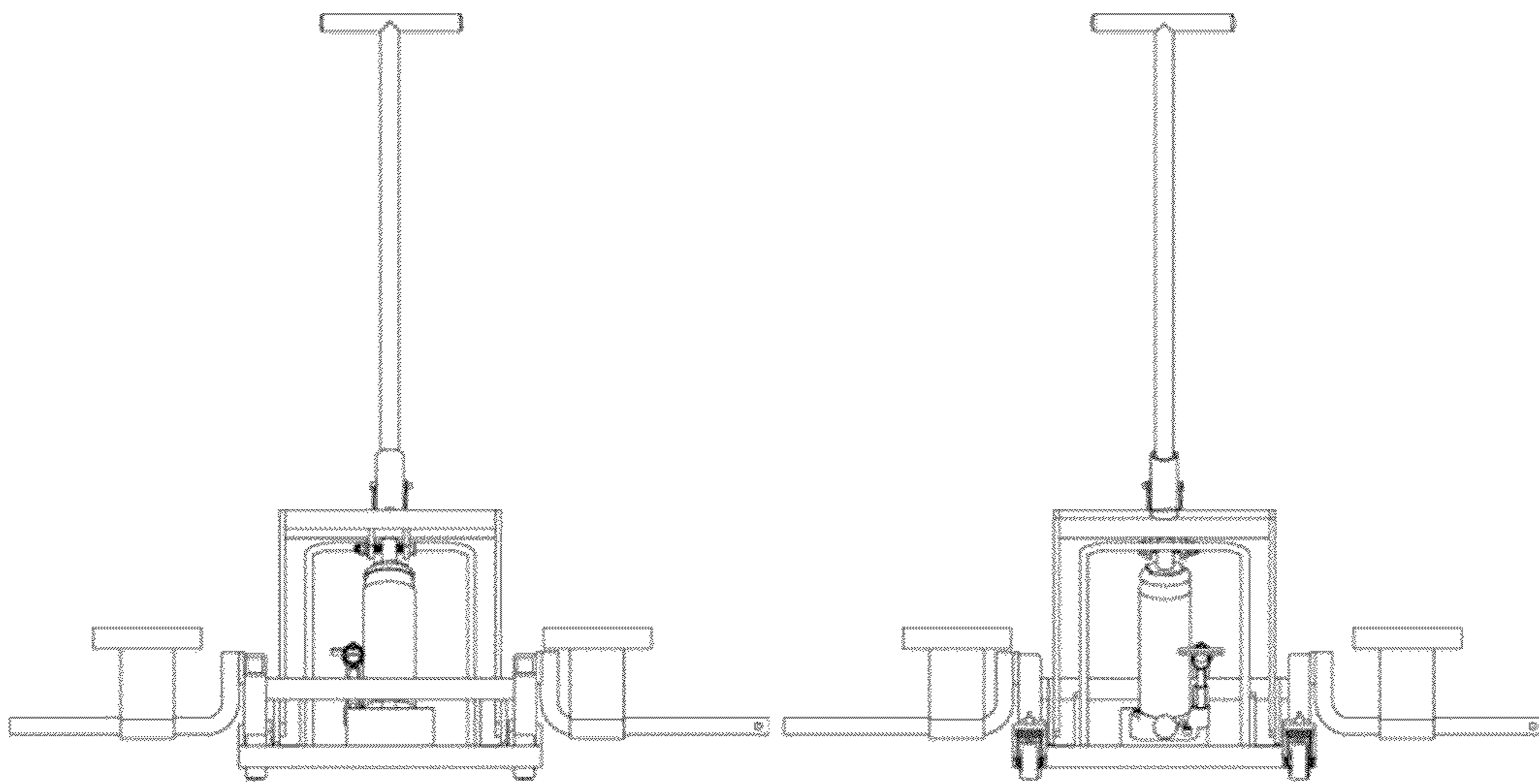


FIG. 6

FIG. 7

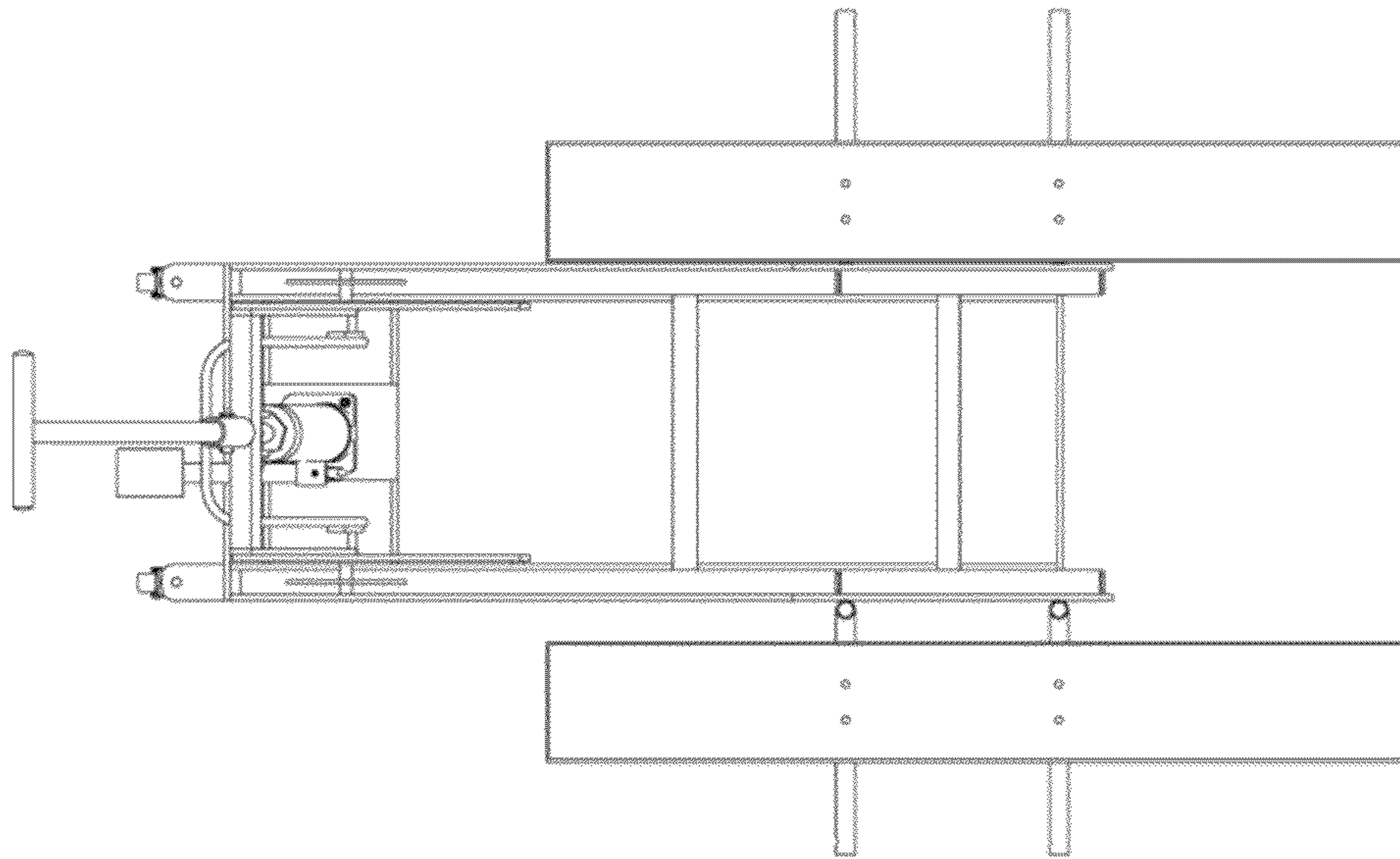


FIG. 8

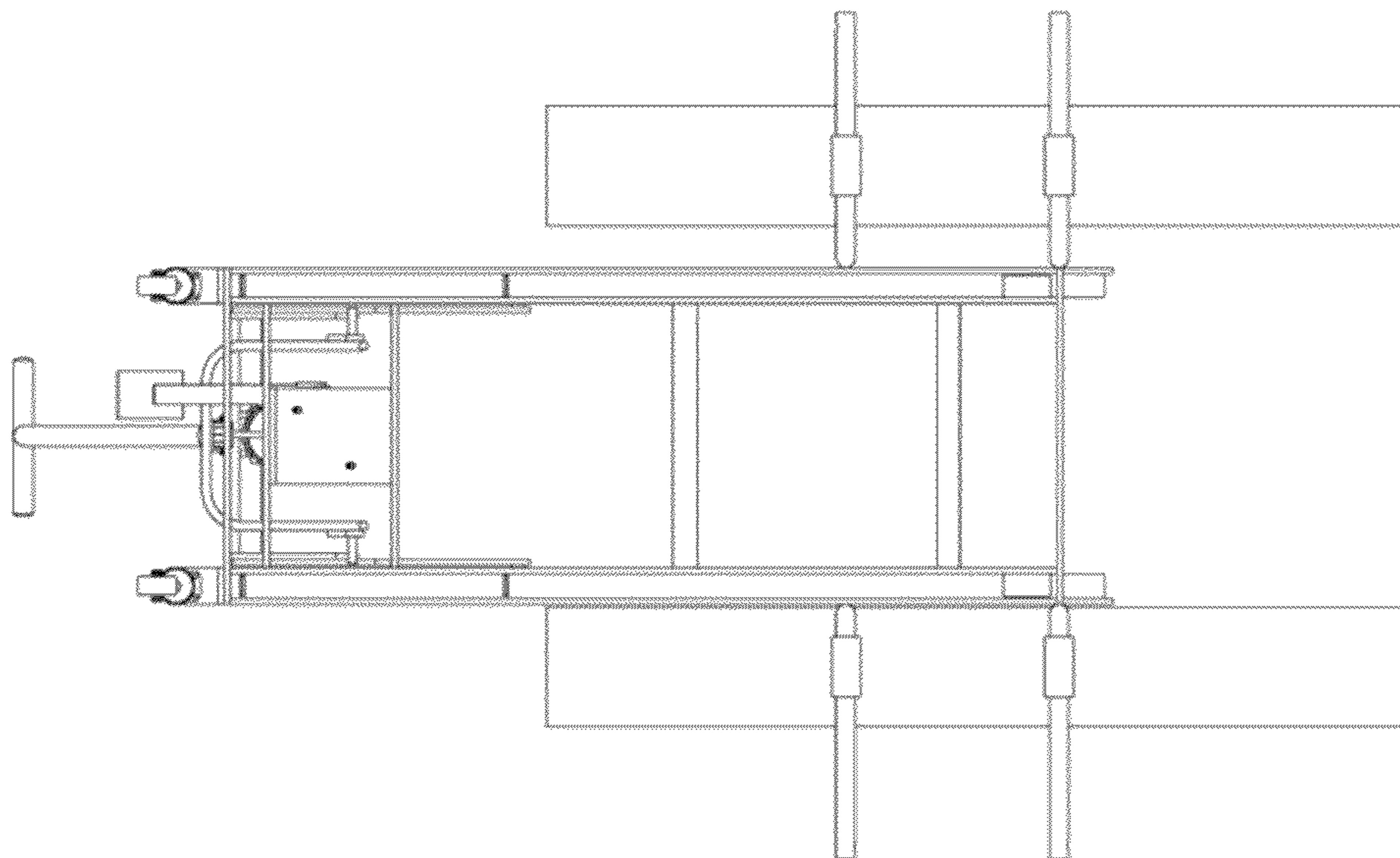


FIG. 9