

US00D703904S

(12) **United States Design Patent**
Knoll et al.

(10) **Patent No.:** **US D703,904 S**
(45) **Date of Patent:** **** Apr. 29, 2014**

(54) **POINT-OF-SALE CART**

FOREIGN PATENT DOCUMENTS

(71) Applicant: **Target Brands, Inc.**, Minneapolis, MN
(US)

GB 2358727 8/2001
GB 2394211 4/2004

OTHER PUBLICATIONS

(72) Inventors: **Mitchell Knoll**, Eagan, MN (US);
Robert D. Peota, Minneapolis, MN
(US); **Timothy J. Martell**, Brooklyn
Park, MN (US); **David J. Floersch**,
Minneapolis, MN (US)

Images of Point-of-Sale Cart, publicly available at least as early as
Nov. 2012, 2 pages.

(Continued)

(73) Assignee: **Target Brands, Inc.**, Minneapolis, MN
(US)

Primary Examiner — Cynthia Ramirez

(74) *Attorney, Agent, or Firm* — Leanne Taveggia Farrell;
Westman, Champlin & Koehler, P.A.

(**) Term: **14 Years**

(57) **CLAIM**

The ornamental design for a point-of-sale cart, as shown and
described.

(21) Appl. No.: **29/448,707**

DESCRIPTION

(22) Filed: **Mar. 13, 2013**

(51) **LOC (10) Cl.** **12-02**

(52) **U.S. Cl.**
USPC **D34/20**

(58) **Field of Classification Search**
USPC D34/12-27; 280/79.2, 47.35, 47.19,
280/79.1; 312/249.1, 249.11; 235/385;
705/23

See application file for complete search history.

FIG. 1 is a front right perspective view of a point-of-sale cart;
FIG. 2 is a back right perspective view thereof;
FIG. 3 is a right side view thereof;
FIG. 4 is a left side view thereof;
FIG. 5 is a back view thereof;
FIG. 6 is a front view thereof;
FIG. 7 is a top view thereof;
FIG. 8 is a front right perspective view of the point-of-sale
cart illustrated in an alternate position;
FIG. 9 is a back right perspective view of FIG. 8;
FIG. 10 is a right side view of FIG. 8;
FIG. 11 is a left side view of FIG. 8;
FIG. 12 is a back view of FIG. 8;
FIG. 13 is a front view of FIG. 8; and,
FIG. 14 is a top view of FIG. 8.

The uniform broken lines shown in the drawings are included
for purposes of illustrating portions of the point-of-sale cart
and form no part of the claimed design; whereas the non-
uniform broken lines shown in the drawings are included for
purposes of illustrating environment and form no part of the
claimed design.

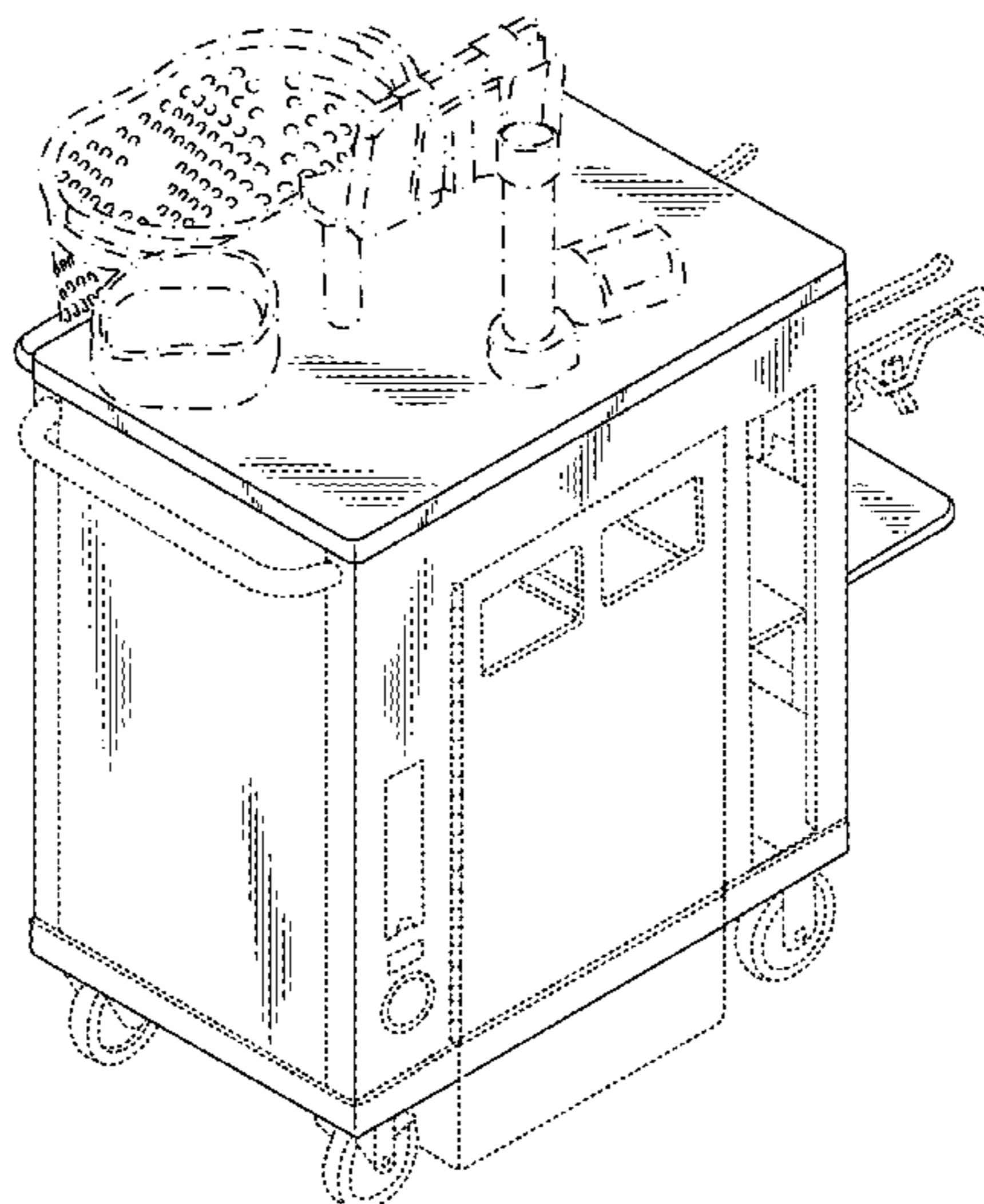
(56) **References Cited**

U.S. PATENT DOCUMENTS

D94,459	S	*	2/1935	Anderson	D10/46
2,456,817	A		12/1948	Davenport		
2,948,798	A	*	8/1960	Ness	219/387
D196,794	S	*	11/1963	Gacki	D24/232
D219,913	S	*	2/1971	Malm et al.	D34/19
3,897,855	A		8/1975	Patterson		
D323,051	S	*	1/1992	Baggott	D34/19
5,412,193	A		5/1995	Swartz et al.		

(Continued)

1 Claim, 14 Drawing Sheets



(56)

References Cited

U.S. PATENT DOCUMENTS

5,418,354 A 5/1995 Halling et al.
5,584,362 A 12/1996 Dumont
6,328,149 B1 12/2001 Blad et al.
6,435,407 B1 8/2002 Fiordelisi
D468,881 S * 1/2003 Cox D34/19
6,655,589 B1 12/2003 Humber
6,758,393 B1 7/2004 Luciano et al.
7,044,374 B2 5/2006 Allison et al.
7,156,475 B2 1/2007 Gloger, Jr.
D547,920 S * 7/2007 Kinsley et al. D34/19

D592,417 S 5/2009 Cohn et al.
D653,010 S * 1/2012 Shen et al. D34/19
D671,703 S * 11/2012 Guasta et al. D34/19
2005/0212241 A1 9/2005 Stone

OTHER PUBLICATIONS

Pending U.S. Appl. No. 13/800,615, filed Mar. 13, 2013, entitled
Mobile Point-of-Sale, 29 pages.
Office Action dated Oct. 4, 2013, issued in Canadian Patent Appli-
cation No. 2,820,476, 3 pages.

* cited by examiner

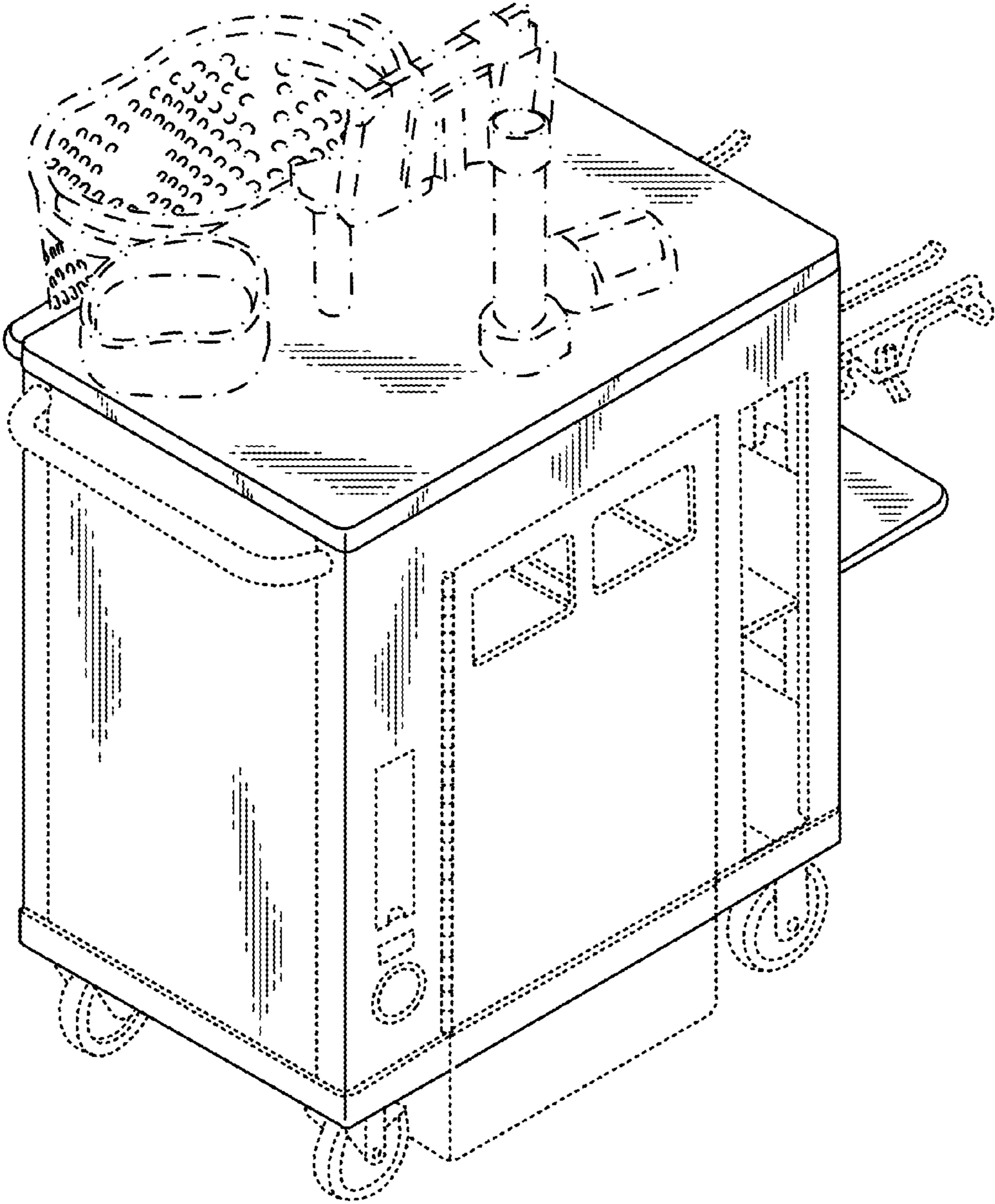


FIG. 1

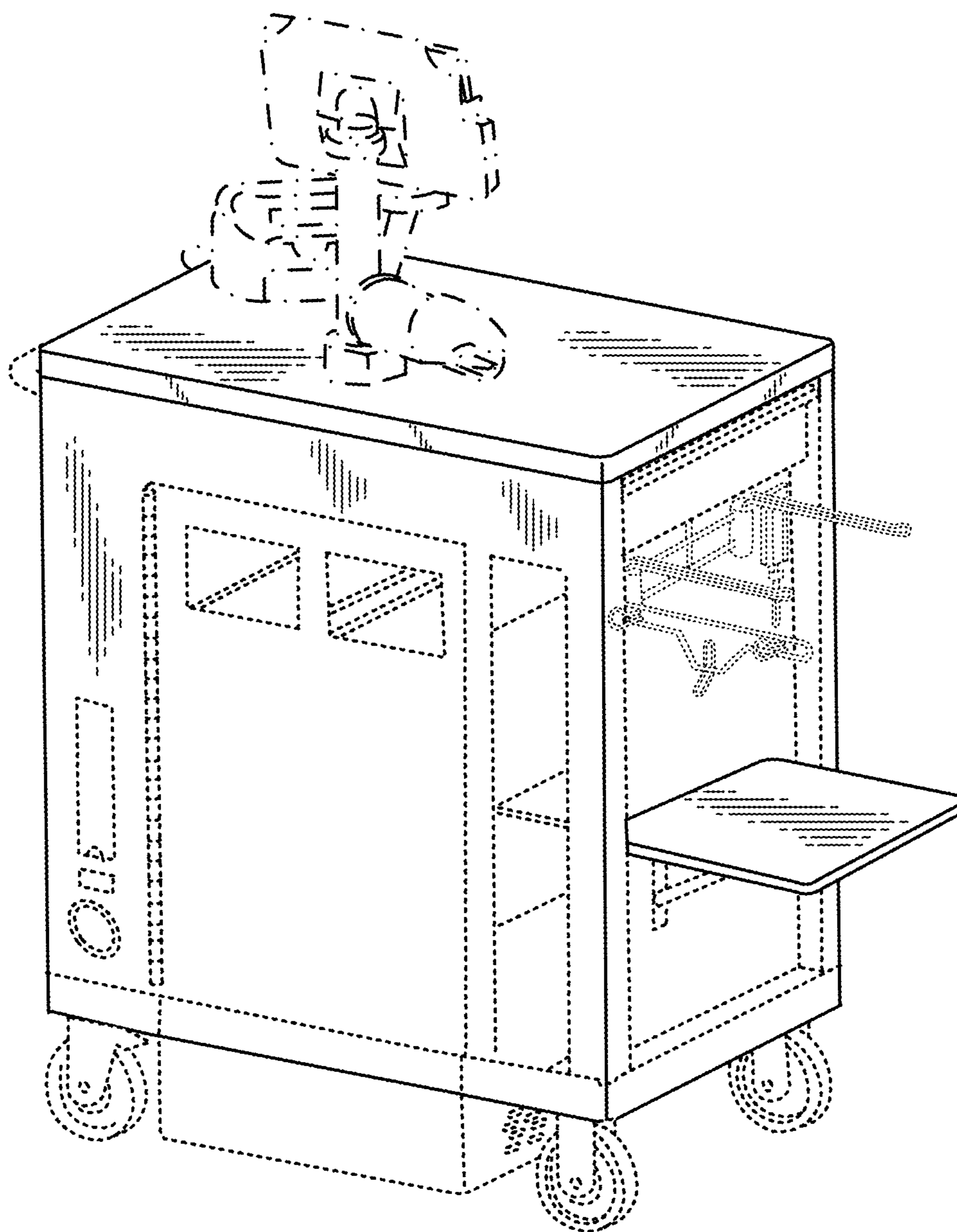


FIG. 2

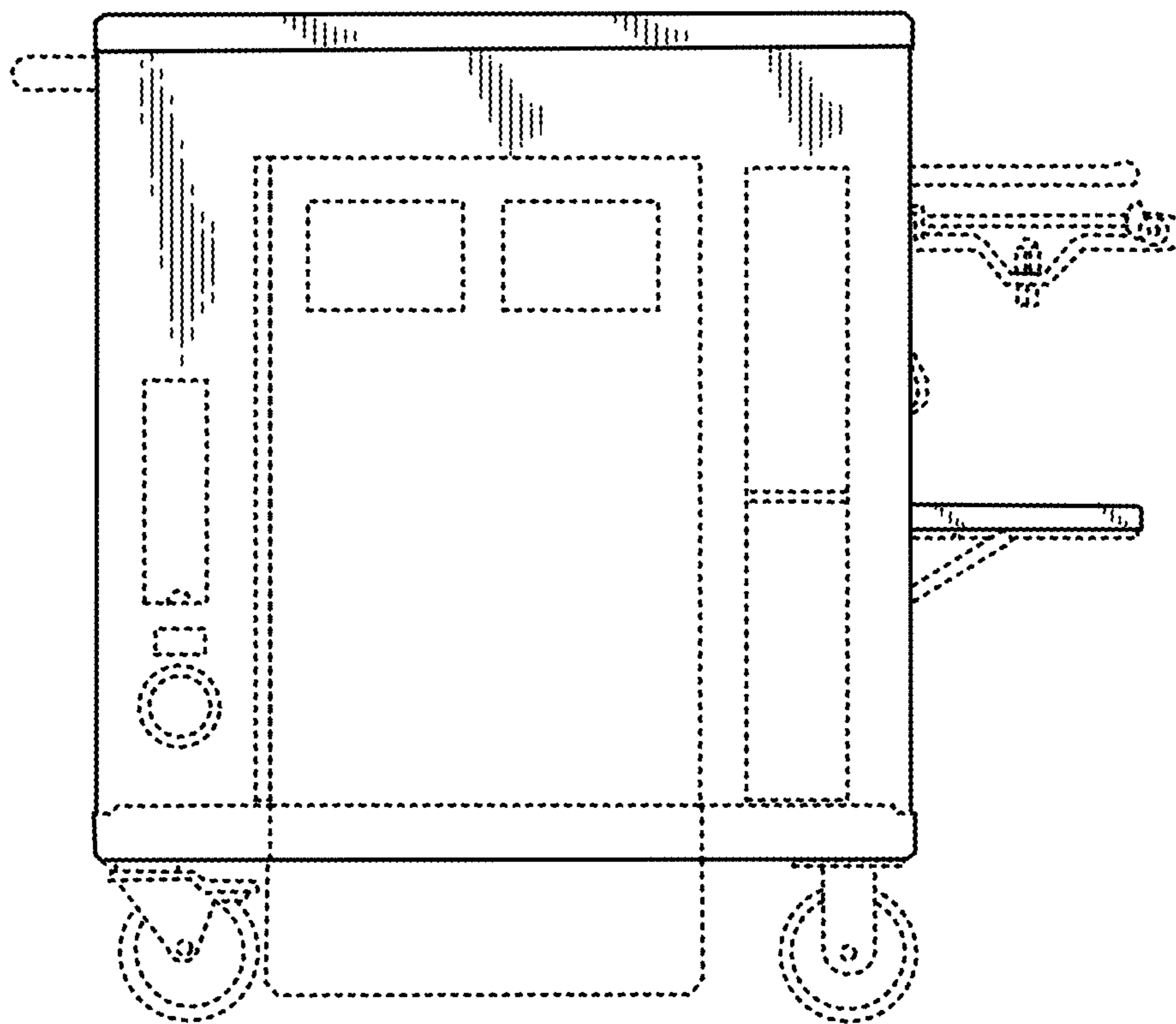


FIG. 3

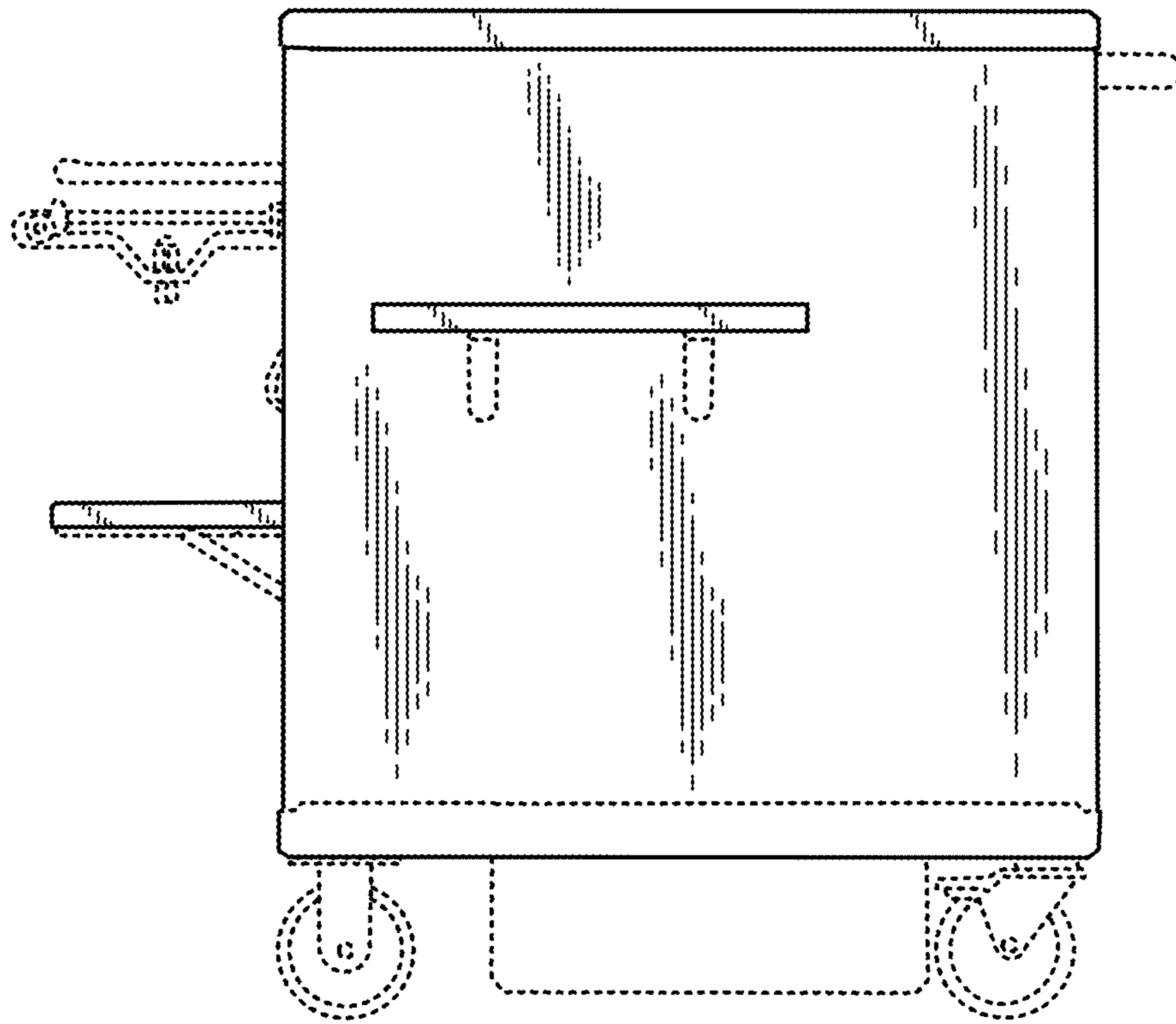


FIG. 4

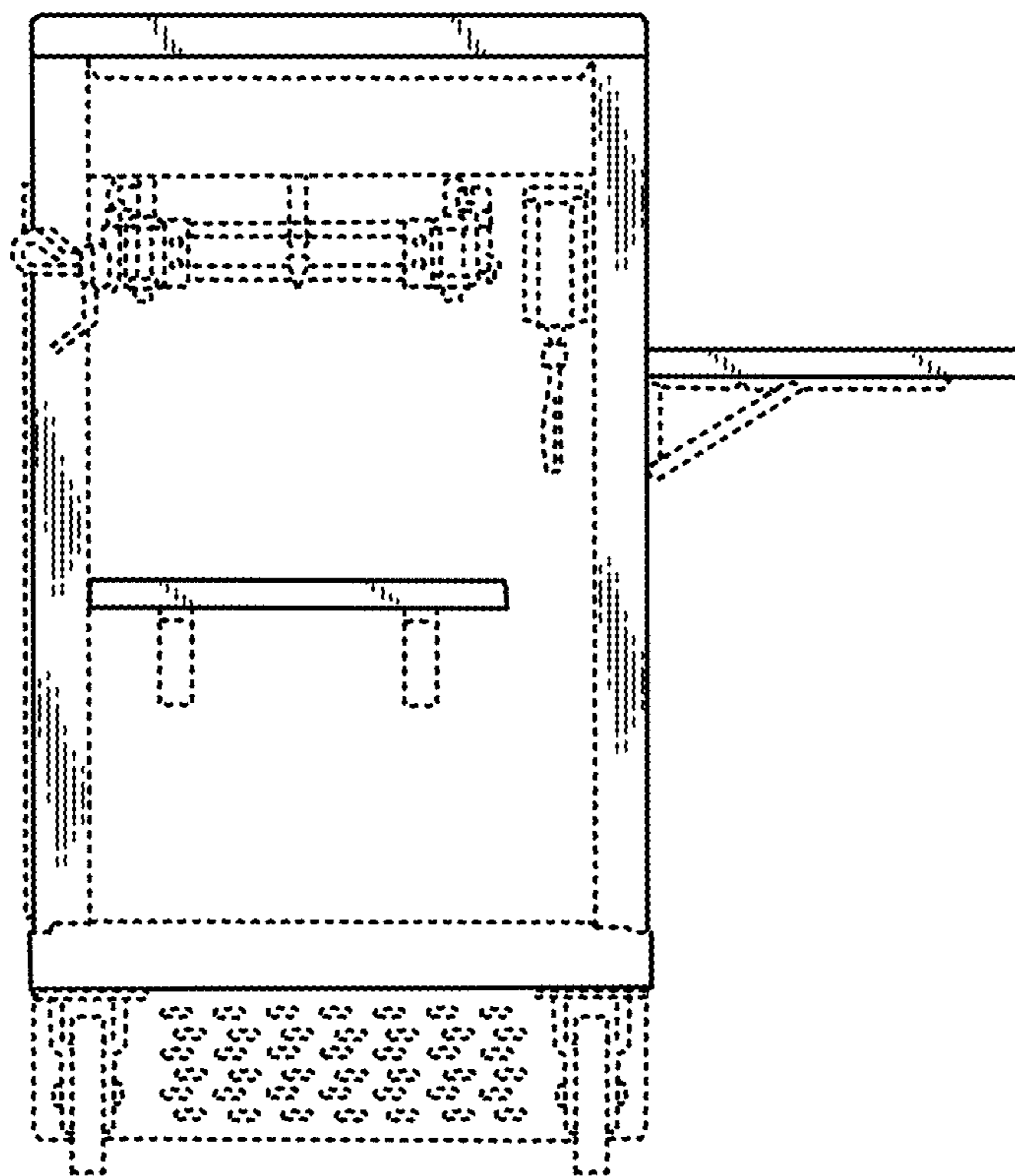


FIG. 5

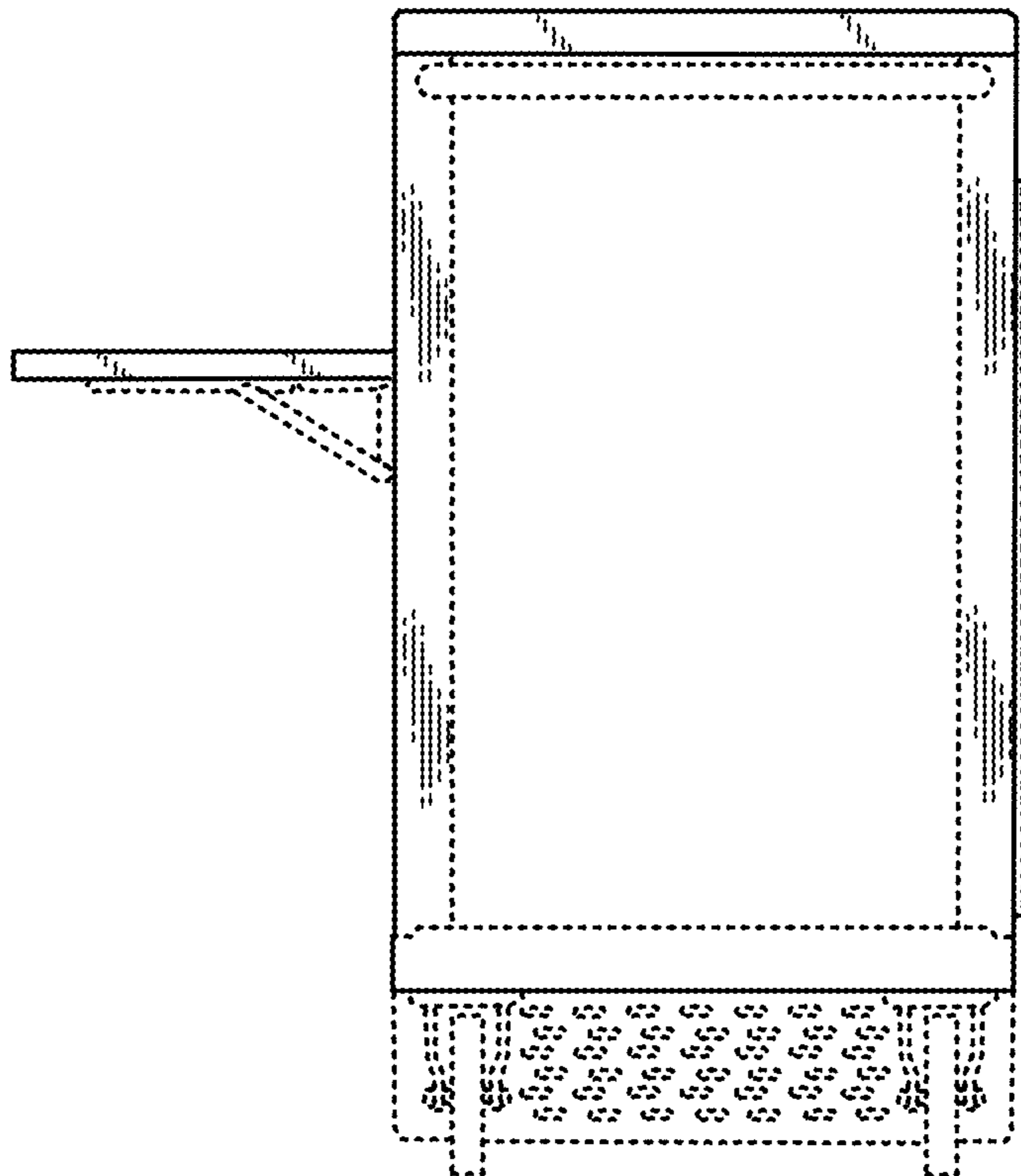


FIG. 6

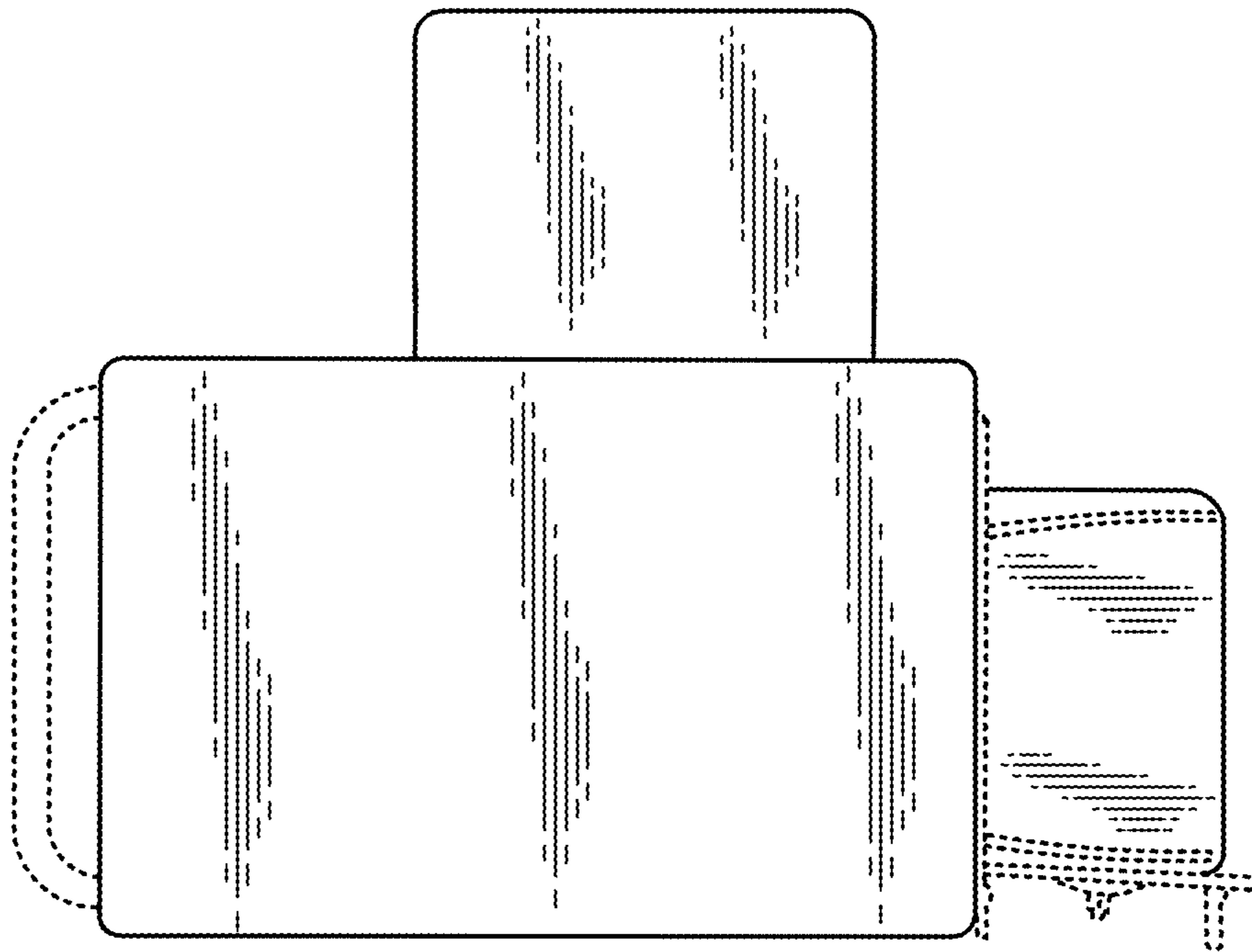


FIG. 7

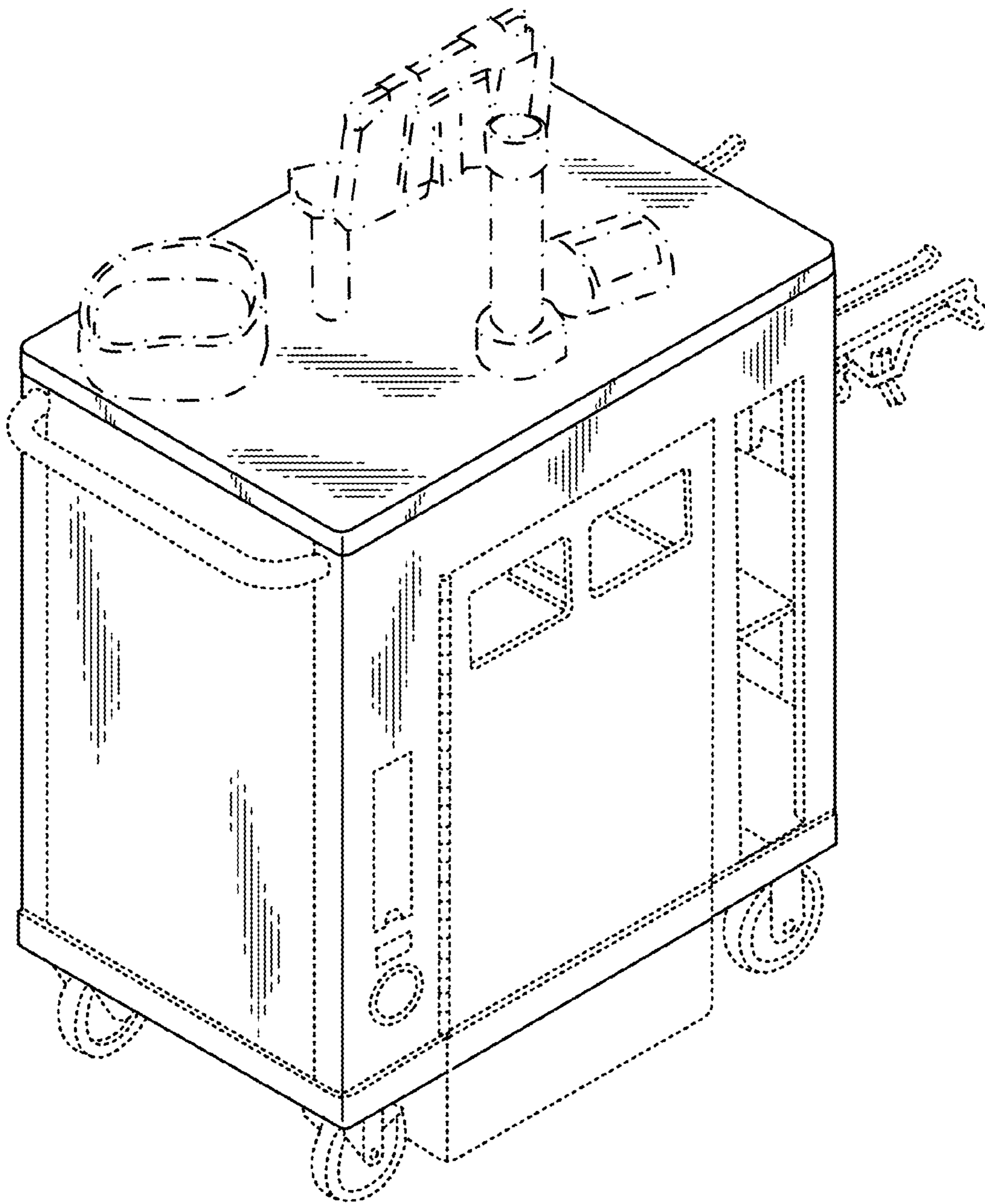


FIG. 8

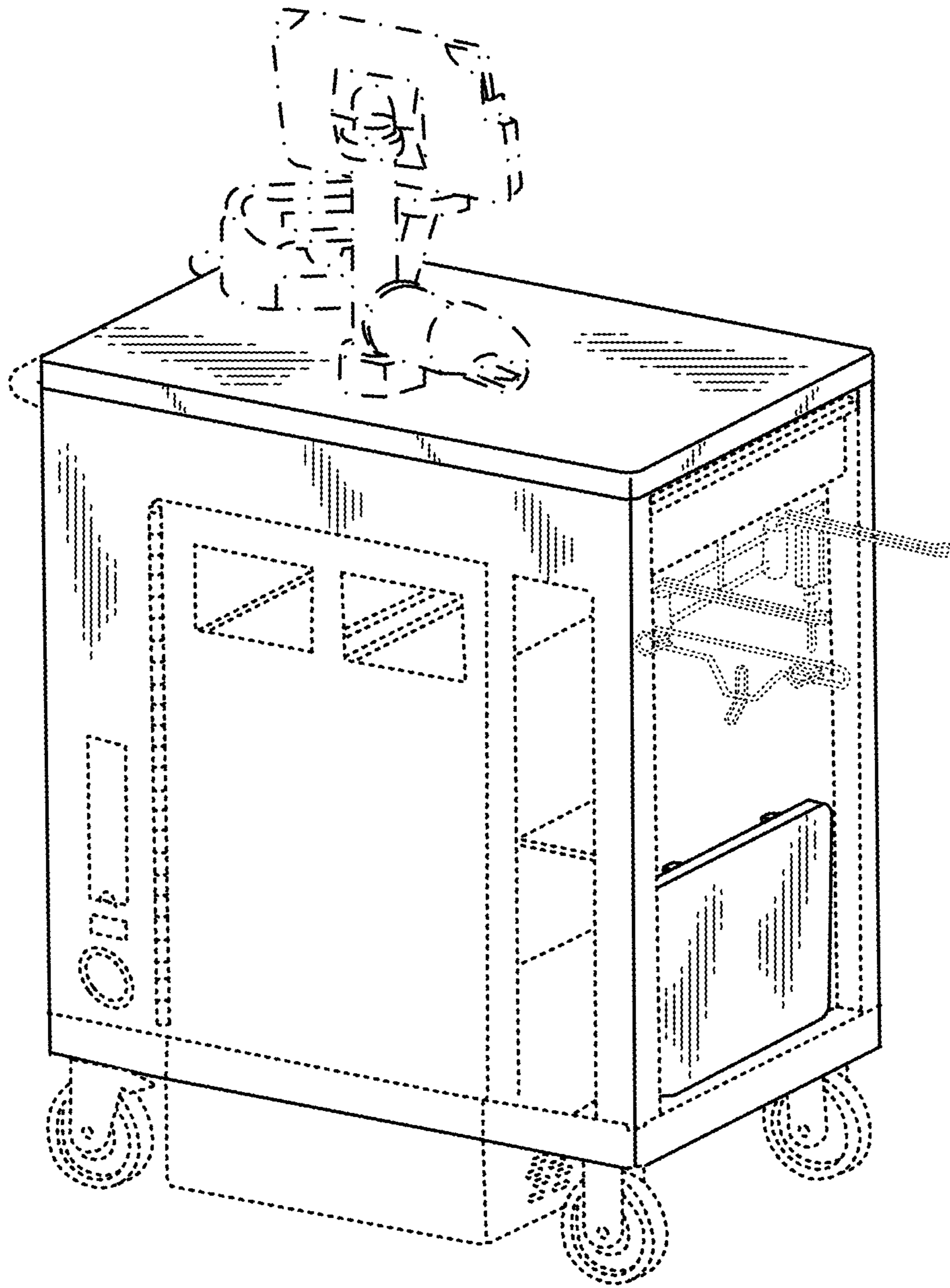


FIG. 9

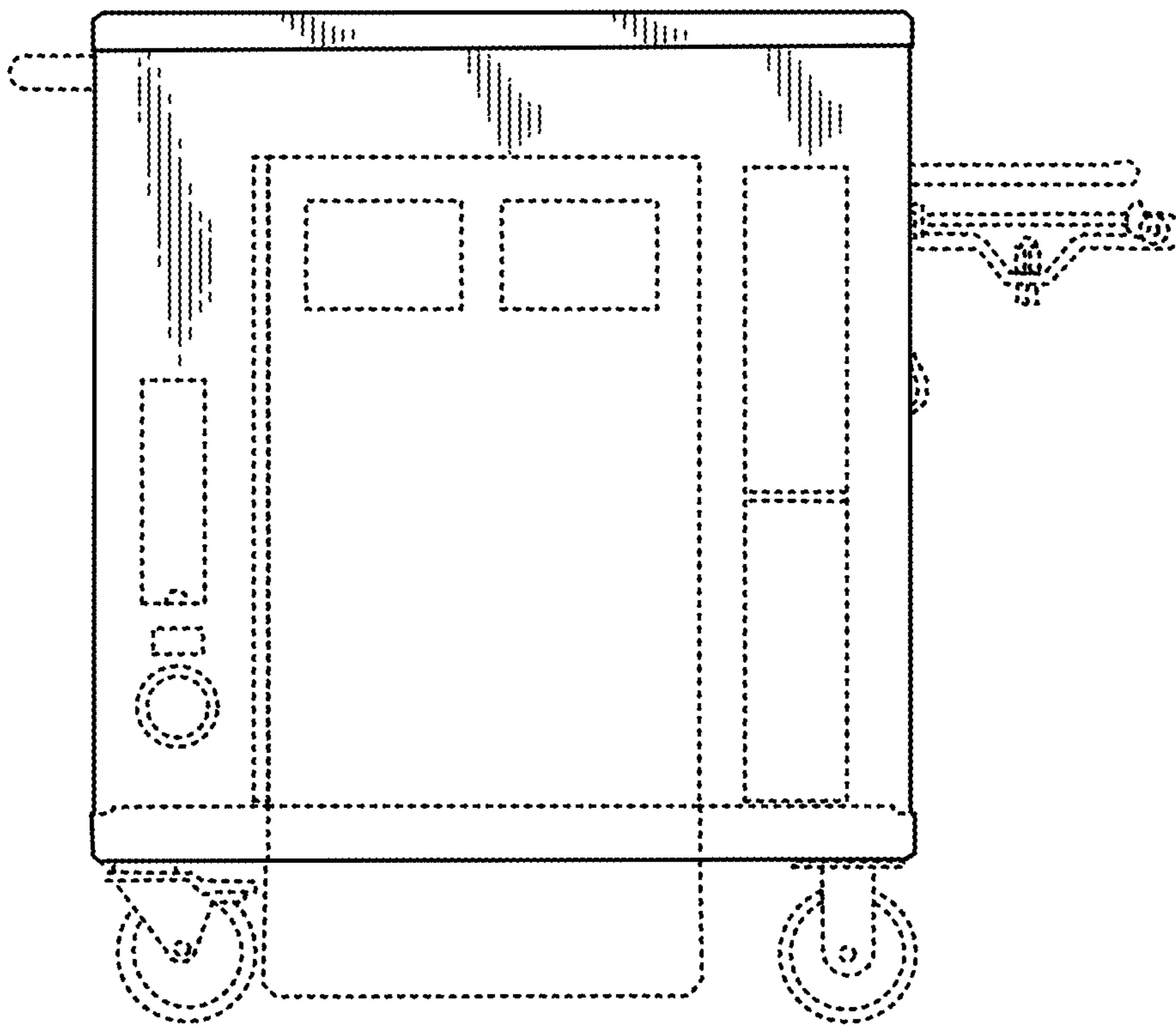


FIG. 10

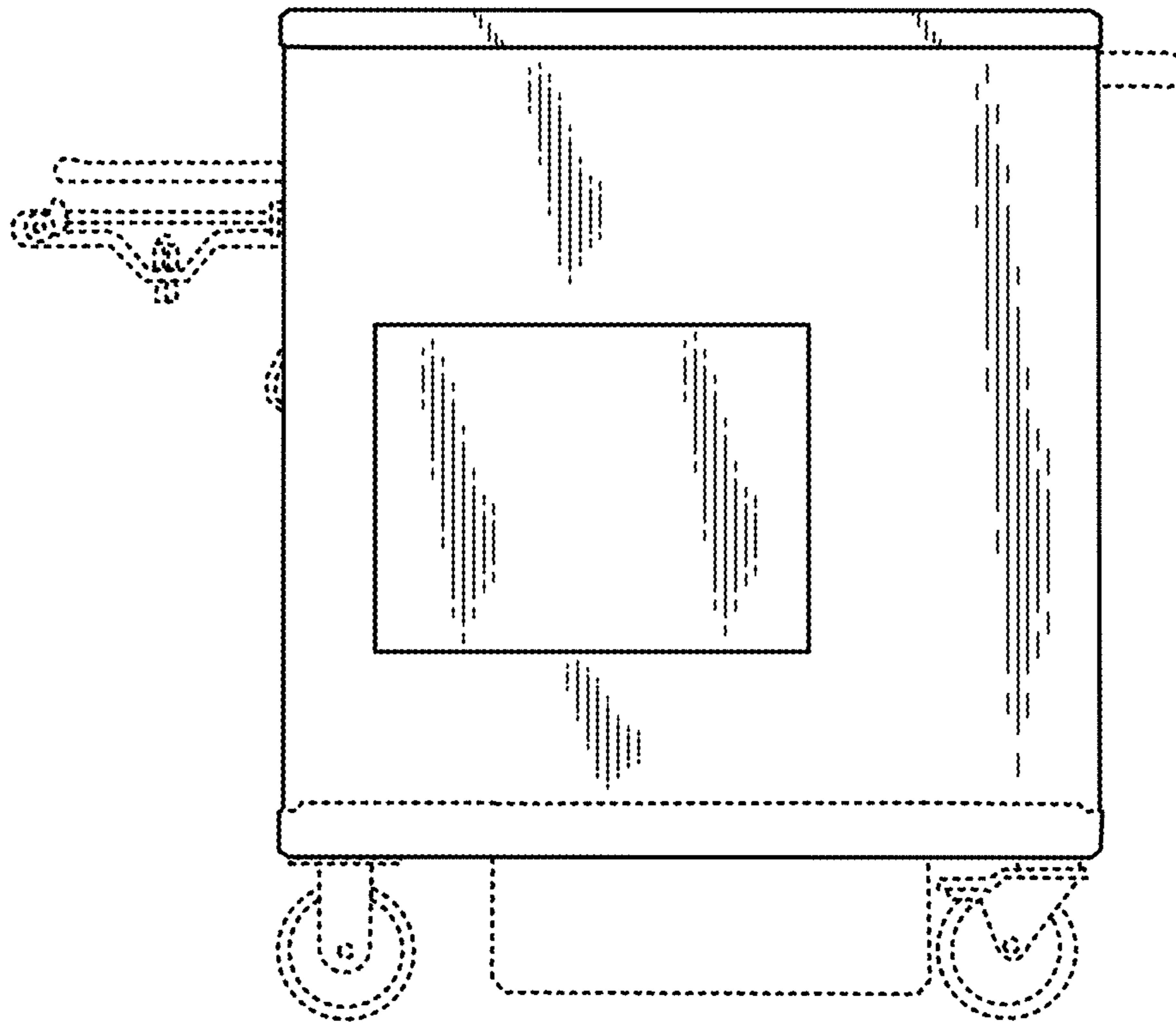


FIG. 11

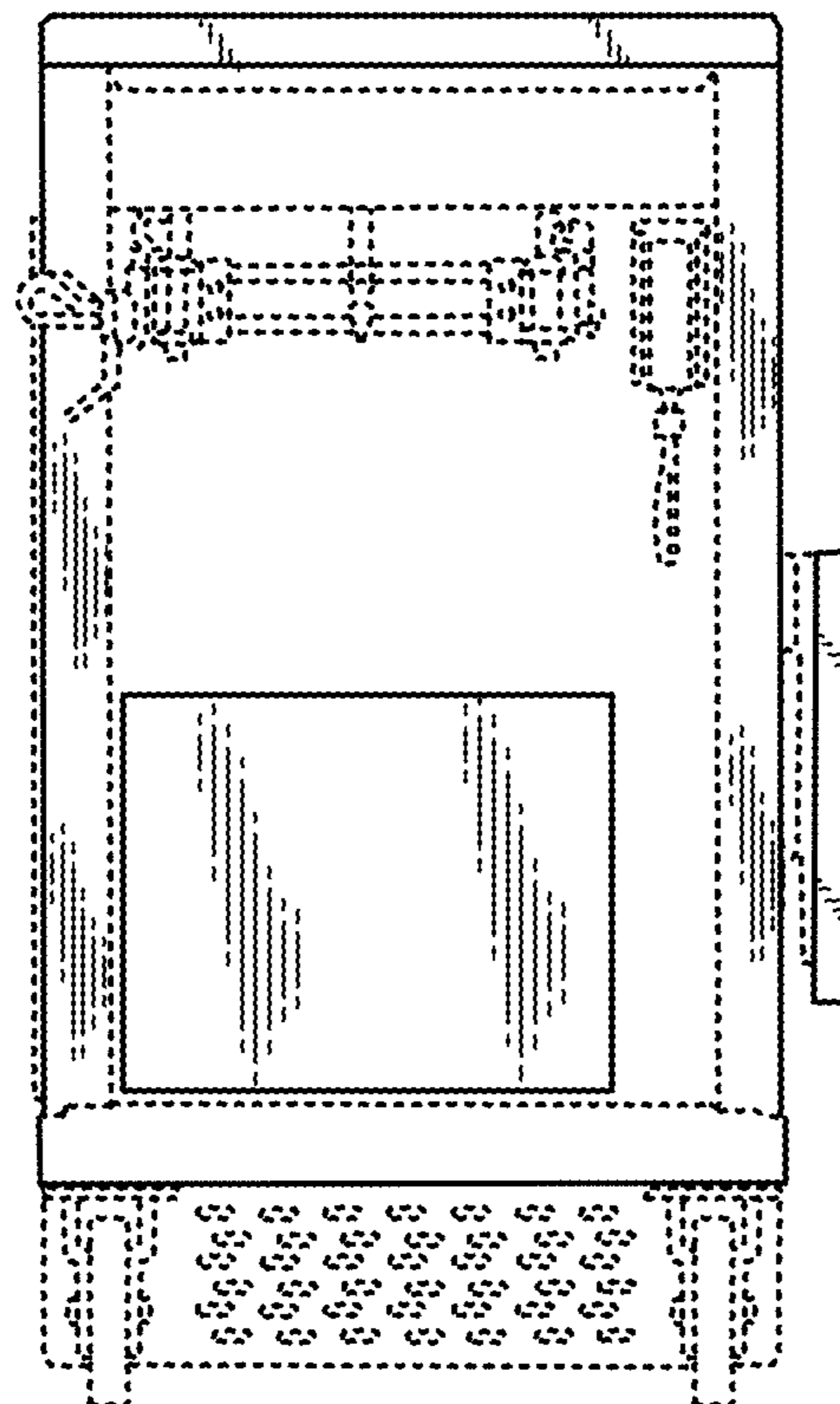


FIG. 12

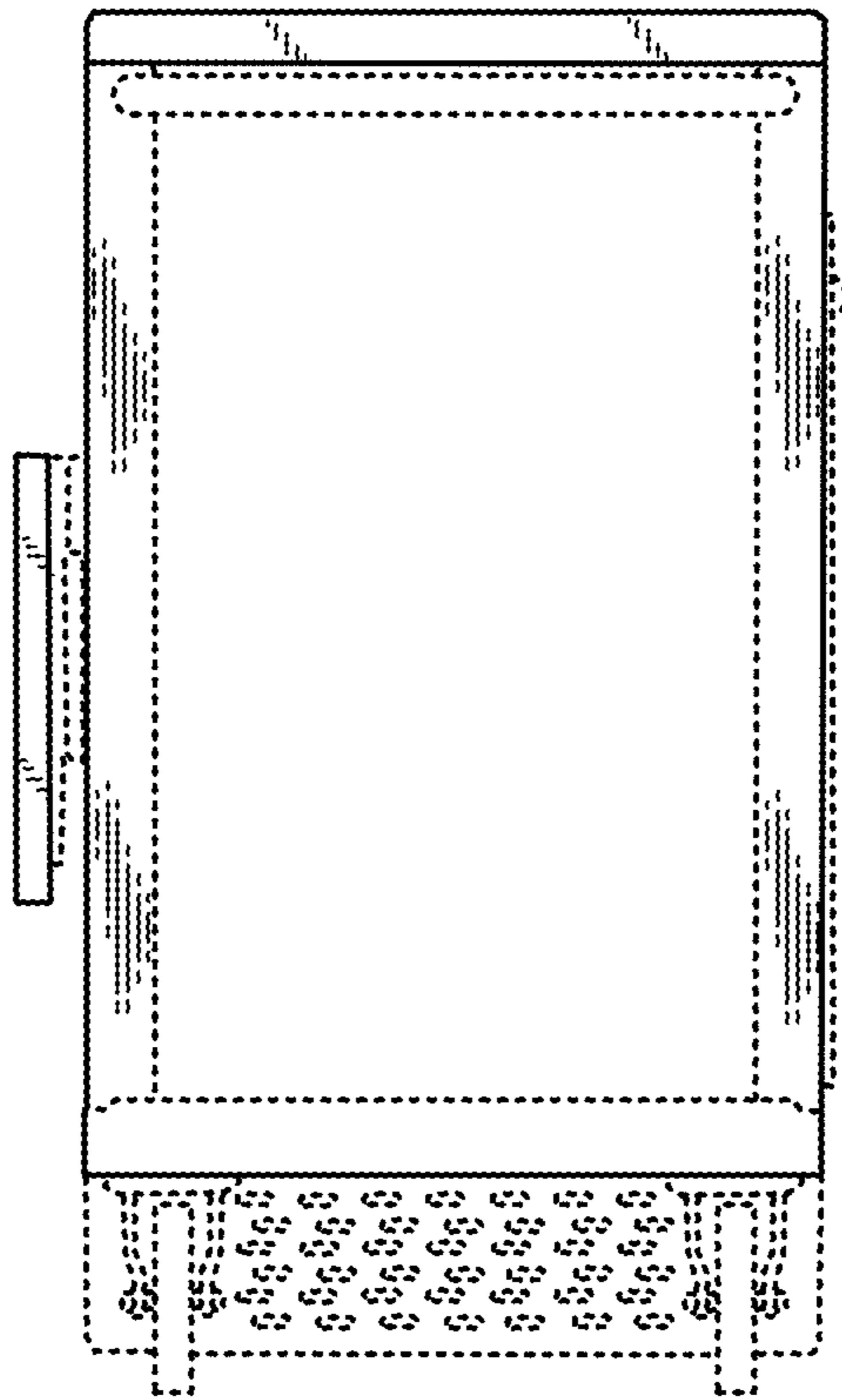


FIG. 13

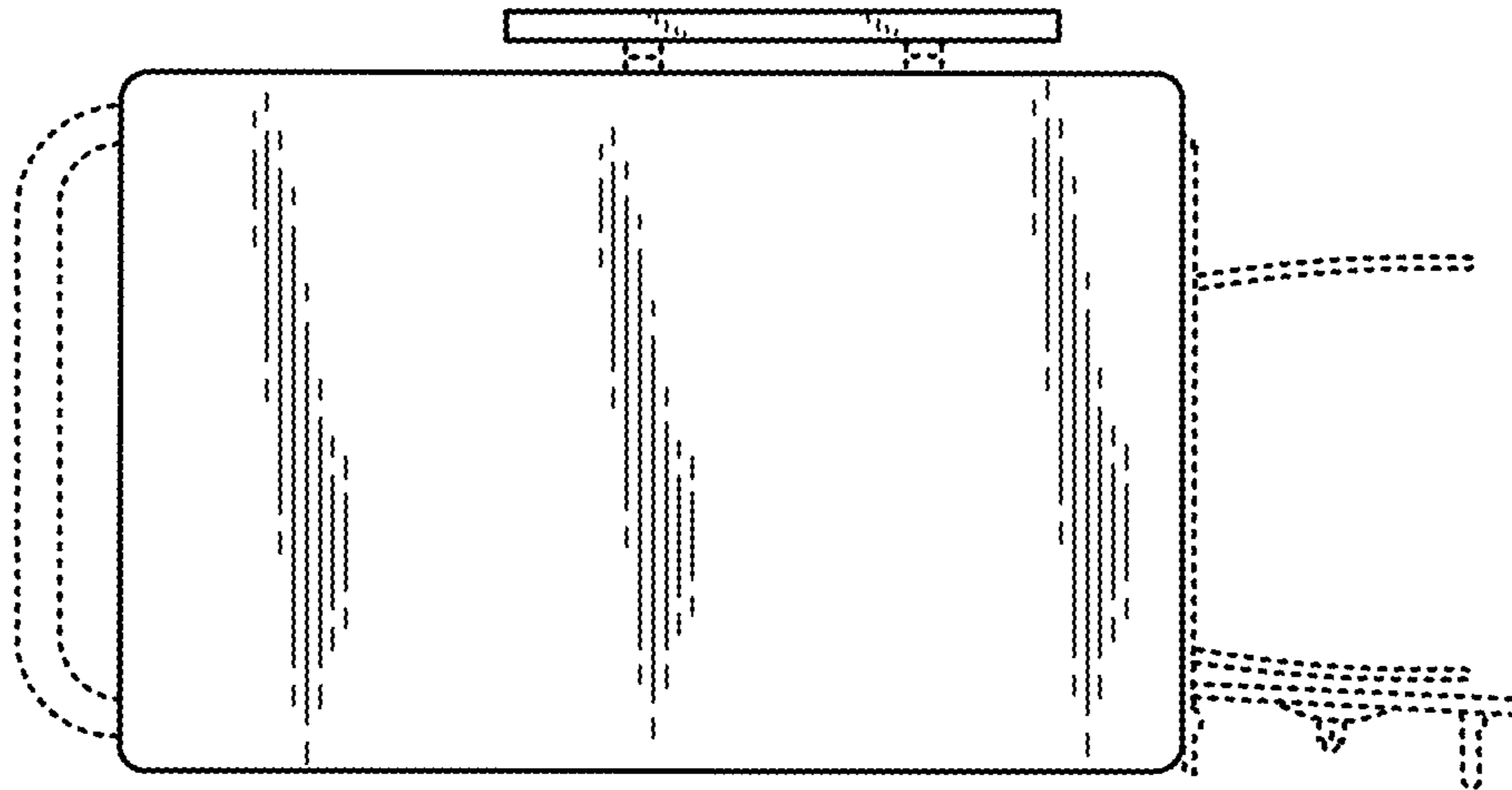


FIG. 14