



US00D703902S

(12) **United States Design Patent**
Jimenez

(10) **Patent No.:** **US D703,902 S**

(45) **Date of Patent:** **** Apr. 29, 2014**

(54) **TRASH BAG RETENTION DEVICE**

(71) Applicant: **Marisol Jimenez**, Pembroke Pines, FL
(US)

(72) Inventor: **Marisol Jimenez**, Pembroke Pines, FL
(US)

(**) Term: **14 Years**

(21) Appl. No.: **29/440,118**

(22) Filed: **Dec. 19, 2012**

(51) **LOC (10) Cl.** **09-09**

(52) **U.S. Cl.**
USPC **D34/10**

(58) **Field of Classification Search**
USPC D34/1, 5, 6, 10, 11; 220/908, 908.1,
220/909, 911, 912, 495.06, 495.08
See application file for complete search history.

(56) **References Cited**

U.S. PATENT DOCUMENTS

2,457,274	A *	12/1948	Rifken	248/314
4,570,304	A	2/1986	Montreuil et al.		
4,576,310	A	3/1986	Isgar et al.		
4,735,340	A	4/1988	Preston		
4,923,087	A	5/1990	Burrows		
D358,692	S *	5/1995	Kasbohm	D34/10
5,467,949	A *	11/1995	Lemke	248/95
5,645,186	A	7/1997	Powers et al.		
5,695,088	A	12/1997	Kasbohm		
5,911,335	A	6/1999	Baumann		

D542,002	S *	5/2007	Yang et al	D34/10
D568,572	S *	5/2008	Yang et al.	D34/10
D580,122	S *	11/2008	Dukes	D34/10
D584,470	S *	1/2009	Bizzell et al.	D34/10
D599,074	S *	8/2009	Bizzell et al.	D34/10
D611,217	S *	3/2010	Bizzell et al.	D34/10
D620,664	S *	7/2010	Graby	D34/5
D657,107	S *	4/2012	Fitzpatrick et al.	D34/6
D667,601	S *	9/2012	Fitzpatrick et al.	D34/6
2012/0224947	A1 *	9/2012	Fitzpatrick et al.	414/808

OTHER PUBLICATIONS

www.unoclean.com; HoldIt Products Band It Premium Elastic Trash Can Loop; internet as of Dec. 19, 2012.

* cited by examiner

Primary Examiner — Cynthia Ramirez

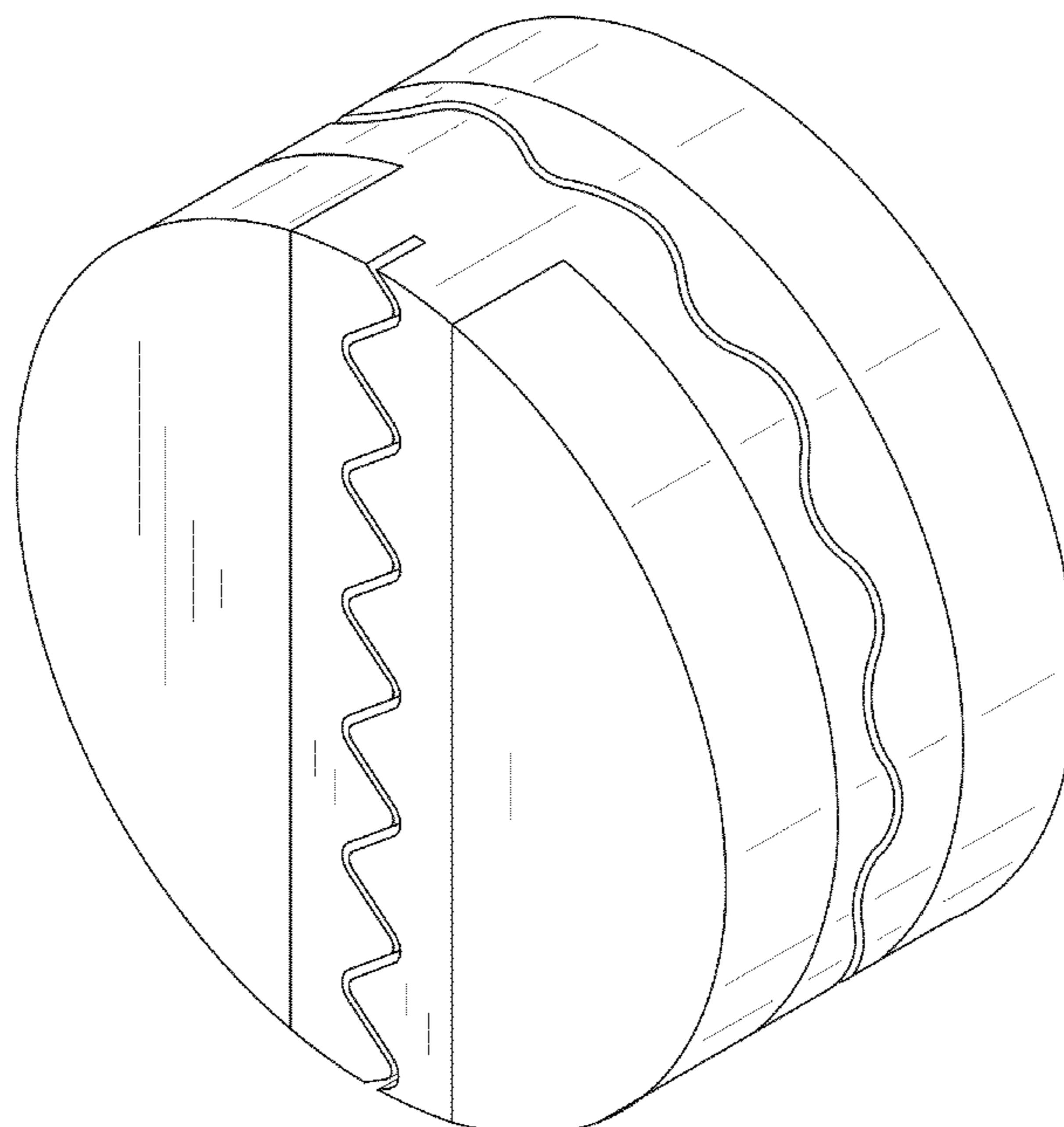
(57) **CLAIM**

The ornamental design for a trash bag retention device, as shown and described.

DESCRIPTION

FIG. 1 is a front perspective view of a trash bag retention device showing my new design;
FIG. 2 is a front view thereof;
FIG. 3 is a back view thereof;
FIG. 4 is a side view; opposite side view is a mirror image thereof;
FIG. 5 is a top view; opposite bottom view is a mirror image thereof; and,
FIG. 6 is a back perspective view thereof.

1 Claim, 6 Drawing Sheets



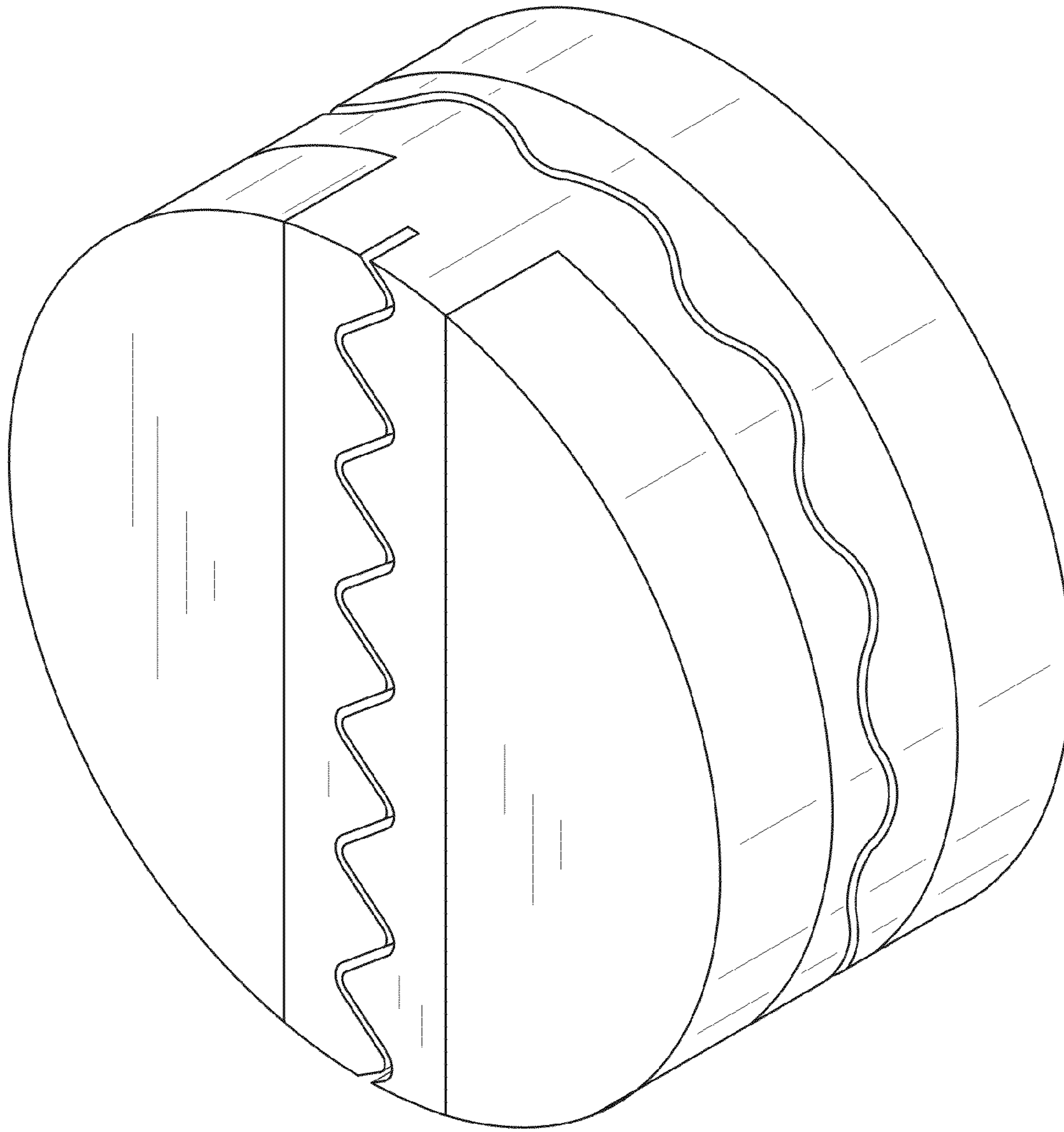


FIG. 1

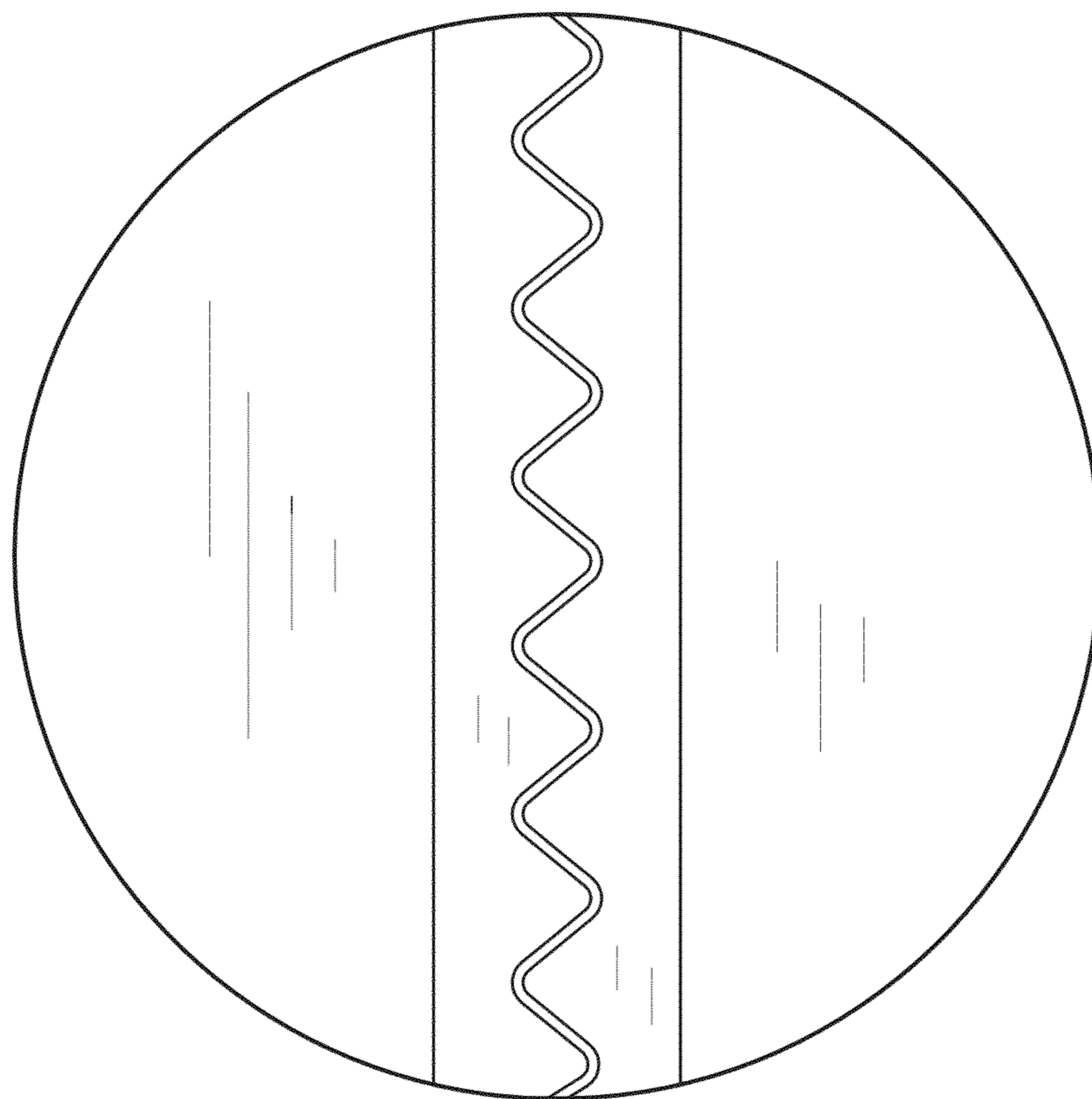


FIG. 2

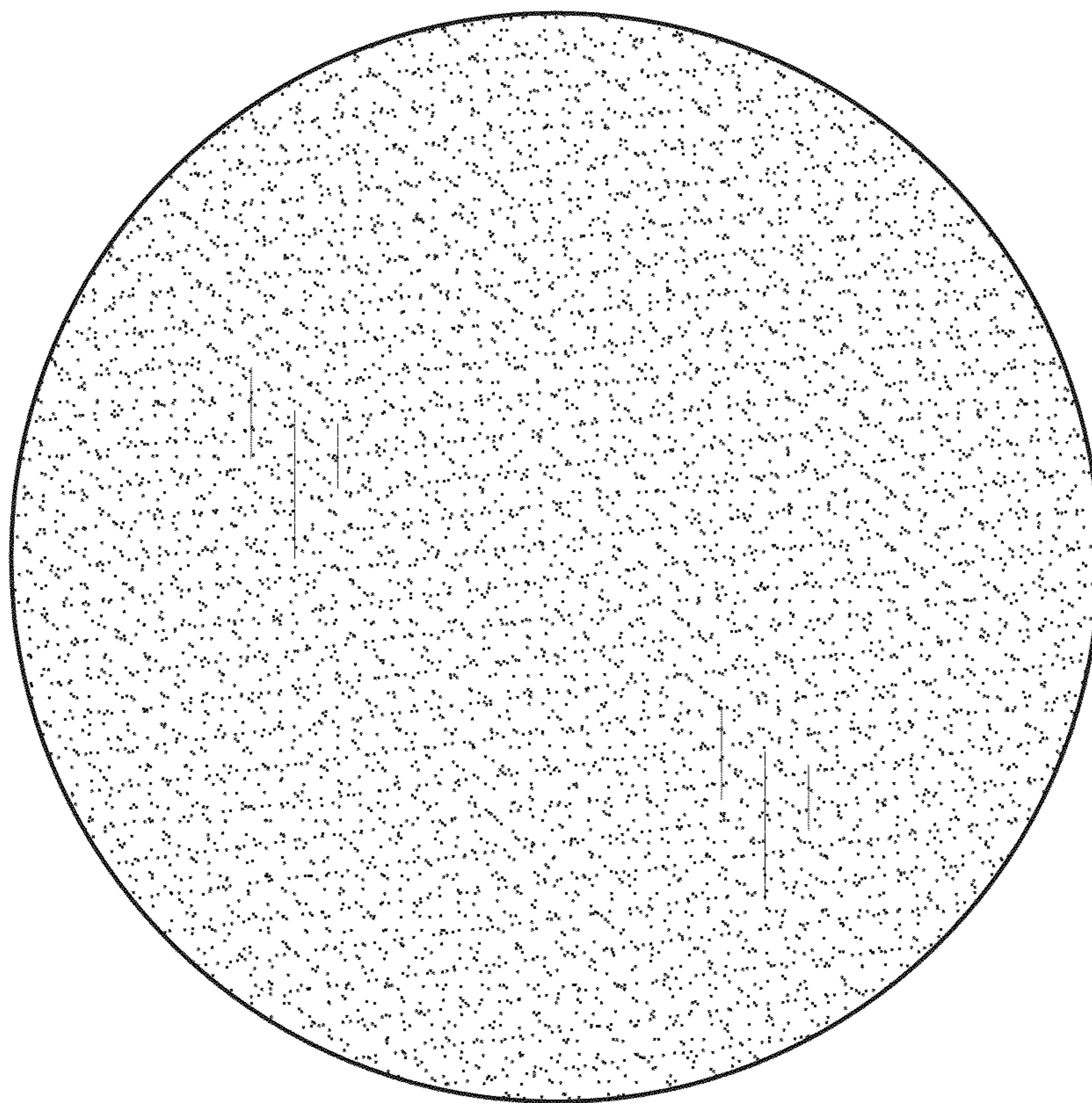


FIG. 3

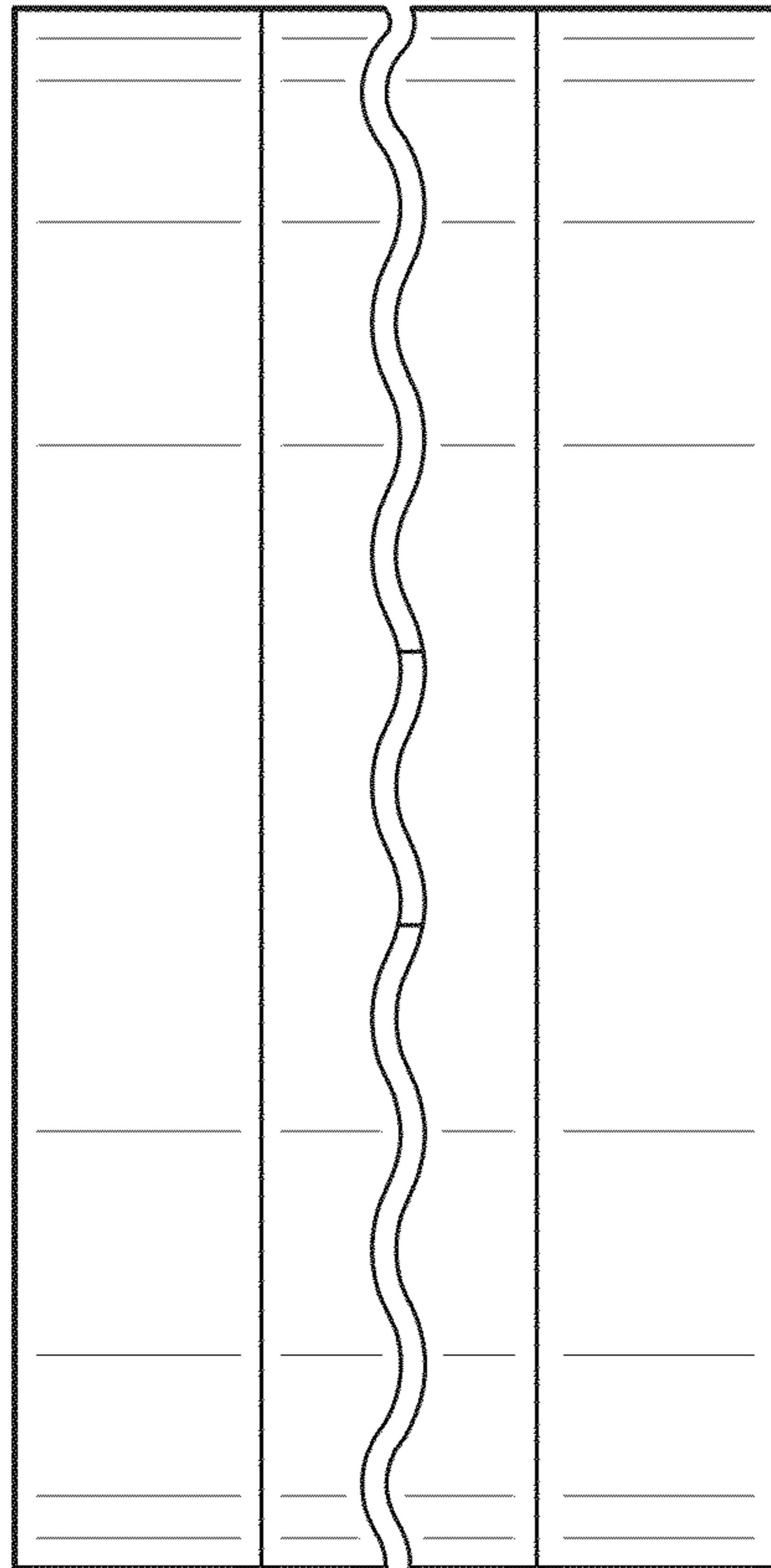


FIG. 4

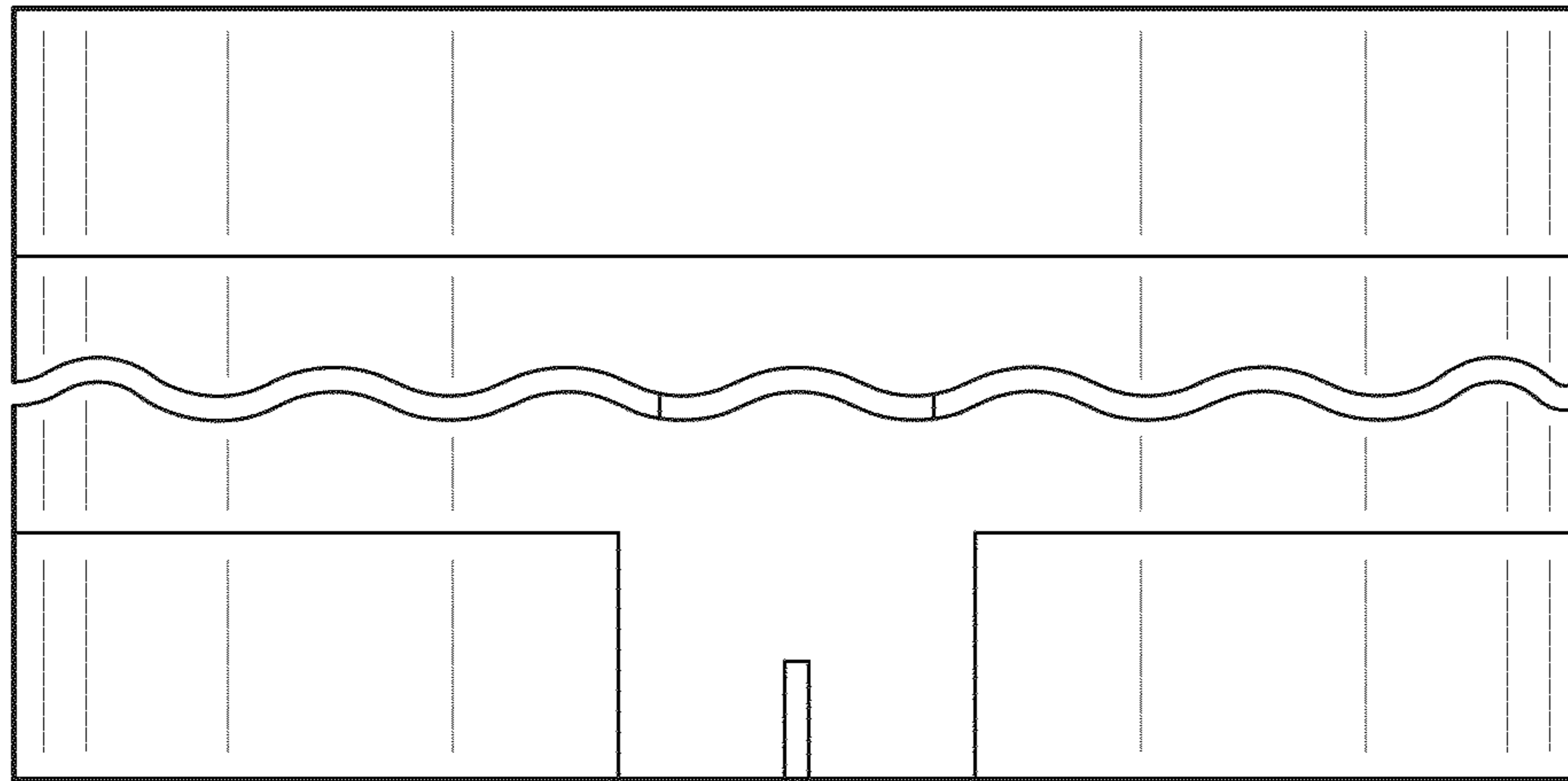


FIG. 5

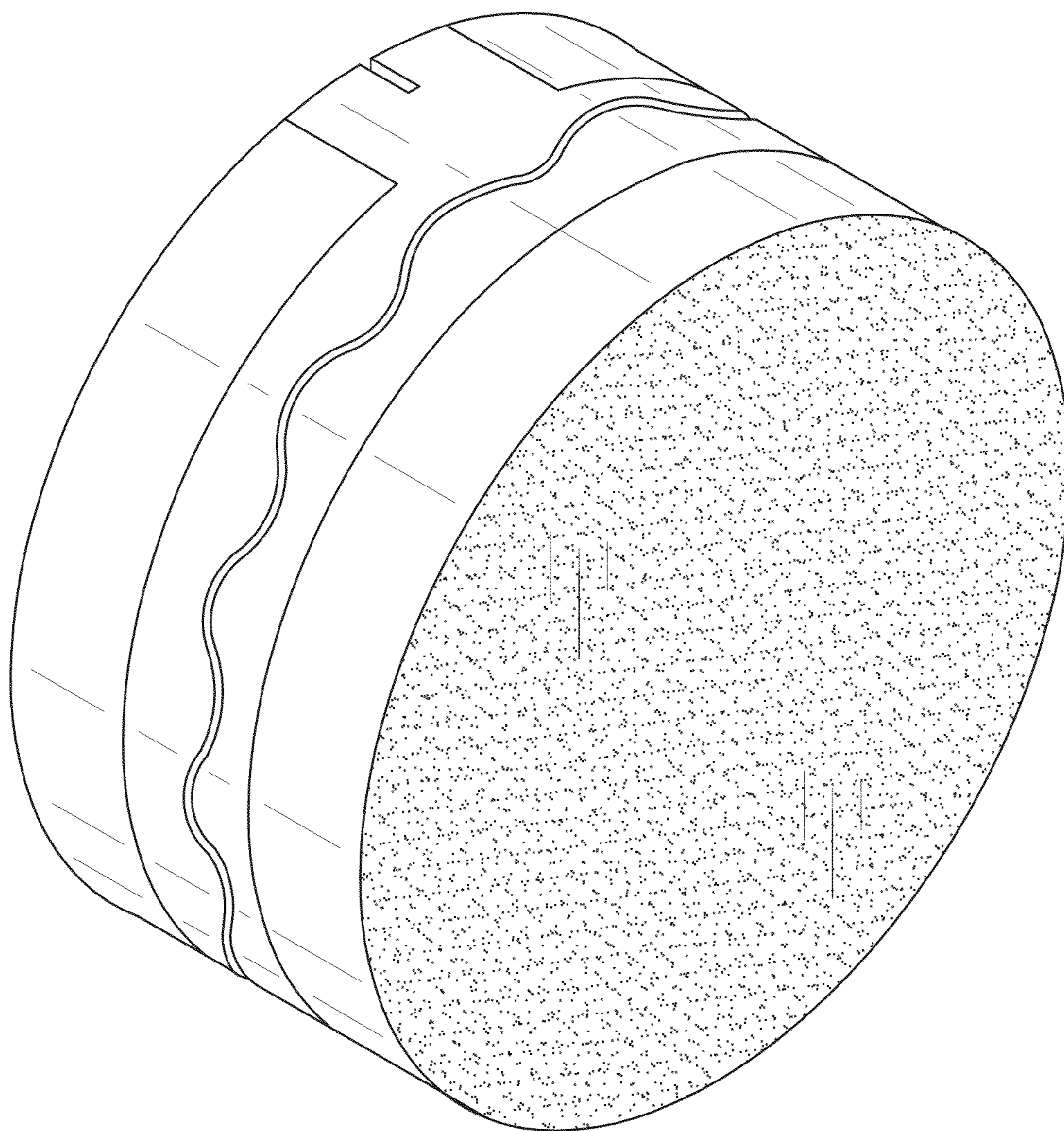


FIG. 6