



US00D703897S

(12) **United States Design Patent**
 Holding et al.

(10) **Patent No.:** **US D703,897 S**

(45) **Date of Patent:** **** Apr. 29, 2014**

(54) **WASHING-UP BOWL**

(56) **References Cited**

(71) Applicant: **Joseph Joseph Ltd.**, London (GB)

U.S. PATENT DOCUMENTS

(72) Inventors: **Bill Holding**, London (GB); **Ben Cox**,
London (GB)

D290,897 S * 7/1987 Streit D32/53
D326,345 S * 5/1992 Mandell et al. D3/312
D549,416 S * 8/2007 Sampaio D32/53

(73) Assignee: **Joseph Joseph Ltd.**, London (GB)

* cited by examiner

(**) Term: **14 Years**

Primary Examiner — Robin V Webster

(21) Appl. No.: **29/448,391**

(74) *Attorney, Agent, or Firm* — Millen, White, Zelano,
Branigan, P.C.

(22) Filed: **Mar. 12, 2013**

(57) **CLAIM**

The ornamental design for a washing-up bowl, as shown and
described.

(30) **Foreign Application Priority Data**

DESCRIPTION

Sep. 13, 2012 (EM) 002102343-0002

FIG. 1 is a top view of the washing-up bowl showing my new
design.

(51) **LOC (10) Cl.** **07-07**

FIG. 2 is a side view thereof.

(52) **U.S. Cl.**

FIG. 3 is another side view thereof.

USPC **D32/53**

FIG. 4 is another side view thereof.

(58) **Field of Classification Search**

FIG. 5 is another side view thereof.

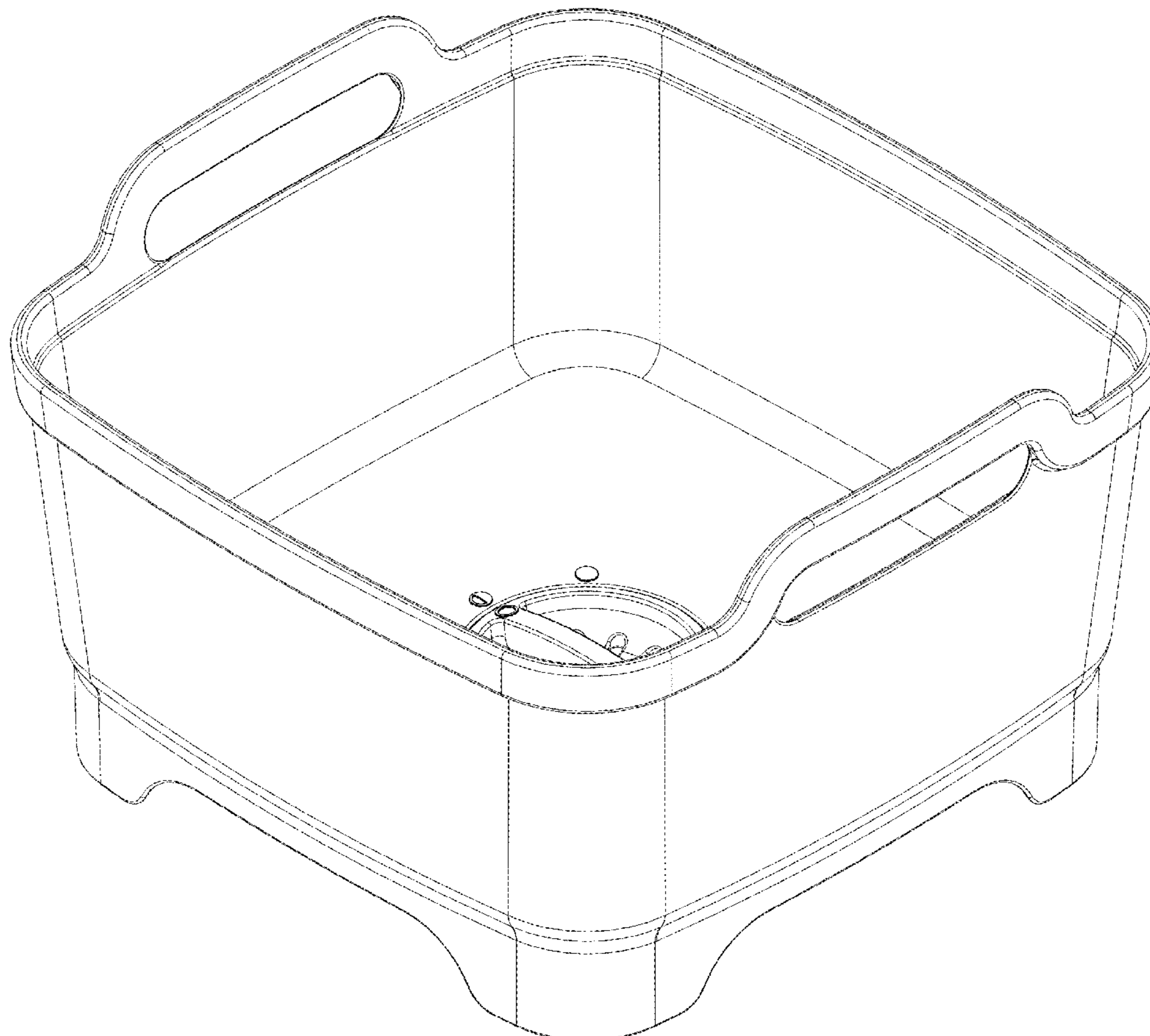
USPC D32/53, 53.1, 54; D34/23; 280/79.5;
15/260–264; 220/904

FIG. 6 is a bottom view thereof; and,

FIG. 7 is a perspective view thereof.

See application file for complete search history.

1 Claim, 7 Drawing Sheets



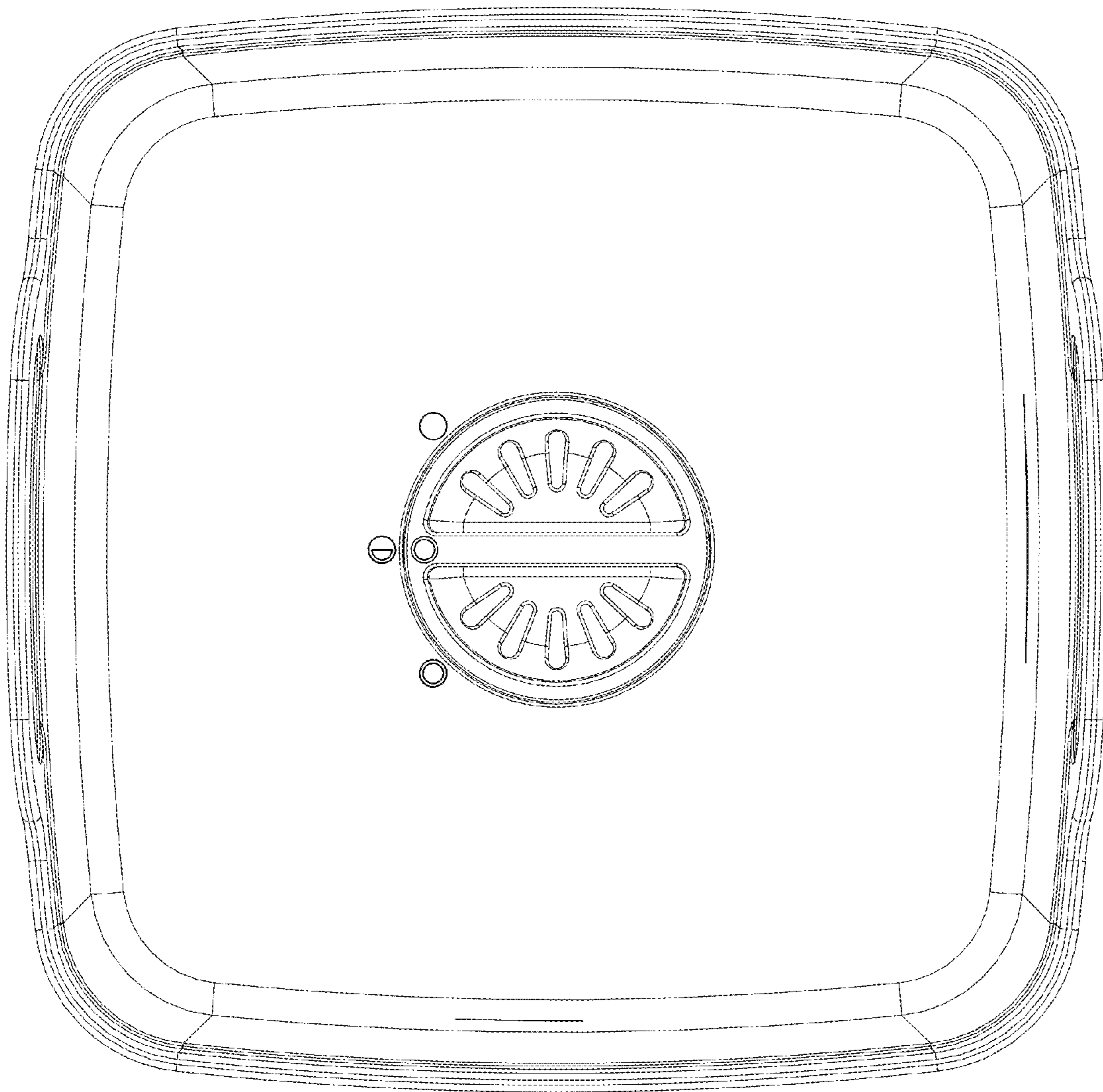


FIG. 1

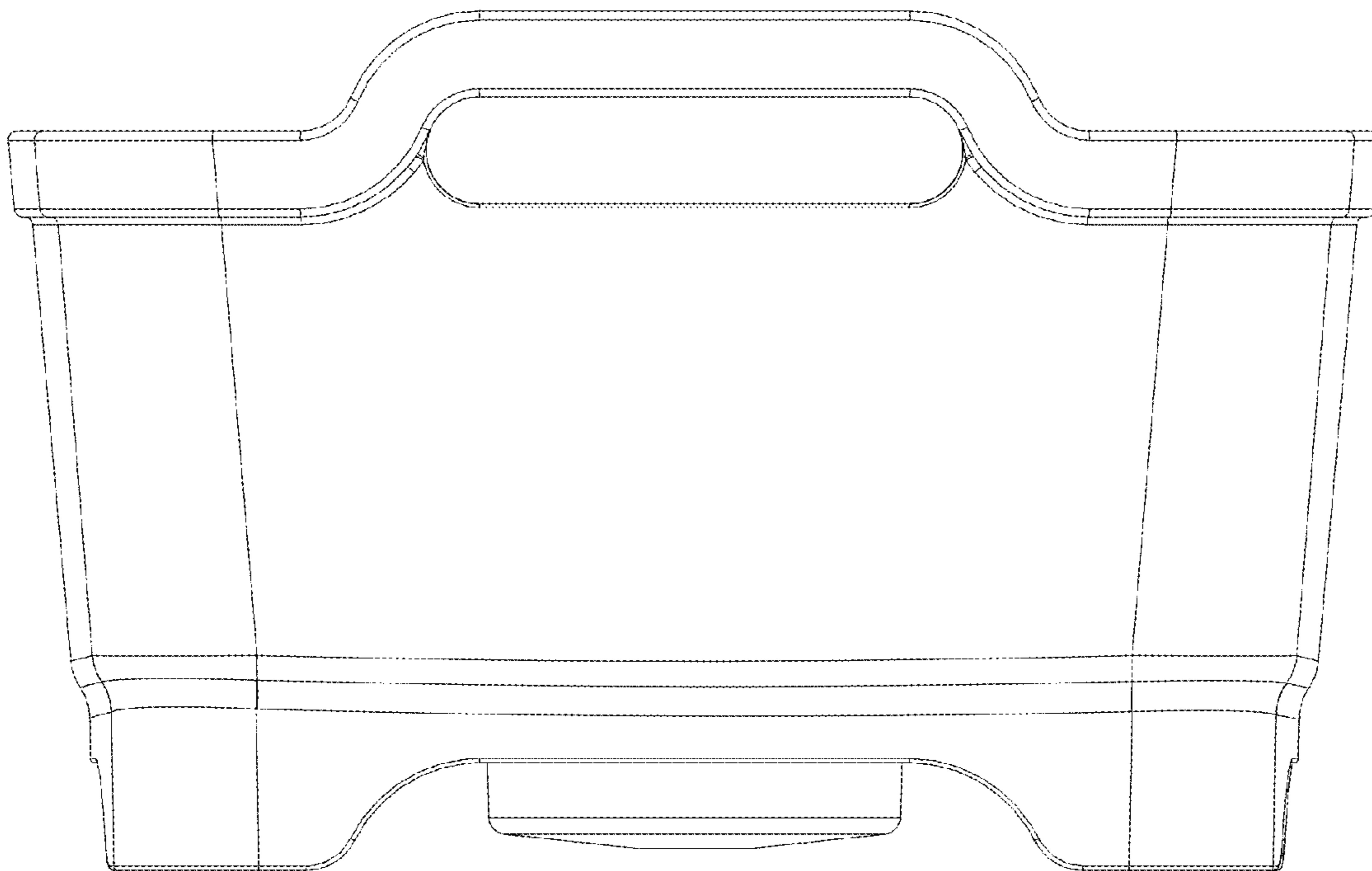


FIG. 2

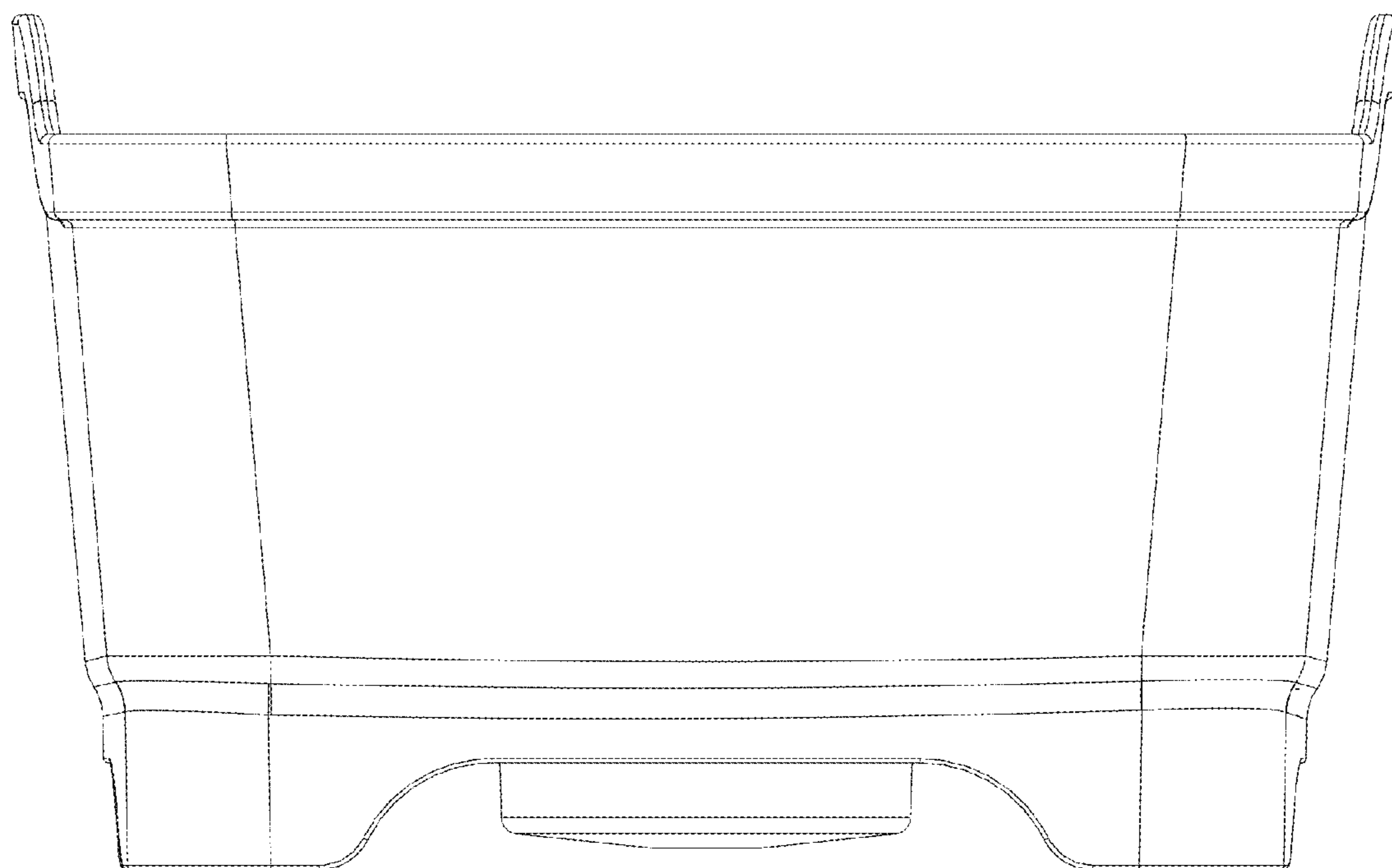


FIG. 3

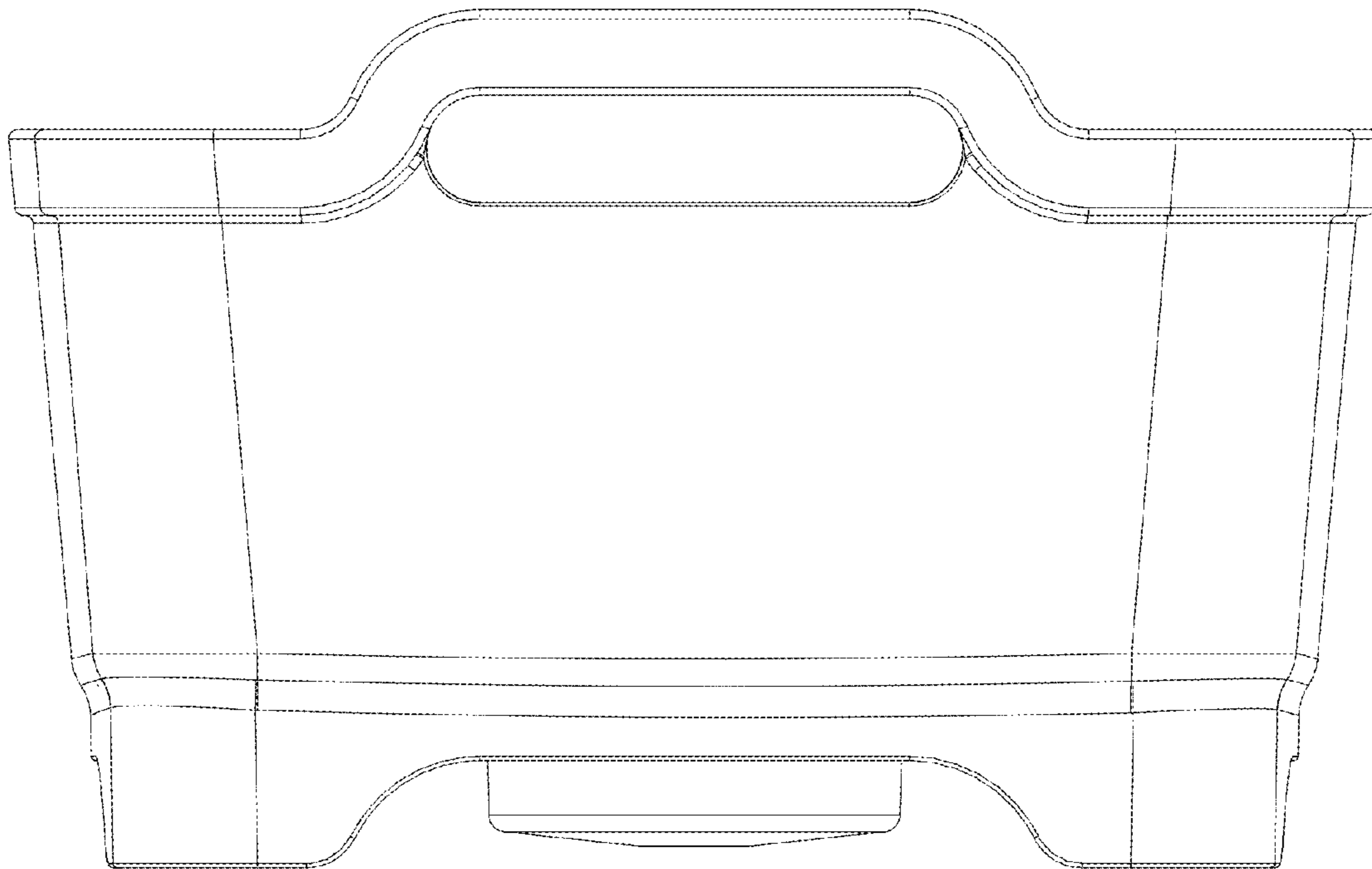


FIG. 4

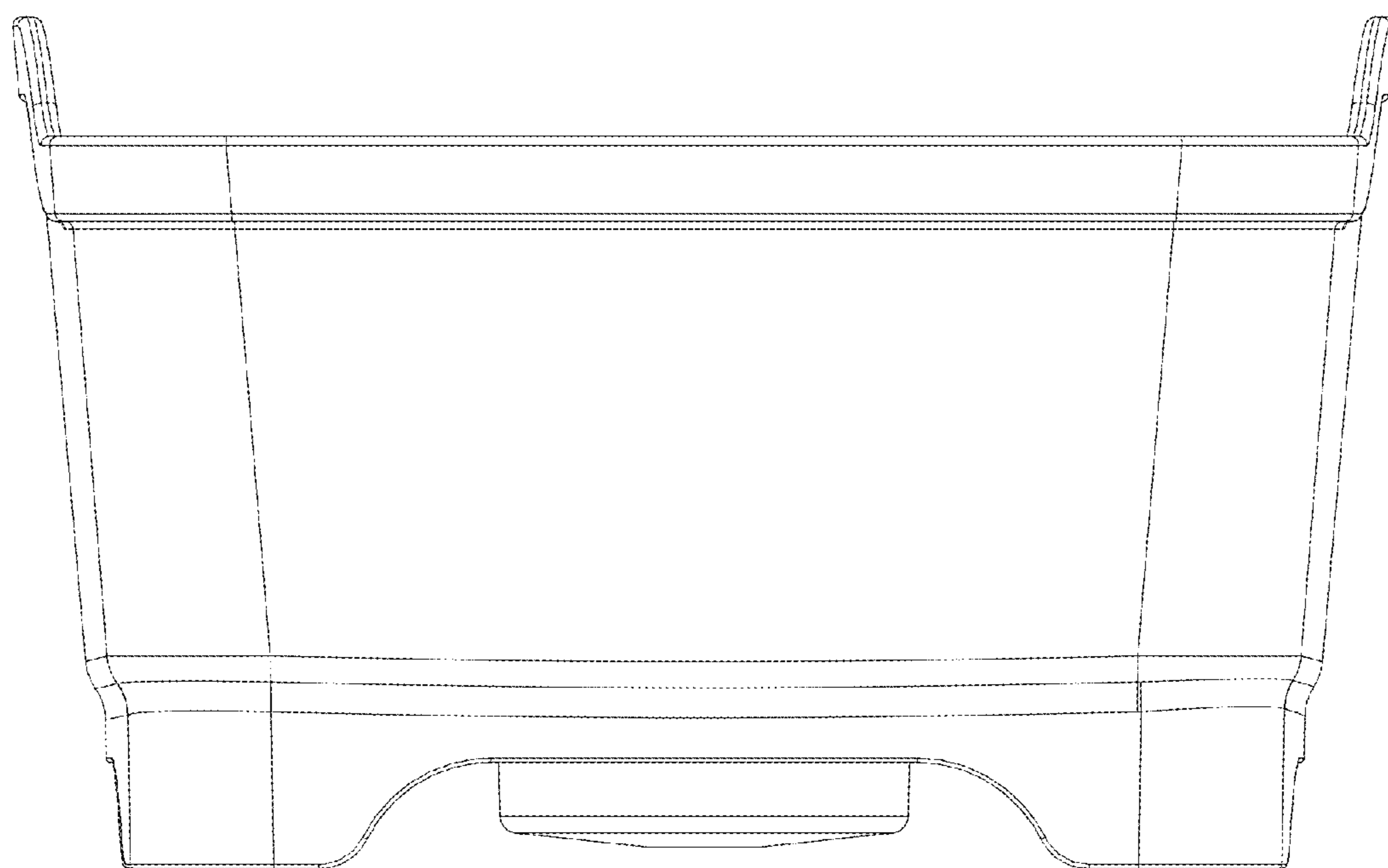


FIG. 5

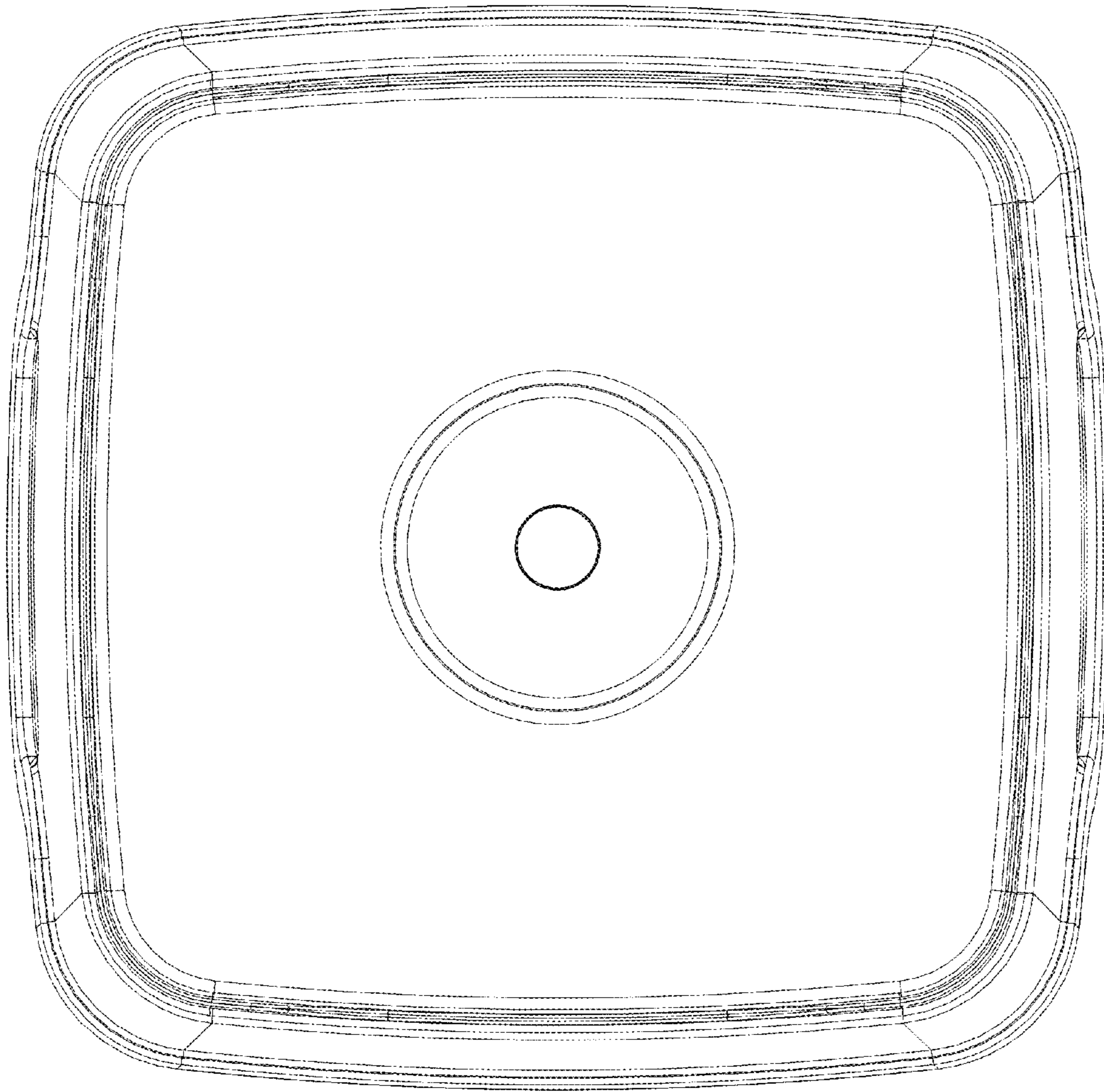


FIG. 6

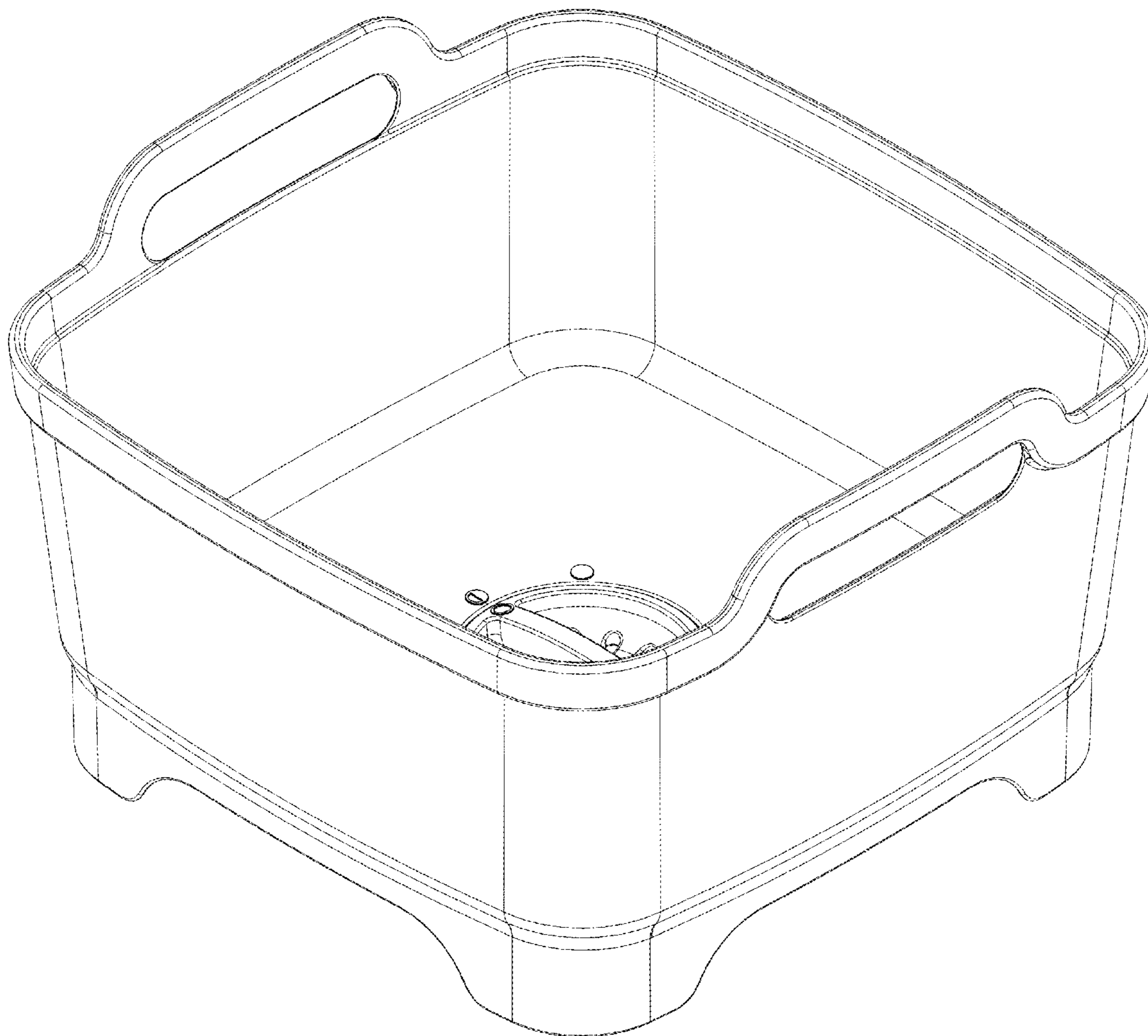


FIG. 7