



US00D703892S

(12) **United States Design Patent**  
**Nhem et al.**

(10) **Patent No.:** **US D703,892 S**

(45) **Date of Patent:** **\*\* Apr. 29, 2014**

(54) **VACUUM CLEANER FILTER ADAPTER RING**

(71) Applicant: **Electrolux Home Care Products, Inc.**,  
Charlotte, NC (US)

(72) Inventors: **Leiah Nhem**, Charlotte, NC (US); **Fang A. Zhang**, TianJin Province (CN);  
**Marble Wang**, Shanghai (CN); **Shawn Xiao**, JiangSu (CN)

(73) Assignee: **Electrolux Home Care Products, Inc.**,  
Charlotte, NC (US)

(\*\*) Term: **14 Years**

(21) Appl. No.: **29/448,858**

(22) Filed: **Mar. 14, 2013**

(51) **LOC (10) Cl.** ..... **15-05**

(52) **U.S. Cl.**  
USPC ..... **D32/31**

(58) **Field of Classification Search**  
USPC ..... D32/38-40, 45, 50, 51, 31-33, 22, 17,  
D32/30; 15/415.1-422, 1, 414, 320, 322,  
15/405, 410, 353, 400, 333, 334, 335, 350,  
15/327.1-327.7, 354-355, 357, 98, 403,  
15/228, 231, 104.93, 49.1; 401/138, 140;  
55/DIG. 2, 3, 26, 378; D30/152;  
D11/231, 235; D23/259, 266  
See application file for complete search history.

(56) **References Cited**

**U.S. PATENT DOCUMENTS**

D29,797 S \* 12/1898 Pratt ..... D23/262  
2,288,904 A \* 7/1942 Hudson ..... 285/148.8  
D208,388 S \* 8/1967 Graham ..... D23/265  
4,921,606 A \* 5/1990 Goldman ..... 210/238  
5,746,792 A \* 5/1998 Clements et al. .... 55/341.1  
5,779,745 A 7/1998 Kilström  
5,803,513 A \* 9/1998 Richardson ..... 285/342  
5,863,425 A \* 1/1999 Herlehy et al. .... 210/167.17  
D479,585 S \* 9/2003 Mulligan et al. .... D23/262

D508,980 S \* 8/2005 Bigelow ..... D23/262  
D513,793 S \* 1/2006 Copeland et al. .... D23/262  
D515,673 S \* 2/2006 Copeland et al. .... D23/262  
7,140,068 B1 \* 11/2006 Vander Baan et al. .... 15/347  
D593,641 S \* 6/2009 Plank et al. .... D23/259  
D594,937 S \* 6/2009 Price et al. .... D23/259  
D596,272 S \* 7/2009 Price et al. .... D23/259  
D605,734 S \* 12/2009 Henry et al. .... D23/262  
D620,086 S \* 7/2010 Copeland et al. .... D23/266  
D678,989 S \* 3/2013 Zerrer ..... D23/259

**FOREIGN PATENT DOCUMENTS**

EP 1571957 B1 2/2012

**OTHER PUBLICATIONS**

Engineering Drawings for commercial product on sale in the United States before Mar. 14, 2013 dated Jun. 15, 2011.

\* cited by examiner

*Primary Examiner* — Ruth McInroy

(74) *Attorney, Agent, or Firm* — RatnerPrestia

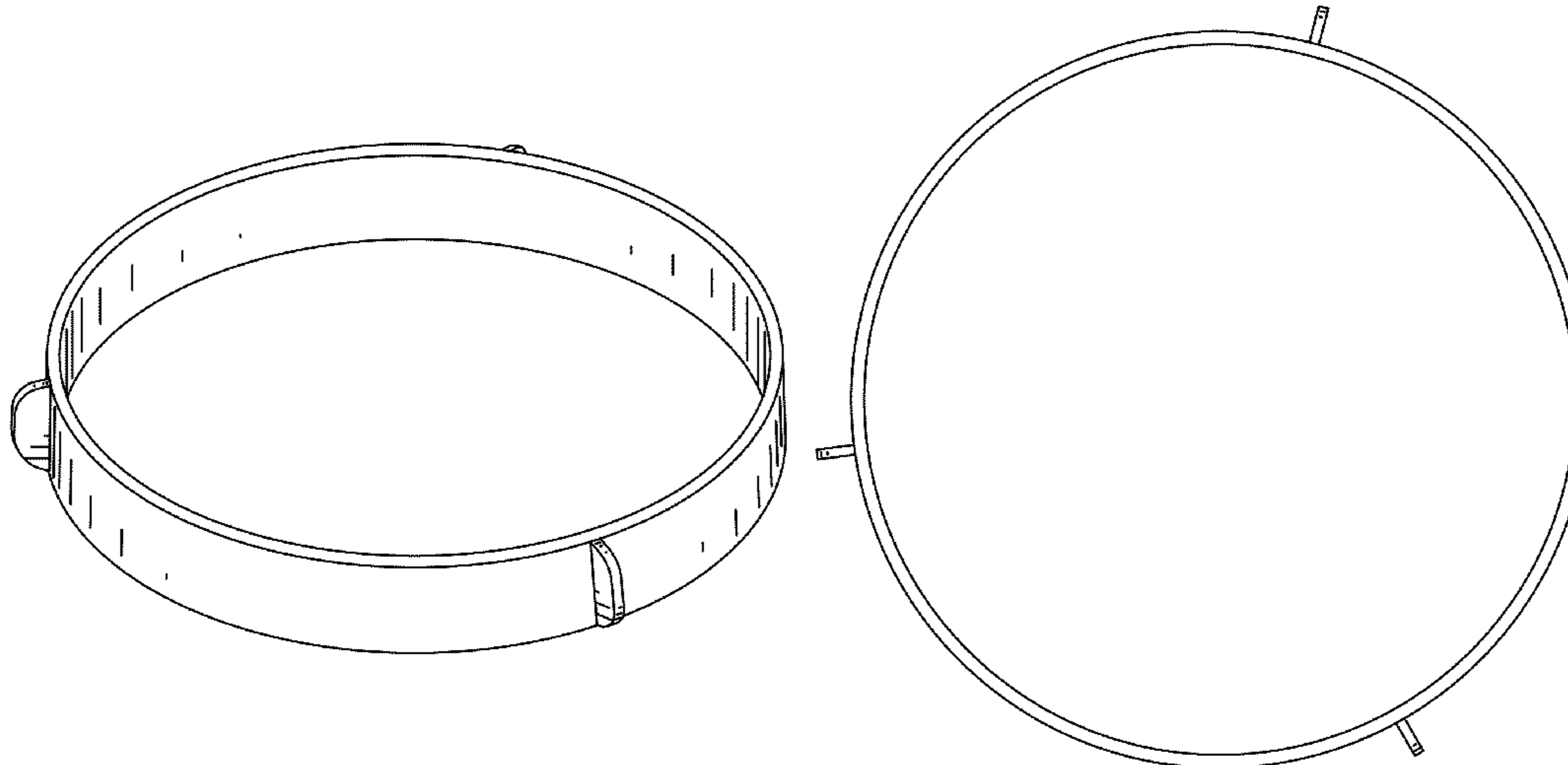
(57) **CLAIM**

The ornamental design for a vacuum cleaner filter adapter ring, as shown and described.

**DESCRIPTION**

FIG. 1 is an isometric view of a vacuum cleaner filter adapter ring showing our new design;  
FIG. 2 is a top plan view thereof, the bottom plan view being a mirror image;  
FIG. 3 is a front elevation view thereof;  
FIG. 4 is a rear elevation view thereof;  
FIG. 5 is a right side view thereof;  
FIG. 6 is a left side view thereof; and,  
FIG. 7 is an isometric view thereof, showing the filter adapter ring mounted on an exemplary filter.  
In the drawings, broken lines indicate environment structure or boundaries that form no part of the claimed design.

**1 Claim, 4 Drawing Sheets**



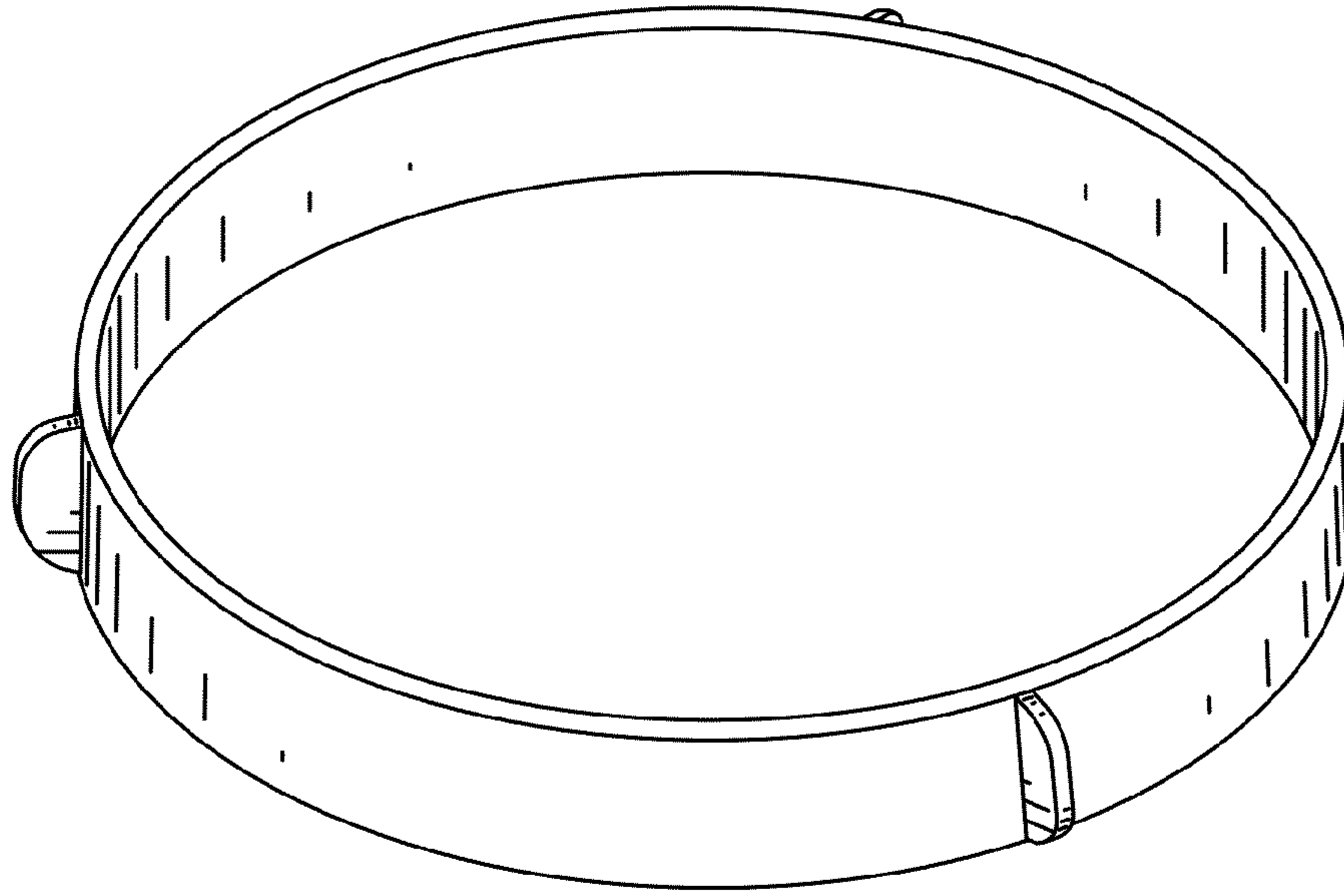


FIG. 1

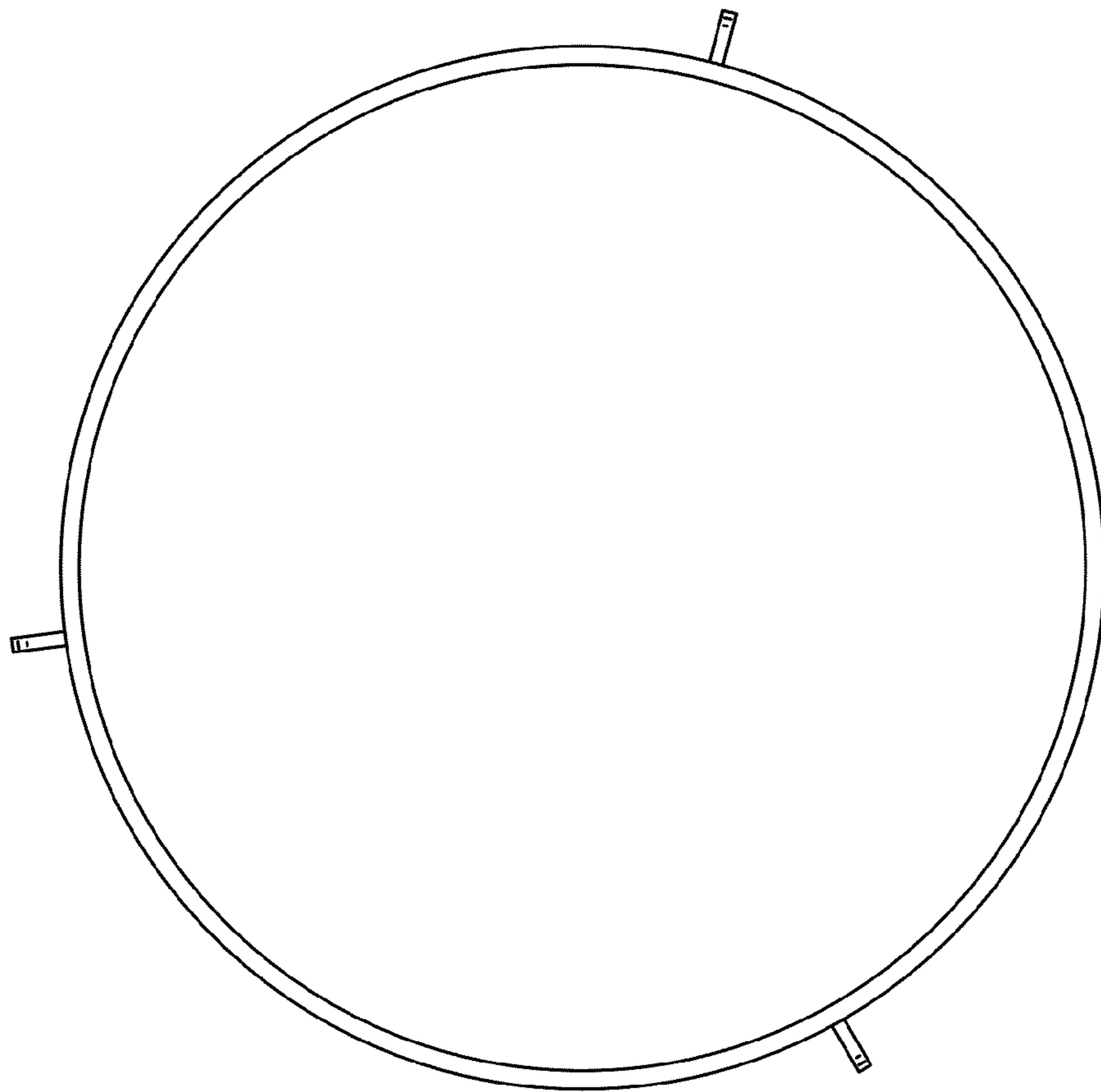


FIG. 2

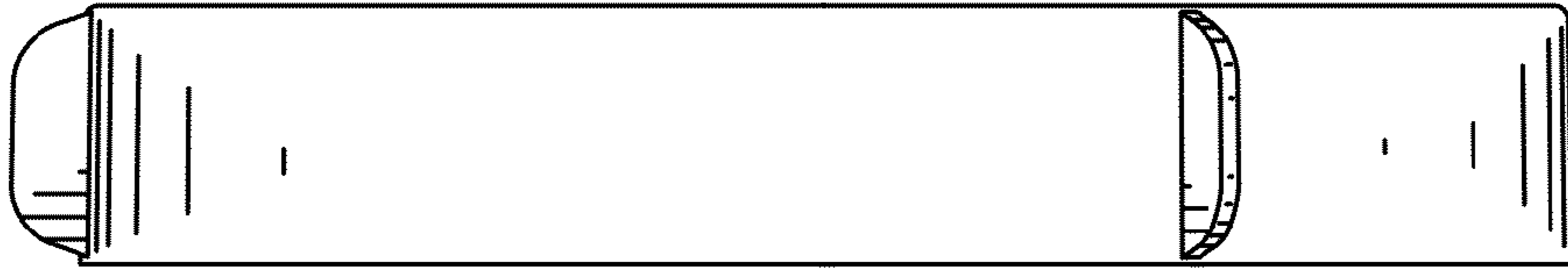


FIG. 3

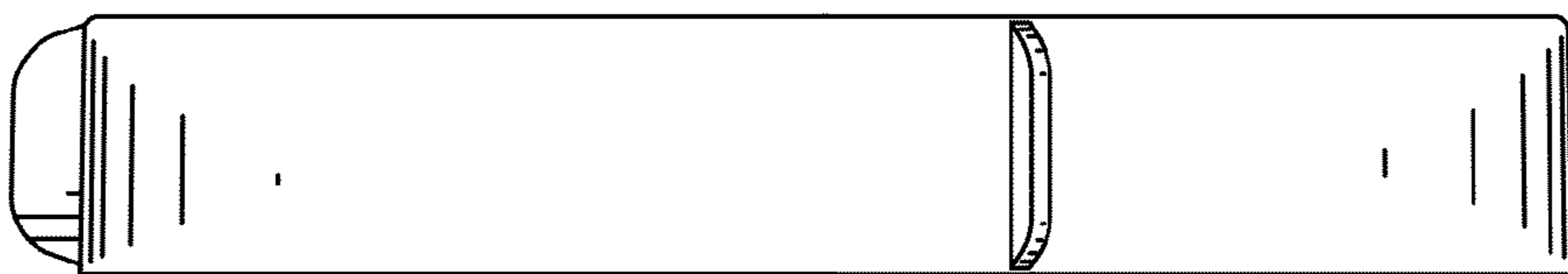


FIG. 4

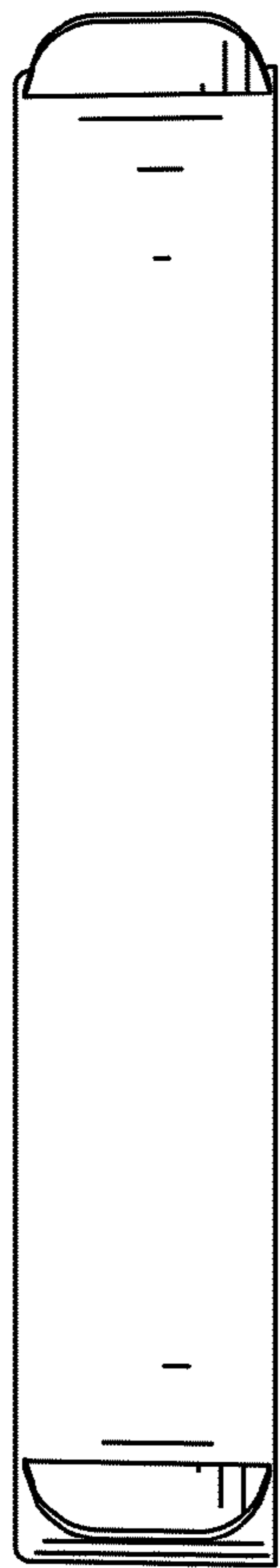


FIG. 5

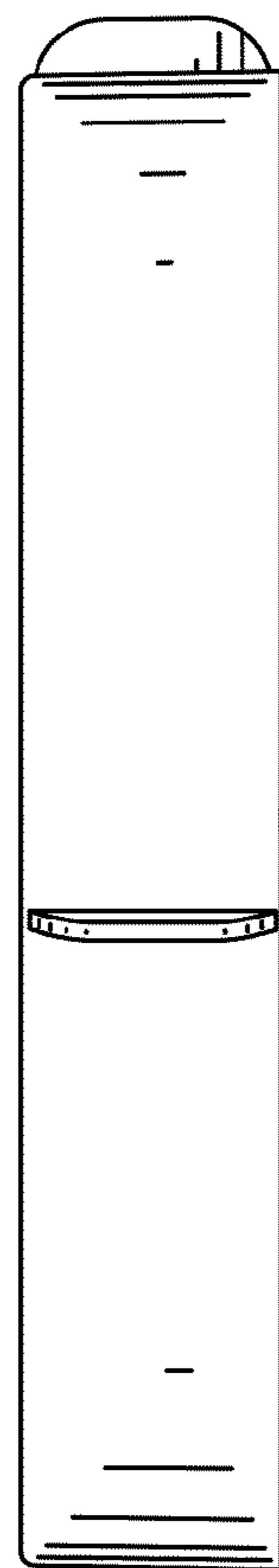


FIG. 6

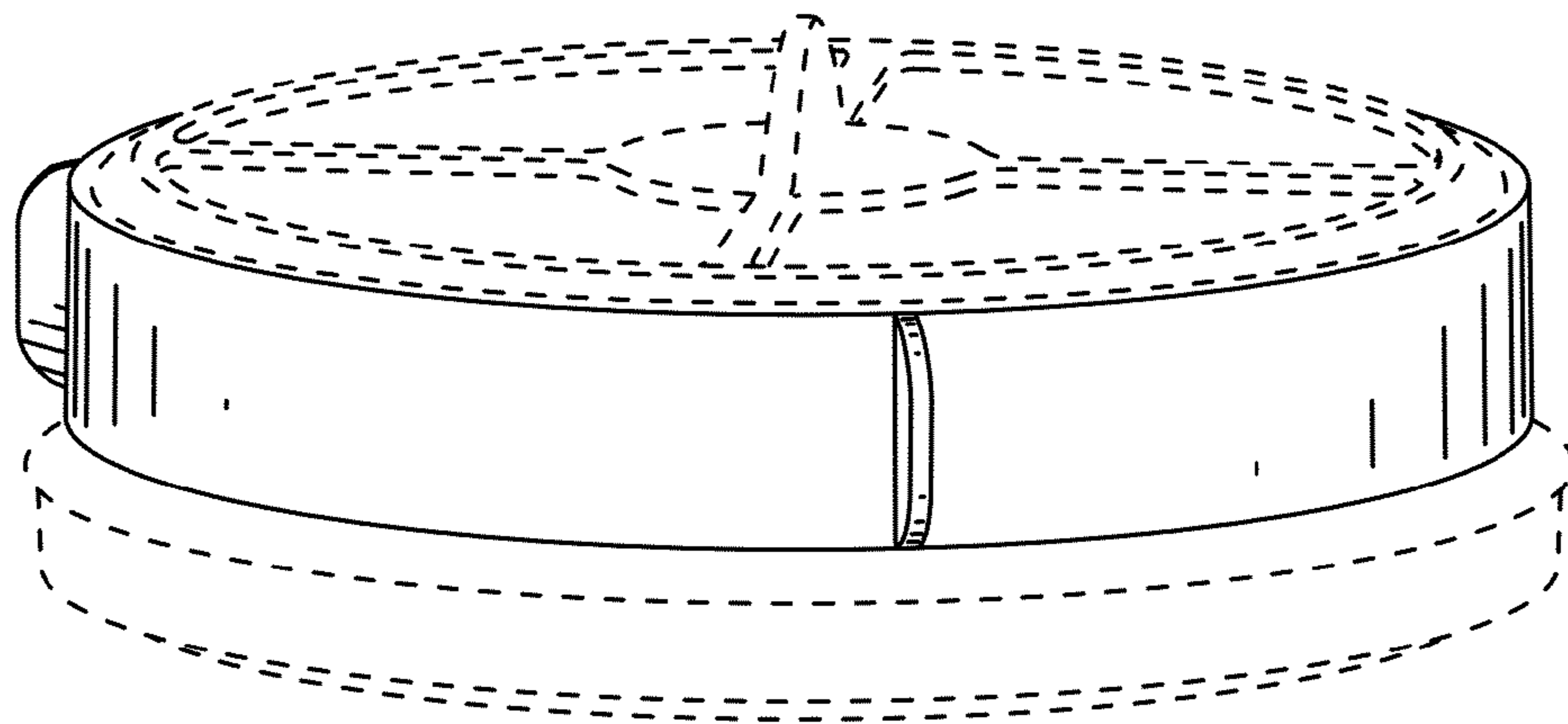


FIG. 7