



US00D703890S

(12) **United States Design Patent**
Shin et al.

(10) **Patent No.:** **US D703,890 S**
(45) **Date of Patent:** **** Apr. 29, 2014**

(54) **VACUUM CLEANER**

(71) Applicant: **Samsung Electronics Co., Ltd.**,
Suwon-si (KR)

(72) Inventors: **Dong-Ju Shin**, Seoul (KR); **Dong-Won Chun**, Paju-Si (KR)

(73) Assignee: **Samsung Electronics Co., Ltd.**,
Suwon-si (KR)

(**) Term: **14 Years**

(21) Appl. No.: **29/455,333**

(22) Filed: **May 20, 2013**

(30) **Foreign Application Priority Data**

Nov. 26, 2012 (KR) 30-2012-0056372

(51) **LOC (10) Cl.** **15-05**

(52) **U.S. Cl.**
USPC **D32/18**

(58) **Field of Classification Search**

USPC D32/17-18, 31, 34, 22; 15/344, 329,
15/335, 327.1, 327.2, 410-411, 246.2,
15/409, 300.1, 347, 352-353, 327.5, 338,
15/412, 351; 55/DIG. 2, 429

See application file for complete search history.

(56) **References Cited**

U.S. PATENT DOCUMENTS

D237,036	S	*	10/1975	Neceda	D32/31
D264,011	S	*	4/1982	Genoa	D32/31
D275,333	S	*	8/1984	Williams et al.	D32/31
4,945,604	A	*	8/1990	Miner et al.	15/344
D315,043	S	*	2/1991	Hayden	D32/34
5,109,568	A	*	5/1992	Rohn et al.	15/410
D333,023	S	*	2/1993	Herron, Jr.	D32/34
D346,248	S	*	4/1994	Patterson	D32/31
D348,548	S	*	7/1994	Pino	D32/18

D381,479	S	*	7/1997	Worwag	D32/22
D420,477	S	*	2/2000	Saunders et al.	D32/34
6,105,206	A	*	8/2000	Tokumaru et al.	15/344
6,195,835	B1	*	3/2001	Song et al.	15/327.1
6,332,239	B1	*	12/2001	Dubos et al.	15/353
6,553,613	B2	*	4/2003	Onishi et al.	15/351
D488,271	S	*	4/2004	Schroter	D32/31
6,766,558	B1	*	7/2004	Matsumoto et al.	15/353
D494,332	S	*	8/2004	Schroter	D32/34
7,000,288	B2	*	2/2006	Nighy	15/327.1
7,003,846	B2	*	2/2006	Holtz	15/344
D528,253	S	*	9/2006	Wu et al.	D32/18
D561,415	S	*	2/2008	Tavano	D32/34
D595,017	S	*	6/2009	Baxter et al.	D32/18
D608,961	S	*	1/2010	Reese et al.	D32/18
D611,666	S	*	3/2010	Umeda	D32/31
7,836,547	B2	*	11/2010	Cordes et al.	15/410

(Continued)

Primary Examiner — Ruth McInroy

(74) *Attorney, Agent, or Firm* — NSIP Law

(57) **CLAIM**

The ornamental design for a vacuum cleaner, as shown and described.

DESCRIPTION

FIG. 1 is a perspective view of a vacuum cleaner, showing our new design;

FIG. 2 is a front view thereof;

FIG. 3 is a rear view thereof;

FIG. 4 is a left-side view thereof;

FIG. 5 is a right-side view thereof;

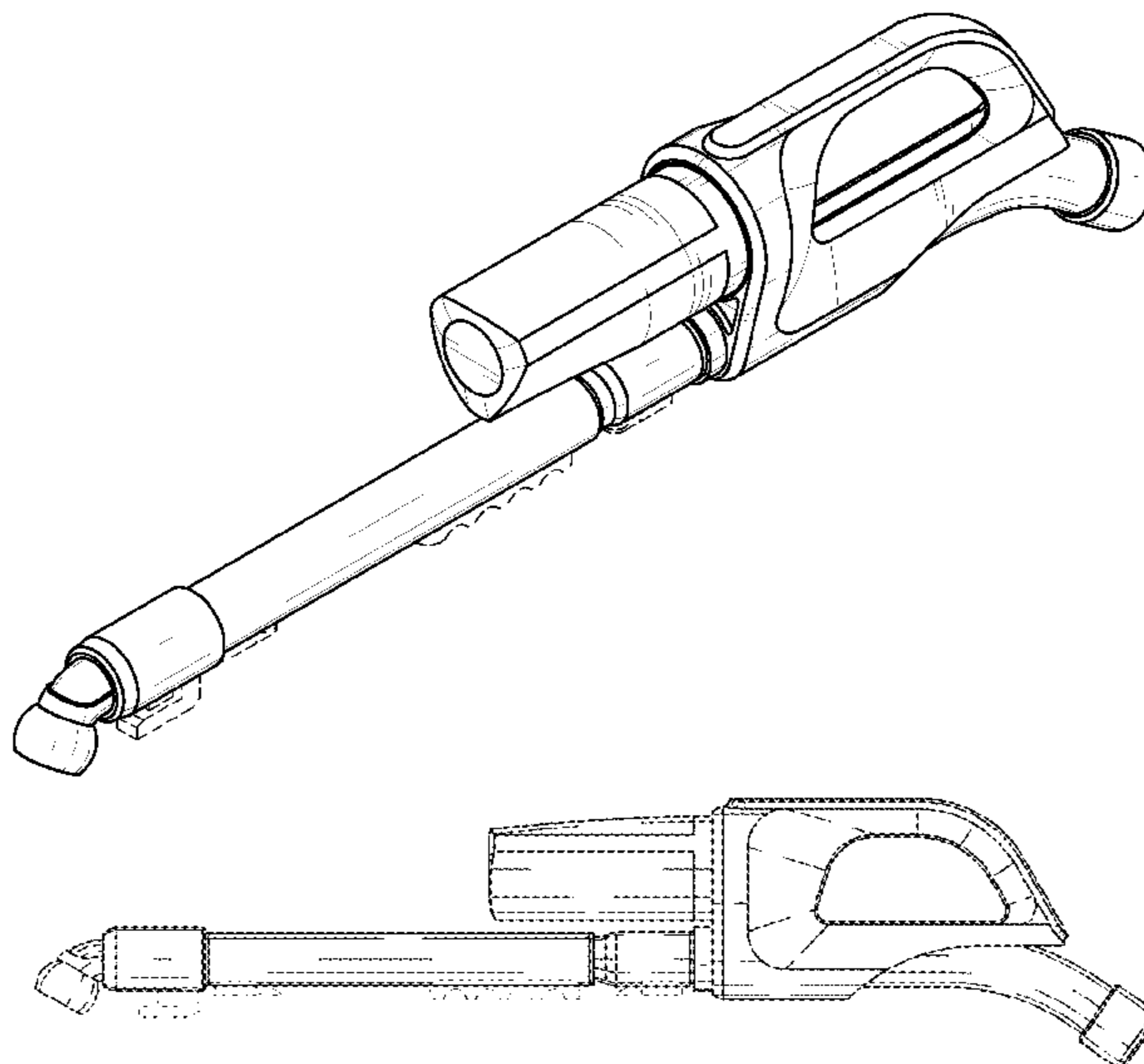
FIG. 6 is a top plan view thereof;

FIG. 7 is a bottom plan view thereof; and,

FIG. 8 is a right-side view of the vacuum cleaner of FIG. 1, in which broken lines illustrating portions of the vacuum cleaner are for environmental purposes only and form no part of the claimed design.

The broken lines are for environmental purposes only and form no part of the claimed design.

1 Claim, 5 Drawing Sheets



(56)

References Cited

U.S. PATENT DOCUMENTS

D635,728 S *	4/2011	Fjellman	D32/22	D669,237 S *	10/2012	Kim et al.	D32/31
D641,112 S *	7/2011	Lee	D32/34	D682,496 S *	5/2013	Bassett et al.	D32/22
D641,113 S *	7/2011	Choi et al.	D32/34	2003/0159228 A1 *	8/2003	Lee et al.	15/246.2
D641,114 S *	7/2011	Choi et al.	D32/34	2004/0123415 A1 *	7/2004	Mimura et al.	15/327.1
D642,755 S *	8/2011	Fjellman	D32/34	2004/0261211 A1 *	12/2004	Overvaag et al.	15/327.1
D644,384 S *	8/2011	Santiago et al.	D32/34	2010/0005611 A1 *	1/2010	Hong et al.	15/300.1
D664,726 S *	7/2012	McCarthy et al.	D32/18	2011/0016657 A1 *	1/2011	Chudleigh	15/327.1
					2013/0031740 A1 *	2/2013	Laliberte et al.	15/246.2
					2013/0036573 A1 *	2/2013	Ventress et al.	15/344

* cited by examiner

FIG. 1

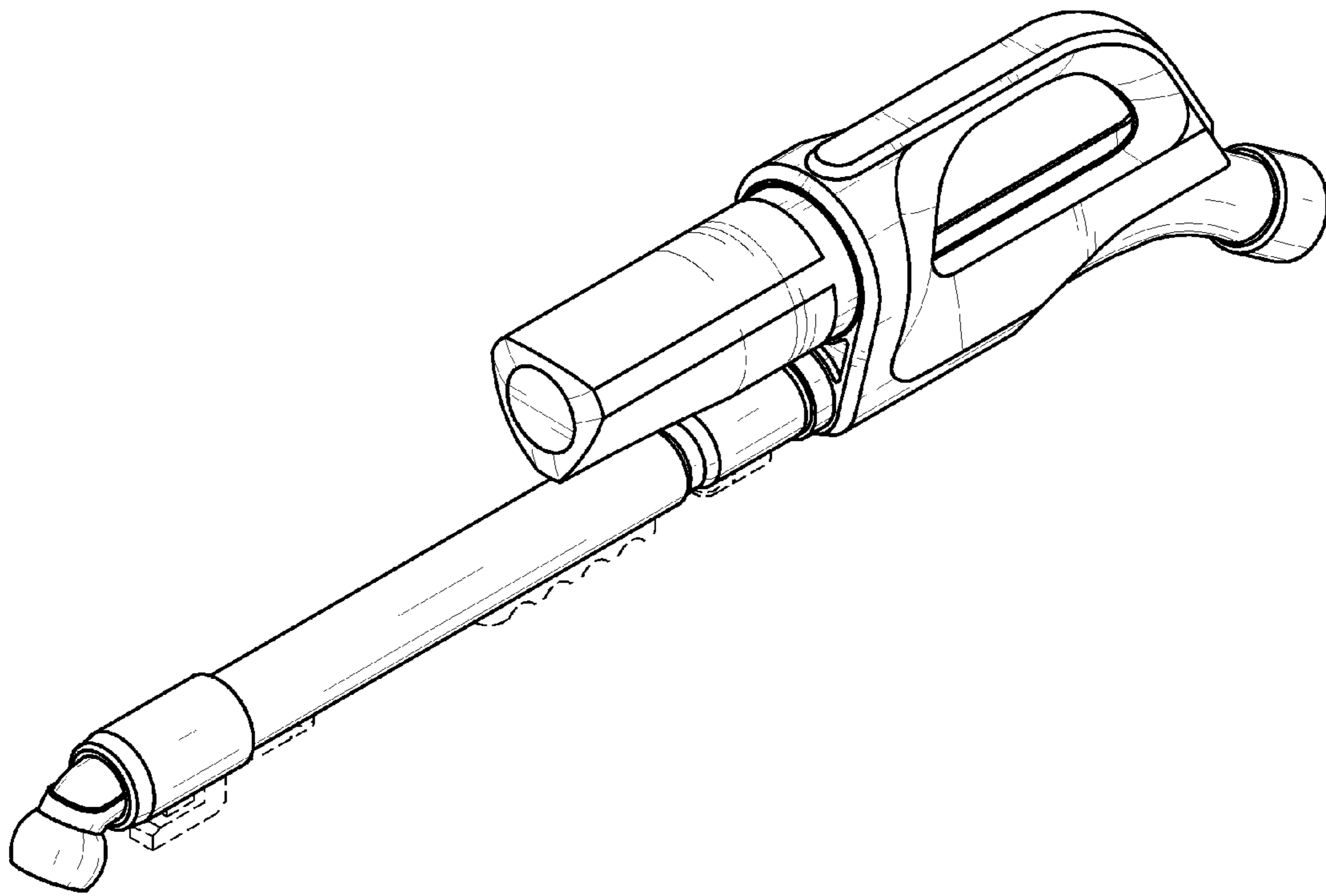


FIG. 2

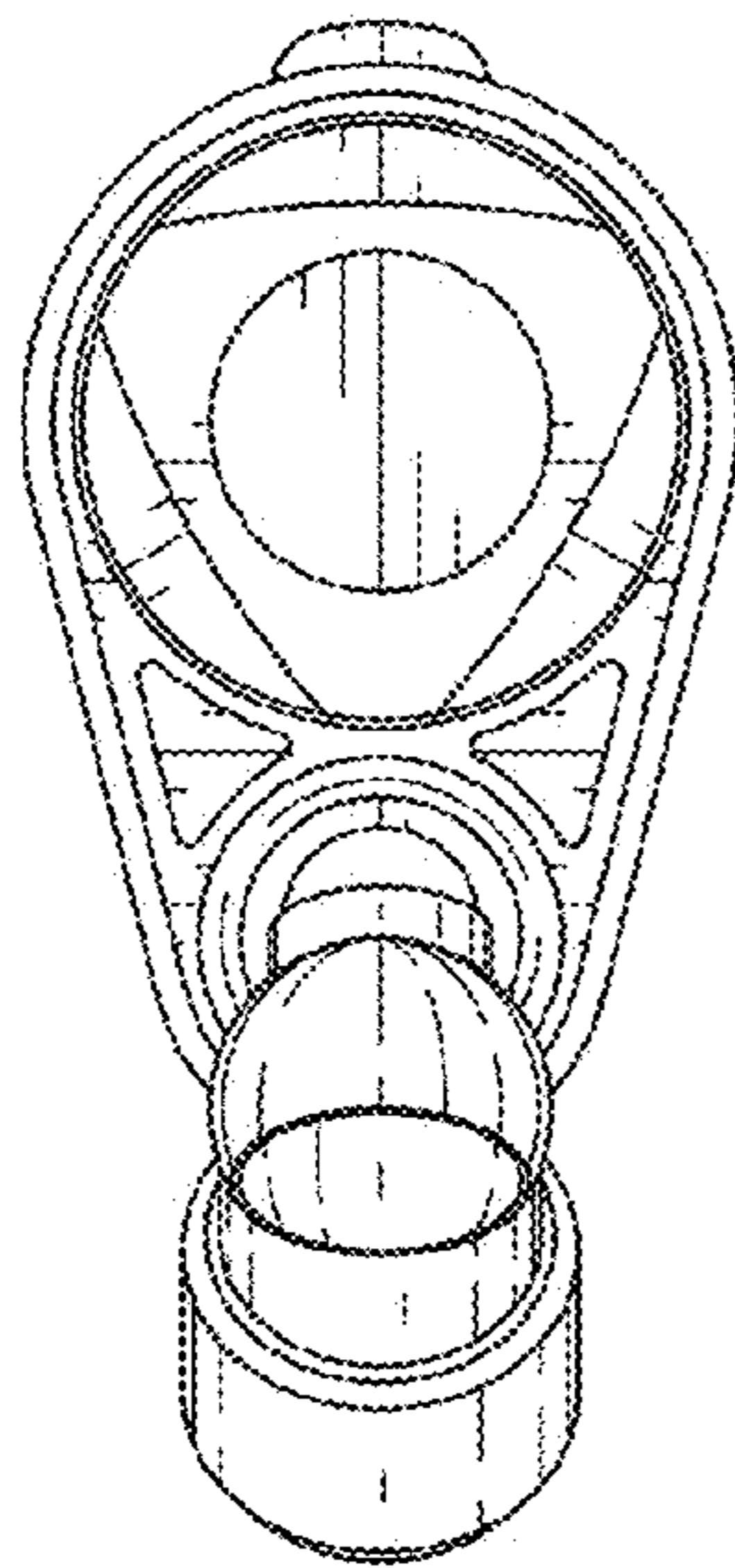


FIG. 3

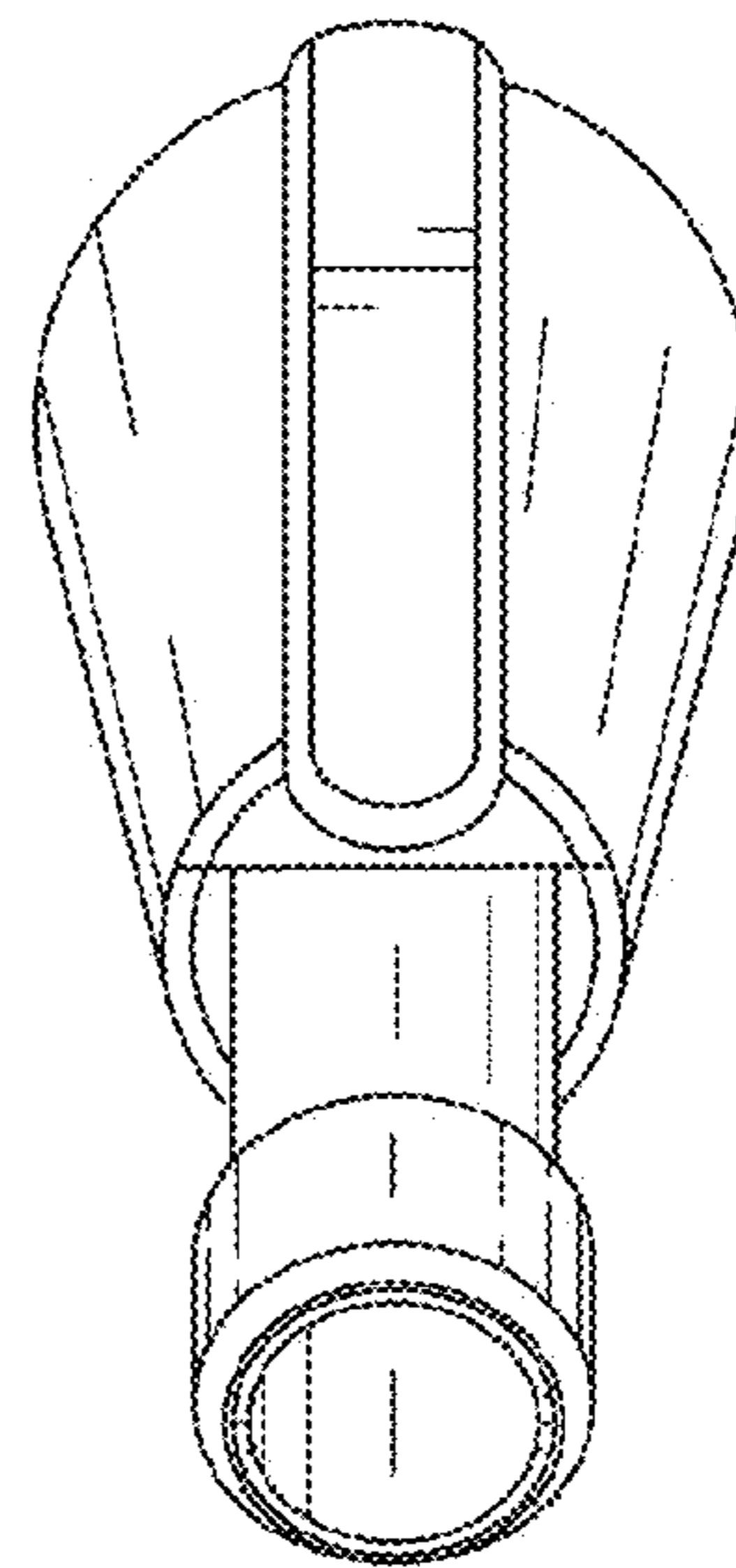


FIG. 4

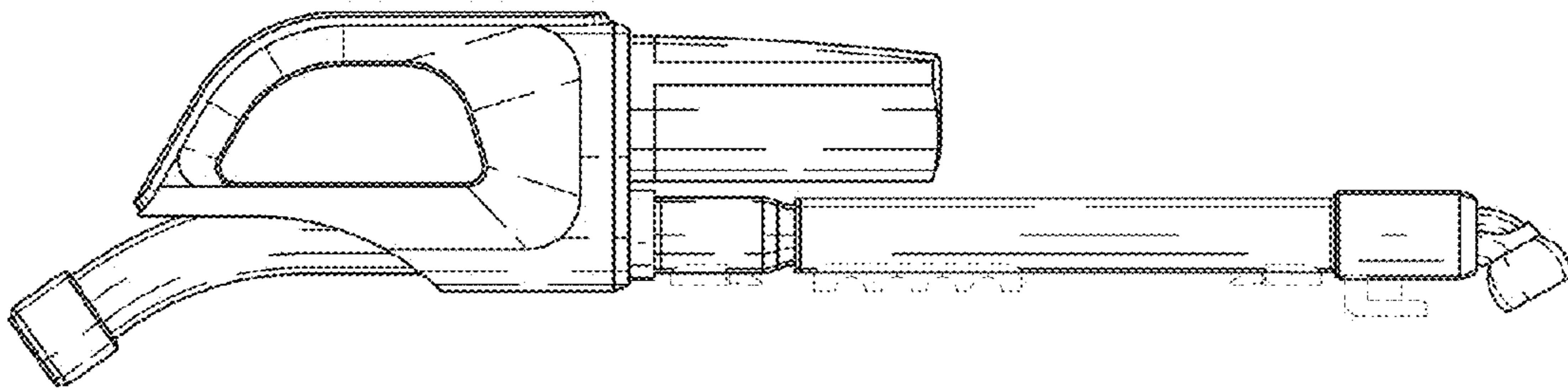


FIG. 5

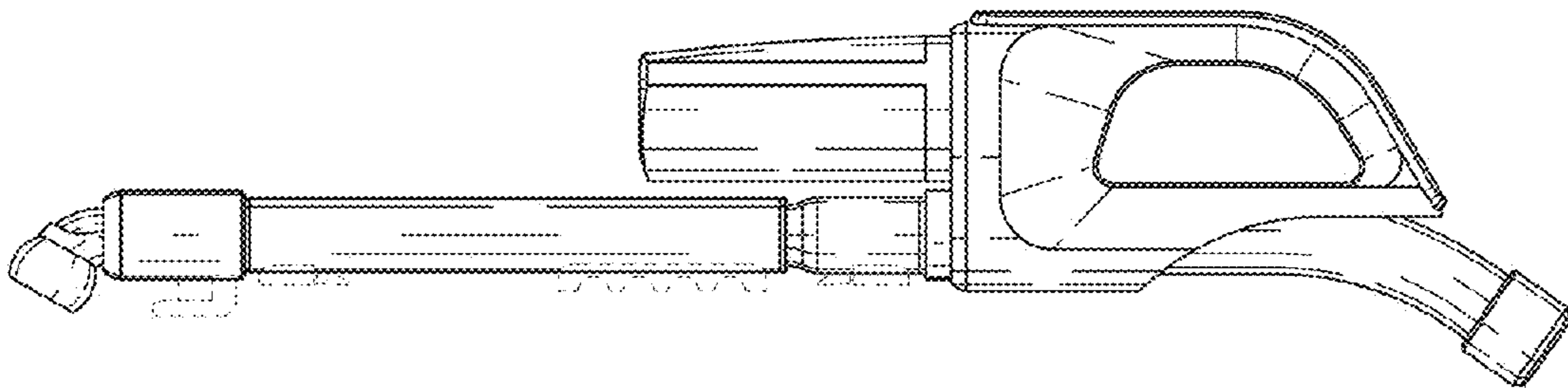


FIG. 6

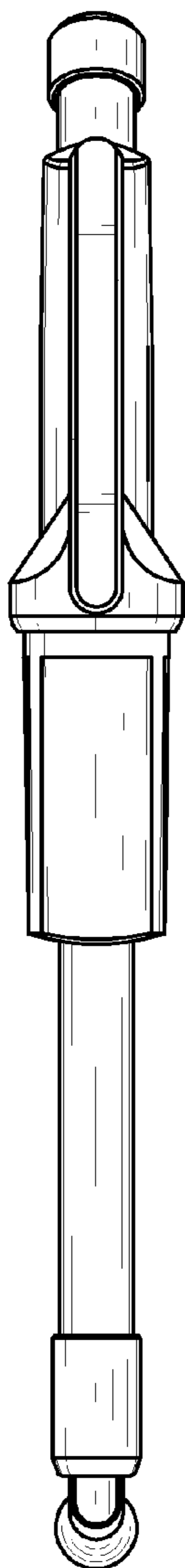


FIG. 7

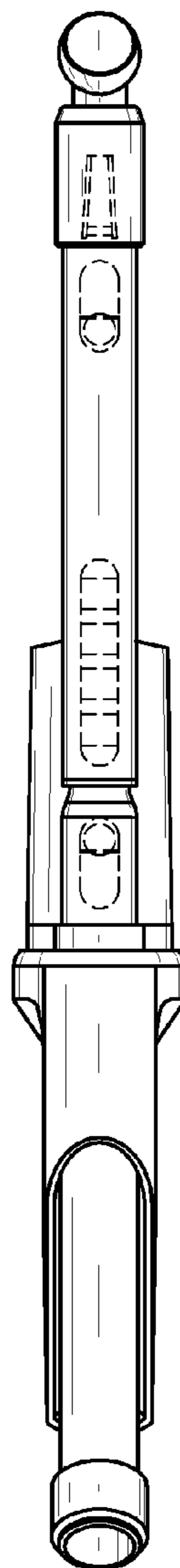


FIG. 8

