



US00D703888S

(12) **United States Design Patent**
Kahan et al.

(10) **Patent No.:** **US D703,888 S**

(45) **Date of Patent:** **** Apr. 29, 2014**

(54) **PRESSURE WASHER**

(75) Inventors: **Stewart Kahan**, Dorval (CA); **David Perreault**, Laval (CA)

(73) Assignee: **Powerwerx Corporation**, Mississauga, Ontario (CA)

(**) Term: **14 Years**

(21) Appl. No.: **29/424,152**

(22) Filed: **Jun. 7, 2012**

(30) **Foreign Application Priority Data**

Apr. 20, 2012 (CA) 145359

(51) **LOC (10) Cl.** **15-05**

(52) **U.S. Cl.**
USPC **D32/16**

(58) **Field of Classification Search**
USPC D32/1, 4, 15-16, 25, 30; D23/225;
D34/12-27; 239/146-149, 722;
280/47.315; 15/320-321, 340.2
See application file for complete search history.

(56) **References Cited**

U.S. PATENT DOCUMENTS

D200,401 S * 2/1965 Olson D34/18
D363,589 S * 10/1995 Lafleur et al. D34/21

6,695,235 B2 * 2/2004 Faller et al. 239/722
6,750,556 B2 * 6/2004 Sodemann et al. 290/1 A
D580,517 S * 11/2008 Mattson et al. D23/225
D597,173 S * 7/2009 Mulgrew et al. D23/225
7,604,246 B2 * 10/2009 Sodemann et al. 280/47.315
D633,682 S * 3/2011 Schmid D34/26

* cited by examiner

Primary Examiner — T. Chase Nelson

Assistant Examiner — Kathleen M Sims

(74) *Attorney, Agent, or Firm* — Blakely Sokoloff Taylor & Zafman

(57) **CLAIM**

The ornamental design for a pressure washer, as shown and described.

DESCRIPTION

FIG. 1 is a perspective front, top and first side view illustrating the new design.

FIG. 2 is a top plan view thereof.

FIG. 3 is a second side elevation view thereof.

FIG. 4 is a first side elevation view thereof.

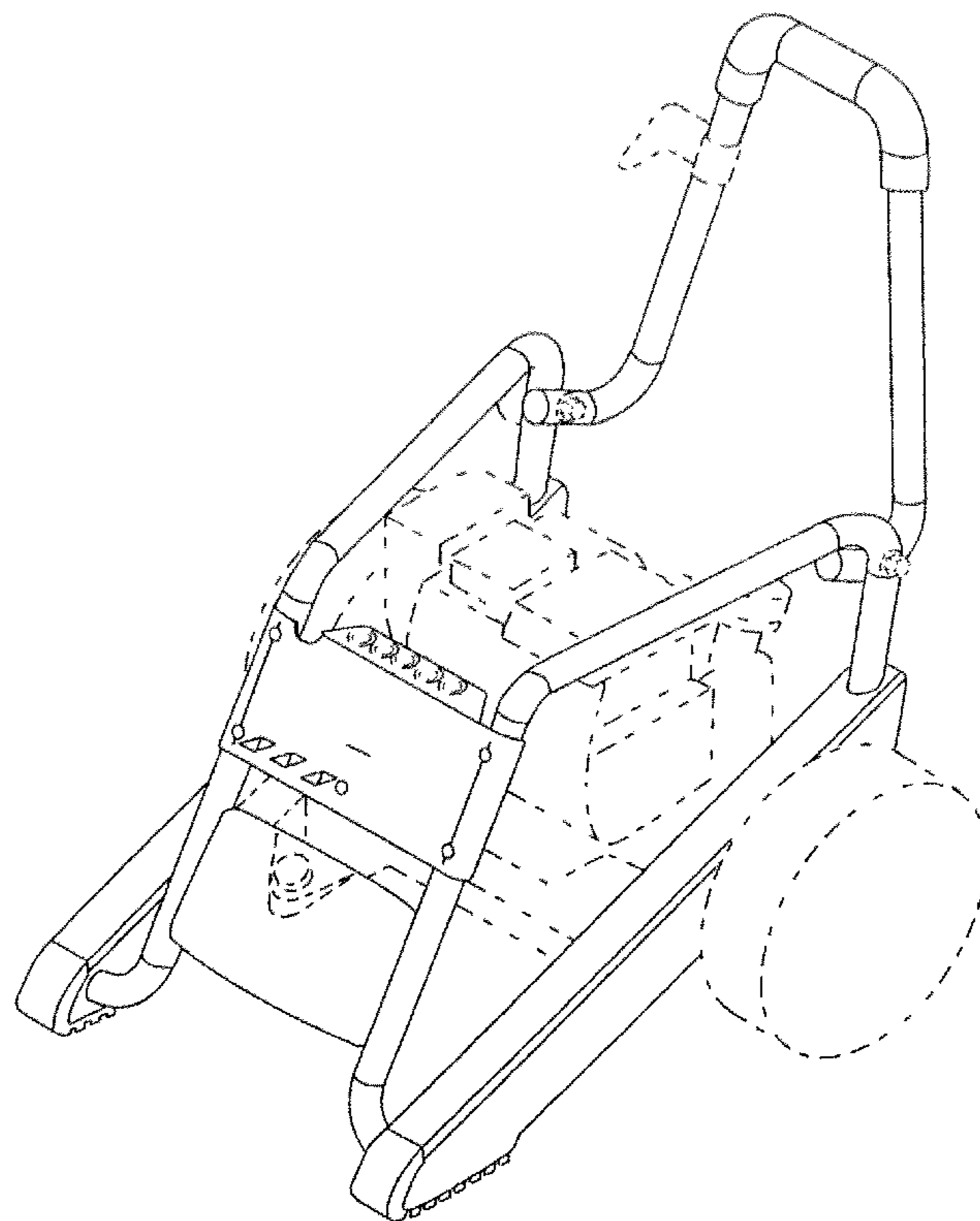
FIG. 5 is a rear elevation view thereof.

FIG. 6 is a bottom plan view thereof; and,

FIG. 7 is a front elevation view thereof.

The broken line showing of details in FIGS. 1-7 is included for the purpose of showing environmental portions of the pressure washer and forms no part of the claimed design.

1 Claim, 7 Drawing Sheets



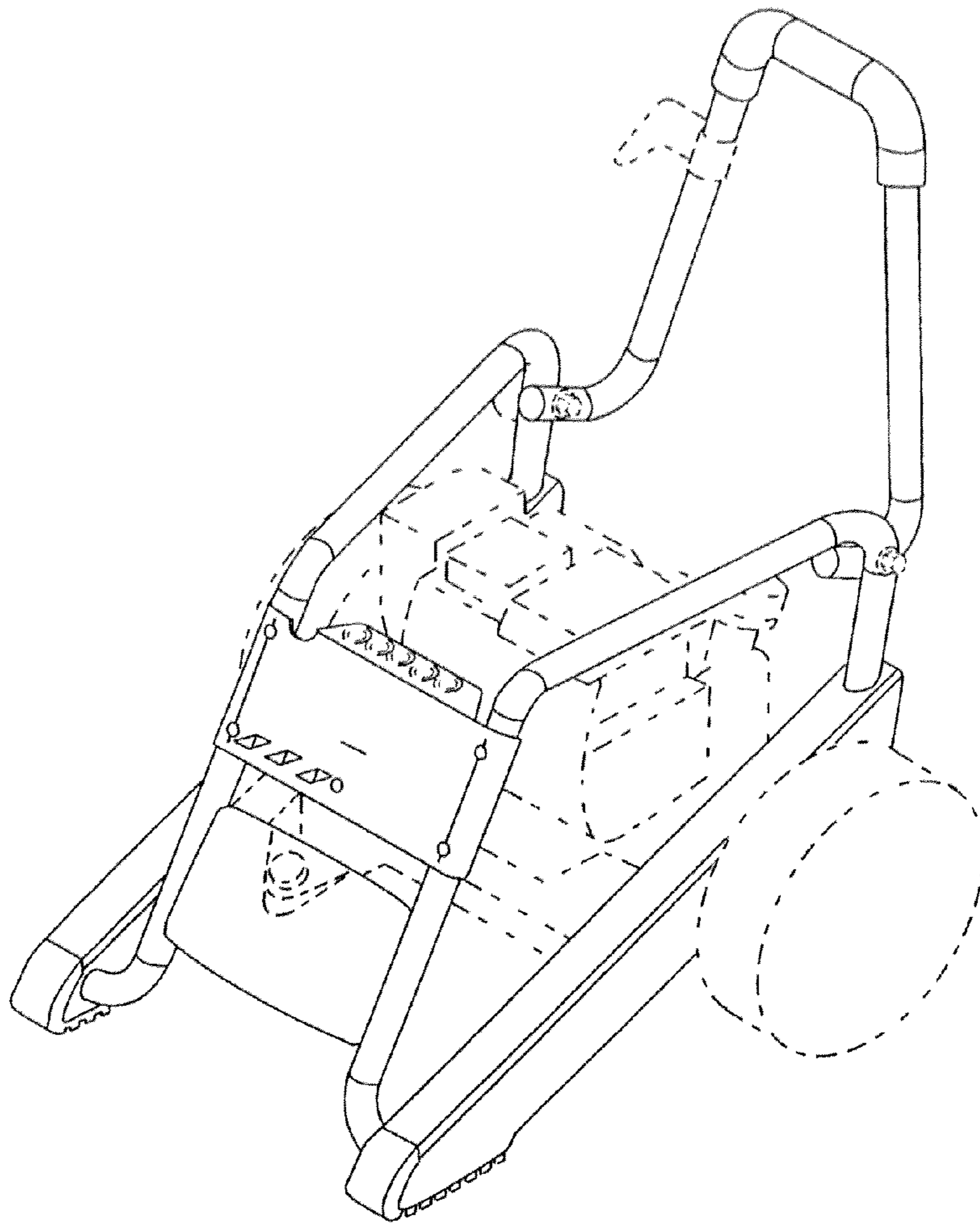


FIG. 1

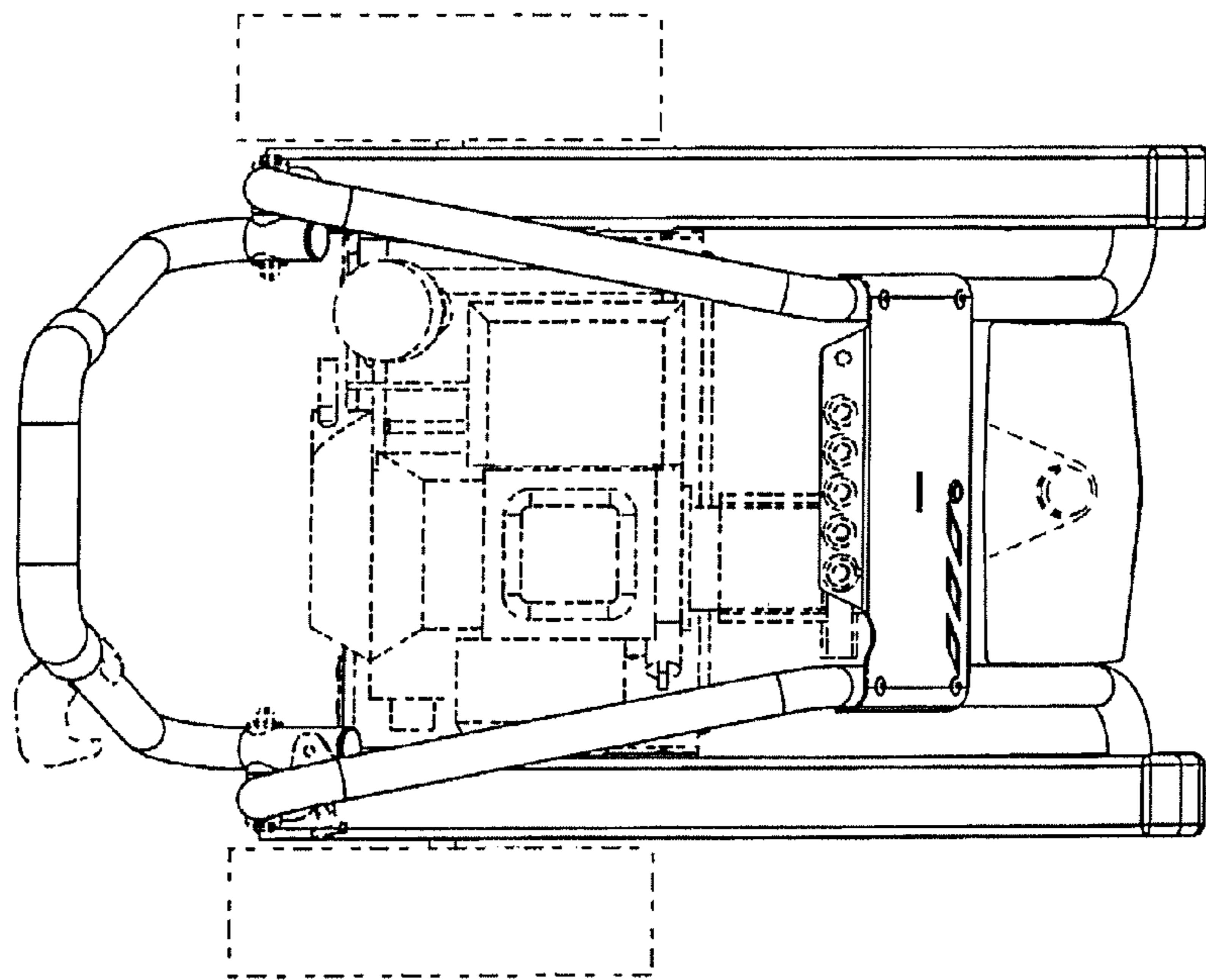


FIG. 2

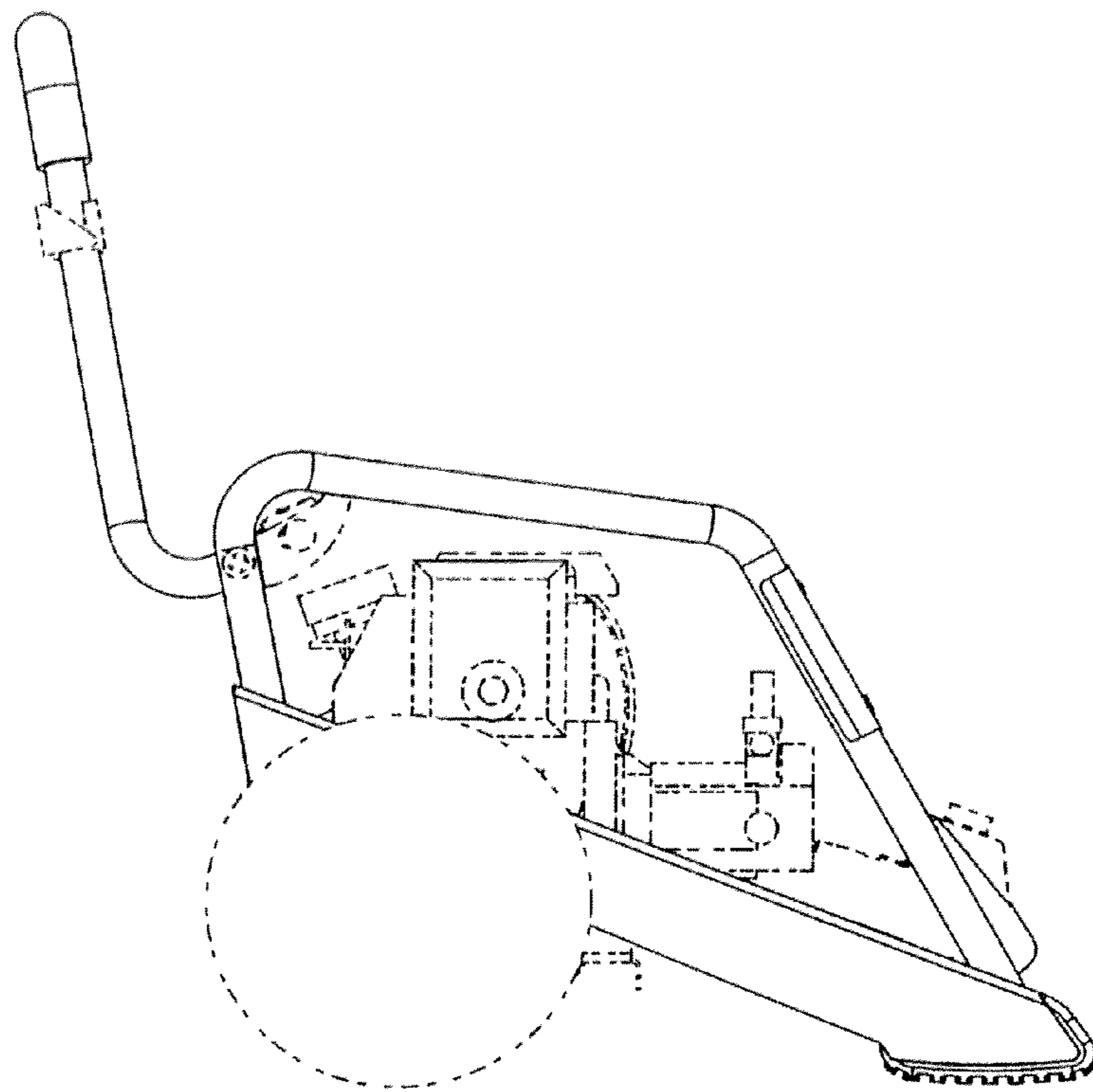


FIG. 3

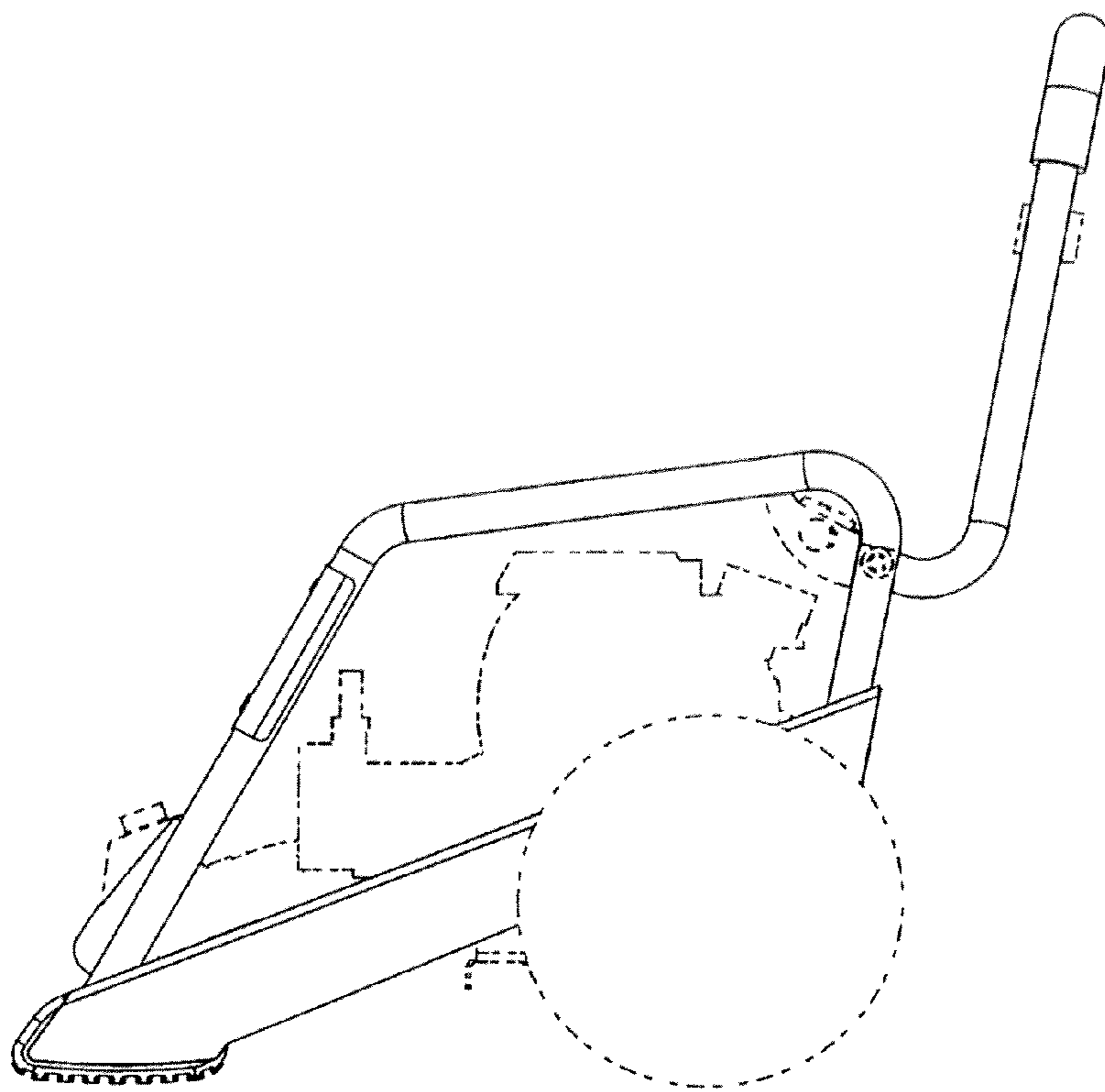


FIG. 4

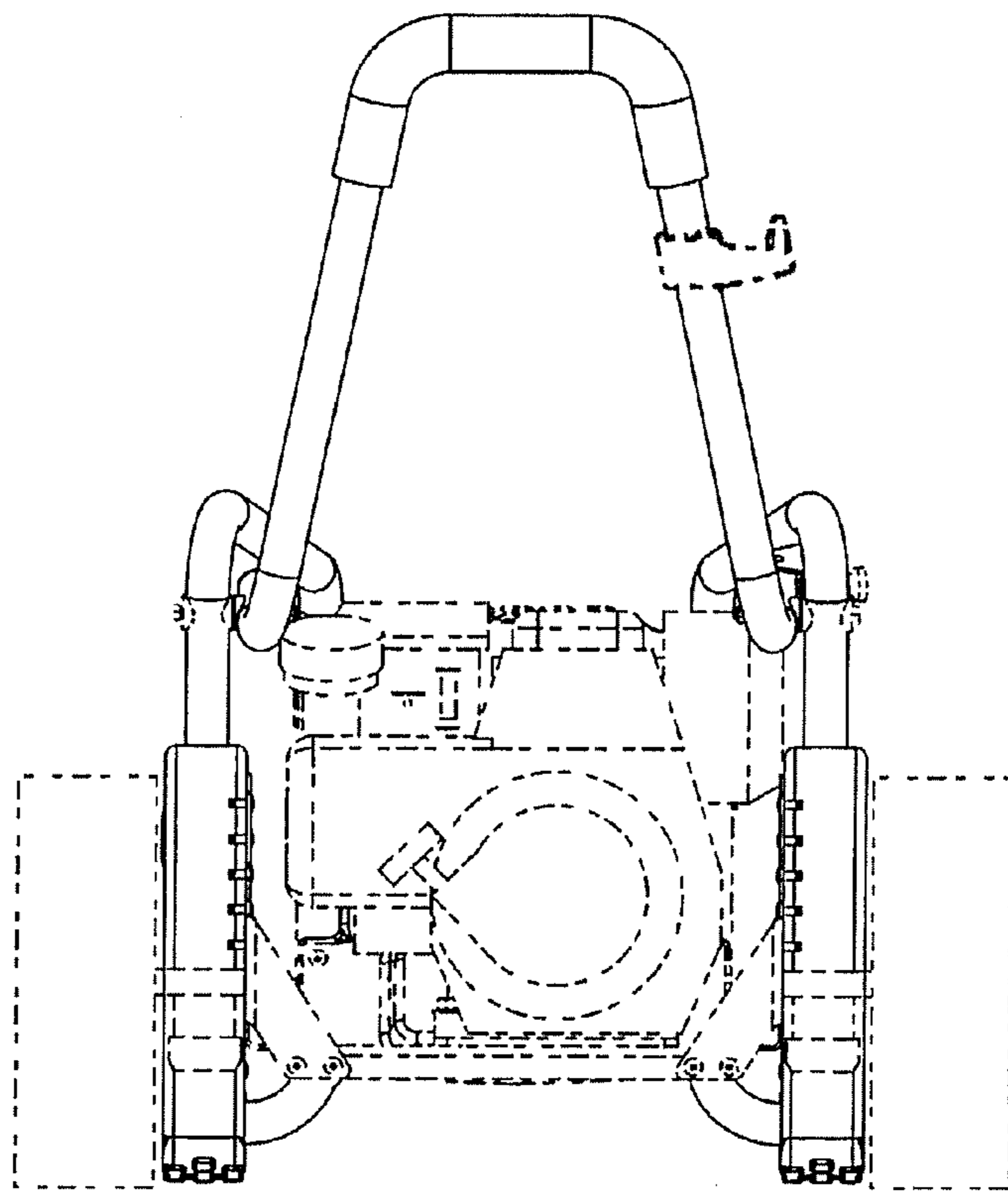


FIG. 5

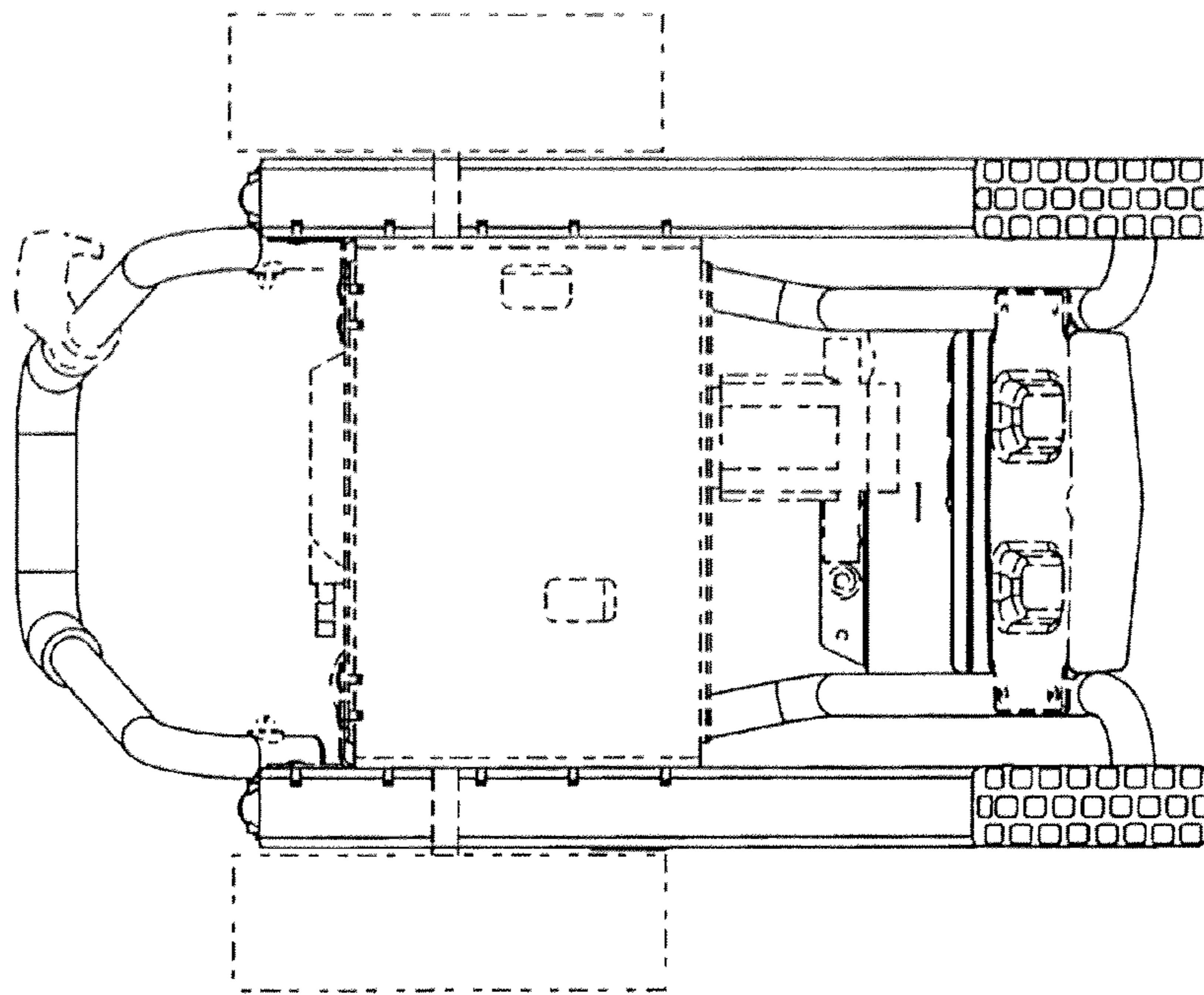


FIG. 6

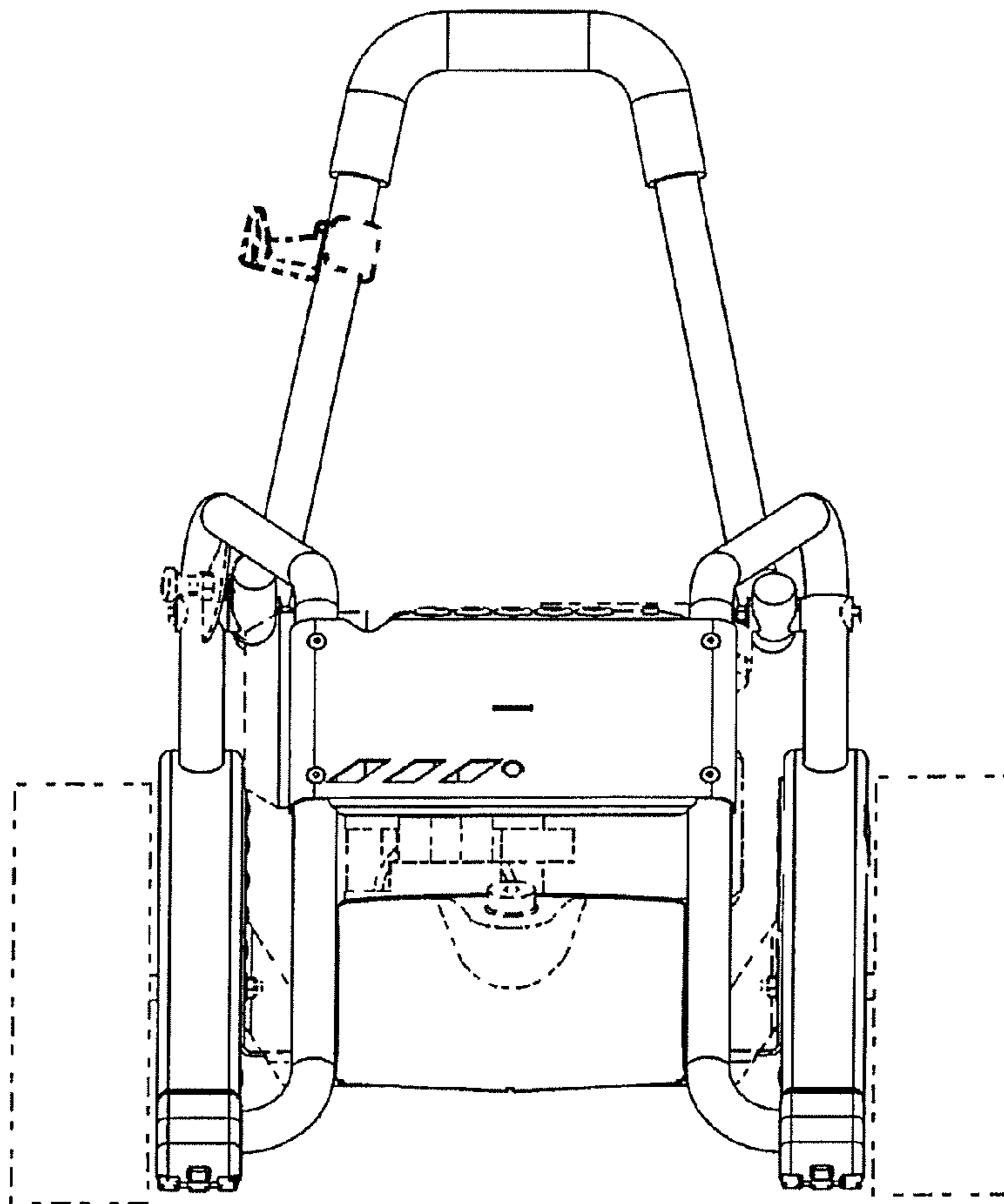


FIG. 7

UNITED STATES PATENT AND TRADEMARK OFFICE
CERTIFICATE OF CORRECTION

PATENT NO. : D703,888 S
APPLICATION NO. : 29/424152
DATED : April 29, 2014
INVENTOR(S) : Stewart Kahan et al.

Page 1 of 1

It is certified that error appears in the above-identified patent and that said Letters Patent is hereby corrected as shown below:

On the Title Page, in Item (73), under Assignee at line 1, please delete "Powerwerx Corporation" and insert --Powerplay Corporation--.

Signed and Sealed this
Thirteenth Day of October, 2015



Michelle K. Lee
Director of the United States Patent and Trademark Office