



US00D703887S

(12) **United States Design Patent**
Lee et al.

(10) **Patent No.:** **US D703,887 S**
(45) **Date of Patent:** **** Apr. 29, 2014**

(54) **DRYER**

(75) Inventors: **Kyungyoung Lee**, Seoul (KR); **Kihyuk Kim**, Incheon (KR); **Byeongkook Kim**, Seoul (KR)

(73) Assignee: **LG Electronics Inc.**, Seoul (KR)

(**) Term: **14 Years**

(21) Appl. No.: **29/425,660**

(22) Filed: **Jun. 26, 2012**

(30) **Foreign Application Priority Data**

Jan. 2, 2012 (KR) 30-2012-0000097

(51) **LOC (10) Cl.** **15-05**

(52) **U.S. Cl.**
USPC **D32/8**

(58) **Field of Classification Search**
USPC D32/1, 5-6, 8, 10; 68/3 R, 5 R, 12.01,
68/12.07-12.08; 34/57-58, 523-524
See application file for complete search history.

(56) **References Cited**

U.S. PATENT DOCUMENTS

D292,629 S *	11/1987	Nagai et al.	D32/6
D360,500 S *	7/1995	Millet et al.	D32/6
D360,501 S *	7/1995	Ertz et al.	D32/6
D360,716 S *	7/1995	Ertz et al.	D32/8
5,661,914 A *	9/1997	Millet 34/601	
5,711,170 A *	1/1998	Johnson 68/3 R	
5,881,579 A *	3/1999	Ellingson 68/24	

6,508,085 B1 *	1/2003	Byrne 68/3 R	
D524,000 S *	6/2006	Kim et al. D32/6	
D527,853 S *	9/2006	Carey et al. D32/6	
D532,941 S *	11/2006	Carey et al. D32/6	
D575,464 S *	8/2008	Rossetto et al. D32/8	
D619,314 S *	7/2010	Bixby et al. D32/25	
D630,807 S *	1/2011	Song et al. D32/6	
D661,852 S *	6/2012	Song et al. D32/8	
2012/0119630 A1 *	5/2012	Najera Bernal et al. ... 312/223.1	

* cited by examiner

Primary Examiner — T. Chase Nelson

Assistant Examiner — Kathleen M Sims

(74) *Attorney, Agent, or Firm* — Morgan, Lewis & Bockius LLP

(57) **CLAIM**

The ornamental design for a dryer, as shown and described.

DESCRIPTION

FIG. 1 is a front, right side, perspective view of a dryer showing our new design;
FIG. 2 is a front view thereof;
FIG. 3 is a rear view thereof;
FIG. 4 is a left side view thereof;
FIG. 5 is a right side view thereof;
FIG. 6 is a top view thereof; and,
FIG. 7 is a bottom view thereof.

The broken line portions are included for the purpose of showing the environment and form no part of the claimed design.

1 Claim, 7 Drawing Sheets

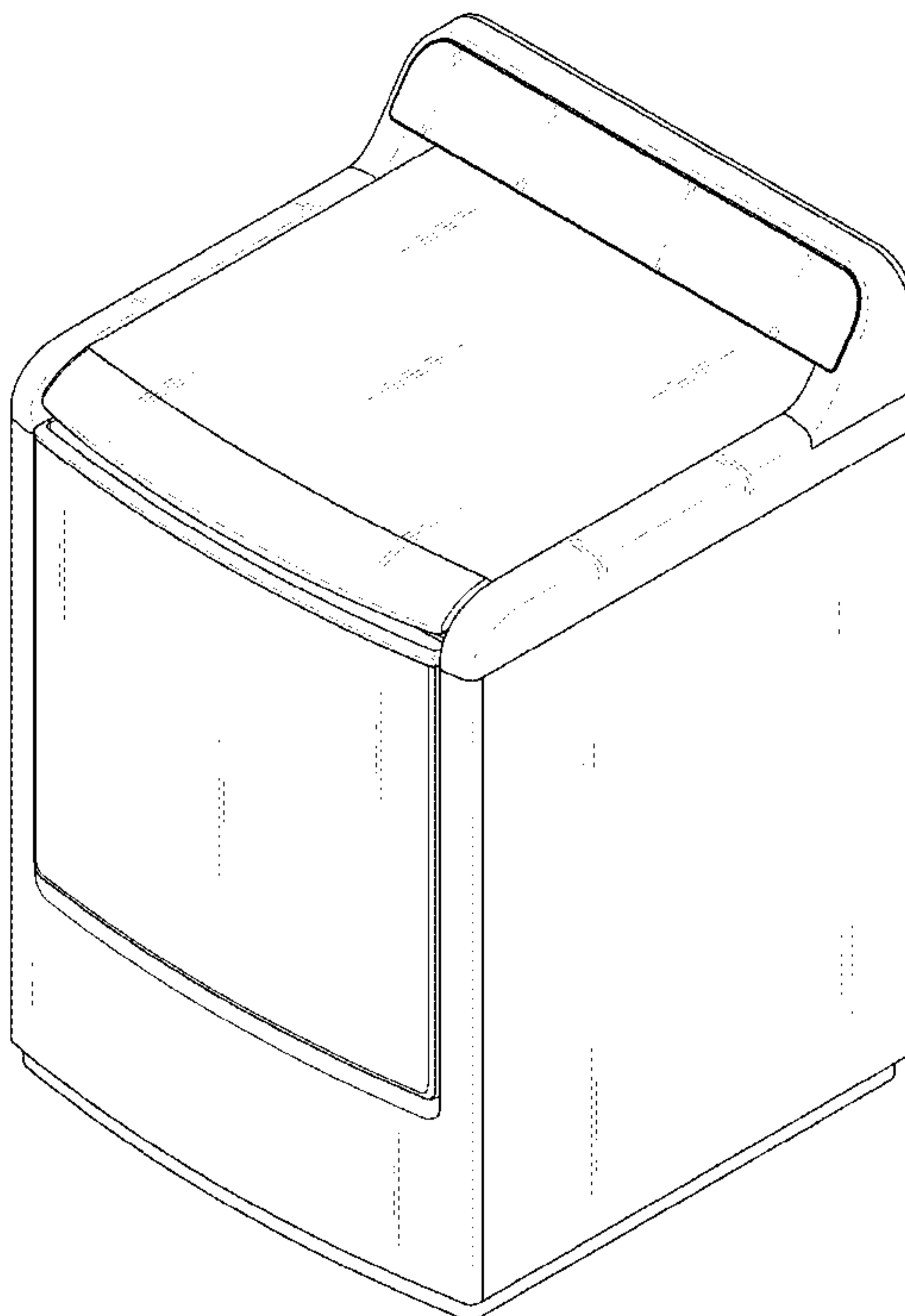


FIG. 1

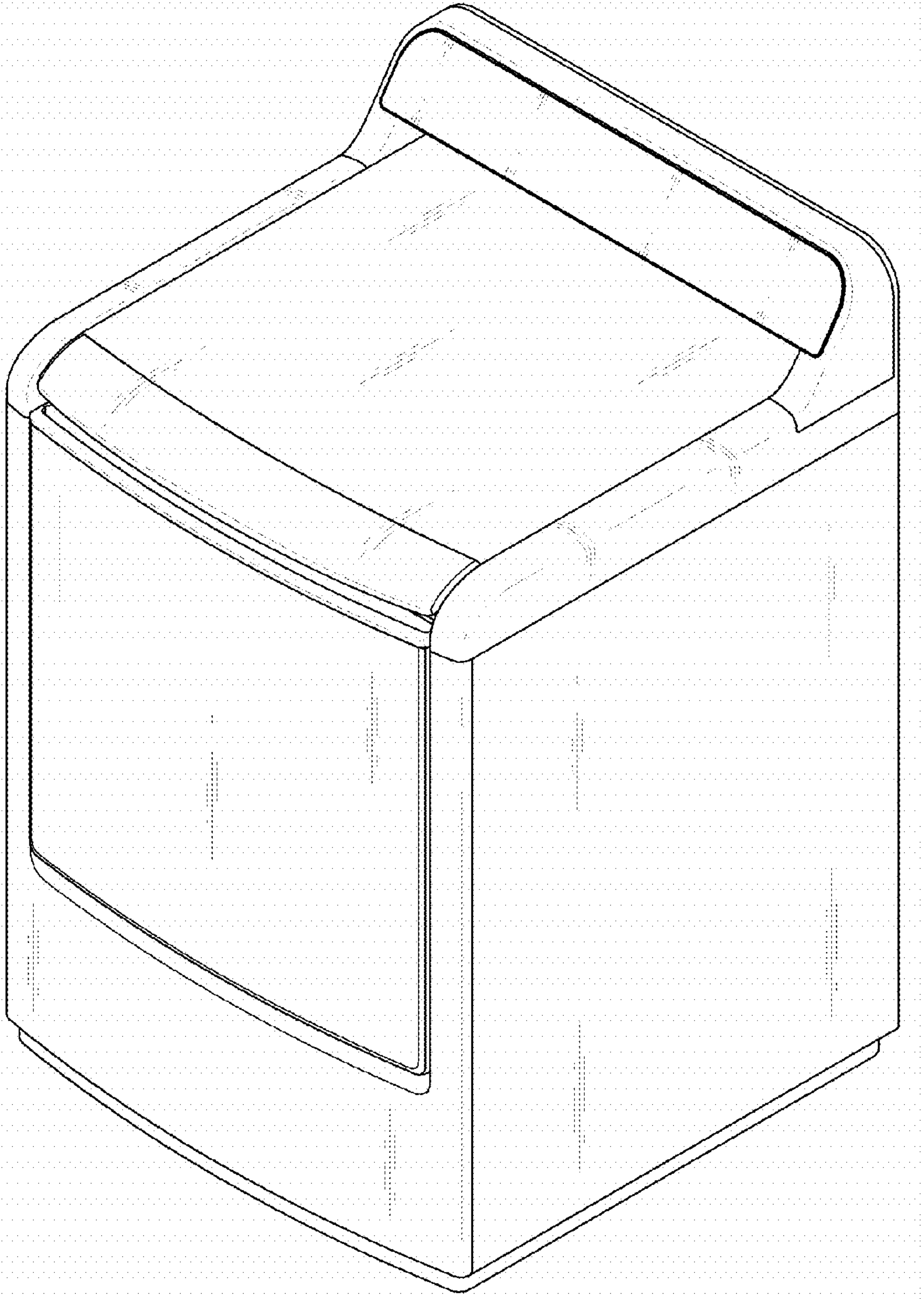


FIG. 2

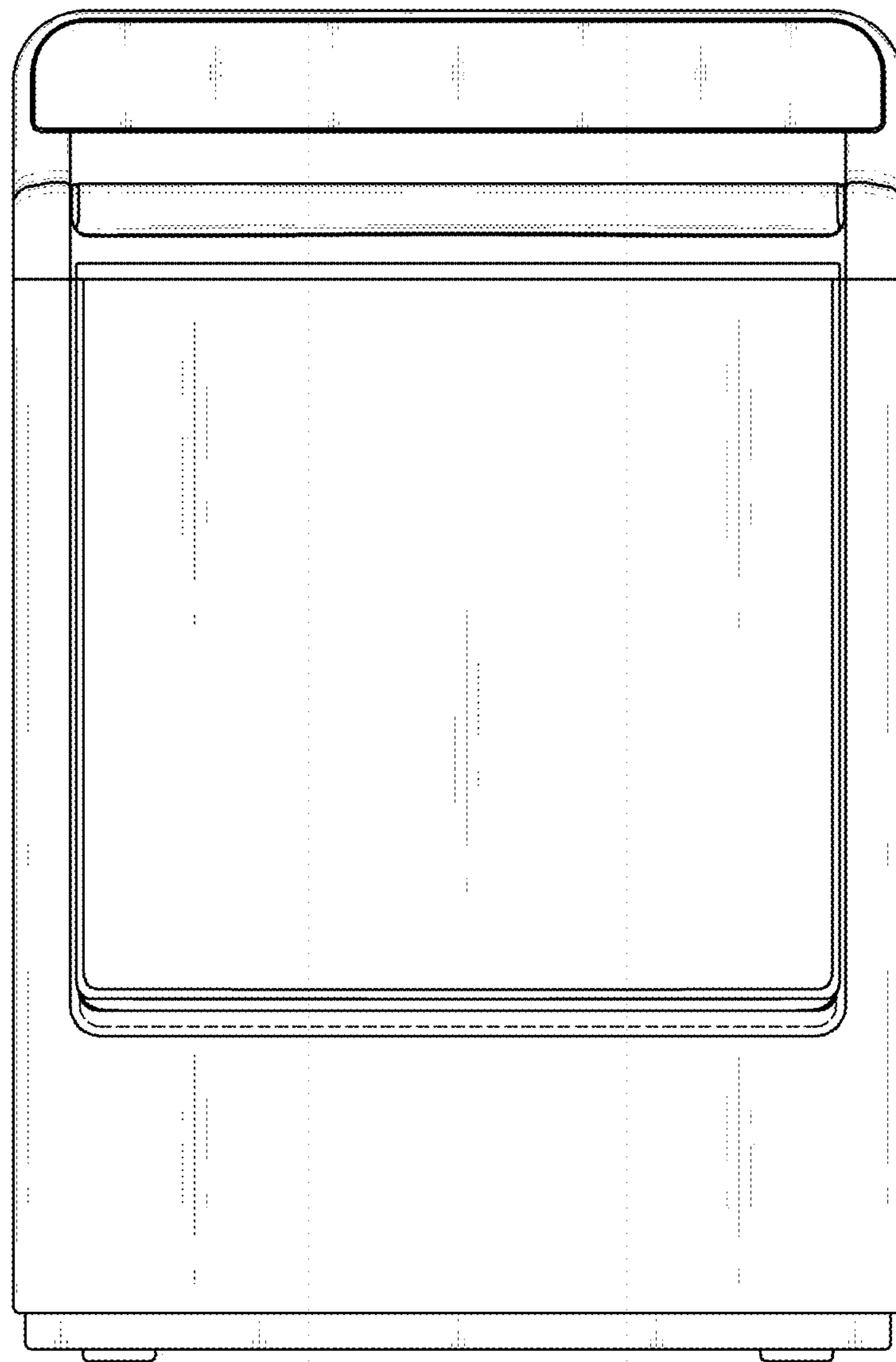


FIG. 3

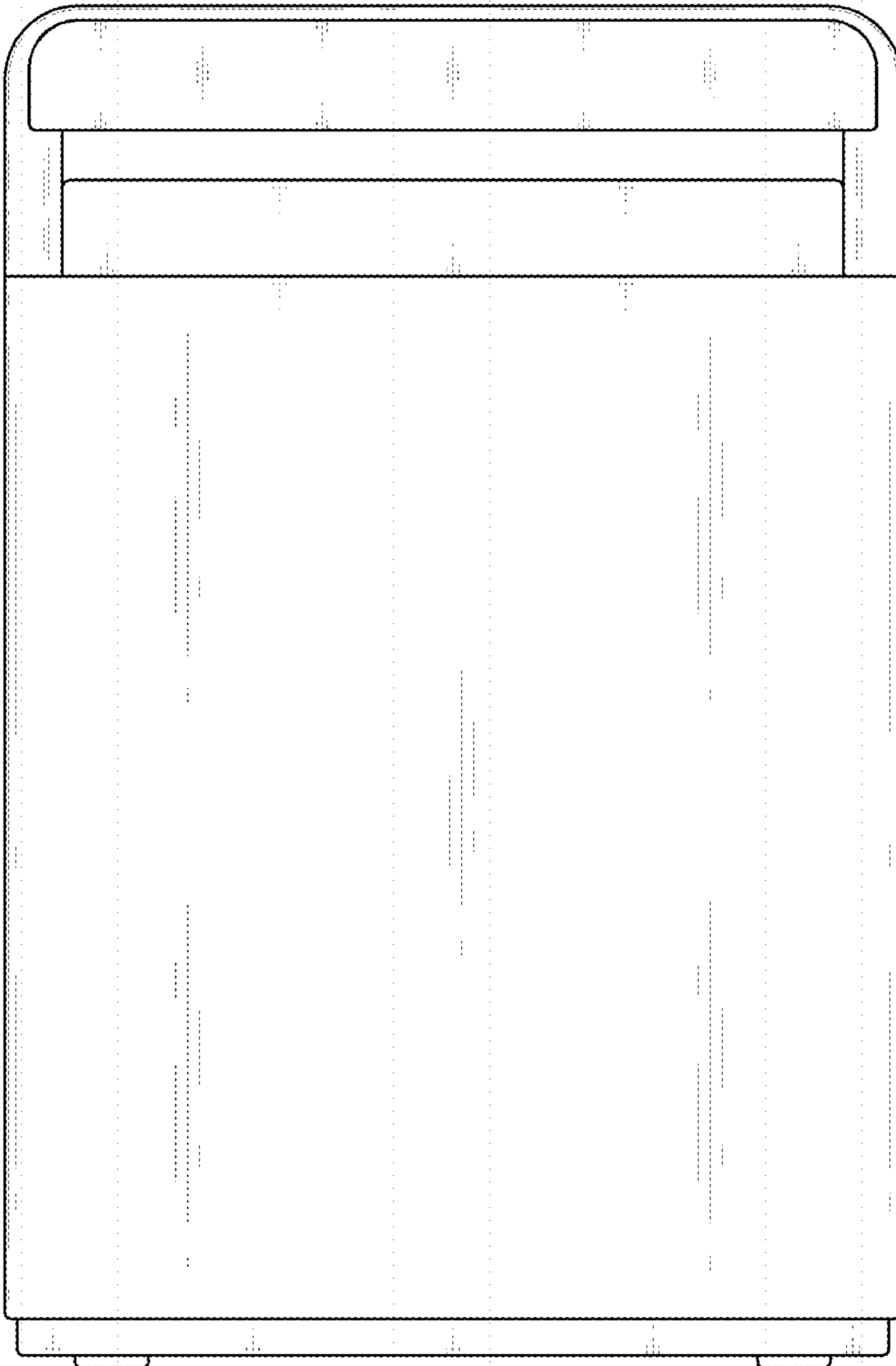


FIG. 4

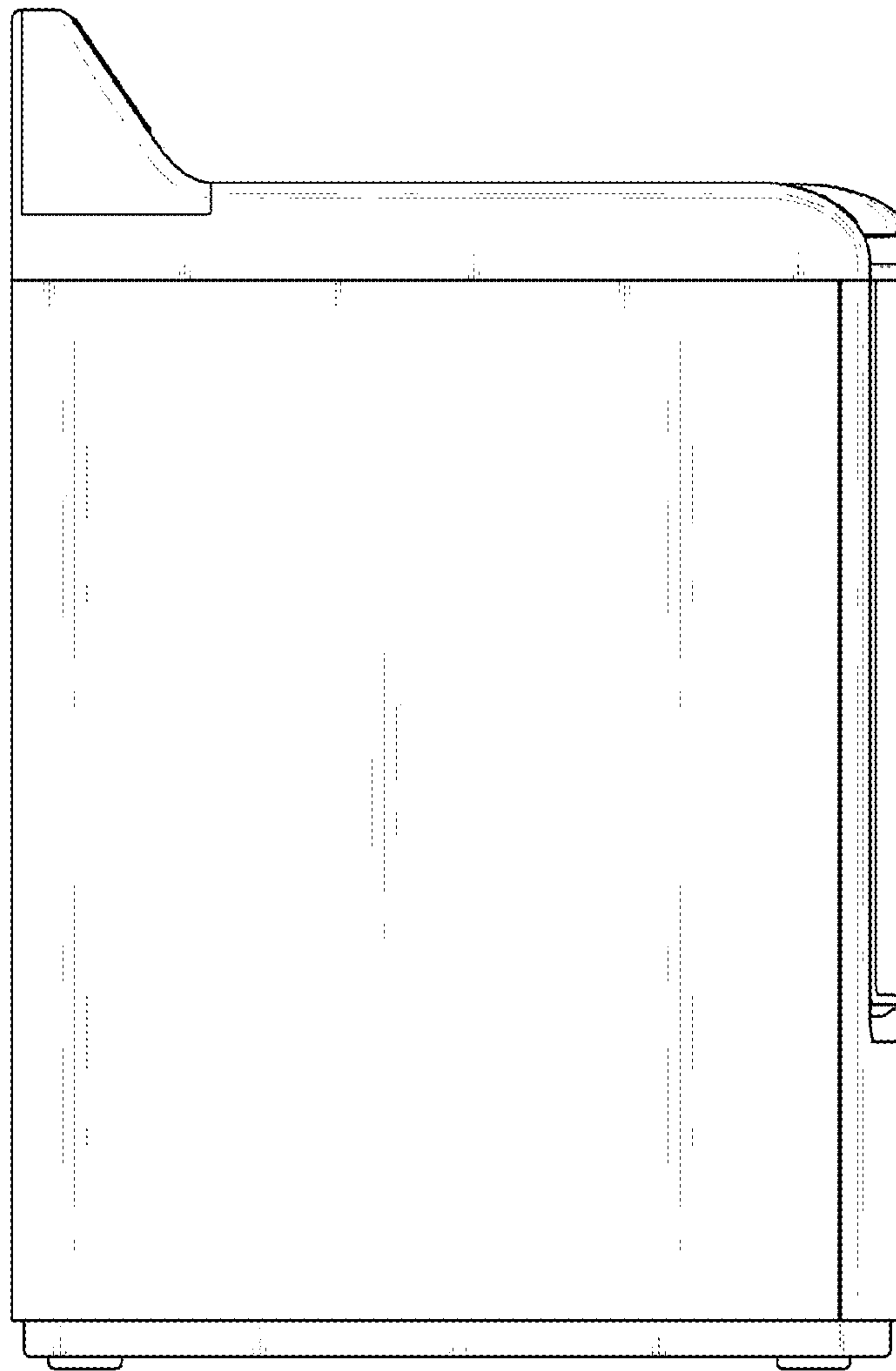


FIG. 5

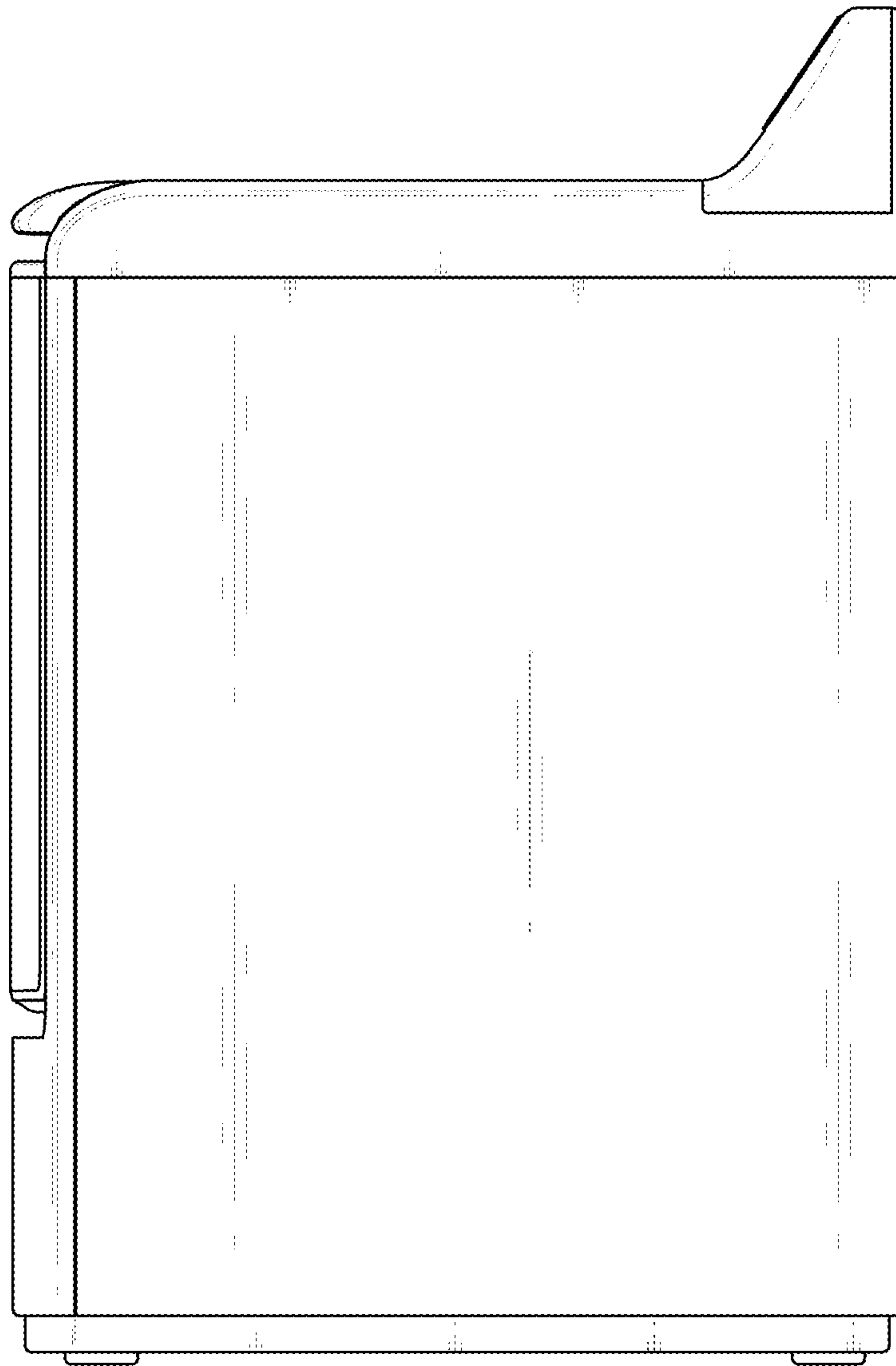


FIG. 6

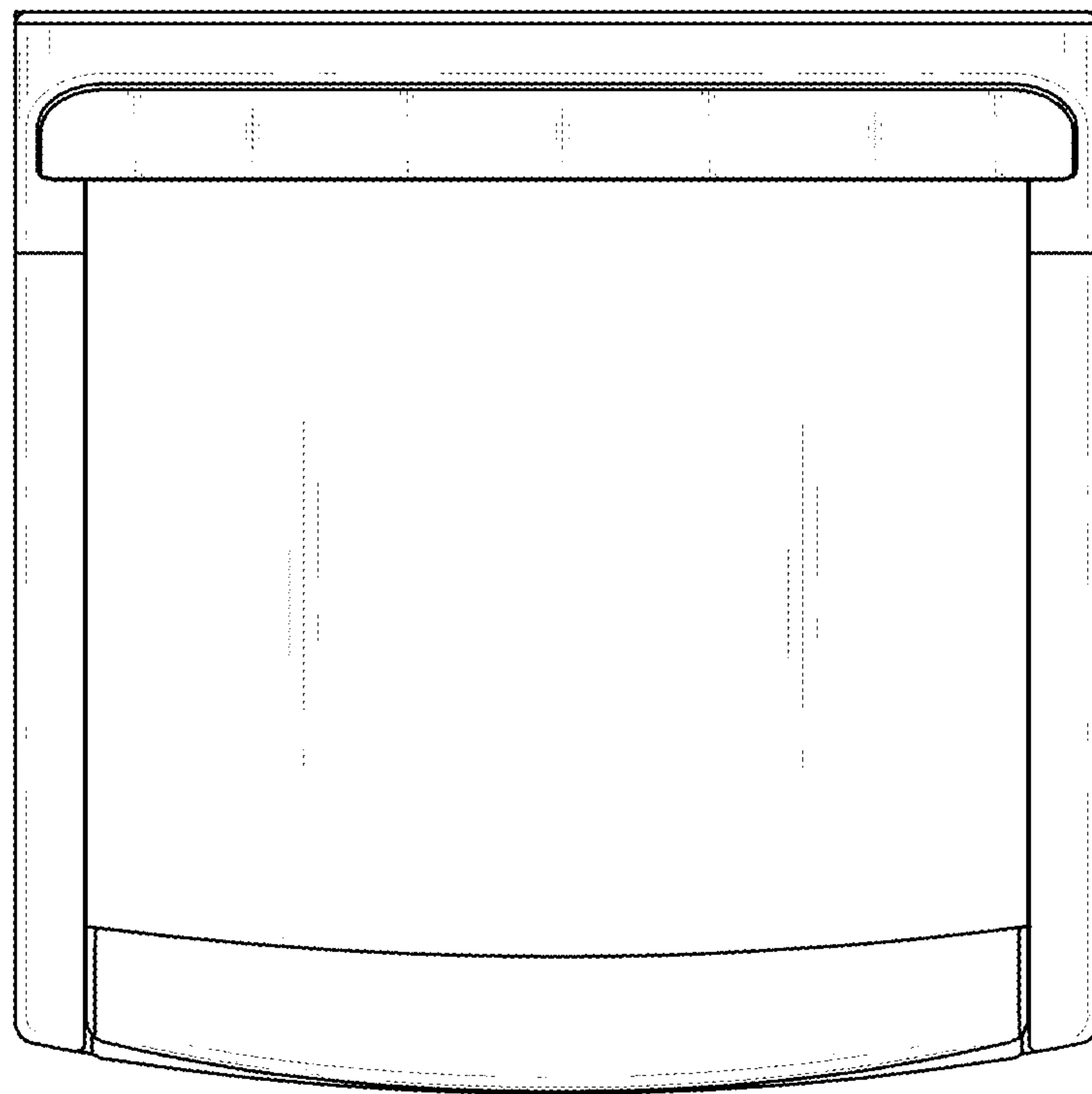


FIG. 7

