



US00D703886S

(12) **United States Design Patent**
Ha et al.

(10) **Patent No.:** **US D703,886 S**
(45) **Date of Patent:** **** Apr. 29, 2014**

(54) **WASHING MACHINE**

(71) Applicant: **LG Electronics Inc.**, Seoul (KR)

(72) Inventors: **Youngsoo Ha**, Seoul (KR); **Jeaseok Seong**, Gyeonggi-do (KR); **Kyungah Lee**, Gyeonggi-do (KR); **Jonghee Han**, Gyeonggi-do (KR)

(73) Assignee: **LG Electronics Inc.**, Seoul (KR)

(**) Term: **14 Years**

(21) Appl. No.: **29/462,684**

(22) Filed: **Aug. 7, 2013**

(30) **Foreign Application Priority Data**

Feb. 7, 2013 (KR) 30-2013-0006879

(51) **LOC (10) Cl.** **15-05**

(52) **U.S. Cl.**
USPC **D32/6**

(58) **Field of Classification Search**
USPC D32/1, 5, 6, 8, 10; 68/3 R, 4, 5 R, 12.01, 68/12.07, 12.08, 212; 34/87-88, 523-524
See application file for complete search history.

(56) **References Cited**

U.S. PATENT DOCUMENTS

D536,143	S	*	1/2007	Takase et al.	D32/5
D582,106	S	*	12/2008	Kim et al.	D32/6
D582,107	S	*	12/2008	Ha et al.	D32/6
D584,865	S	*	1/2009	Kim et al.	D32/6
D585,165	S	*	1/2009	Kim et al.	D32/6
D589,215	S	*	3/2009	Cho et al.	D32/6
D614,366	S	*	4/2010	Shor	D32/6
D614,821	S	*	4/2010	Cho et al.	D32/6
D618,863	S	*	6/2010	Jeon et al.	D32/6
D618,865	S	*	6/2010	Cline et al.	D32/6
D619,313	S	*	7/2010	Cline et al.	D32/25

D627,114	S	*	11/2010	Jeon et al.	D32/6
D627,115	S	*	11/2010	Jeon et al.	D32/6
D627,529	S	*	11/2010	Jeon et al.	D32/6
D631,623	S	*	1/2011	Chung et al.	D32/6
D634,492	S	*	3/2011	Chung et al.	D32/6

(Continued)

FOREIGN PATENT DOCUMENTS

KR	30-0348738	4/2004
KR	30-0348738-1	4/2005

(Continued)

OTHER PUBLICATIONS

European Community Design 001293732-0001, washing machine, Nov. 10, 2011, pp. 1-2.

(Continued)

Primary Examiner — T. Chase Nelson

Assistant Examiner — Kathleen M Sims

(74) *Attorney, Agent, or Firm* — Morgan, Lewis & Bockius LLP

(57) **CLAIM**

The ornamental design for a washing machine, as shown and described.

DESCRIPTION

FIG. 1 is a perspective view of a washing machine showing our new design;

FIG. 2 is a front view thereof;

FIG. 3 is a rear view thereof;

FIG. 4 is a left side view thereof;

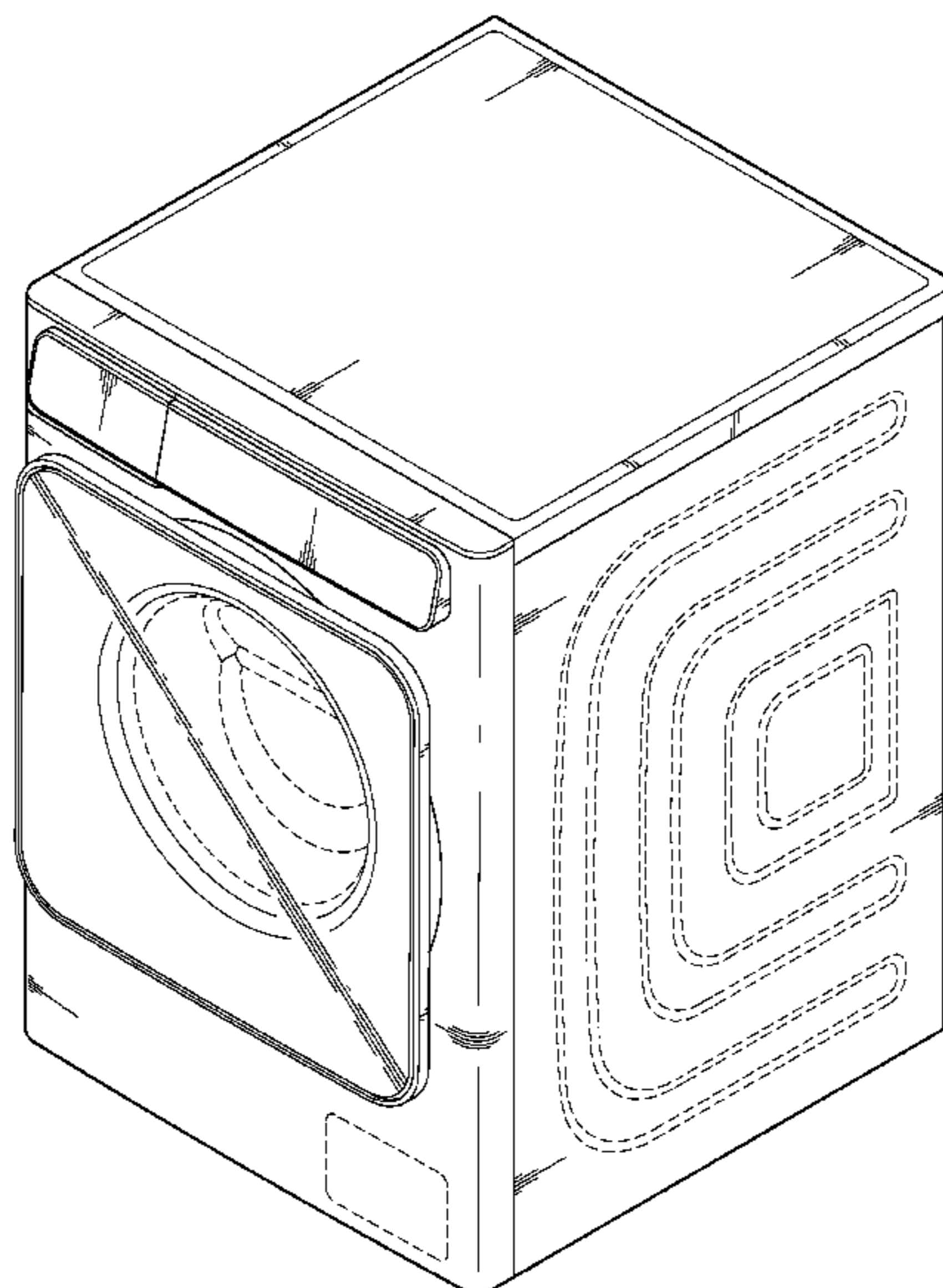
FIG. 5 is a right side view thereof;

FIG. 6 is a top plan view thereof; and,

FIG. 7 is a bottom plan view thereof.

The broken lines are for purposes of illustrating portions of the washing machine that form no part of the claimed design.

1 Claim, 7 Drawing Sheets



(56)

References Cited

U.S. PATENT DOCUMENTS

D635,313	S *	3/2011	Jeon et al.	D32/6
D642,752	S *	8/2011	Kim	D32/6
D648,907	S *	11/2011	Jeon et al.	D32/6
D649,722	S *	11/2011	Chung et al.	D32/6
D658,340	S *	4/2012	Jeon et al.	D32/6
D663,907	S *	7/2012	Jeon et al.	D32/6
D663,908	S *	7/2012	Jeon et al.	D32/6
D664,313	S *	7/2012	Chung et al.	D32/6
D682,492	S *	5/2013	Chung et al.	D32/6
D683,088	S *	5/2013	Chung et al.	D32/6
2013/0198970	A1 *	8/2013	Doh et al.	8/137
2013/0198971	A1 *	8/2013	Doh et al.	8/137

FOREIGN PATENT DOCUMENTS

KR	30-0424478	9/2006
KR	30-0449788	5/2007
KR	30-0458157	8/2007

KR	30-0494085	6/2008
KR	30-0507064	9/2008
KR	30-0507437	10/2008
KR	30-0521091	2/2009
KR	30-0521092	2/2009
KR	30-0525693	4/2009
KR	30-0531794	6/2009
KR	30-0531796	6/2009
KR	30-0531801	6/2009
KR	30-0559737	4/2010
KR	30-0578463	11/2010
KR	30-0637660	3/2012
KR	30-0656552	8/2012

OTHER PUBLICATIONS

European Community Design 001293732-0002, washing machine, Nov. 10, 2011, pp. 1-2.
 European Community Design 001533985-0002, washing machine, Sep. 7, 2009, pp. 1-2.

* cited by examiner

FIG. 1

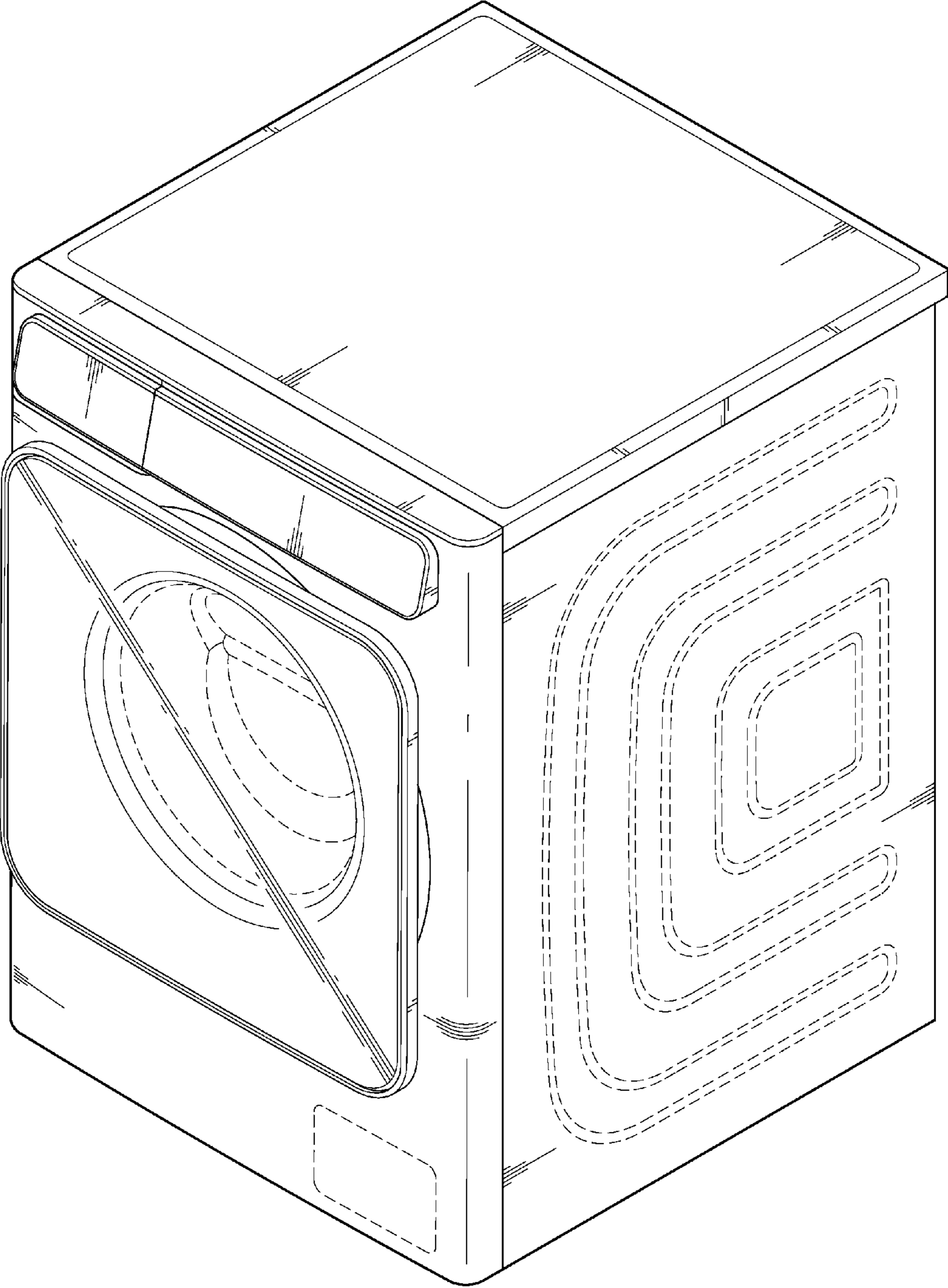


FIG. 2

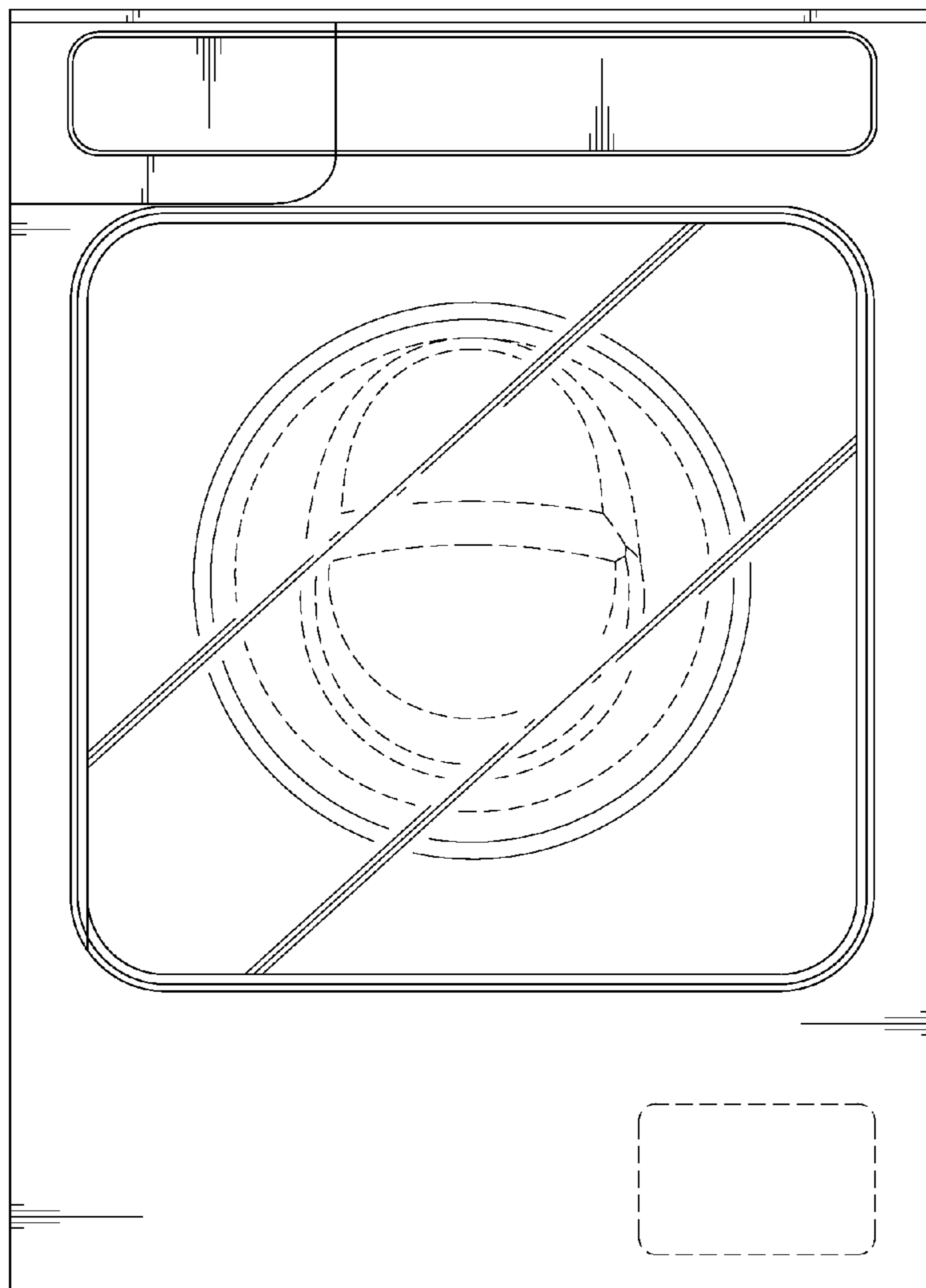


FIG. 3

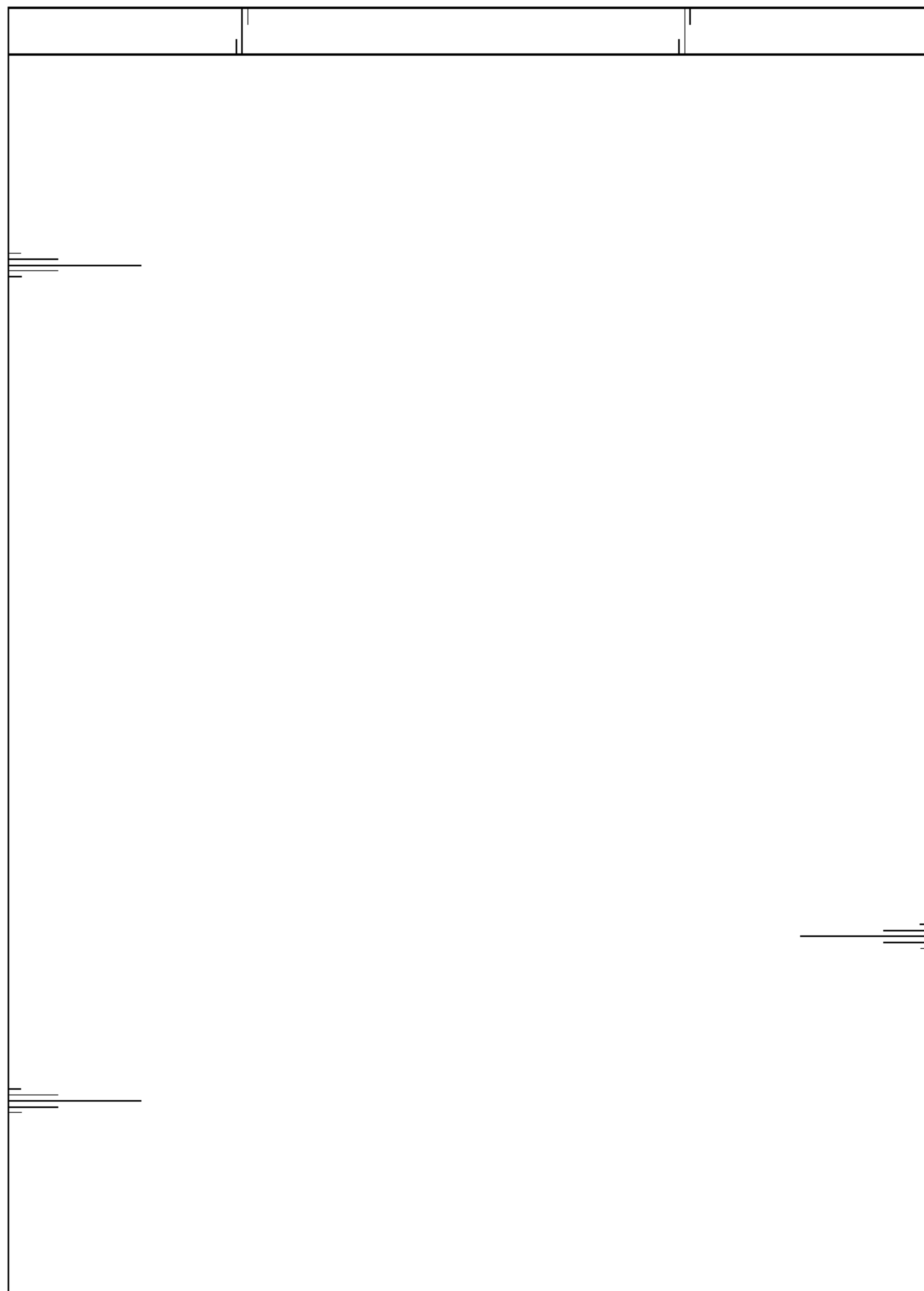


FIG. 4

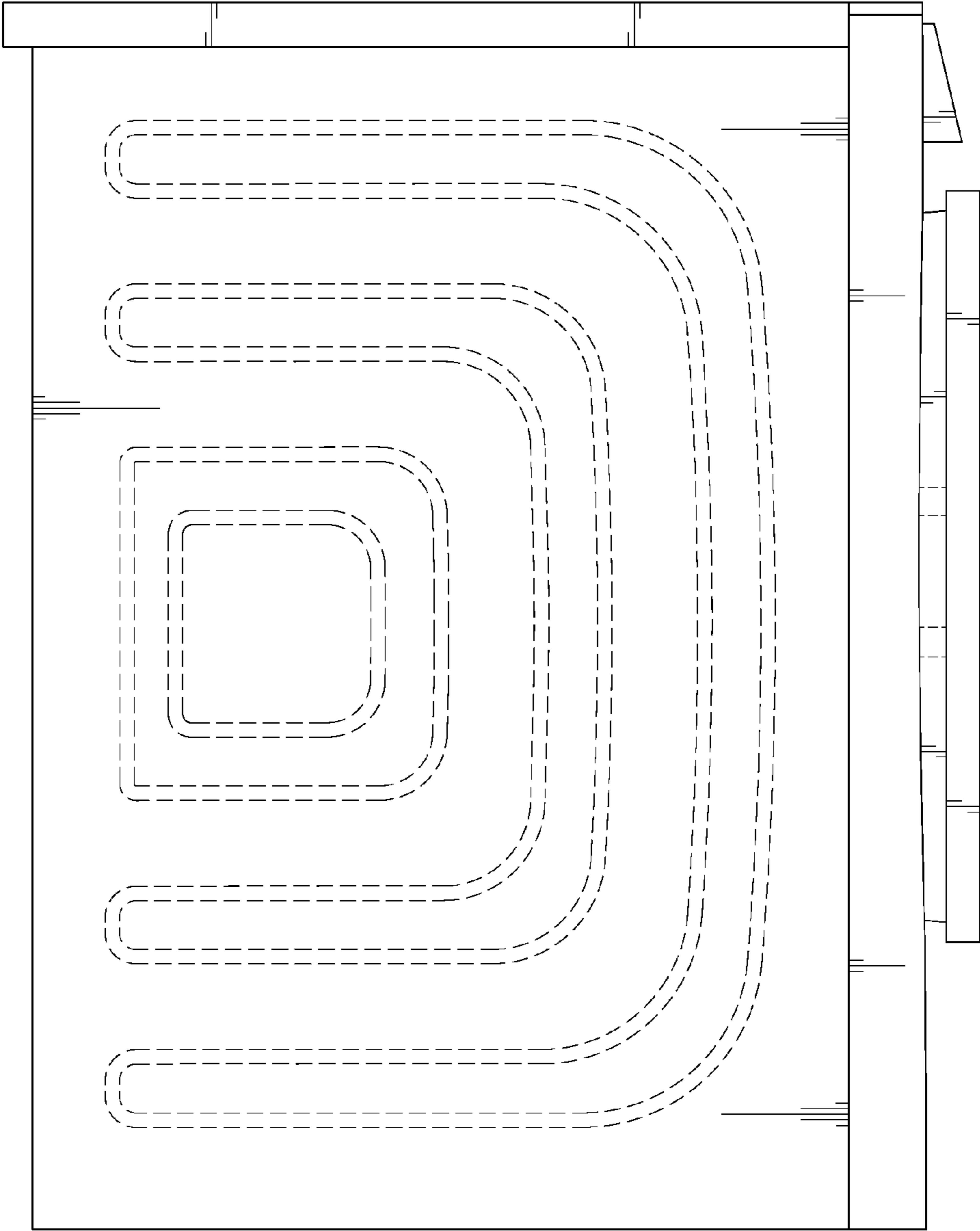


FIG. 5

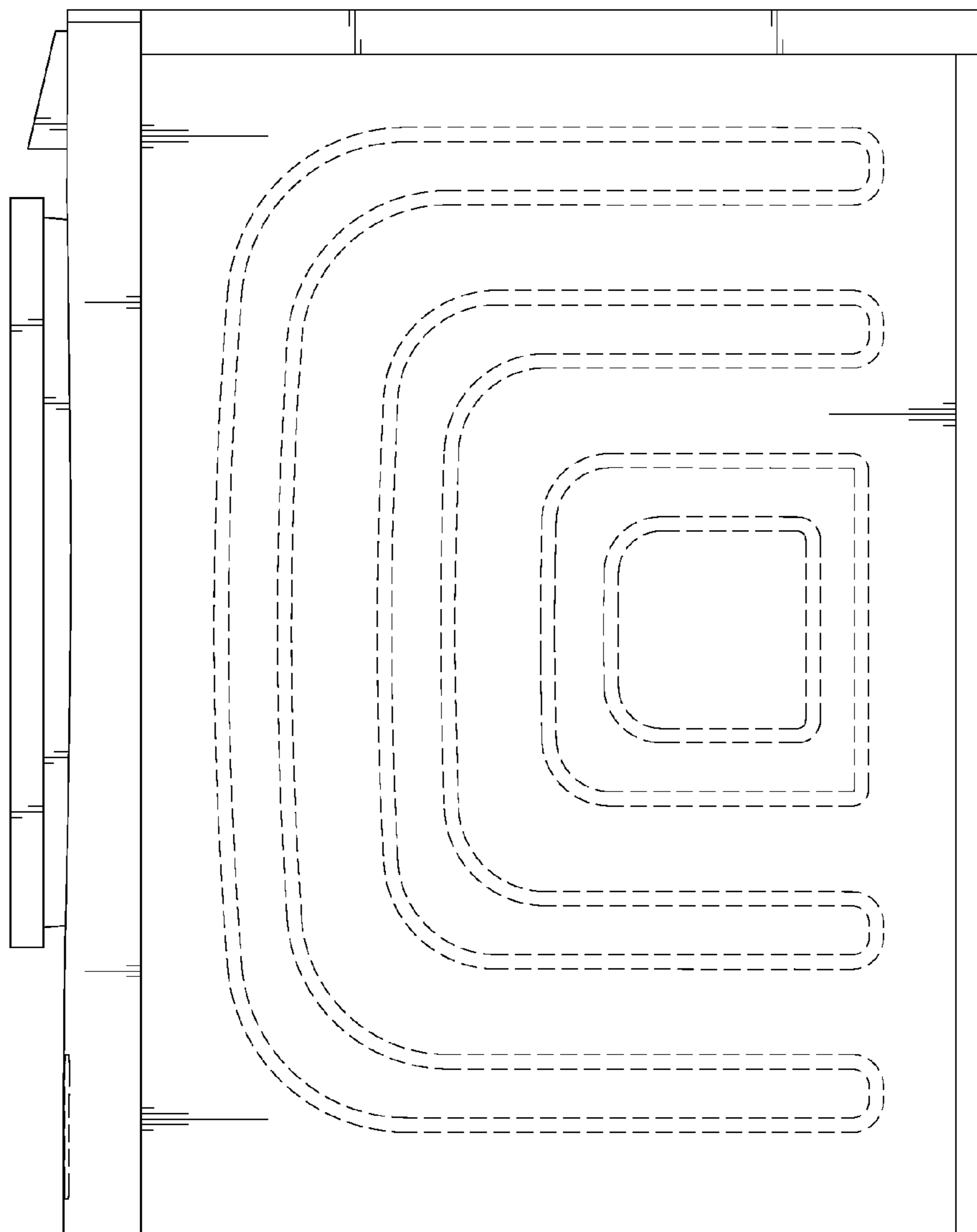


FIG. 6

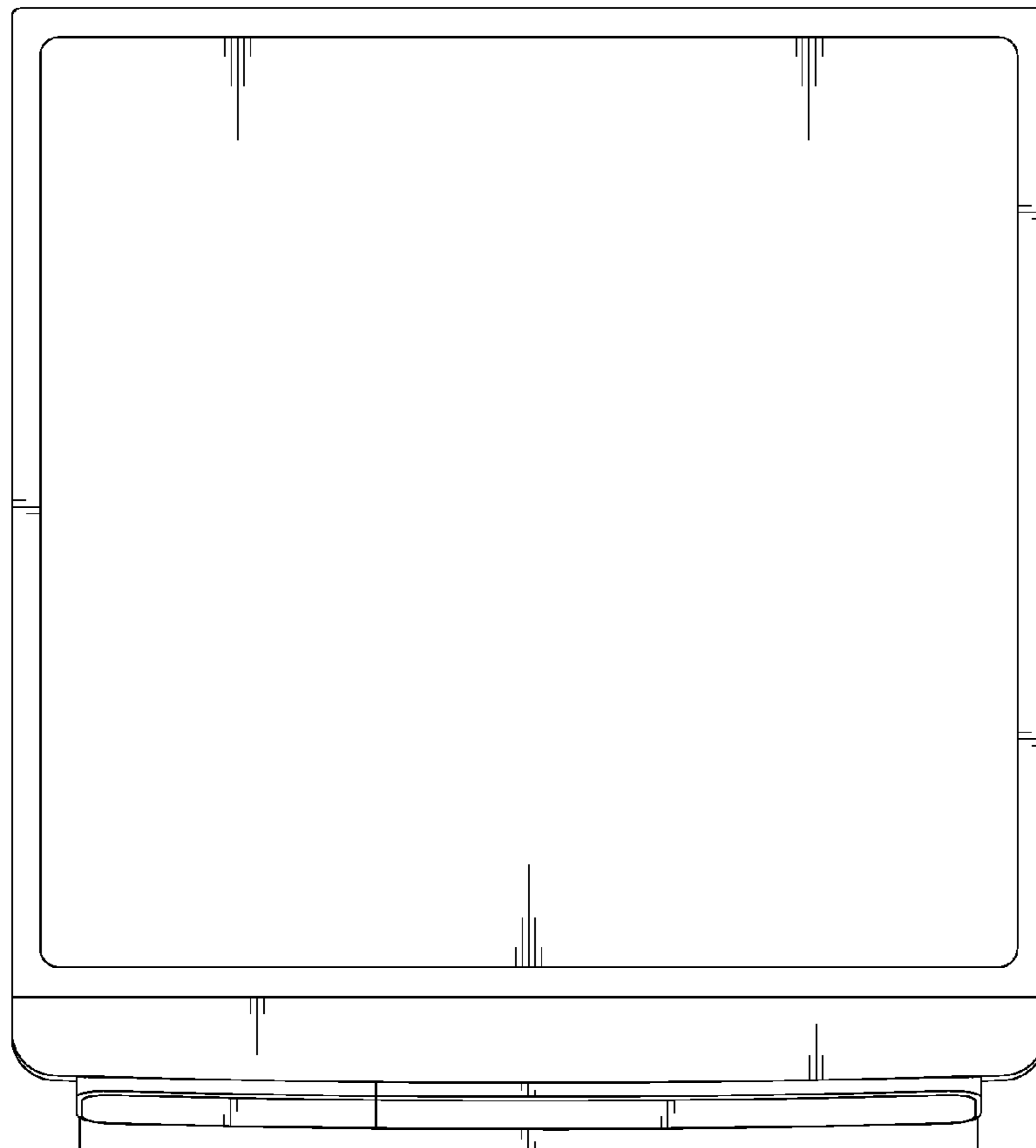


FIG. 7

