



US00D703885S

(12) **United States Design Patent**  
**Ha et al.**

(10) **Patent No.:** **US D703,885 S**  
(45) **Date of Patent:** **\*\* Apr. 29, 2014**

(54) **WASHING MACHINE**

D659,307 S \* 5/2012 Geyer et al. .... D32/6  
D675,793 S \* 2/2013 Geyer et al. .... D32/6  
D693,973 S \* 11/2013 Geyer et al. .... D32/6

(71) Applicant: **LG Electronics Inc.**, Seoul (KR)

(72) Inventors: **Youngsoo Ha**, Seoul (KR); **Jeaseok Seong**, Gyeonggi-do (KR); **Kyungah Lee**, Gyeonggi-do (KR); **Jonghee Han**, Gyeonggi-do (KR)

**FOREIGN PATENT DOCUMENTS**

KR 30-0348738 4/2004  
KR 30-0348738-1 4/2005  
KR 30-0424478 9/2006  
KR 30-0449788 5/2007

(73) Assignee: **LG Electronics Inc.**, Seoul (KR)

(Continued)

(\*\*) Term: **14 Years**

**OTHER PUBLICATIONS**

(21) Appl. No.: **29/462,683**

European Community Design 001293732-0001, washing machine, Nov. 10, 2011, pp. 1-2.

(22) Filed: **Aug. 7, 2013**

(Continued)

(30) **Foreign Application Priority Data**

Feb. 7, 2013 (KR) ..... 30-2013-0006878

*Primary Examiner* — T. Chase Nelson

*Assistant Examiner* — Kathleen M Sims

(51) **LOC (10) Cl.** ..... **15-05**

(74) *Attorney, Agent, or Firm* — Morgan, Lewis & Bockius LLP

(52) **U.S. Cl.**

USPC ..... **D32/6**

(58) **Field of Classification Search**

USPC ..... D32/1, 5, 6, 8, 10; 68/3 R, 4, 5 R, 12.01, 68/12.07, 12.08, 212; 34/87-88, 523-524  
See application file for complete search history.

(57) **CLAIM**

The ornamental design for a washing machine, as shown and described.

(56) **References Cited**

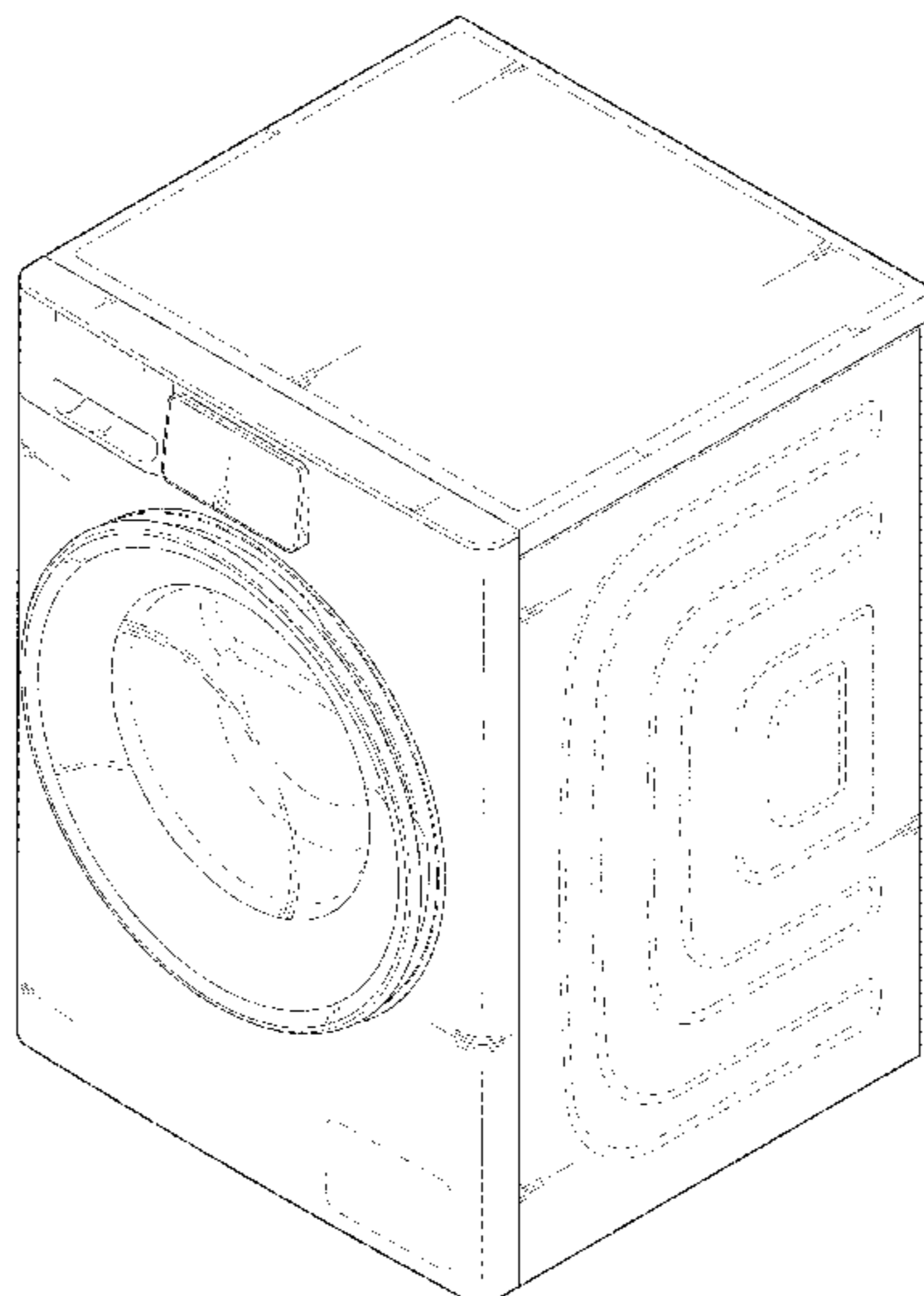
**DESCRIPTION**

**U.S. PATENT DOCUMENTS**

D177,010 S \* 3/1956 Boldt ..... D32/6  
D236,152 S \* 7/1975 Yamamoto ..... D32/8  
D456,572 S \* 4/2002 Resuello et al. .... D32/6  
D561,957 S \* 2/2008 Browne et al. .... D32/6  
D577,162 S \* 9/2008 Shail et al. .... D32/6  
D589,217 S \* 3/2009 Park et al. .... D32/6  
D595,908 S \* 7/2009 Park et al. .... D32/6  
D610,757 S \* 2/2010 Yalcin et al. .... D32/6  
D610,758 S \* 2/2010 Yalcin et al. .... D32/6  
D611,206 S \* 3/2010 Yalcin et al. .... D32/6  
D611,207 S \* 3/2010 Yalcin et al. .... D32/6  
D628,755 S \* 12/2010 Helot et al. .... D32/5  
D653,822 S \* 2/2012 Geyer et al. .... D32/6

FIG. 1 is a perspective view of a washing machine showing our new design;  
FIG. 2 is a front view thereof;  
FIG. 3 is a rear view thereof;  
FIG. 4 is a left side view thereof;  
FIG. 5 is a right side view thereof;  
FIG. 6 is a top plan view thereof; and,  
FIG. 7 is a bottom plan view thereof.  
The broken lines are for purposes of illustrating portions of the washing machine that form no part of the claimed design.

**1 Claim, 7 Drawing Sheets**



(56)

**References Cited**

FOREIGN PATENT DOCUMENTS

KR	30-0458157	8/2007
KR	30-0494085	6/2008
KR	30-0507064	9/2008
KR	30-0507437	10/2008
KR	30-0521091	2/2009
KR	30-0521092	2/2009
KR	30-0525693	4/2009
KR	30-0531794	6/2009
KR	30-0531796	6/2009

KR	30-0531801	6/2009
KR	30-0559737	4/2010
KR	30-0578463	11/2010
KR	30-0637660	3/2012
KR	30-0656552	8/2012

**OTHER PUBLICATIONS**

European Community Design 001293732-0002, washing machine,  
Nov. 10, 2011, pp. 1-2.  
European Community Design 001533985-0002, washing machine,  
Sep. 7, 2009, pp. 1-2.

\* cited by examiner

FIG. 1

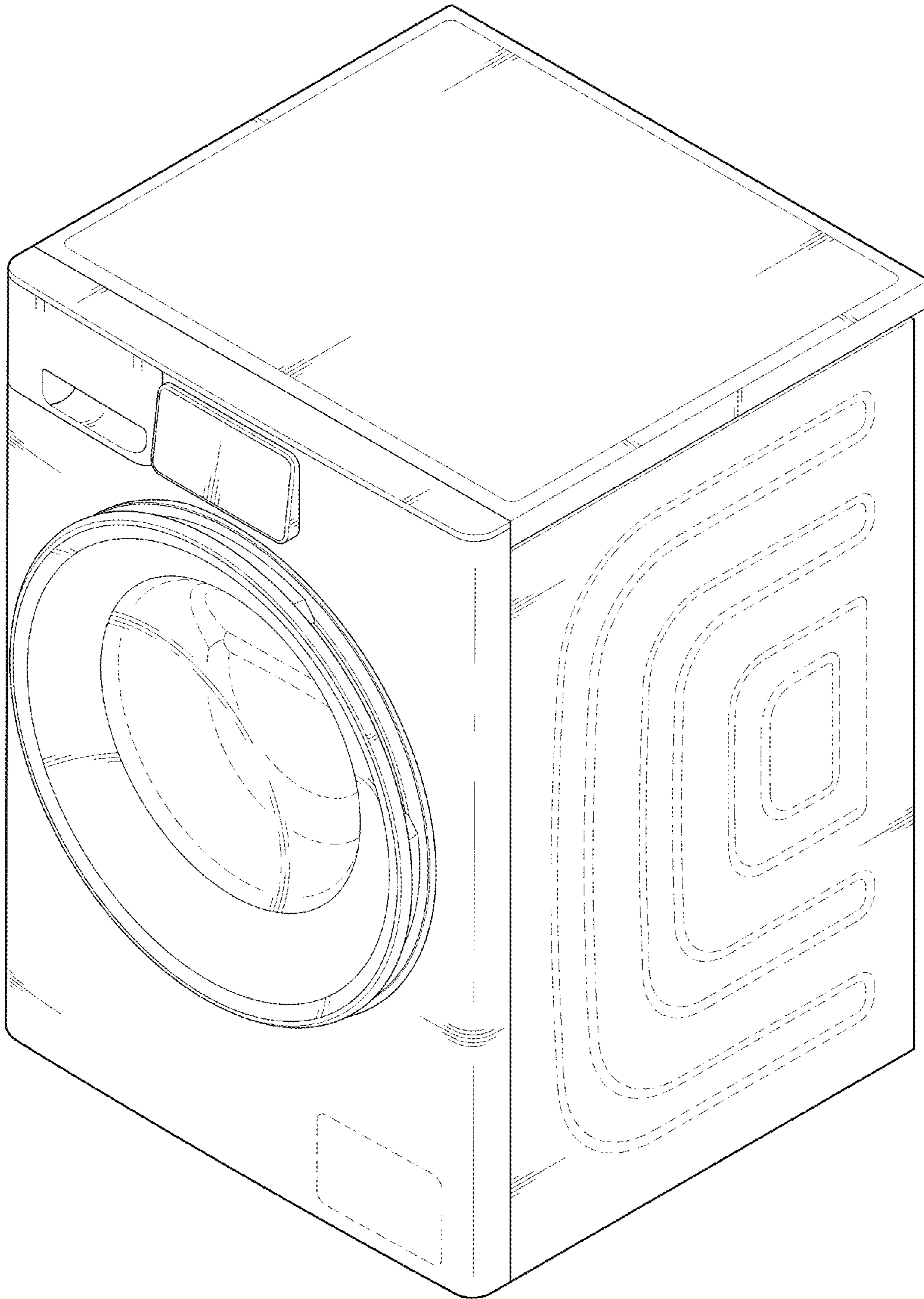


FIG. 2

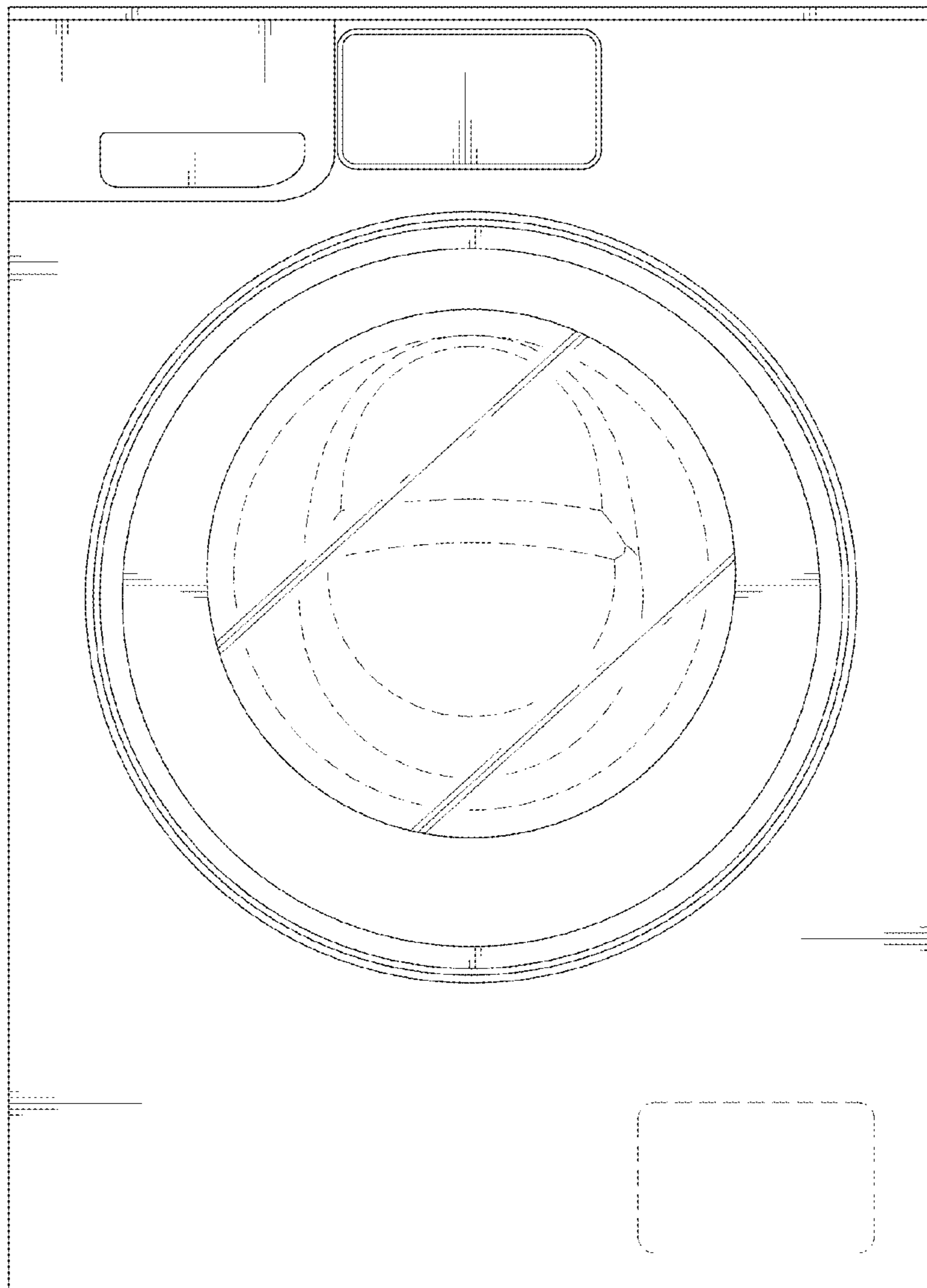


FIG. 3

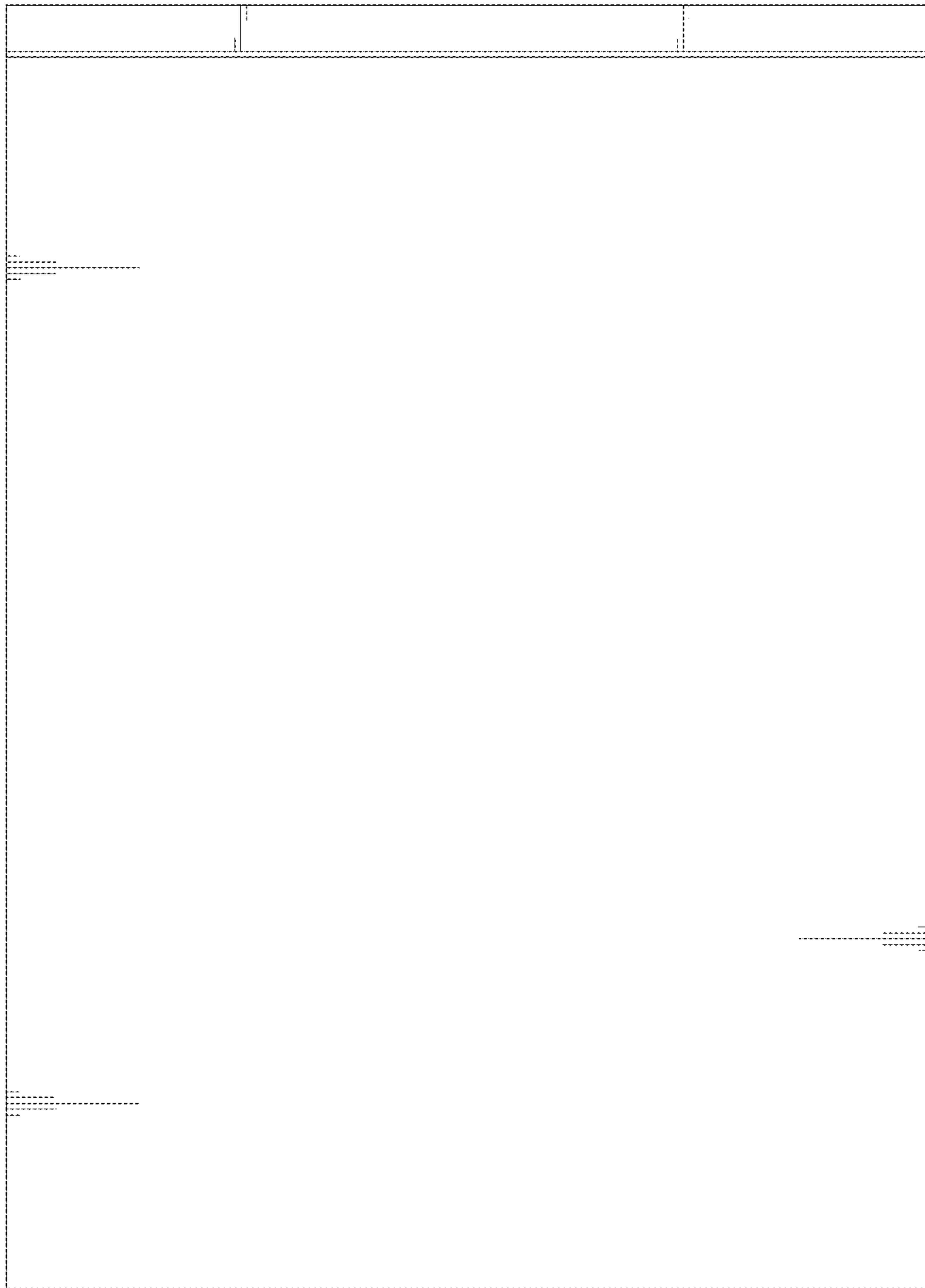


FIG. 4

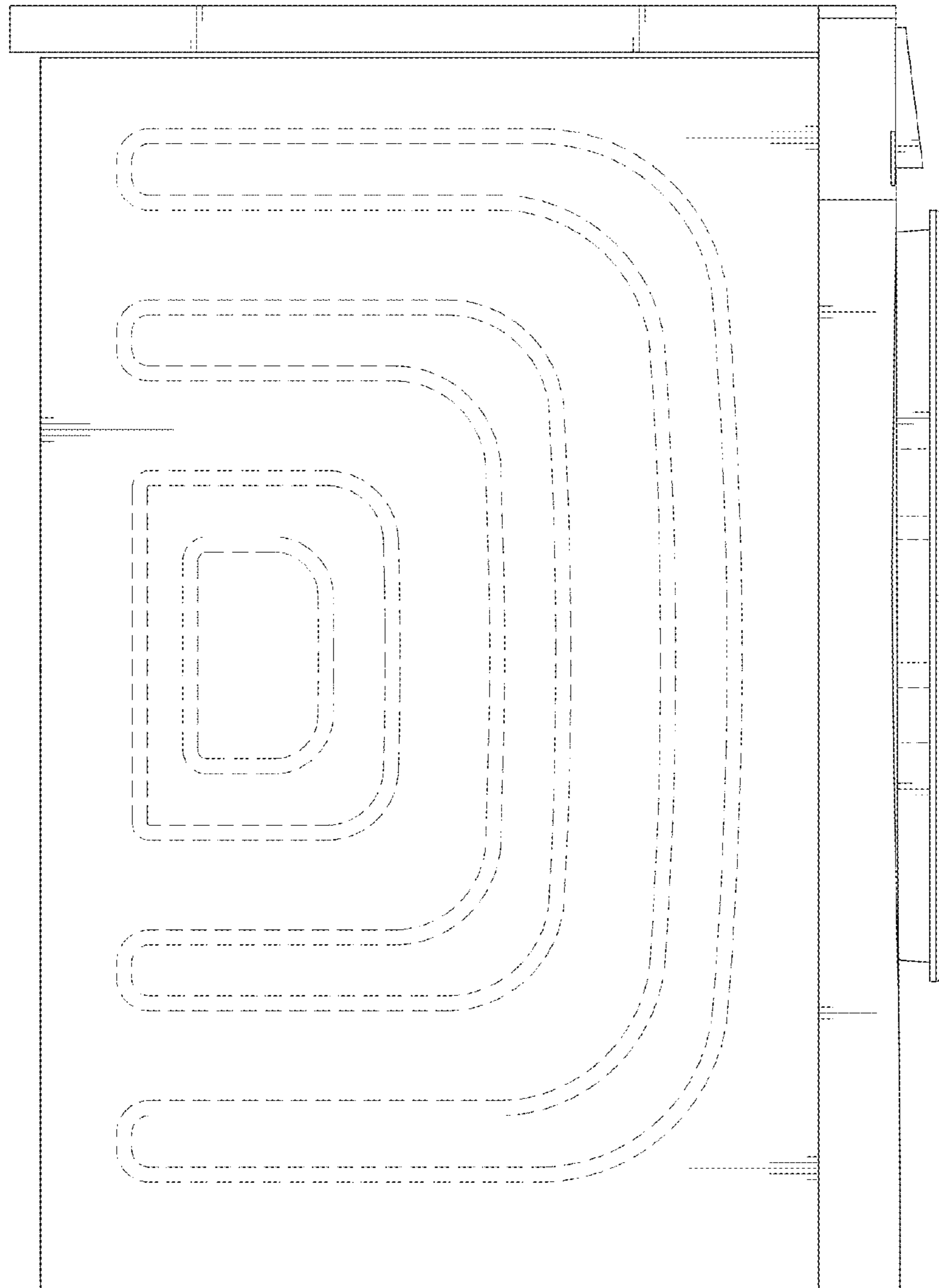


FIG. 5

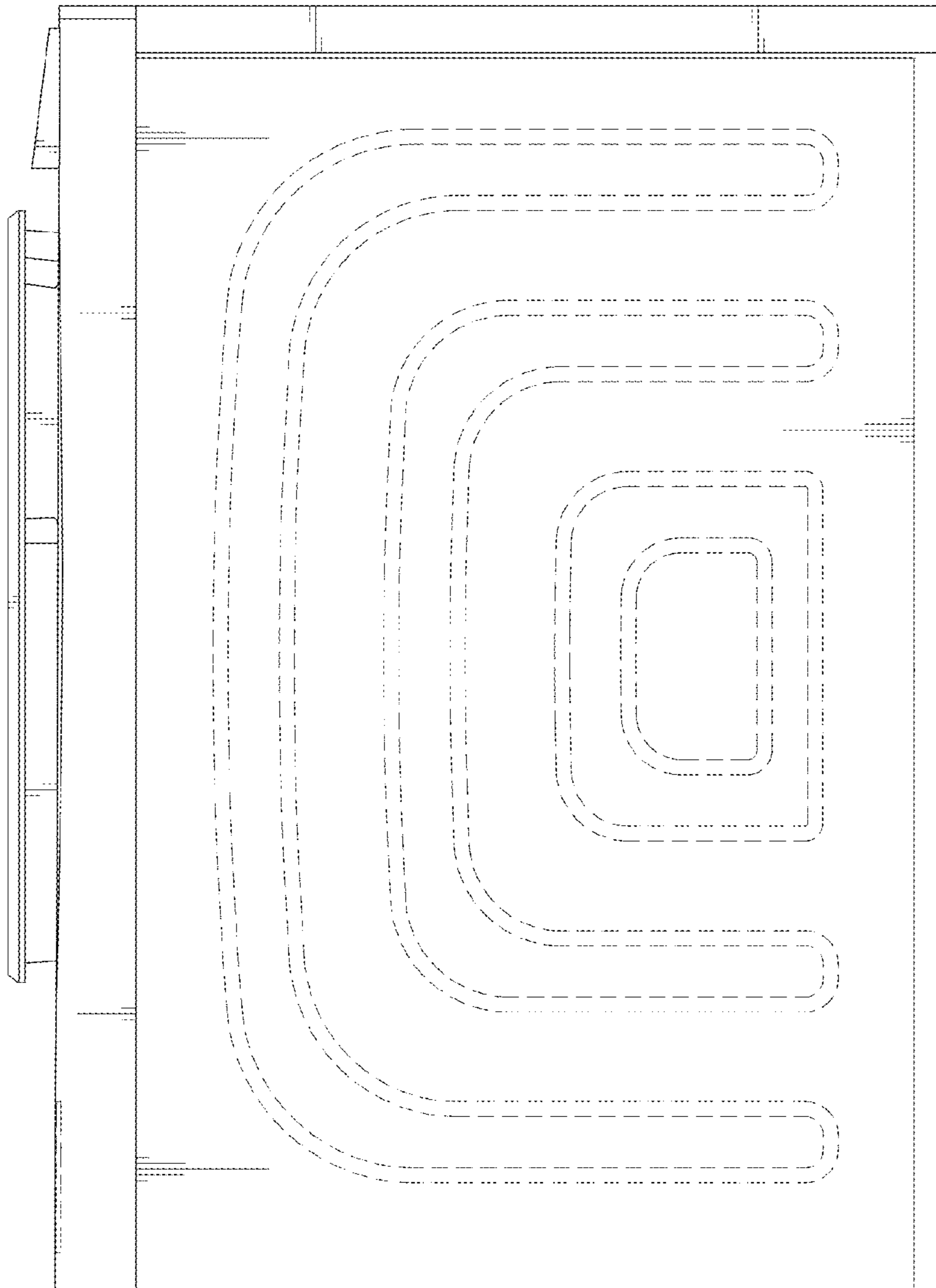


FIG. 6

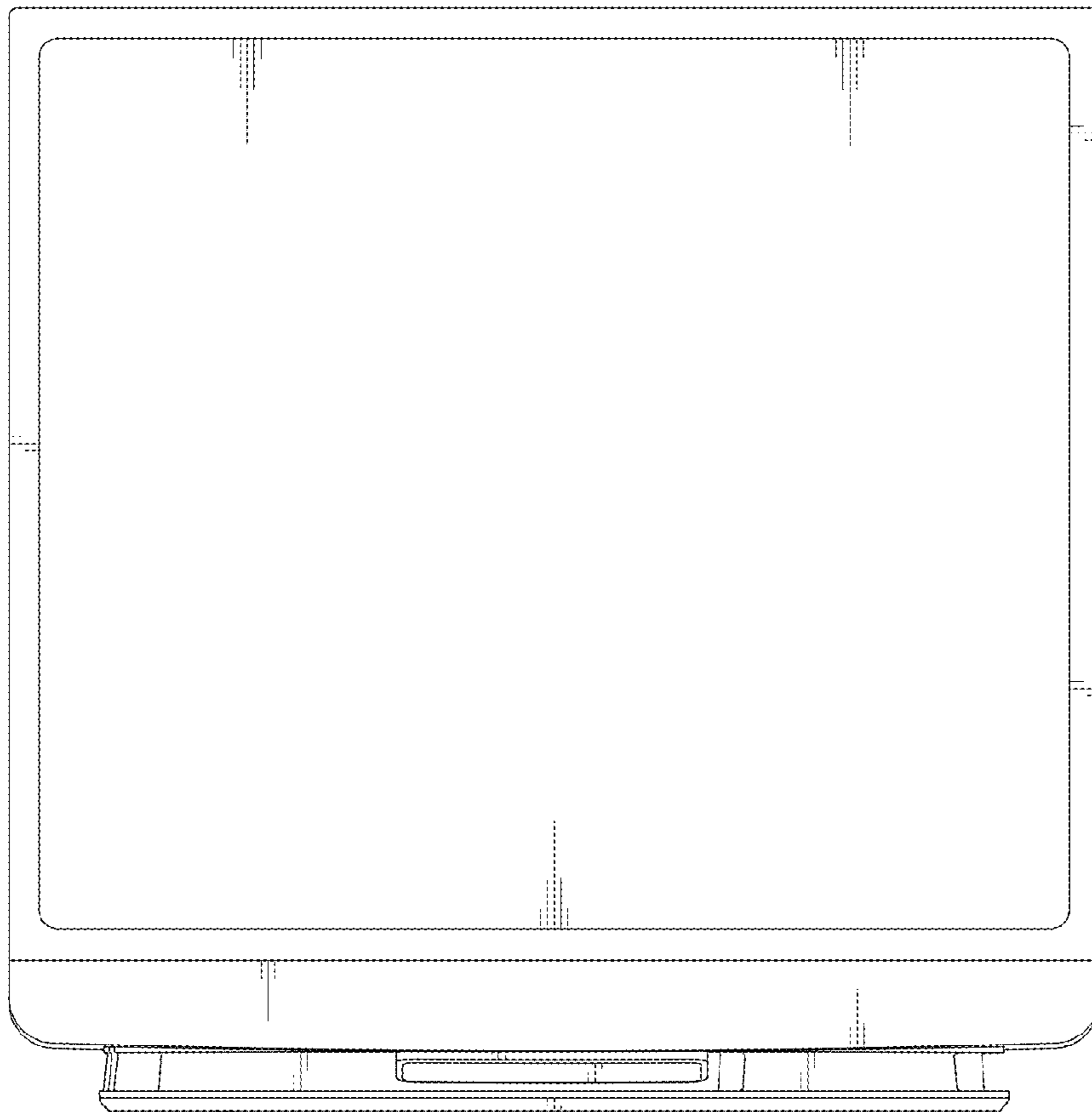




FIG. 7

