



US00D703884S

(12) **United States Design Patent**
Ha et al.

(10) **Patent No.:** **US D703,884 S**
(45) **Date of Patent:** **** Apr. 29, 2014**

(54) **WASHING MACHINE**

D659,307 S * 5/2012 Geyer et al. D32/6
D675,793 S * 2/2013 Geyer et al. D32/6
D693,973 S * 11/2013 Geyer et al. D32/6

(71) Applicant: **LG Electronics Inc.**, Seoul (KR)

(72) Inventors: **Youngsoo Ha**, Seoul (KR); **Jeaseok Seong**, Gyeonggi-do (KR); **Kyungah Lee**, Gyeonggi-do (KR); **Jonghee Han**, Gyeonggi-do (KR)

FOREIGN PATENT DOCUMENTS

KR 30-0348738 4/2004
KR 30-0348738-1 4/2005
KR 30-0424478 9/2006
KR 30-0449788 5/2007

(73) Assignee: **LG Electronics Inc.**, Seoul (KR)

(Continued)

(**) Term: **14 Years**

OTHER PUBLICATIONS

(21) Appl. No.: **29/462,682**

European Community Design 001293732-0001, washing machine, Nov. 10, 2011, pp. 1-2.

(22) Filed: **Aug. 7, 2013**

(Continued)

(30) **Foreign Application Priority Data**

Feb. 7, 2013 (KR) 30-2013-0006877

Primary Examiner — T. Chase Nelson

Assistant Examiner — Kathleen M Sims

(51) **LOC (10) Cl.** **15-05**

(74) *Attorney, Agent, or Firm* — Morgan, Lewis & Bockius LLP

(52) **U.S. Cl.**

USPC **D32/6**

(58) **Field of Classification Search**

USPC D32/1, 5, 6, 8, 10; 68/3 R, 4, 5 R, 12.01, 68/12.07, 12.08, 212; 34/87-88, 523-524

See application file for complete search history.

(57) **CLAIM**

The ornamental design for a washing machine, as shown and described.

(56) **References Cited**

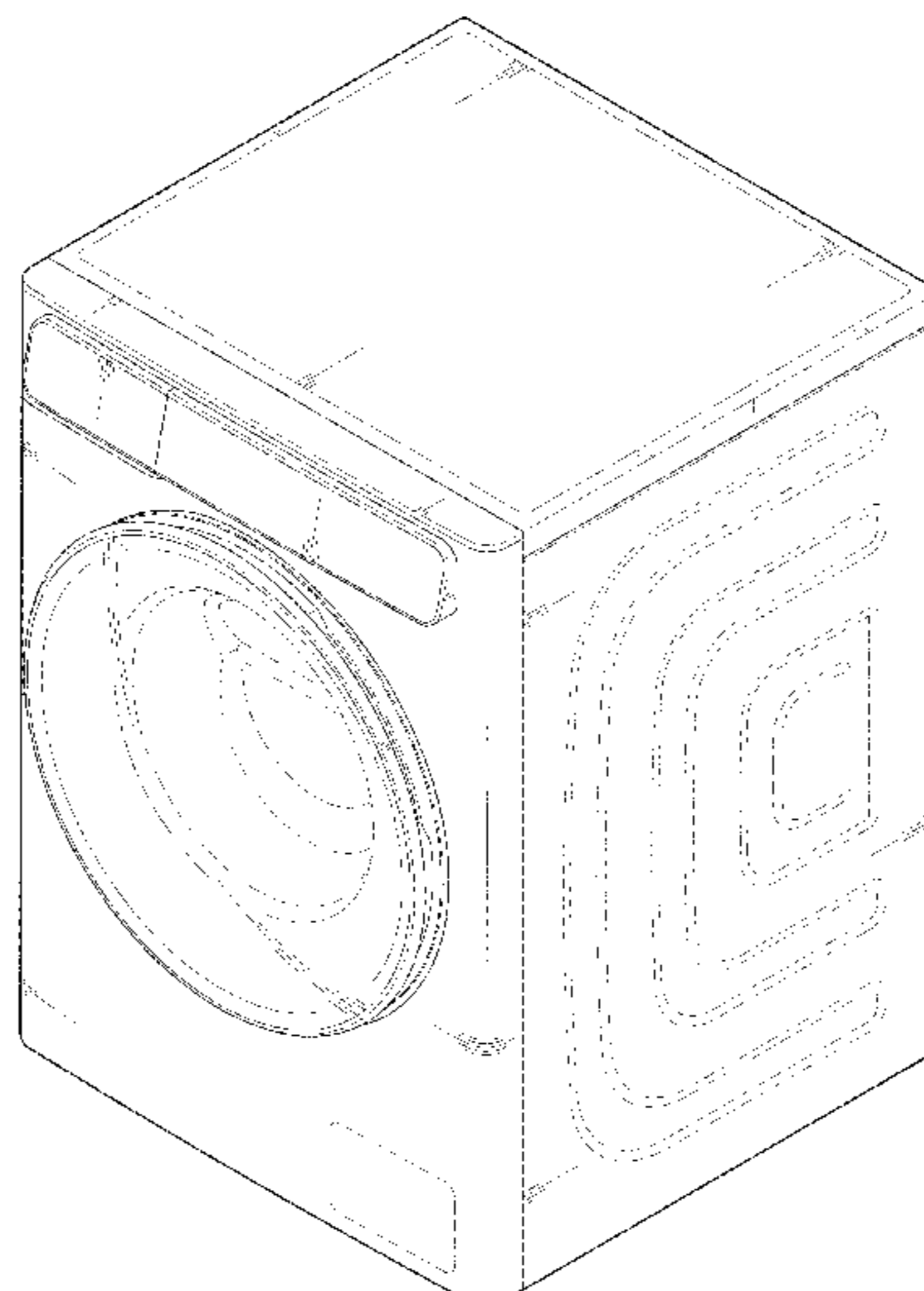
DESCRIPTION

U.S. PATENT DOCUMENTS

D177,010 S * 3/1956 Boldt D32/6
D236,152 S * 7/1975 Yamamoto D32/8
D456,572 S * 4/2002 Resuello et al. D32/6
D561,957 S * 2/2008 Browne et al. D32/6
D577,162 S * 9/2008 Shail et al. D32/6
D589,217 S * 3/2009 Park et al. D32/6
D595,908 S * 7/2009 Park et al. D32/6
D610,757 S * 2/2010 Yalcin et al. D32/6
D610,758 S * 2/2010 Yalcin et al. D32/6
D611,206 S * 3/2010 Yalcin et al. D32/6
D611,207 S * 3/2010 Yalcin et al. D32/6
D628,755 S * 12/2010 Helot et al. D32/5
D653,822 S * 2/2012 Geyer et al. D32/6

FIG. 1 is a perspective view of a washing machine showing our new design;
FIG. 2 is a front view thereof;
FIG. 3 is a rear view thereof;
FIG. 4 is a left side view thereof;
FIG. 5 is a right side view thereof;
FIG. 6 is a top plan view thereof; and,
FIG. 7 is a bottom plan view thereof.
The broken lines are for purposes of illustrating portions of the washing machine that form no part of the claimed design.

1 Claim, 7 Drawing Sheets



(56)

References Cited

FOREIGN PATENT DOCUMENTS

KR	30-0458157	8/2007
KR	30-0494085	6/2008
KR	30-0507064	9/2008
KR	30-0507437	10/2008
KR	30-0521091	2/2009
KR	30-0521092	2/2009
KR	30-0525693	4/2009
KR	30-0531794	6/2009
KR	30-0531796	6/2009

KR	30-0531801	6/2009
KR	30-0559737	4/2010
KR	30-0578463	11/2010
KR	30-0637660	3/2012
KR	30-0656552	8/2012

OTHER PUBLICATIONS

European Community Design 001293732-0002, washing machine,
Nov. 10, 2011, pp. 1-2.
European Community Design 001533985-0002, washing machine,
Sep. 7, 2009, pp. 1-2.

* cited by examiner

FIG. 1

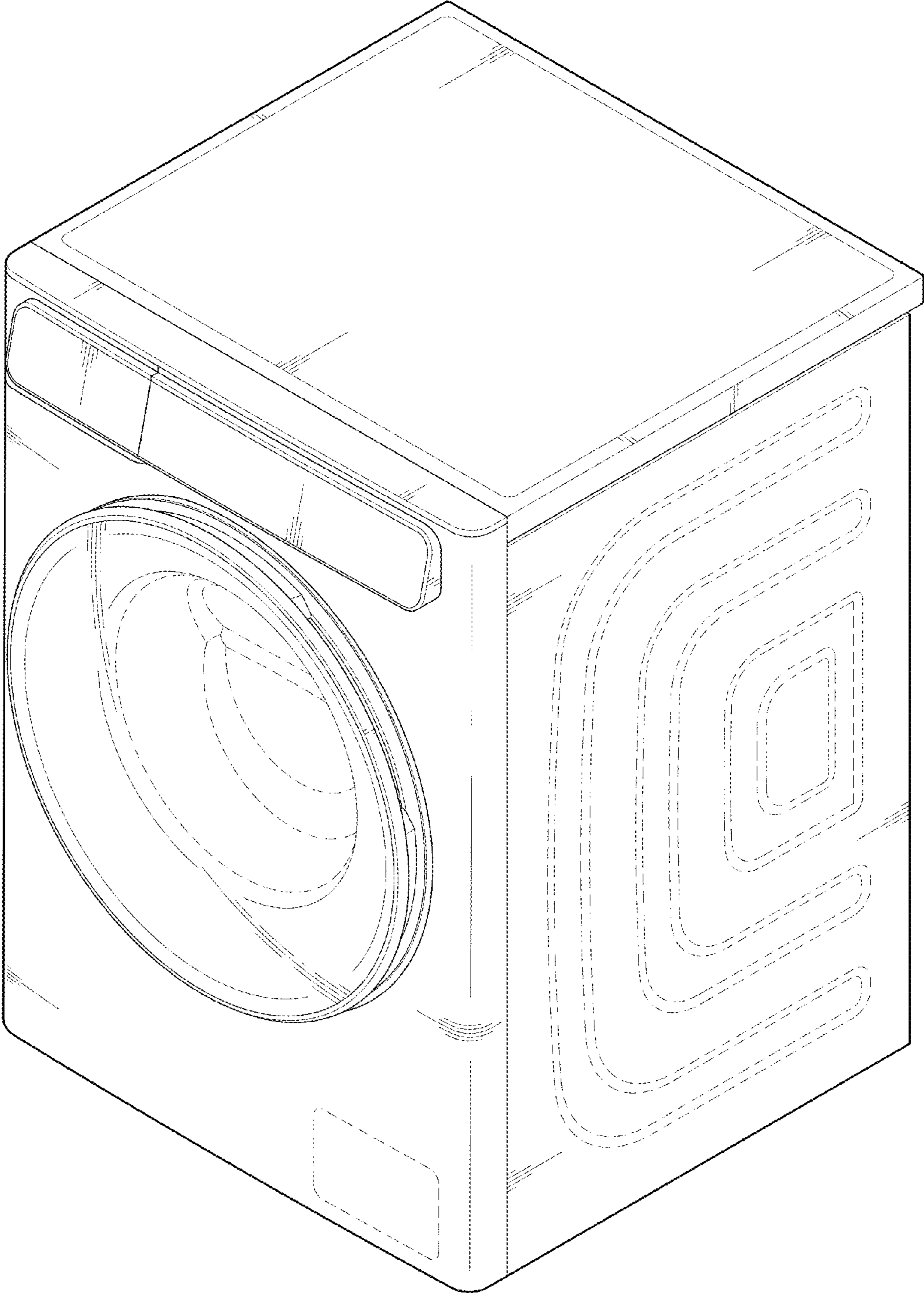


FIG. 2

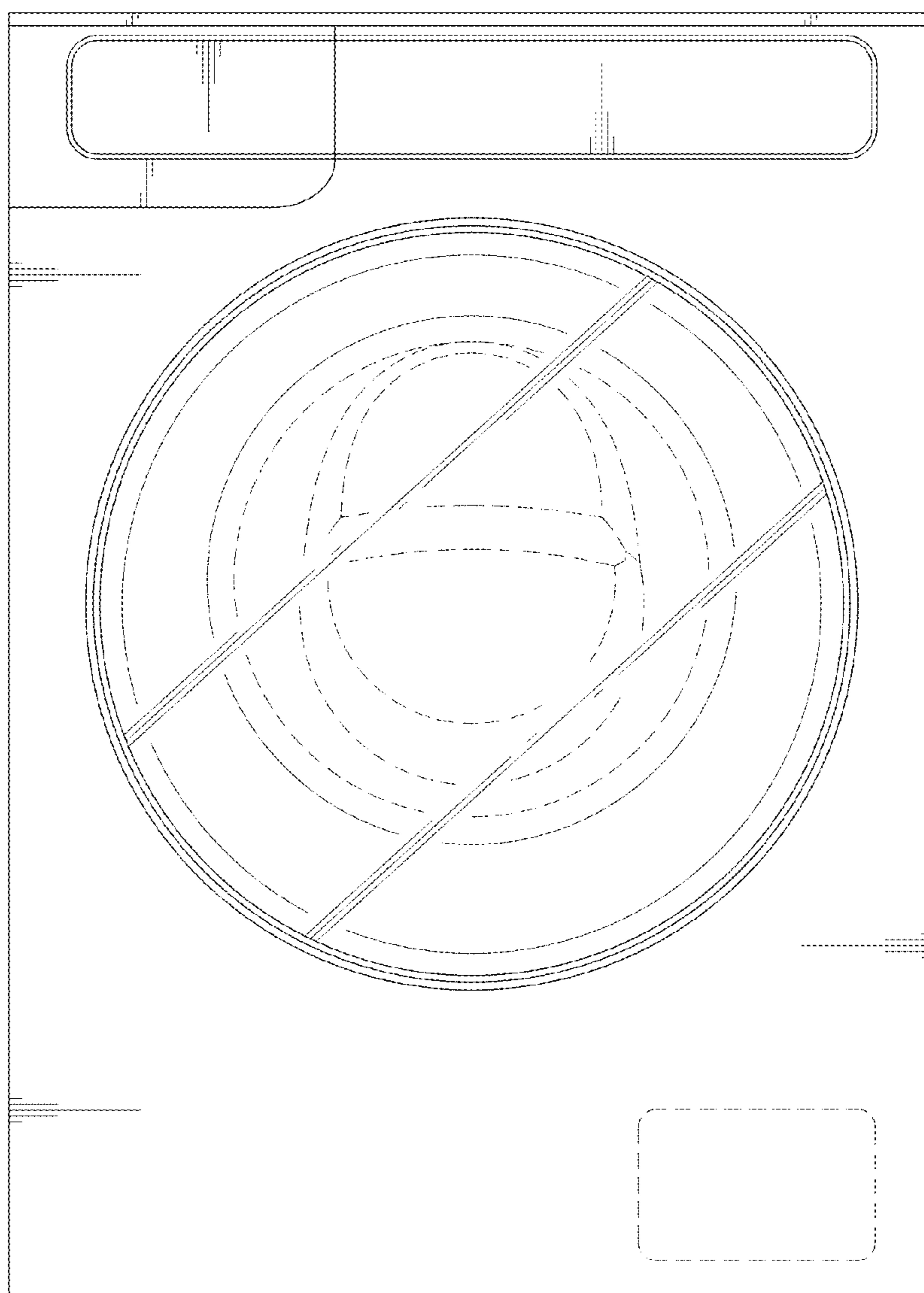


FIG. 3

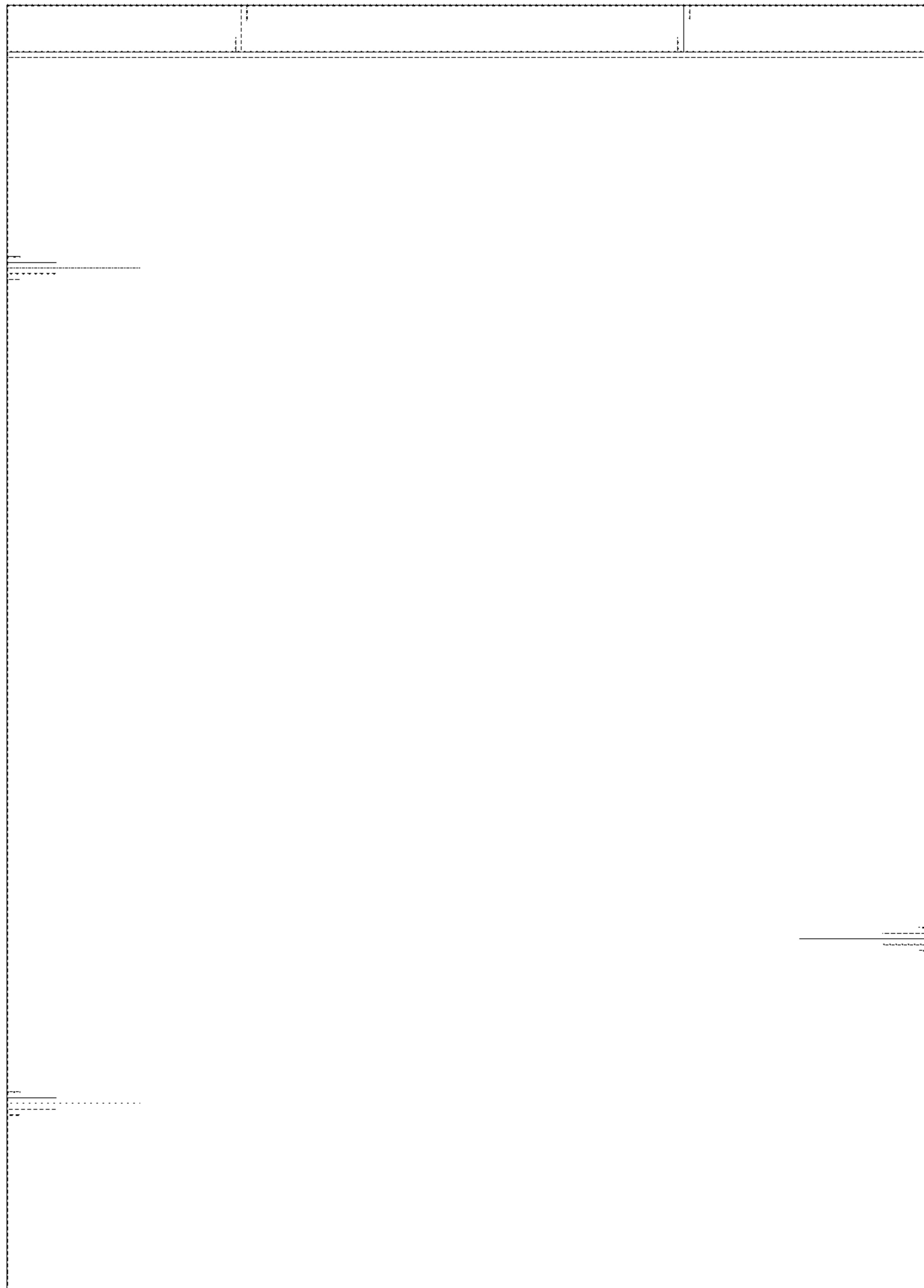


FIG. 4

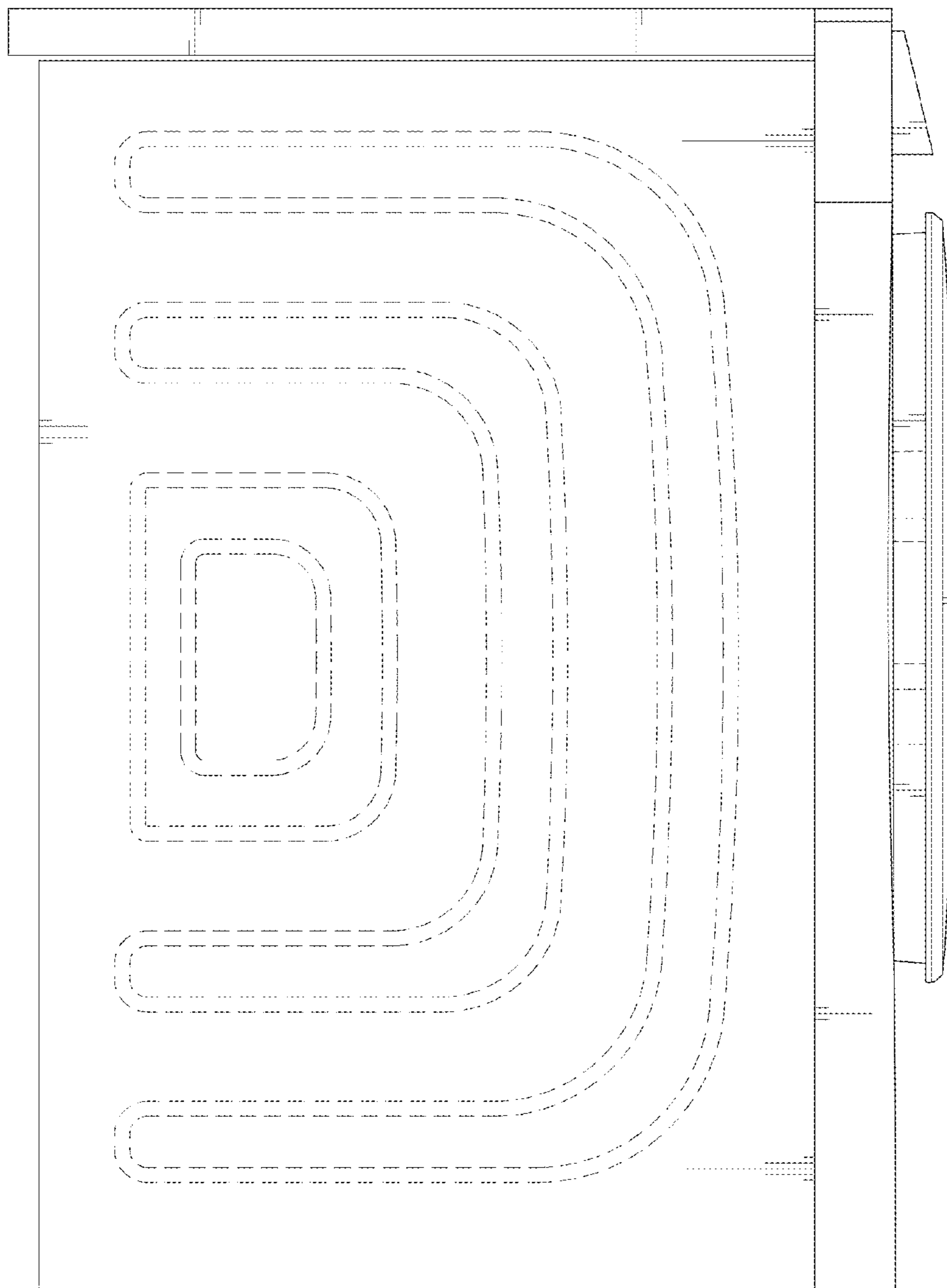


FIG. 5

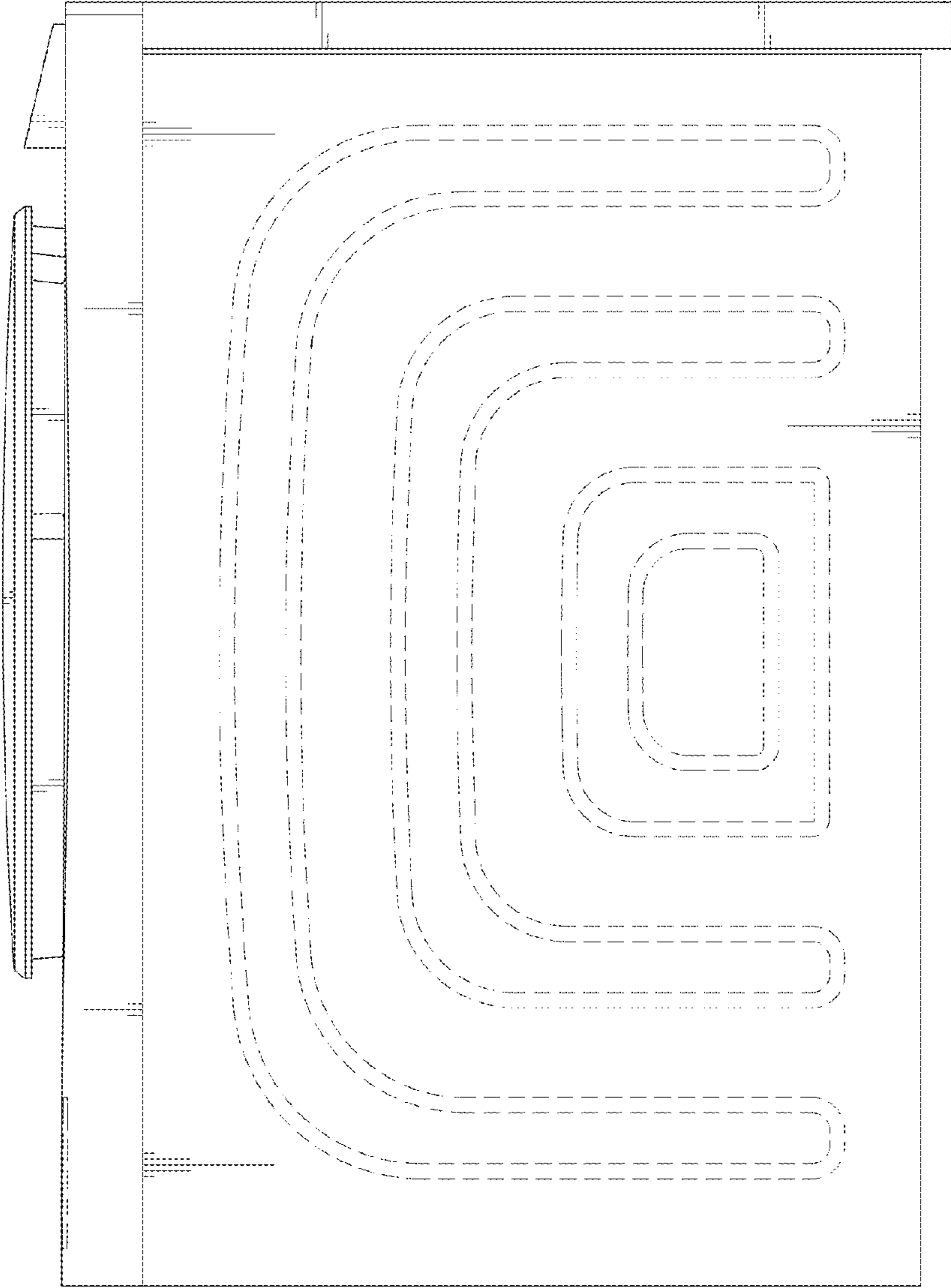


FIG. 6

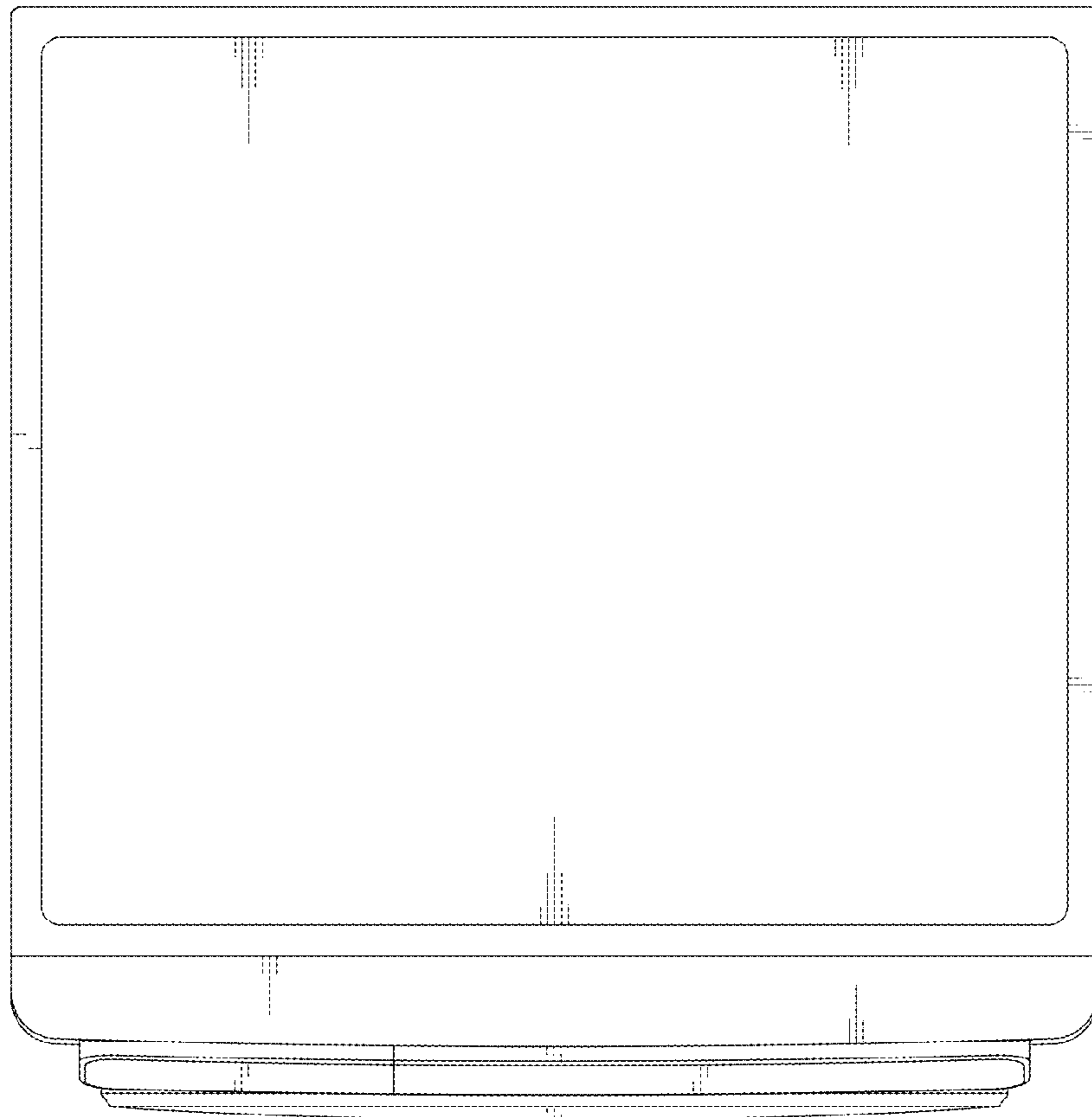


FIG. 7

