



US00D703879S

(12) **United States Design Patent**  
**Green et al.**

(10) **Patent No.:** **US D703,879 S**  
(45) **Date of Patent:** **\*\* Apr. 29, 2014**

(54) **PET GROOMING BRUSH AND VACUUM ATTACHMENT**

(76) Inventors: **Tara J. Green**, El Dorado Hills, CA (US); **Patricia Naygrow**, El Dorado Hills, CA (US); **Daniel A. Green**, El Dorado Hills, CA (US)

(\*\*) Term: **14 Years**

(21) Appl. No.: **29/429,049**

(22) Filed: **Aug. 7, 2012**

(51) **LOC (10) Cl.** ..... **30-99**

(52) **U.S. Cl.**  
USPC ..... **D30/158; D32/33**

(58) **Field of Classification Search**  
USPC ..... D30/158, 159, 199; D32/21-25, 31, 32, D32/33; 15/365, 402, 344, 345, 364, 21.1; 119/600, 601, 608, 609, 611, 612, 625  
See application file for complete search history.

(56) **References Cited**

U.S. PATENT DOCUMENTS

1,859,132	A *	5/1932	Fechtenburg	15/402
2,953,808	A *	9/1960	Carmack	15/365
5,095,853	A	3/1992	Kruger	
5,626,099	A *	5/1997	Staller et al.	119/625
D389,618	S	1/1998	Rosen	
5,768,748	A	6/1998	Silvera et al.	

6,086,682	A	7/2000	Anderson	
7,159,274	B2 *	1/2007	Freidell	15/339
7,509,926	B2	3/2009	Porter et al.	
D621,112	S *	8/2010	Benacquisto	D32/33
D626,297	S *	10/2010	Porter	D30/159
2002/0166512	A1 *	11/2002	Corbett	119/611
2006/0124075	A1	6/2006	Matsumoto	
2007/0113795	A1 *	5/2007	Hajjar	119/608
2009/0126648	A1 *	5/2009	Porter et al.	119/601
2009/0126649	A1 *	5/2009	Porter et al.	119/601
2009/0293225	A1 *	12/2009	Freidell	15/402
2009/0320767	A1 *	12/2009	Werner et al.	119/609
2010/0162965	A1 *	7/2010	Porter et al.	119/601
2011/0259281	A1 *	10/2011	Mak	119/631

\* cited by examiner

*Primary Examiner* — Caron D Veynar  
*Assistant Examiner* — Martie K Holtje

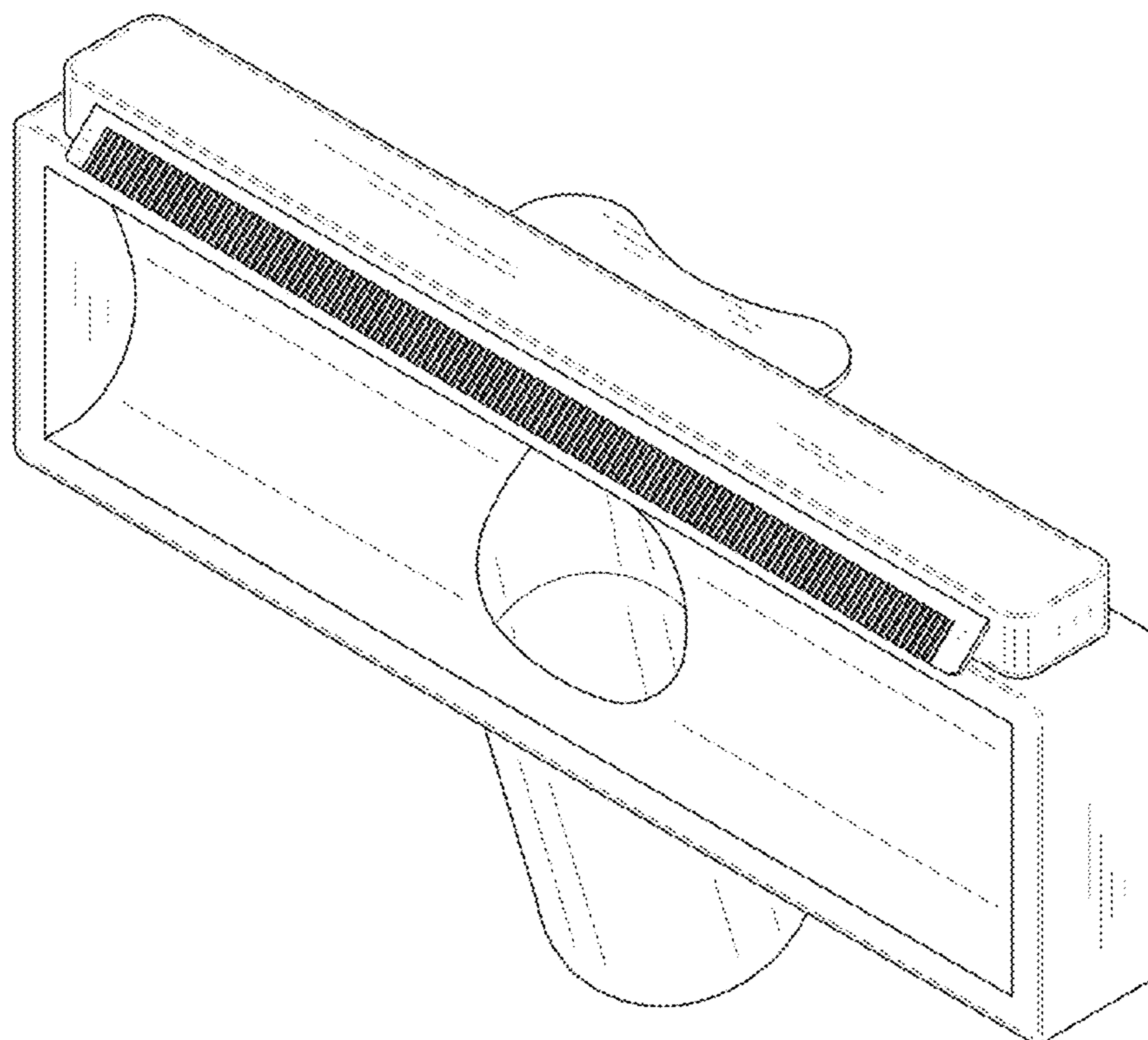
(57) **CLAIM**

The ornamental design for a pet grooming brush and vacuum attachment, as shown and described.

**DESCRIPTION**

FIG. 1 is a bottom plan view of a pet grooming brush and vacuum attachment showing our new design;  
FIG. 2 is a top plan view thereof;  
FIG. 3 is a side elevational view thereof;  
FIG. 4 is a front elevational view thereof;  
FIG. 5 is a rear elevational view thereof; and,  
FIG. 6 is a bottom perspective view thereof.

**1 Claim, 6 Drawing Sheets**



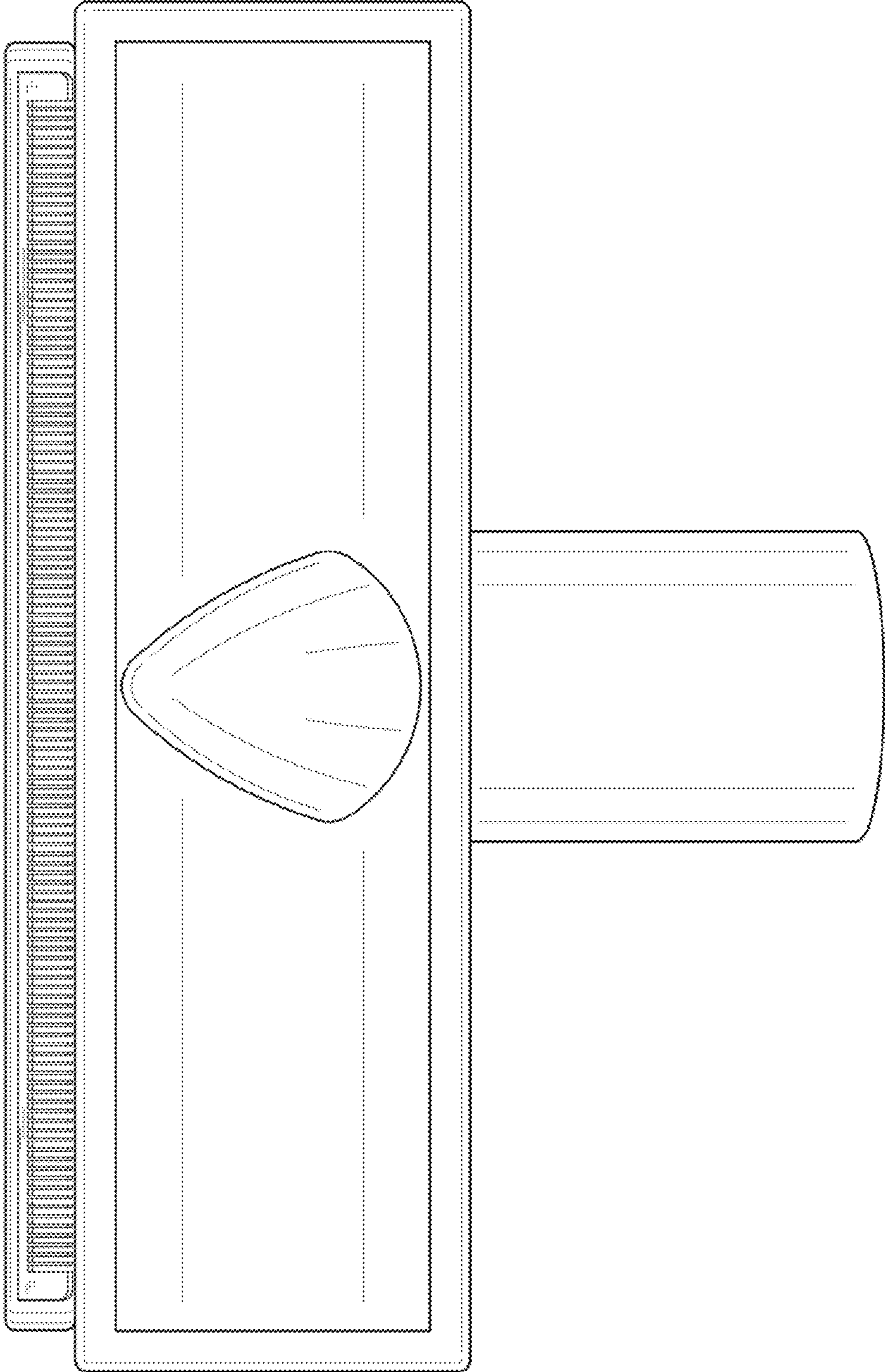


FIG. 1

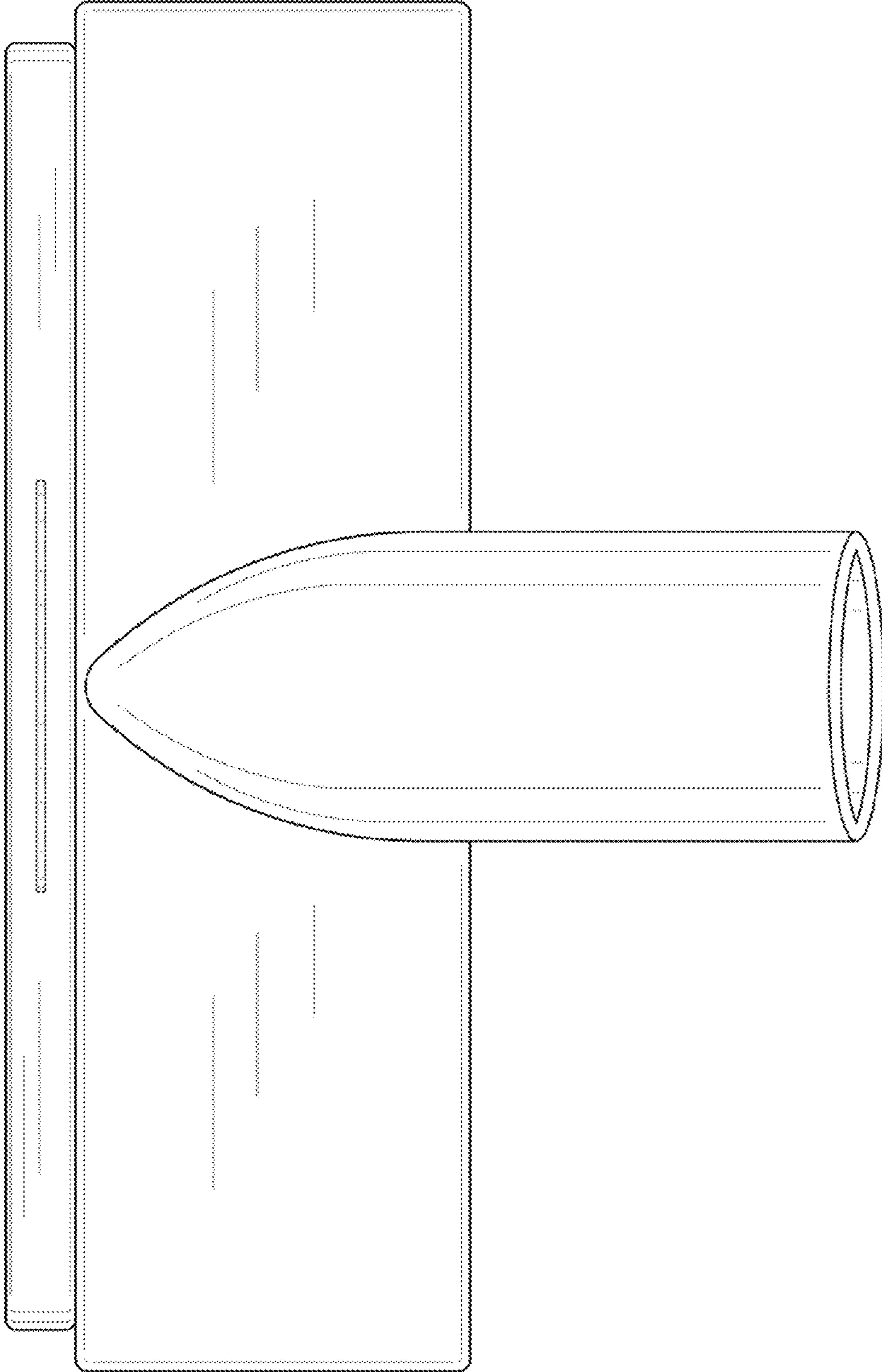


FIG. 2

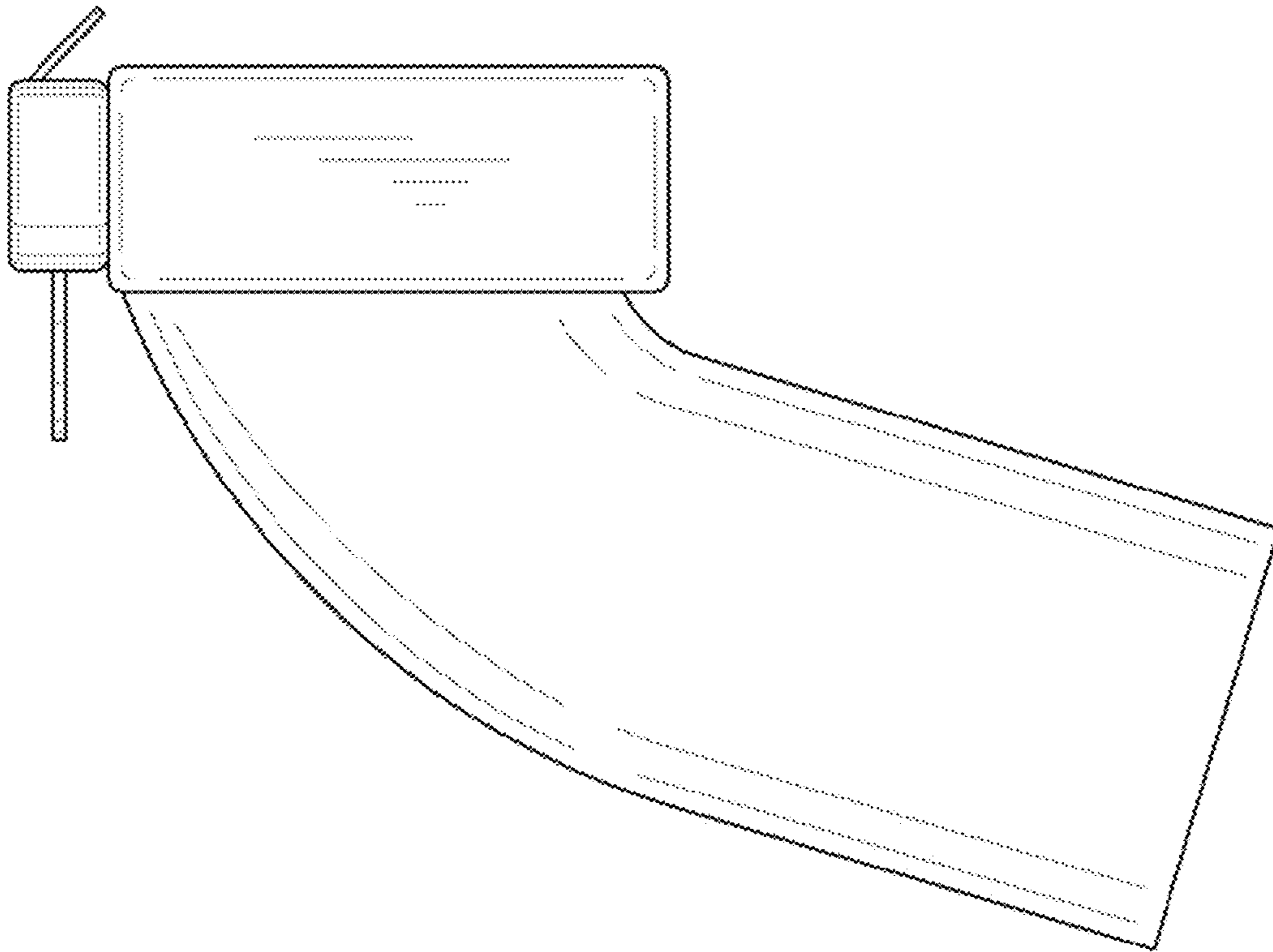


FIG. 3

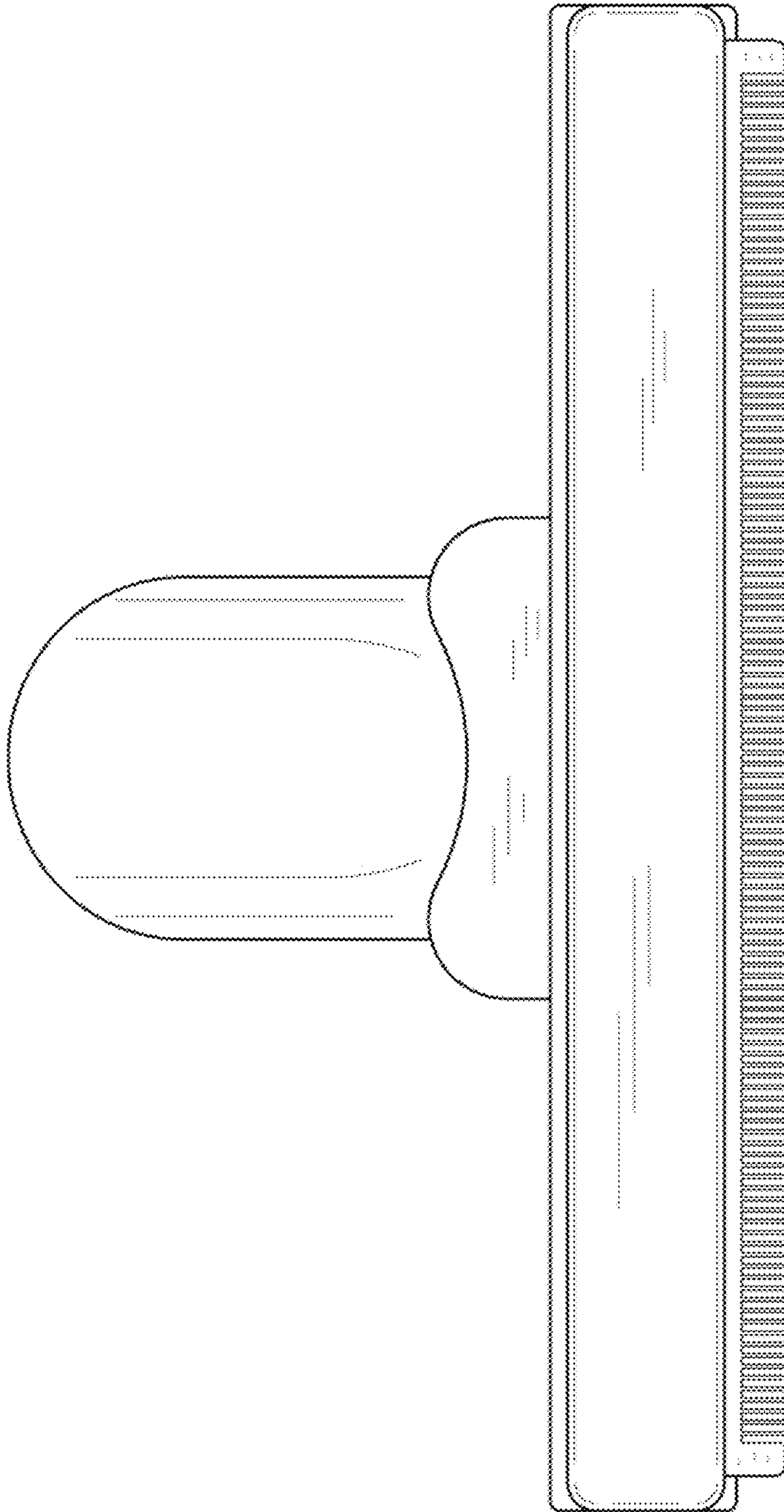


FIG. 4

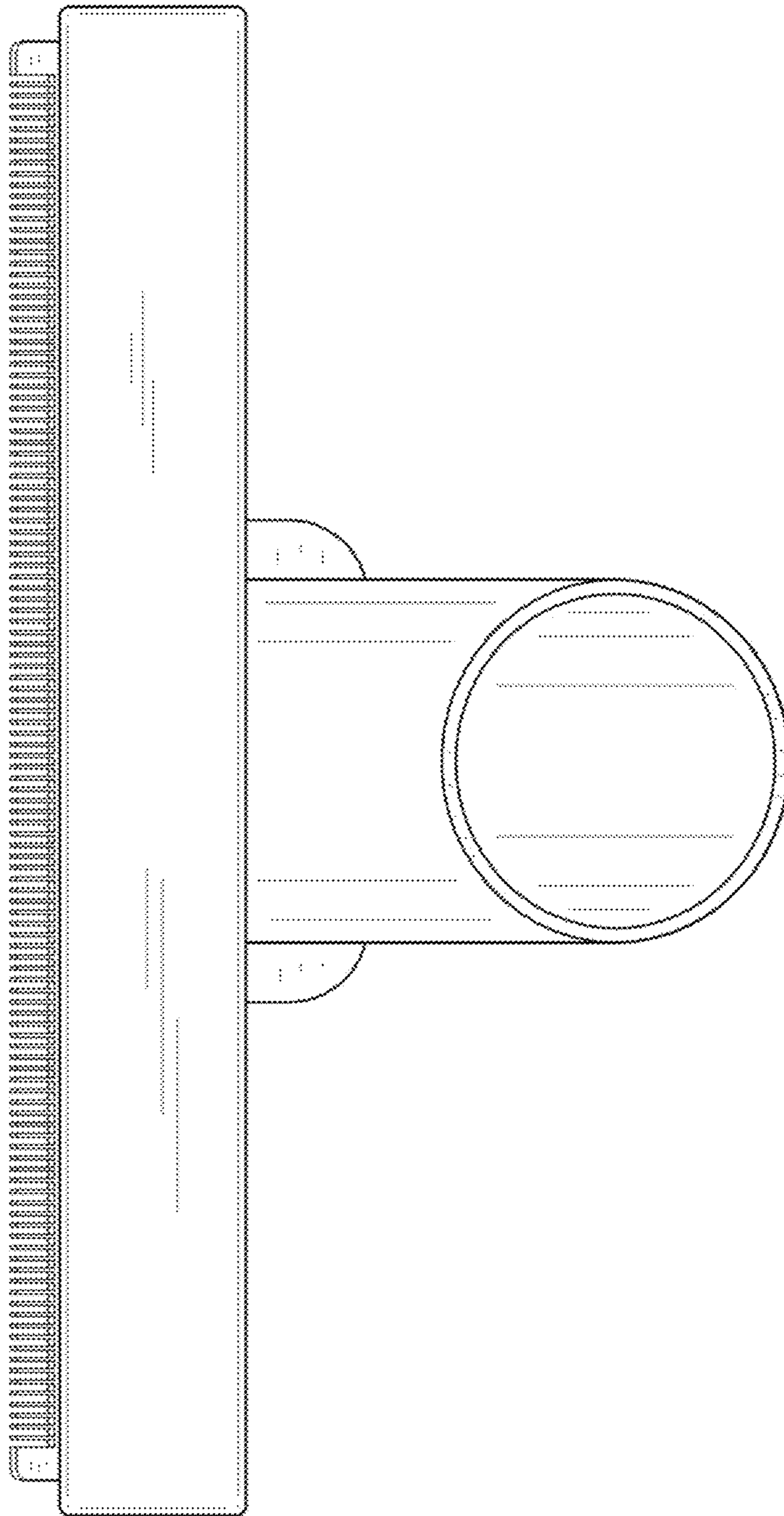


FIG. 5

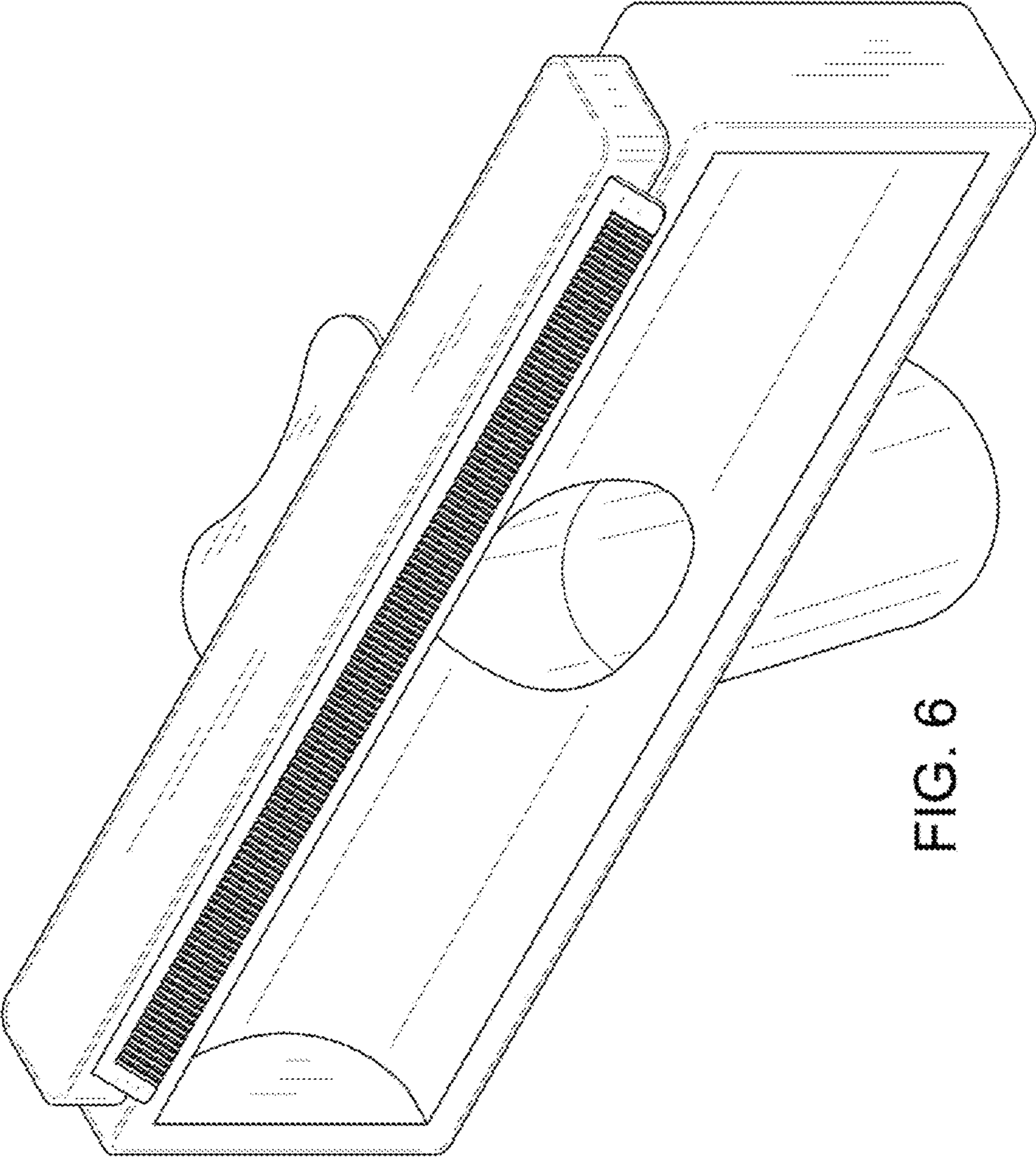


FIG. 6