



US00D703863S

(12) **United States Design Patent**  
**Cho et al.**

(10) **Patent No.:** **US D703,863 S**

(45) **Date of Patent:** **\*\* Apr. 29, 2014**

(54) **LIGHTING ELEMENTS**

(56) **References Cited**

(71) Applicants: **Wavesquare Inc.**, Yongin (KR); **Dowa Electronics Materials Co., Ltd.**, Tokyo (JP)

U.S. PATENT DOCUMENTS

(72) Inventors: **Meoung Whan Cho**, Yongin (KR); **Seog Woo Lee**, Yongin (KR); **Ryuichi Toba**, Tokyo (JP); **Yoshitaka Kadowaki**, Tokyo (JP)

D216,830 S *	3/1970	McNamara	.....	D26/85
D221,474 S *	8/1971	Gore	.....	D26/24
D234,969 S *	4/1975	Ervin	.....	D26/67
D238,094 S *	12/1975	Ervin	.....	D26/24
D238,095 S *	12/1975	Ervin	.....	D26/67
D361,398 S *	8/1995	Neall, III	.....	D26/67
D569,029 S *	5/2008	Guercio	.....	D26/85
D638,977 S *	5/2011	Heyrman	.....	D26/85
D643,964 S *	8/2011	Heyrman	.....	D26/85
D646,424 S *	10/2011	Ho	.....	D26/85
D647,662 S *	10/2011	Verelst et al.	.....	D26/85
D654,614 S *	2/2012	Williamson	.....	D26/85
D662,252 S *	6/2012	Wauters	.....	D26/85
D662,253 S *	6/2012	Wauters	.....	D26/85
D671,255 S *	11/2012	Sonneman	.....	D26/85
D672,081 S *	12/2012	Sprengers	.....	D26/85
D690,871 S *	10/2013	Kitts	.....	D26/85

(73) Assignees: **Wavesquare Inc.**, Yongin (KR); **Dowa Electronics Materials Co., Ltd.**, Tokyo (JP)

(\*\*) Term: **14 Years**

\* cited by examiner

(21) Appl. No.: **29/451,030**

*Primary Examiner* — Kevin Rudzinski

(22) Filed: **Mar. 27, 2013**

(74) *Attorney, Agent, or Firm* — Oliff PLC

(30) **Foreign Application Priority Data**

(57) **CLAIM**

Sep. 28, 2012 (JP) ..... 2012-023820

The ornamental design for lighting elements, as shown and described.

(51) **LOC (10) Cl.** ..... **26-99**

**DESCRIPTION**

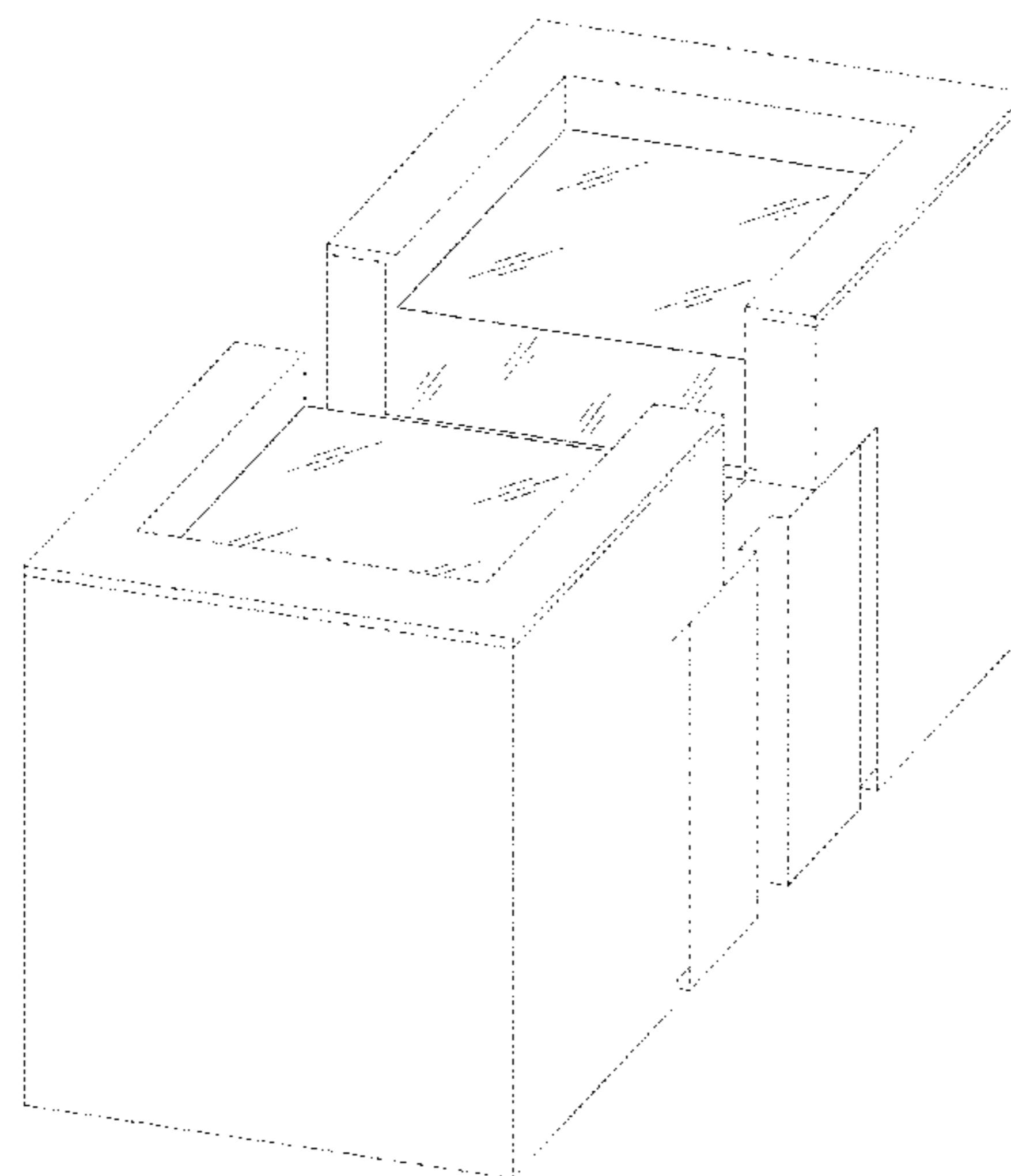
(52) **U.S. Cl.**  
USPC ..... **D26/113**

(58) **Field of Classification Search**  
USPC ..... D26/113, 1, 2, 3, 72, 76, 120, 119, 124, D26/125, 78, 77, 138, 122, 123, 74, 75, 118, D26/68, 62, 65, 127, 128, 142, 66, 69, 73, D26/84, 86, 89, 45, 56, 57, 58, 59, 64, 67, D26/82, 126, 134, 135, 136, 143, 145, 71, D26/121, 129, 131, 132, 137, 140, 141, 151, D26/152, 155, 154; 362/294, 374, 249.02, 362/154, 326; D13/110, 134, 146, 179, 180

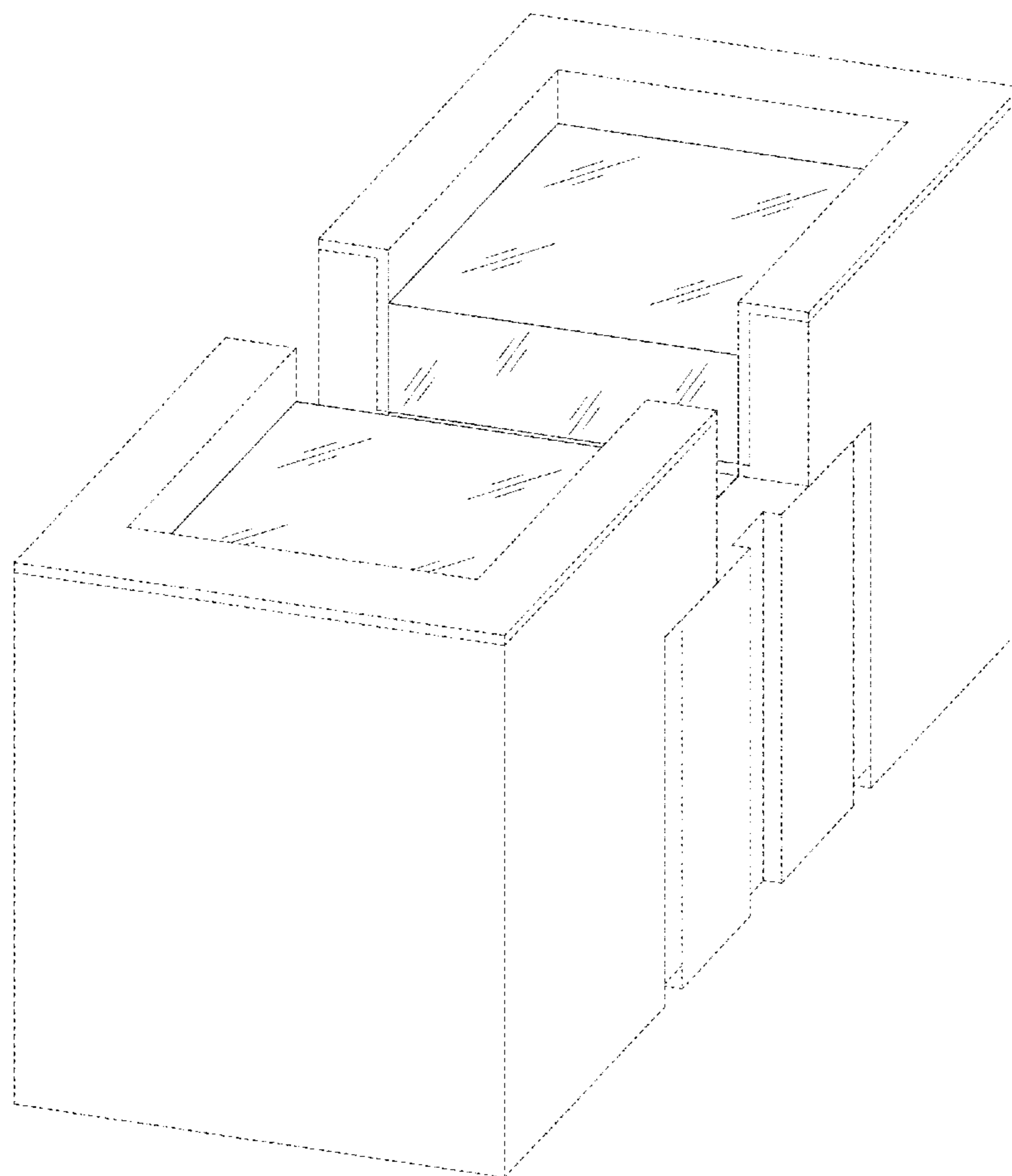
FIG. 1 is a perspective view of lighting elements;  
FIG. 2 is a front view thereof;  
FIG. 3 is a top view thereof;  
FIG. 4 is a right side view thereof, the left side view being a mirror image of the right side view;  
FIG. 5 is a bottom view thereof;  
FIG. 6 is a cross-section view thereof taken along line 6-6 in FIG. 3 of which an internal machinery is omitted; and,  
FIG. 7 is a cross-section view thereof taken along line 7-7 of FIG. 3 of which an internal machinery is omitted.  
The broken lines depict portions of the lighting elements and form no part of the claimed design.  
The dot-dash lines depict a boundary between claimed and unclaimed surfaces, and form no part of the claimed design.

See application file for complete search history.

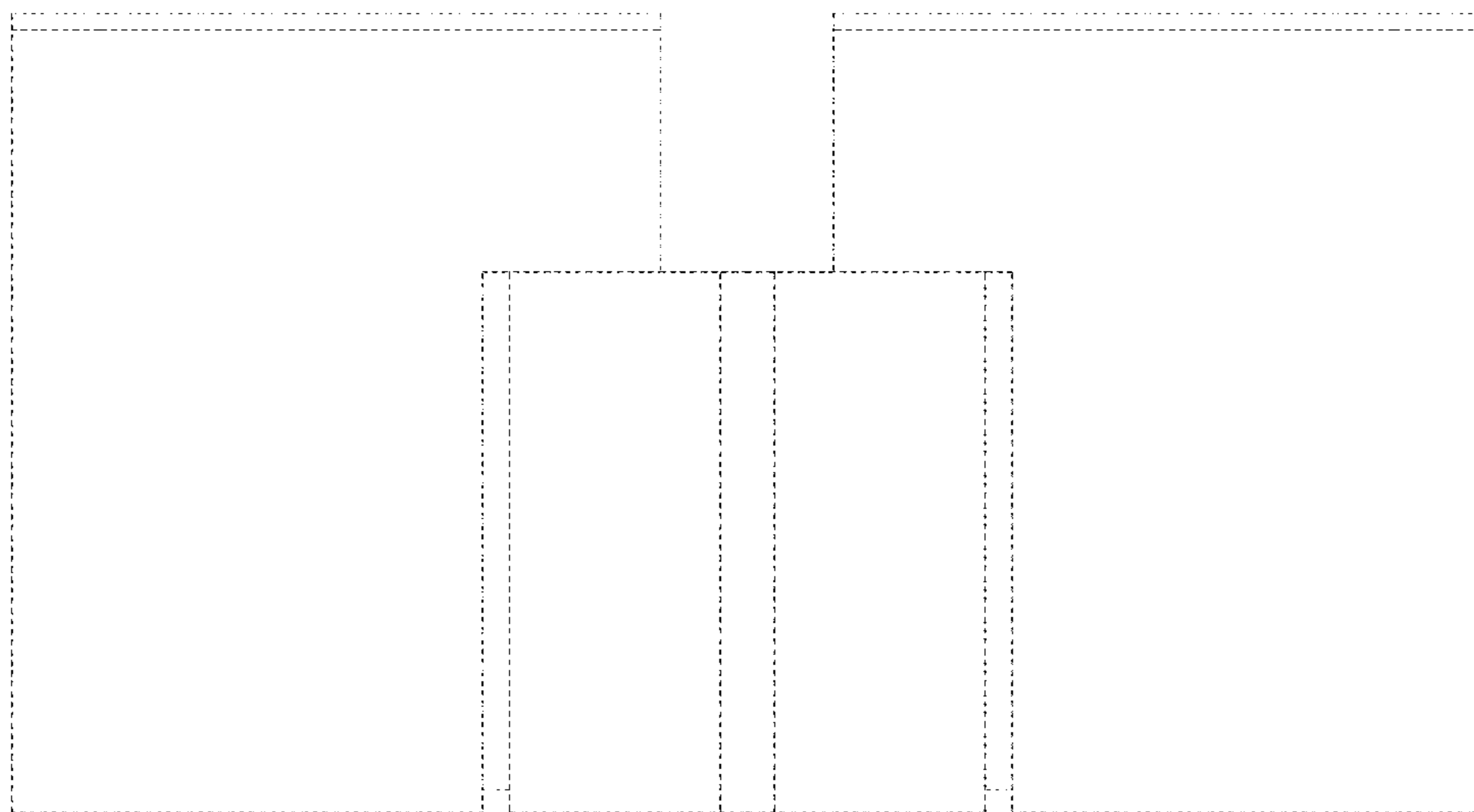
**1 Claim, 7 Drawing Sheets**



*FIG. 1*



*FIG. 2*



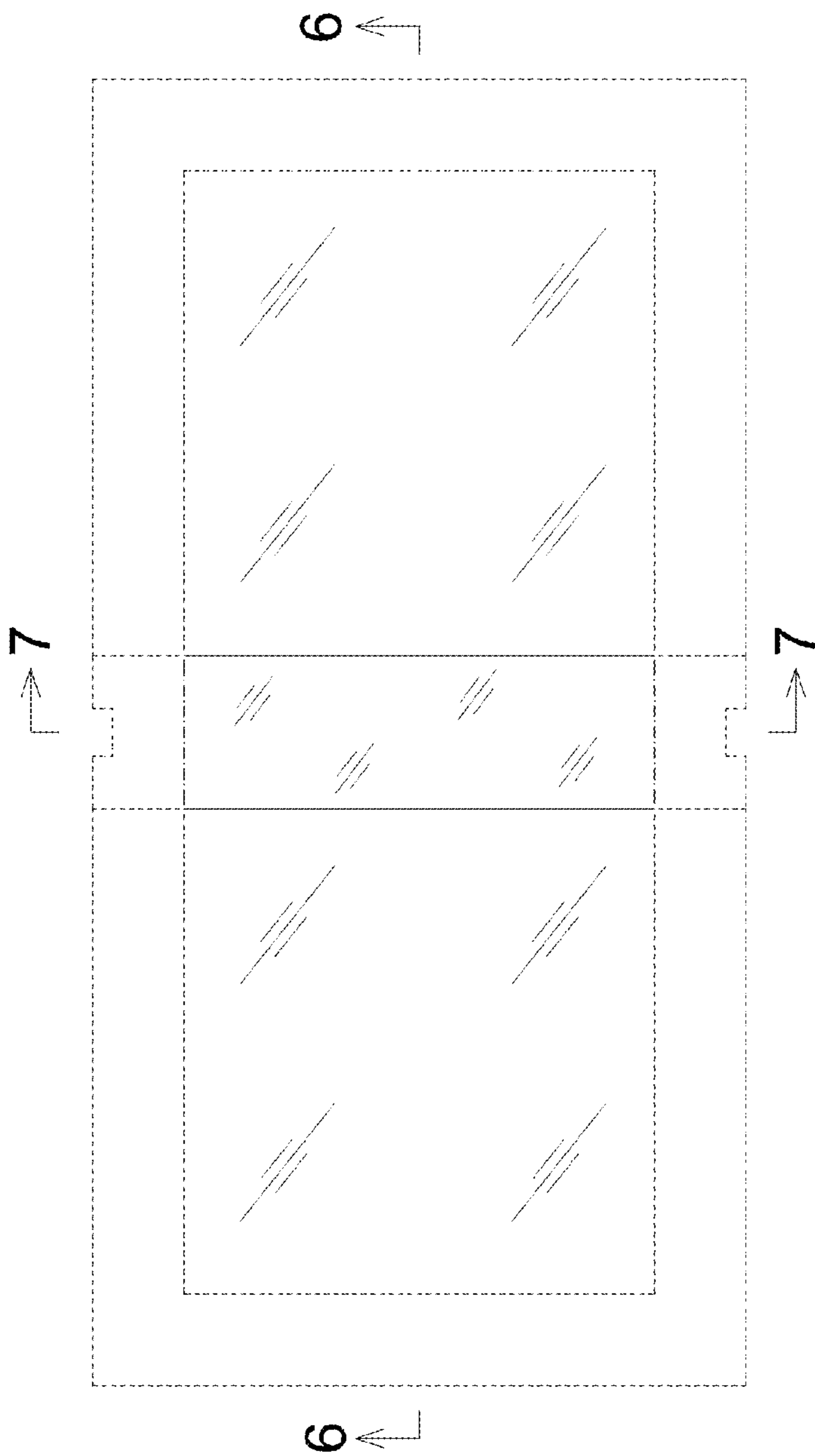
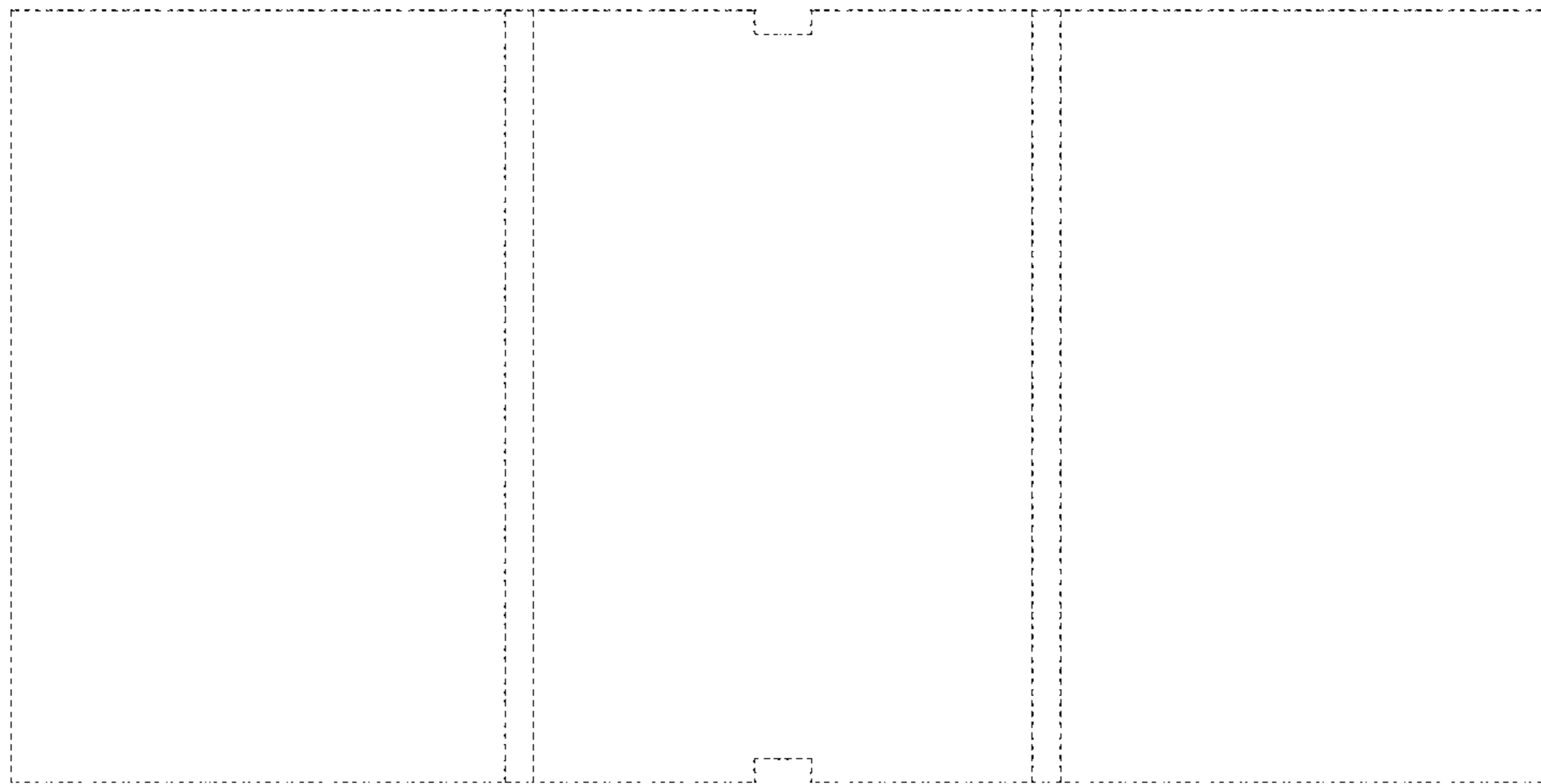


FIG. 3

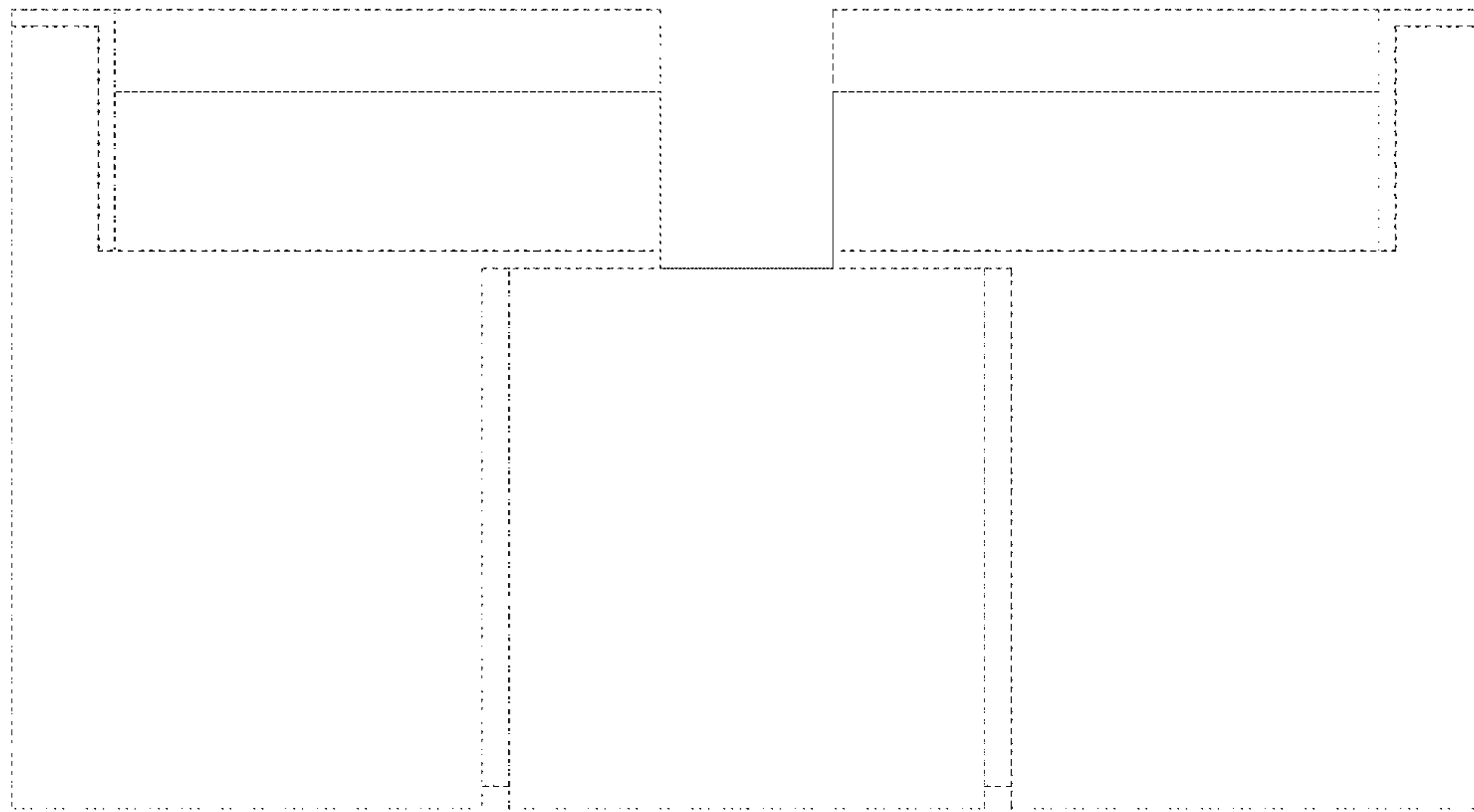
***FIG. 4***



*FIG. 5*



*FIG. 6*



*FIG. 7*

