



US00D703862S

(12) **United States Design Patent**
Cho et al.

(10) **Patent No.:** **US D703,862 S**
(45) **Date of Patent:** **** Apr. 29, 2014**

(54) **LIGHTING ELEMENTS**

(71) Applicants: **Wavesquare Inc.**, Yongin (KR); **Dowa Electronics Materials Co., Ltd.**, Tokyo (JP)

(72) Inventors: **Meoung Whan Cho**, Yongin (KR); **Seog Woo Lee**, Yongin (KR); **Ryuichi Toba**, Tokyo (JP); **Yoshitaka Kadowaki**, Tokyo (JP)

(73) Assignees: **Wavesquare Inc.**, Yongin (KR); **Dowa Electronics Materials Co., Ltd.**, Tokyo (JP)

(**) Term: **14 Years**

(21) Appl. No.: **29/451,027**

(22) Filed: **Mar. 27, 2013**

(30) **Foreign Application Priority Data**

Sep. 28, 2012 (JP) 2012-023821

(51) **LOC (10) Cl.** **26-99**

(52) **U.S. Cl.**
USPC **D26/113**

(58) **Field of Classification Search**

USPC D26/113, 1, 2, 3, 72, 76, 120, 119, 124, D26/125, 78, 77, 138, 122, 123, 74, 75, 118, D26/68, 62, 65, 127, 128, 142, 66, 69, 73, D26/84, 86, 89, 45, 56, 57, 58, 59, 64, 67, D26/82, 126, 134, 135, 136, 143, 145, 71, D26/121, 129, 131, 132, 137, 140, 141, 151, D26/152, 155, 154; 362/294, 374, 249.02, 362/154, 326; D13/110, 134, 146, 179, 180
See application file for complete search history.

(56) **References Cited**

U.S. PATENT DOCUMENTS

D216,830 S * 3/1970 McNamara D26/85
D221,474 S * 8/1971 Gore D26/24

D234,969 S * 4/1975 Ervin D26/67
D238,094 S * 12/1975 Ervin D26/24
D238,095 S * 12/1975 Ervin D26/67
D361,398 S * 8/1995 Neall, III D26/67
D569,029 S * 5/2008 Guercio D26/85
D638,977 S * 5/2011 Heyrman D26/85
D643,964 S * 8/2011 Heyrman D26/85
D646,424 S * 10/2011 Ho D26/85
D647,662 S * 10/2011 Verelst et al. D26/85
D654,614 S * 2/2012 Williamson D26/85
D662,252 S * 6/2012 Wauters D26/85
D662,253 S * 6/2012 Wauters D26/85
D671,255 S * 11/2012 Sonneman D26/85
D672,081 S * 12/2012 Sprengers D26/85
D690,871 S * 10/2013 Kitts D26/85

* cited by examiner

Primary Examiner — Kevin Rudzinski

(74) *Attorney, Agent, or Firm* — Oliff PLC

(57) **CLAIM**

The ornamental design for lighting elements, as shown and described.

DESCRIPTION

FIG. 1 is a perspective view of lighting elements;
FIG. 2 is a front view thereof;
FIG. 3 is a top view thereof;
FIG. 4 is a right side view thereof, the left side view being a mirror image of the right side view;
FIG. 5 is a bottom view thereof;
FIG. 6 is a cross-section view thereof taken along line 6-6 in FIG. 3 of which an internal machinery is omitted; and,
FIG. 7 is a cross-section view thereof taken along line 7-7 of FIG. 3 of which an internal machinery is omitted.
The broken lines depict portions of the lighting elements and form no part of the claimed design.
The dot-dash lines depict a boundary between claimed and unclaimed surfaces, and form no part of the claimed design.

1 Claim, 7 Drawing Sheets

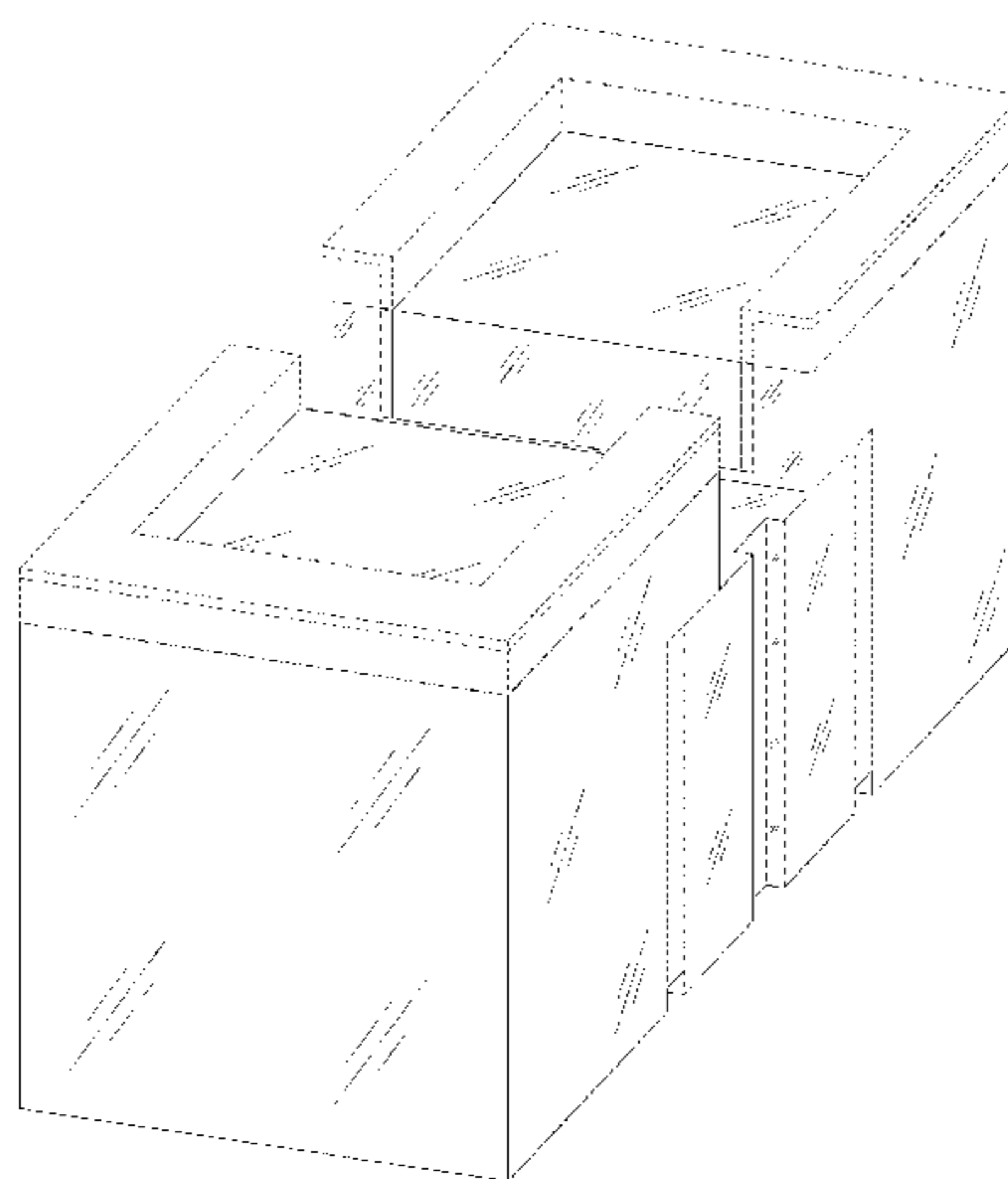


FIG. 1

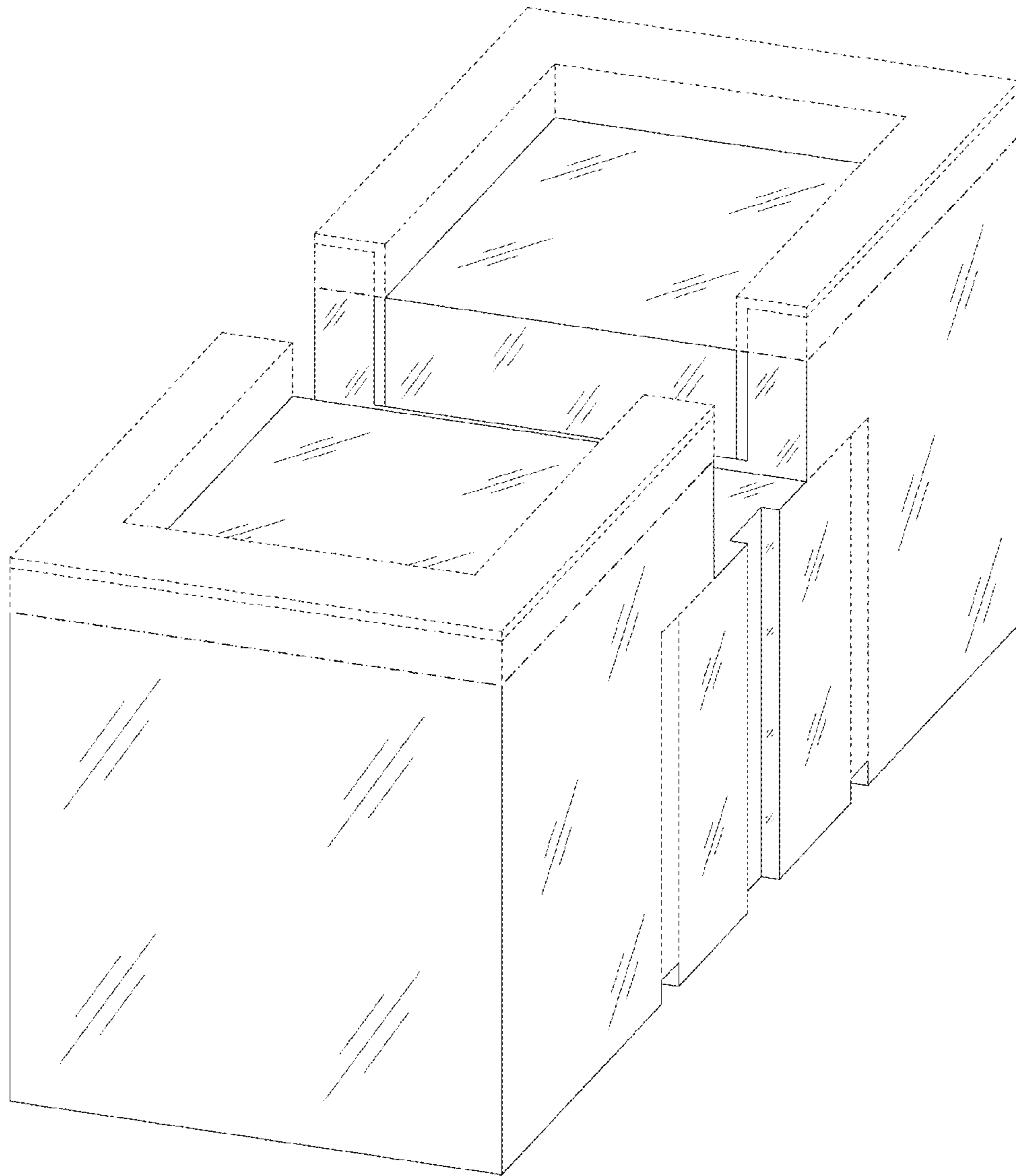
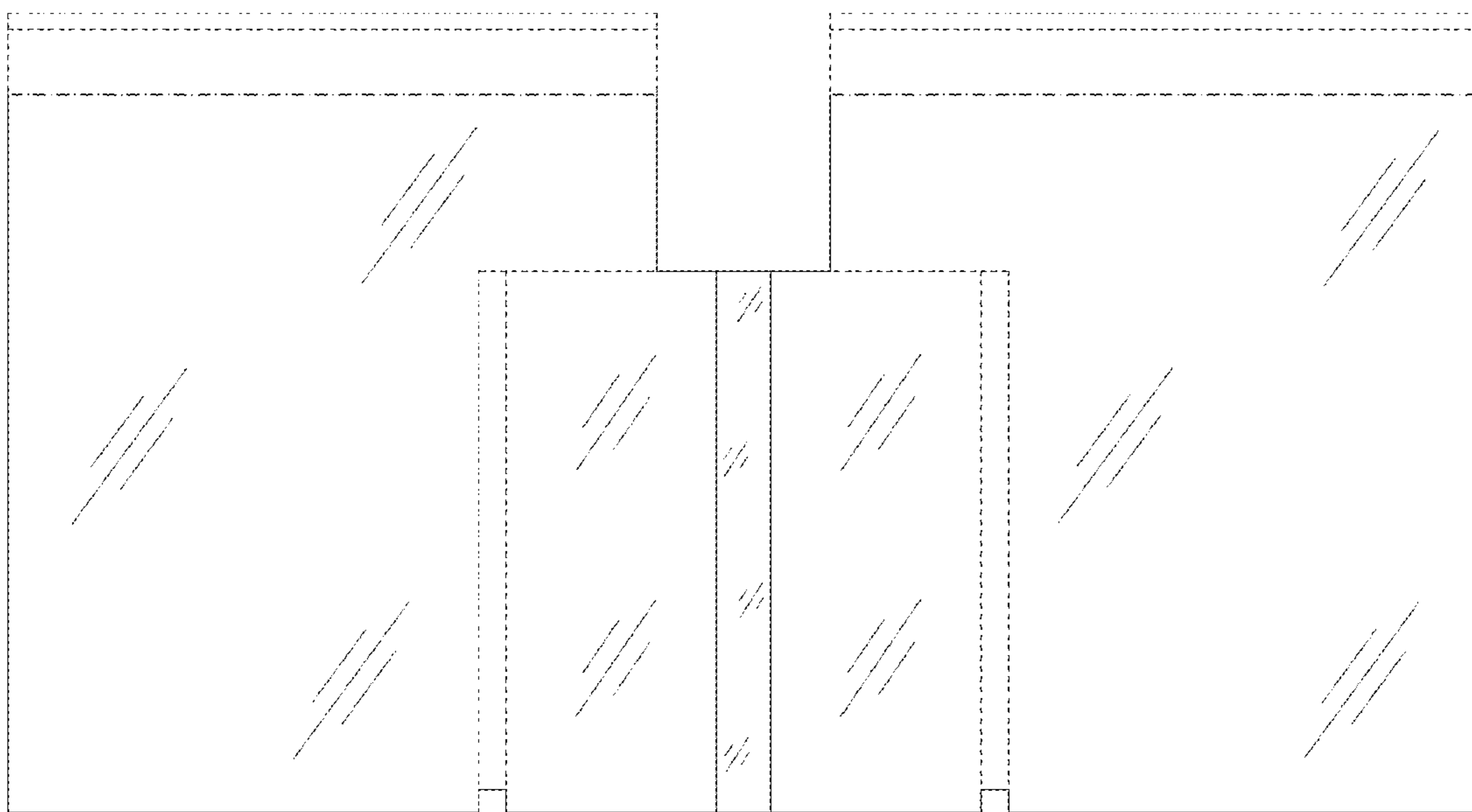


FIG. 2



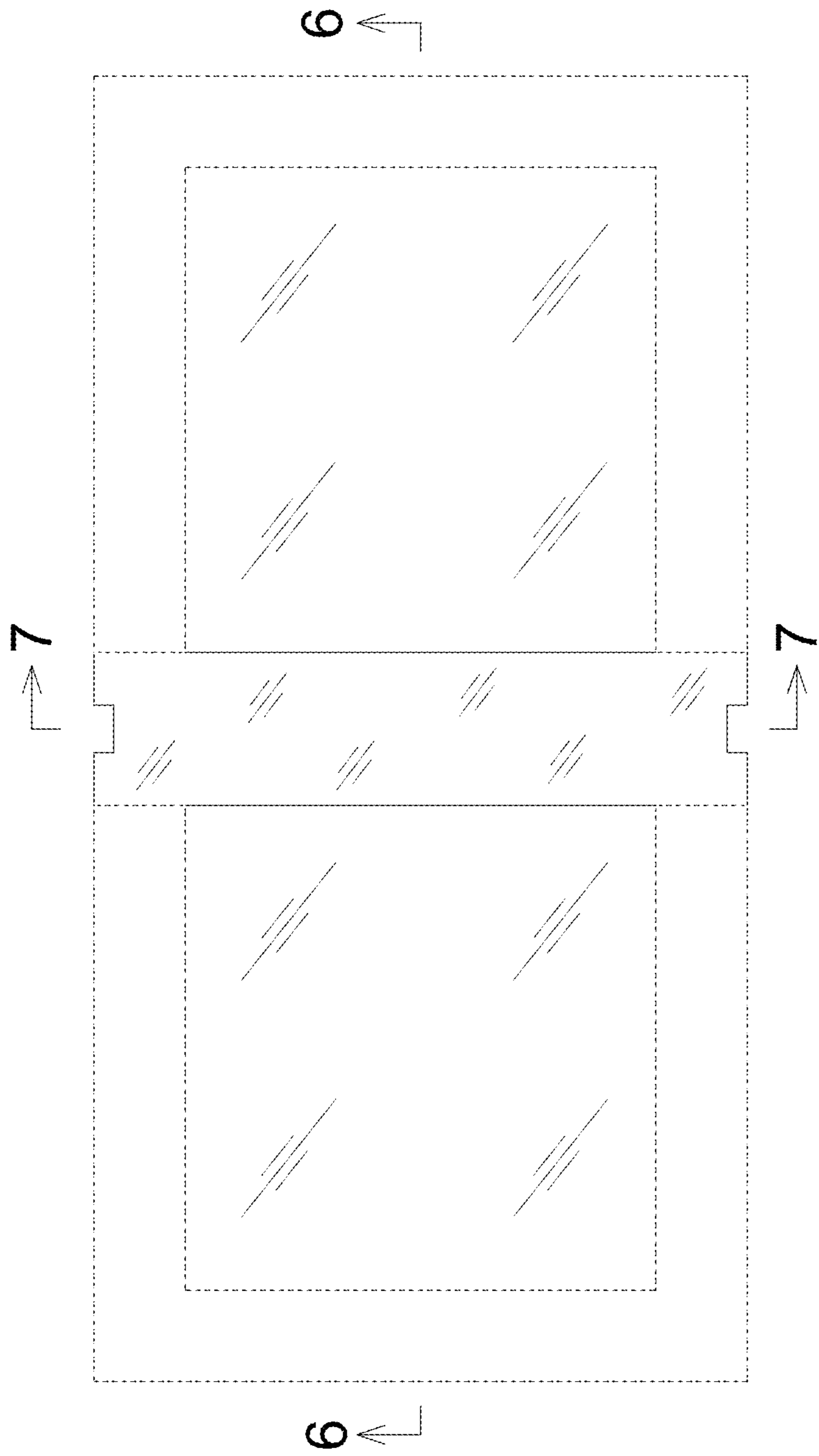


FIG. 3

FIG. 4

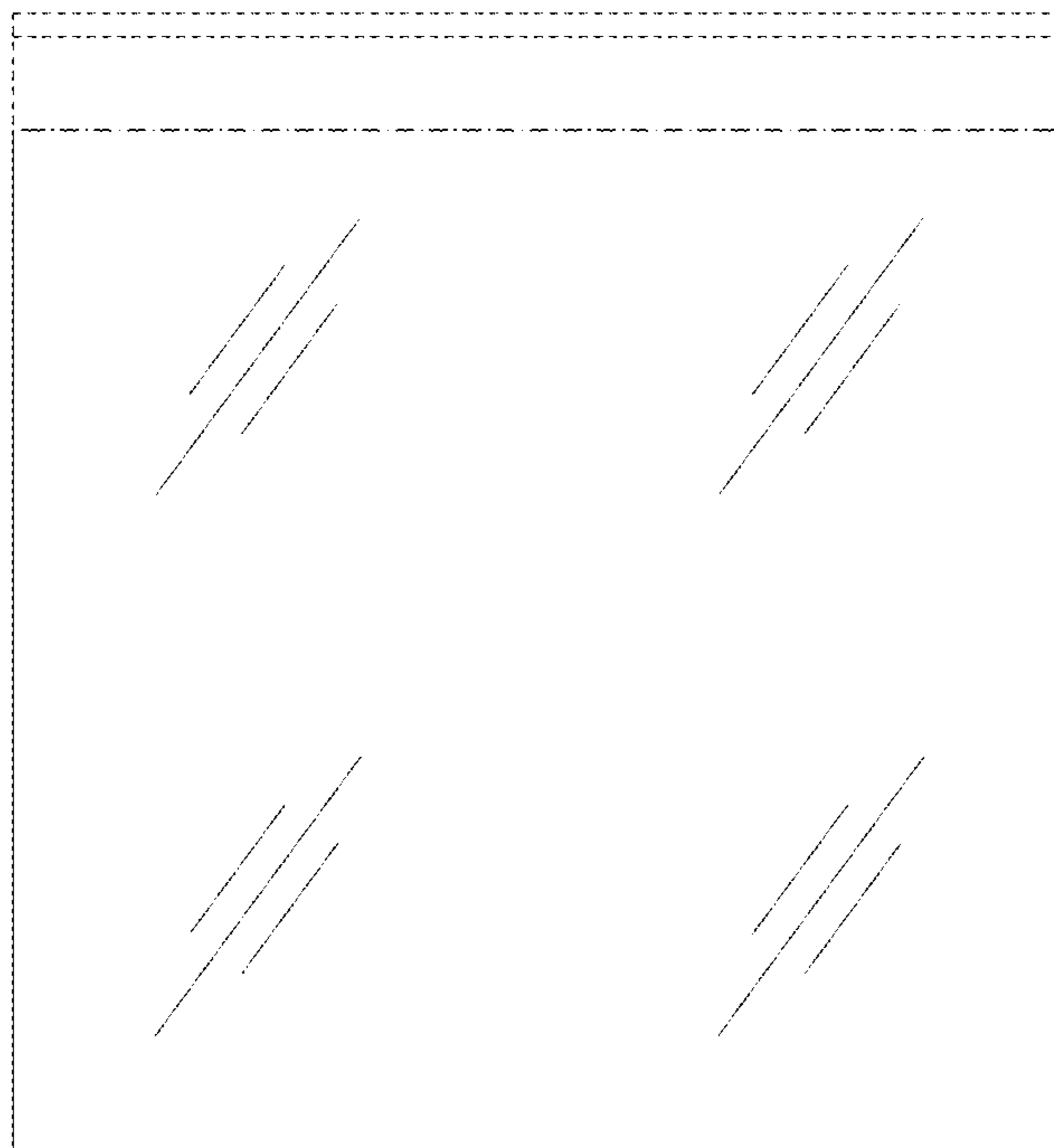


FIG. 5

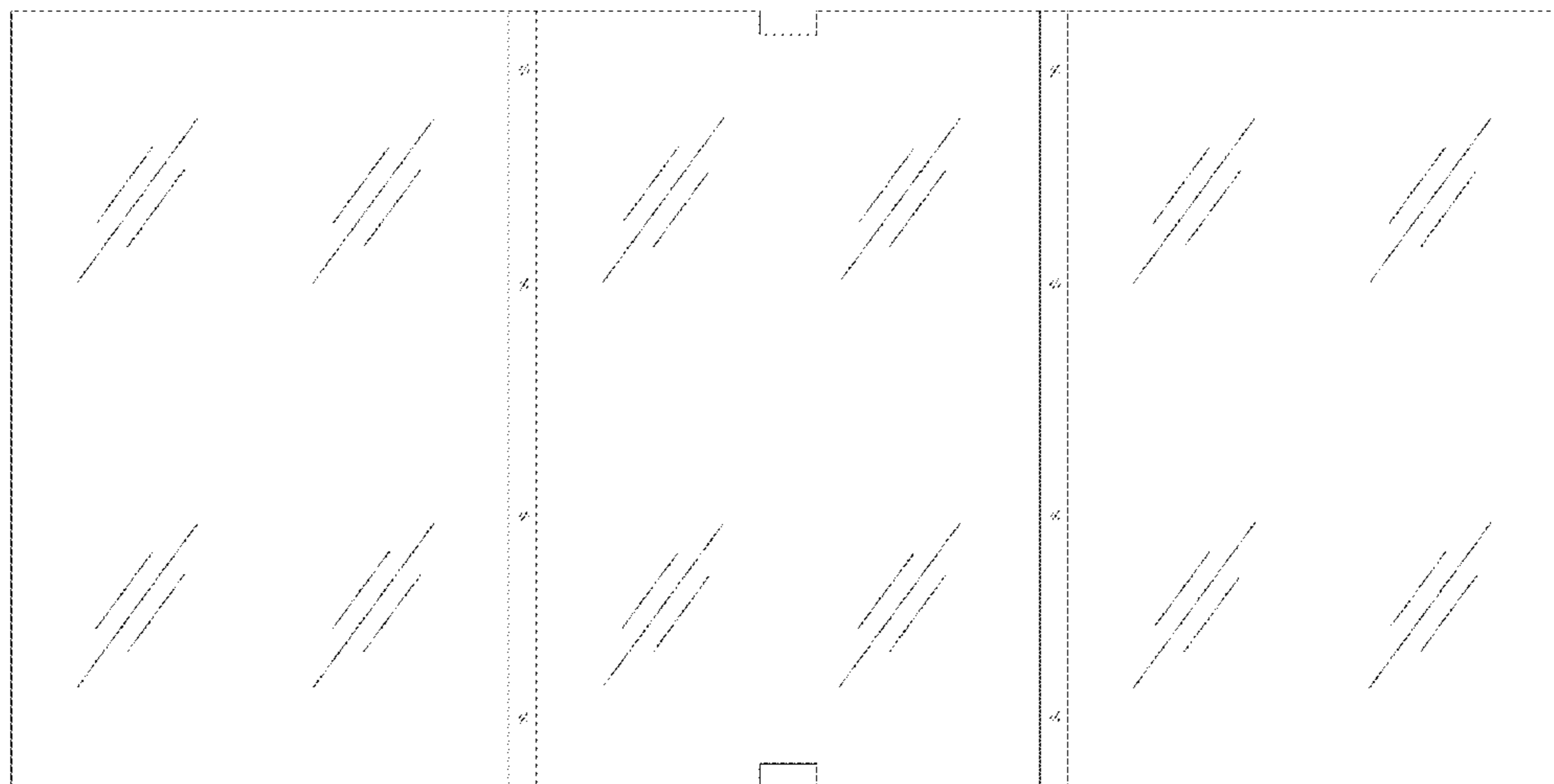


FIG. 6

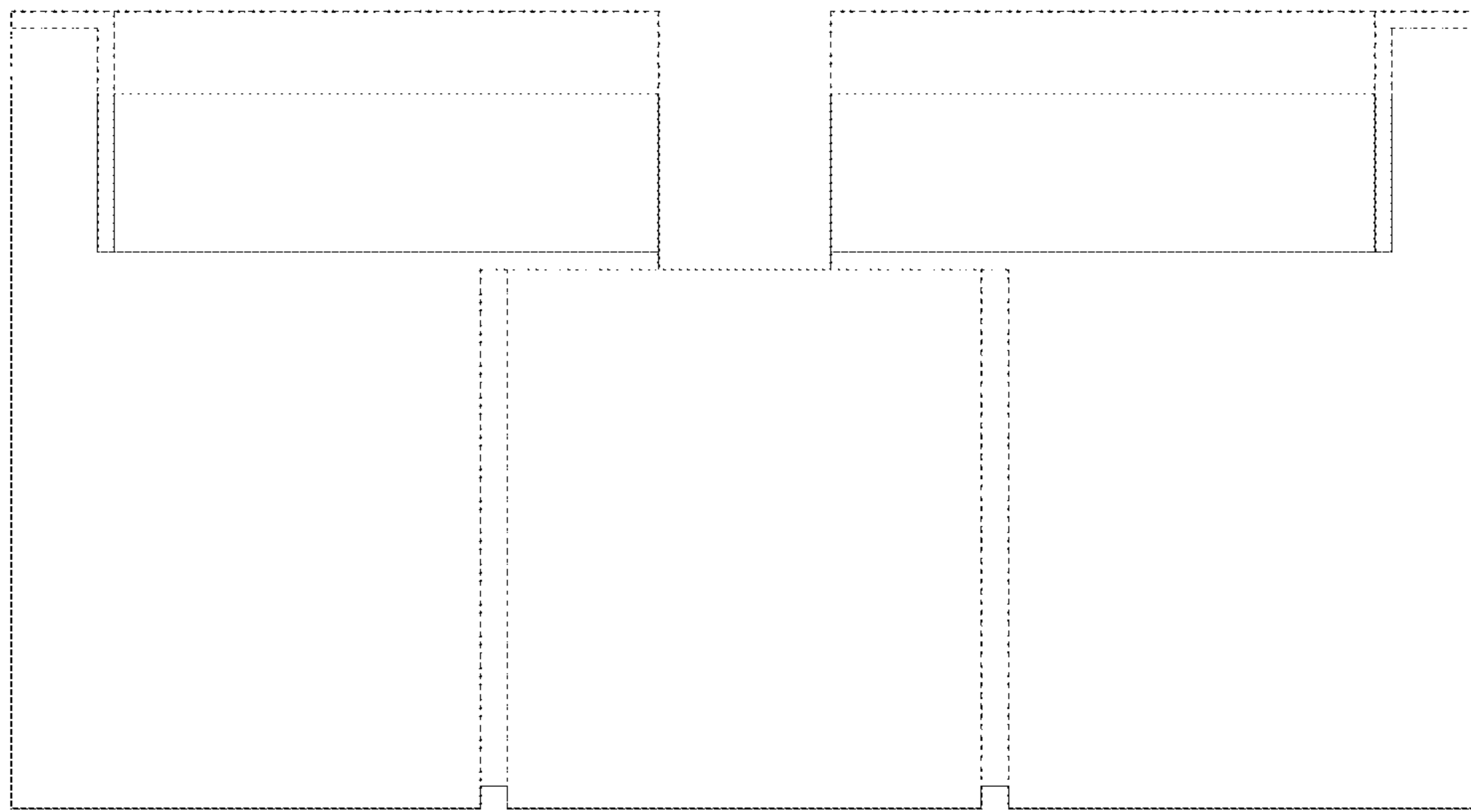


FIG. 7

