



US00D703861S

(12) **United States Design Patent**  
**Holland et al.**

(10) **Patent No.:** **US D703,861 S**  
(45) **Date of Patent:** **\*\* Apr. 29, 2014**

(54) **CANOPY LIGHT FIXTURE**

(75) Inventors: **Eric Holland**, Indian Harbour Beach, FL (US); **Ryan Kelley**, Denver, CO (US); **Shane Sullivan**, Indialantic, FL (US); **David Henderson**, Indialantic, FL (US); **Ricardo Romeu**, Melbourne, FL (US); **Emilio Flores**, Melbourne, FL (US); **Wei Sun**, Indialantic, FL (US)

(73) Assignee: **Lighting Science Group Corporation**, Satellite Beach, FL (US)

(\*\*) Term: **14 Years**

(21) Appl. No.: **29/420,287**

(22) Filed: **May 7, 2012**

(51) **LOC (10) Cl.** ..... **26-03**

(52) **U.S. Cl.**  
USPC ..... **D26/89**

(58) **Field of Classification Search**  
USPC ..... D26/71, 72, 85, 89; 362/147, 294, 362, 362/373

See application file for complete search history.

(56) **References Cited**

**U.S. PATENT DOCUMENTS**

D308,423	S *	6/1990	Galipeau et al.	.....	D26/67
5,537,304	A *	7/1996	Klaus	.....	362/373
D406,916	S *	3/1999	Klaus	.....	D26/72
D477,104	S *	7/2003	Wang	.....	D26/72
D481,822	S *	11/2003	Wang	.....	D26/85
7,152,997	B1 *	12/2006	Kovacik et al.	.....	362/249.05
D624,686	S *	9/2010	Toney et al.	.....	D26/72

D641,908	S *	7/2011	McKee	.....	D26/71
8,215,799	B2 *	7/2012	Vanden Eynden et al.	...	362/294
D667,587	S *	9/2012	Wilcox et al.	.....	D26/89
8,303,130	B2 *	11/2012	Sayers et al.	.....	362/147
D676,592	S *	2/2013	Salessi	.....	D26/89
8,382,340	B2 *	2/2013	Boyer et al.	.....	362/368
8,465,178	B2 *	6/2013	Wilcox et al.	.....	362/294
D685,941	S *	7/2013	Boyer et al.	.....	D26/67

\* cited by examiner

*Primary Examiner* — Clare E Heflin

(74) *Attorney, Agent, or Firm* — Mark R. Malek; Zies Widerman & Malek

(57) **CLAIM**

The ornamental design for a canopy light fixture, as shown and described.

**DESCRIPTION**

FIG. 1 is a top perspective view of a canopy light fixture according to an embodiment of the present invention.

FIG. 2 is bottom perspective view of the canopy light fixture illustrated in FIG. 1.

FIG. 3 is a bottom plan view of the canopy light fixture illustrated in FIG. 1.

FIG. 4 is a top plan view of the canopy light fixture illustrated in FIG. 1.

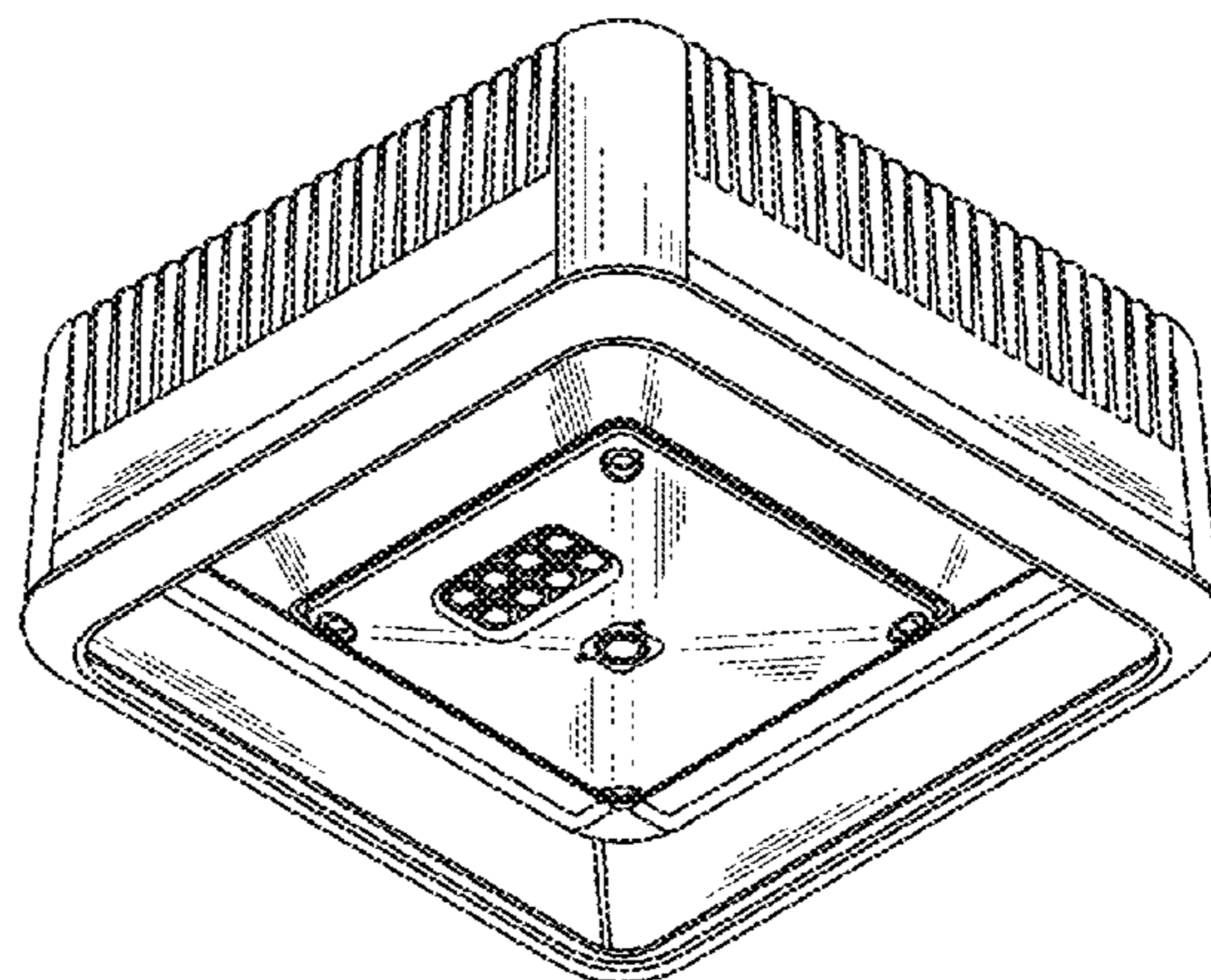
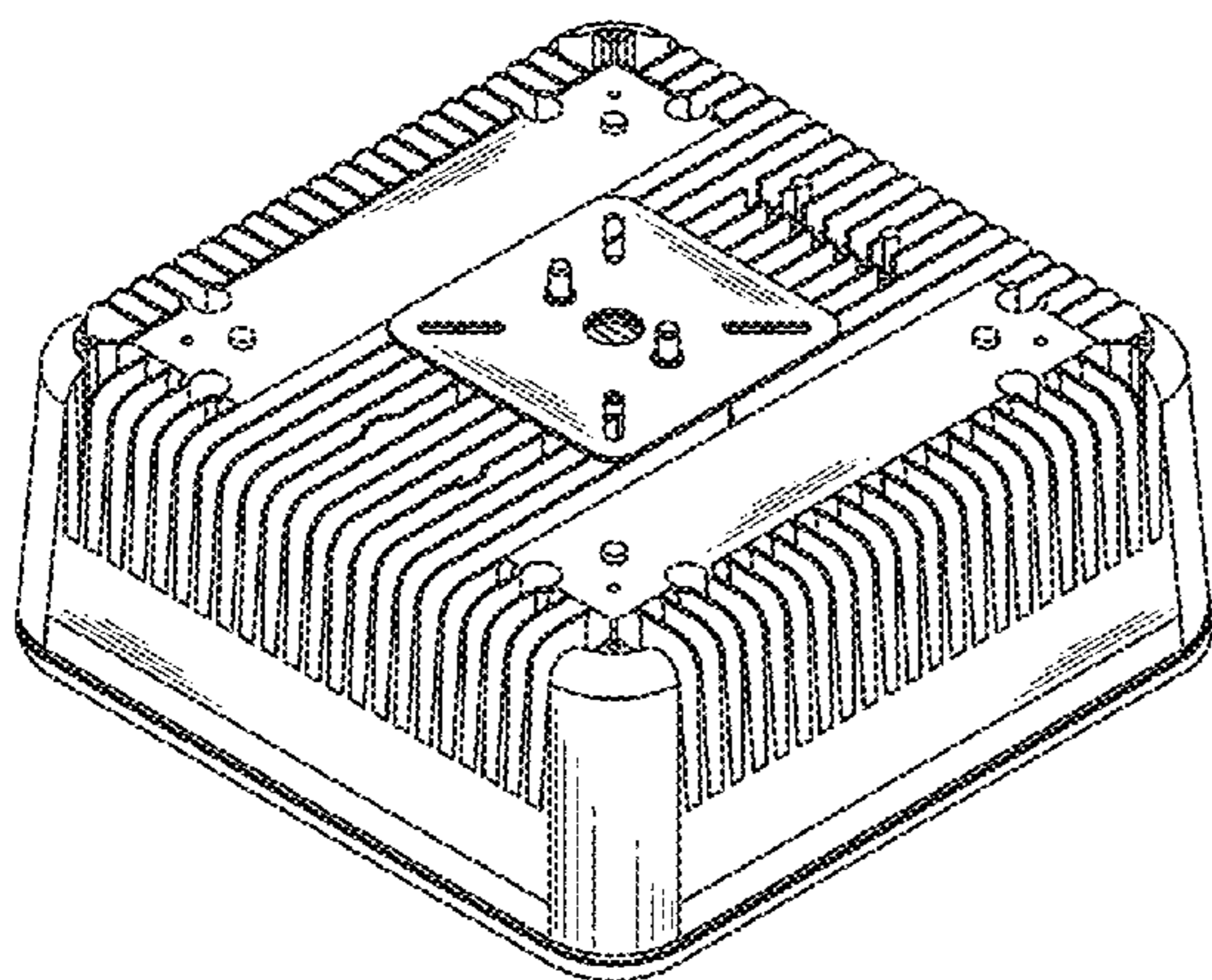
FIG. 5 is a side elevation view of the canopy light fixture illustrated in FIG. 1.

FIG. 6 is an exploded perspective view of the canopy light fixture illustrated in FIG. 1.

FIG. 7 is a top partial exploded perspective view of the canopy light fixture illustrated in FIG. 1; and,

FIG. 8 is a bottom partial exploded perspective view of the canopy light fixture illustrated in FIG. 1.

**1 Claim, 5 Drawing Sheets**



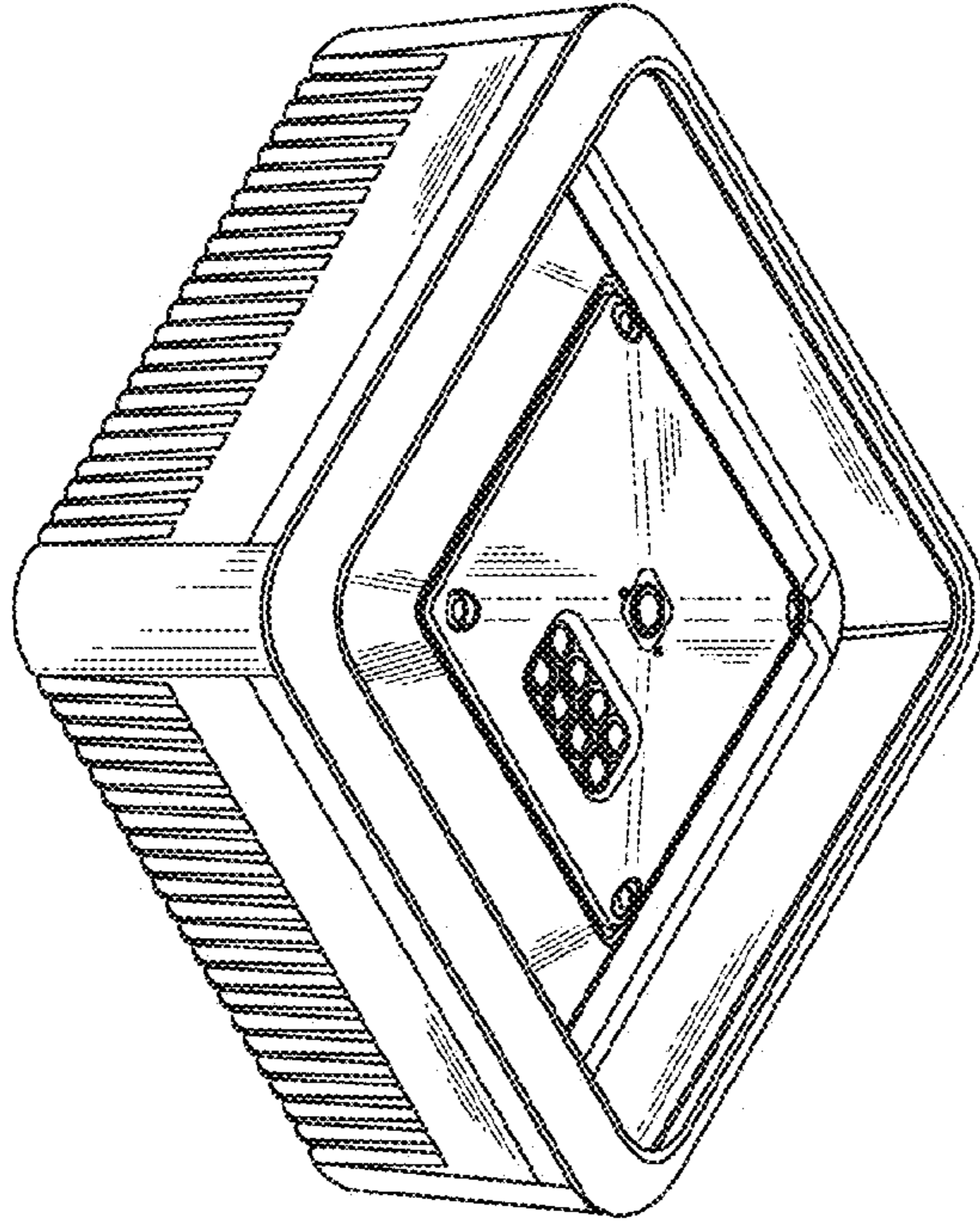


Fig. 2

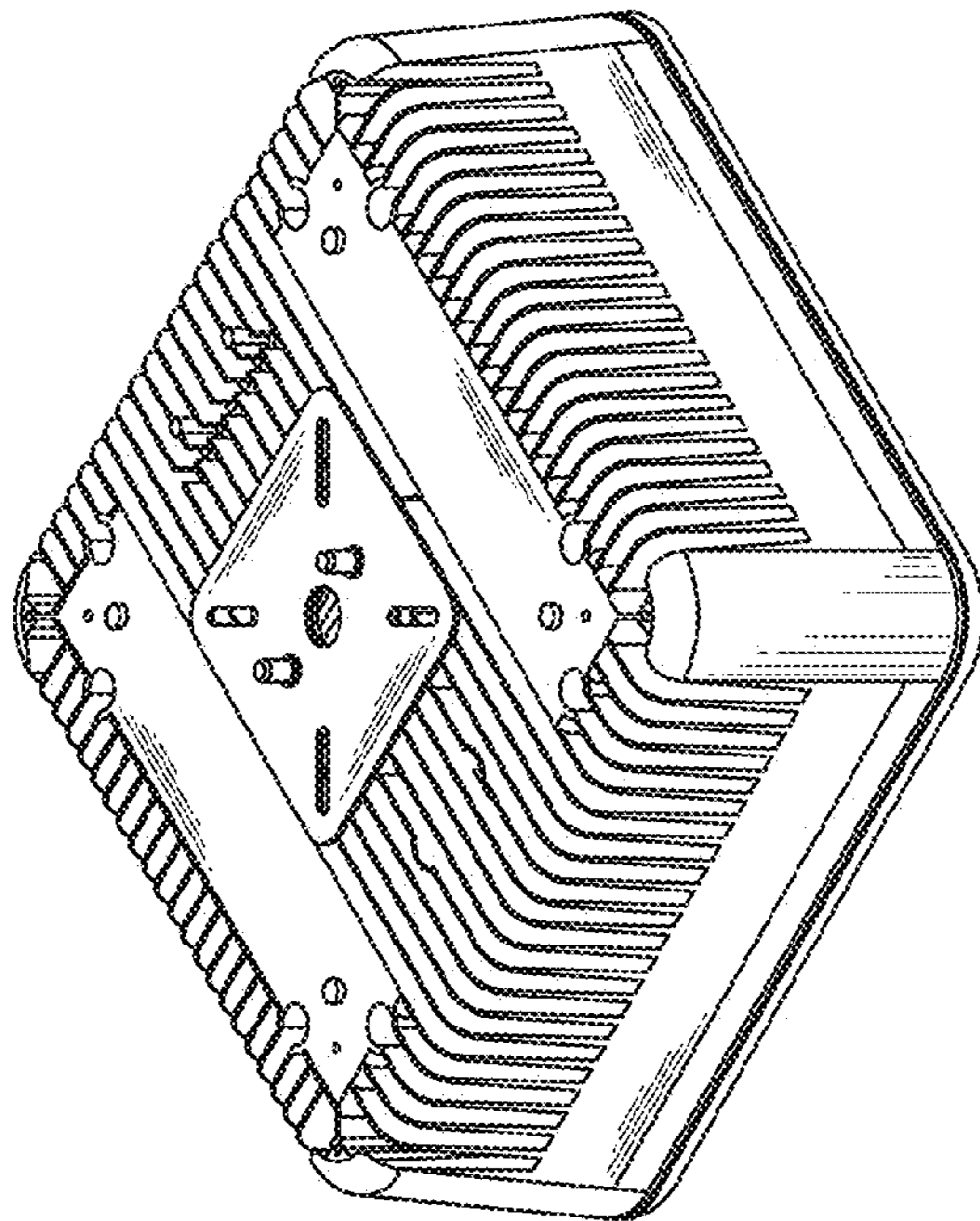


Fig. 1

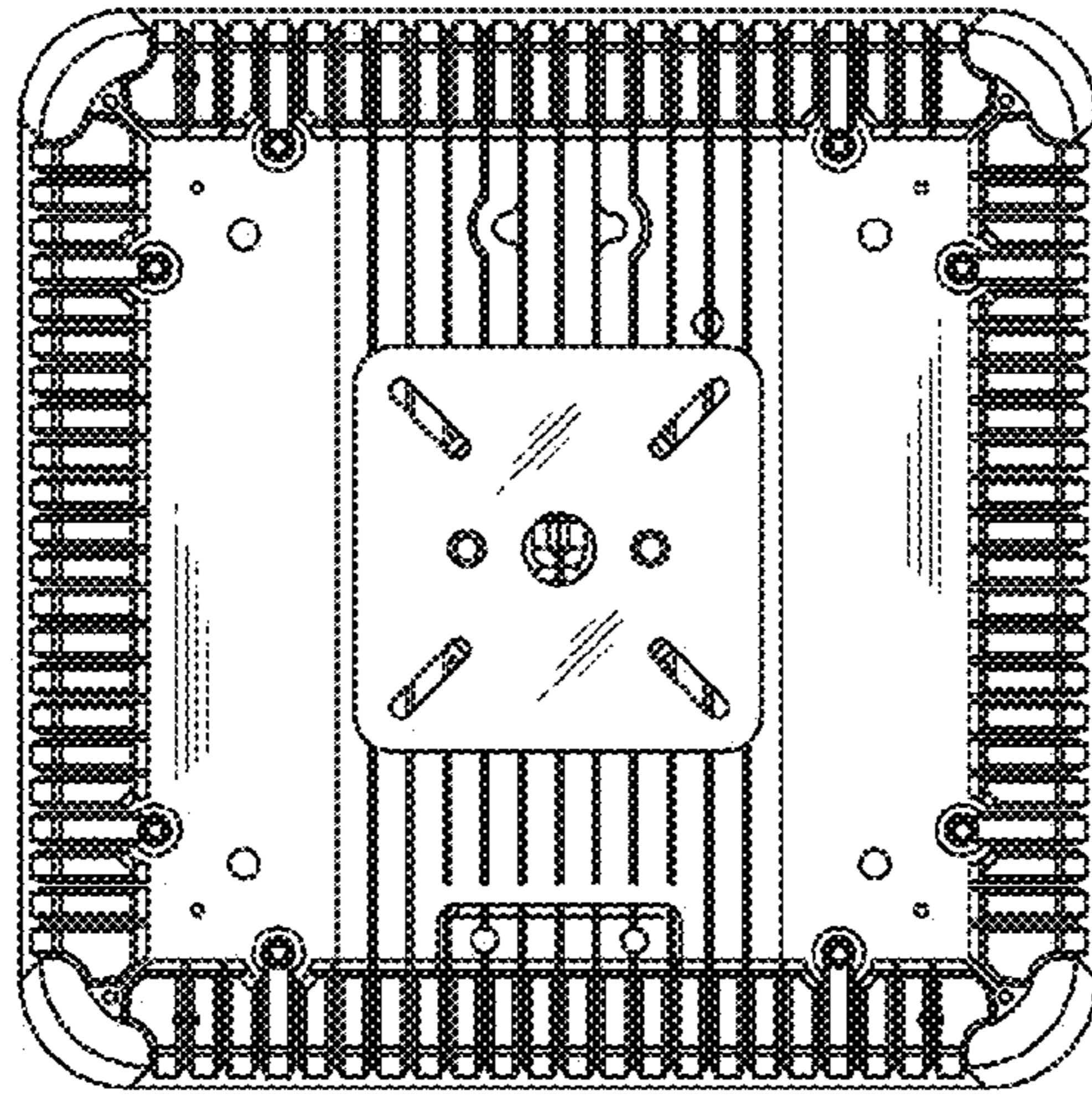


Fig. 4

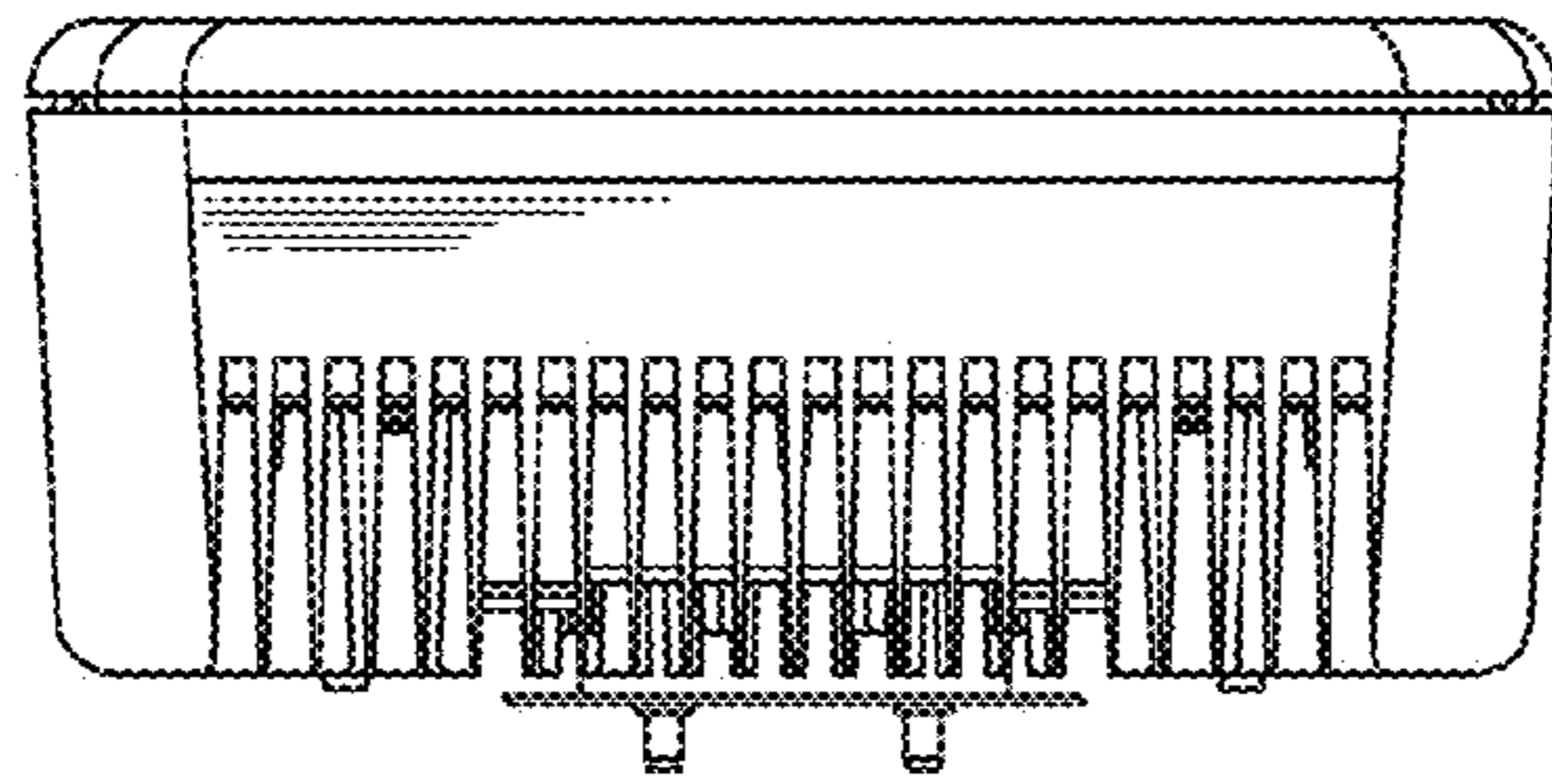


Fig. 5

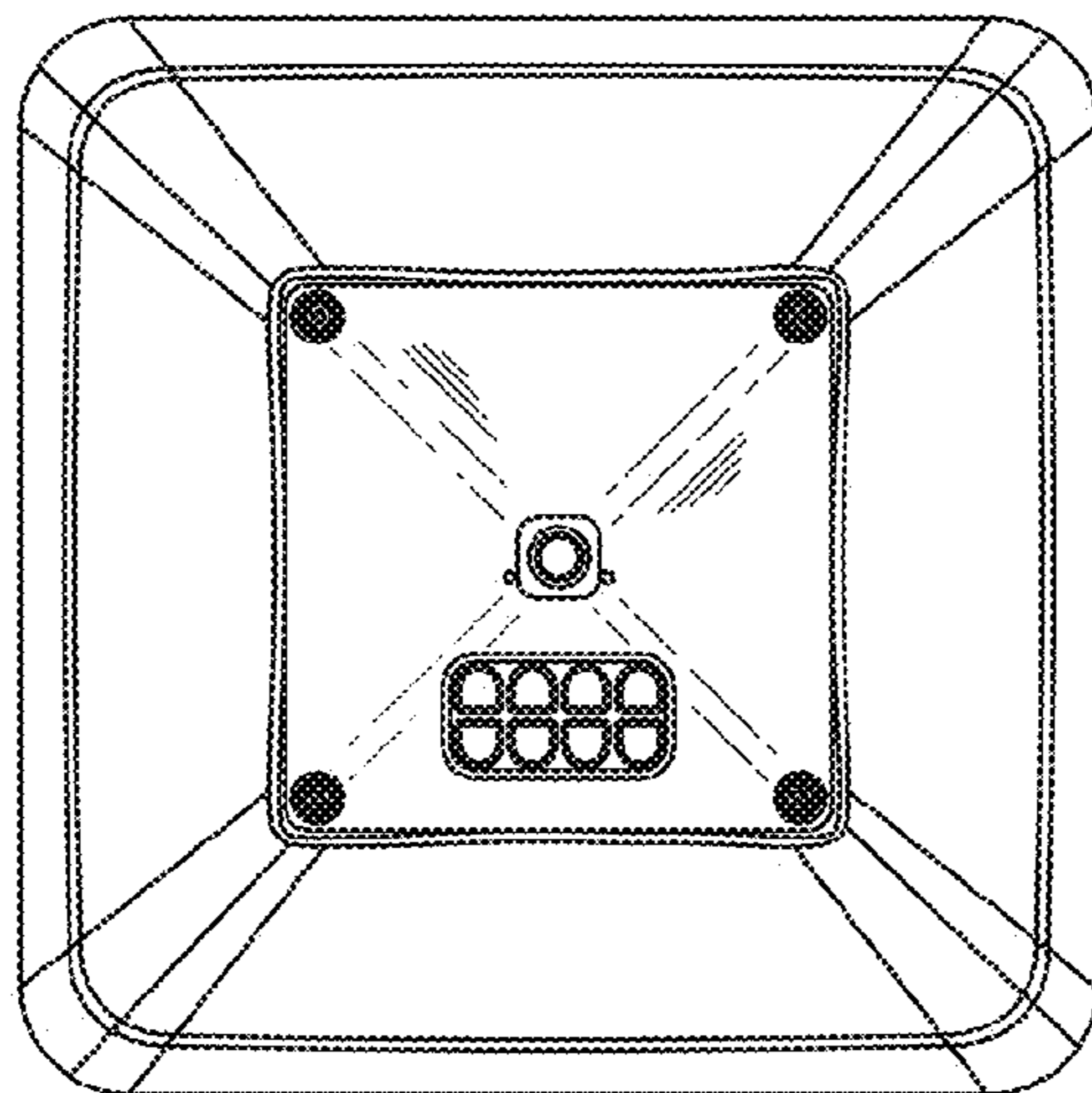


Fig. 3

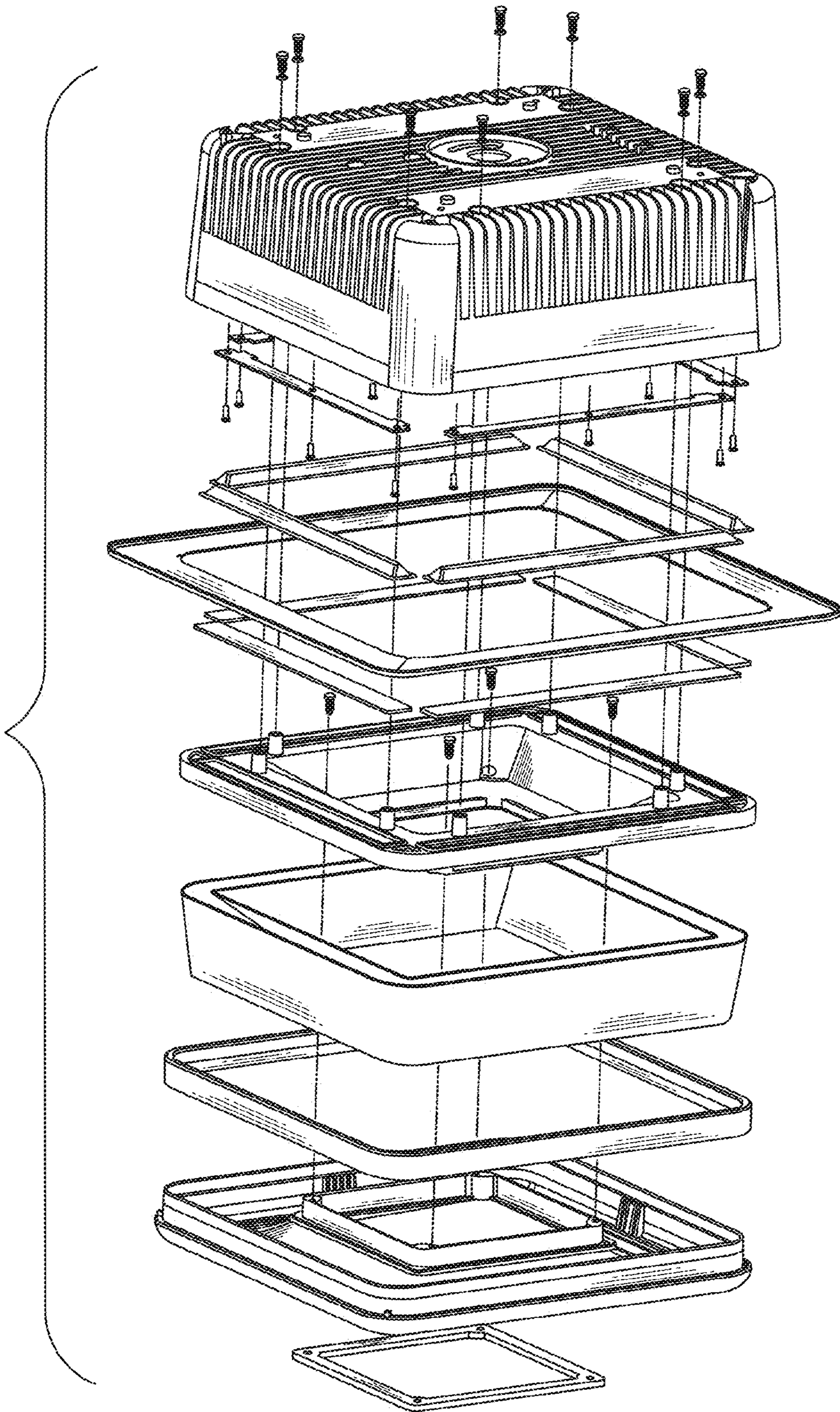


Fig. 6

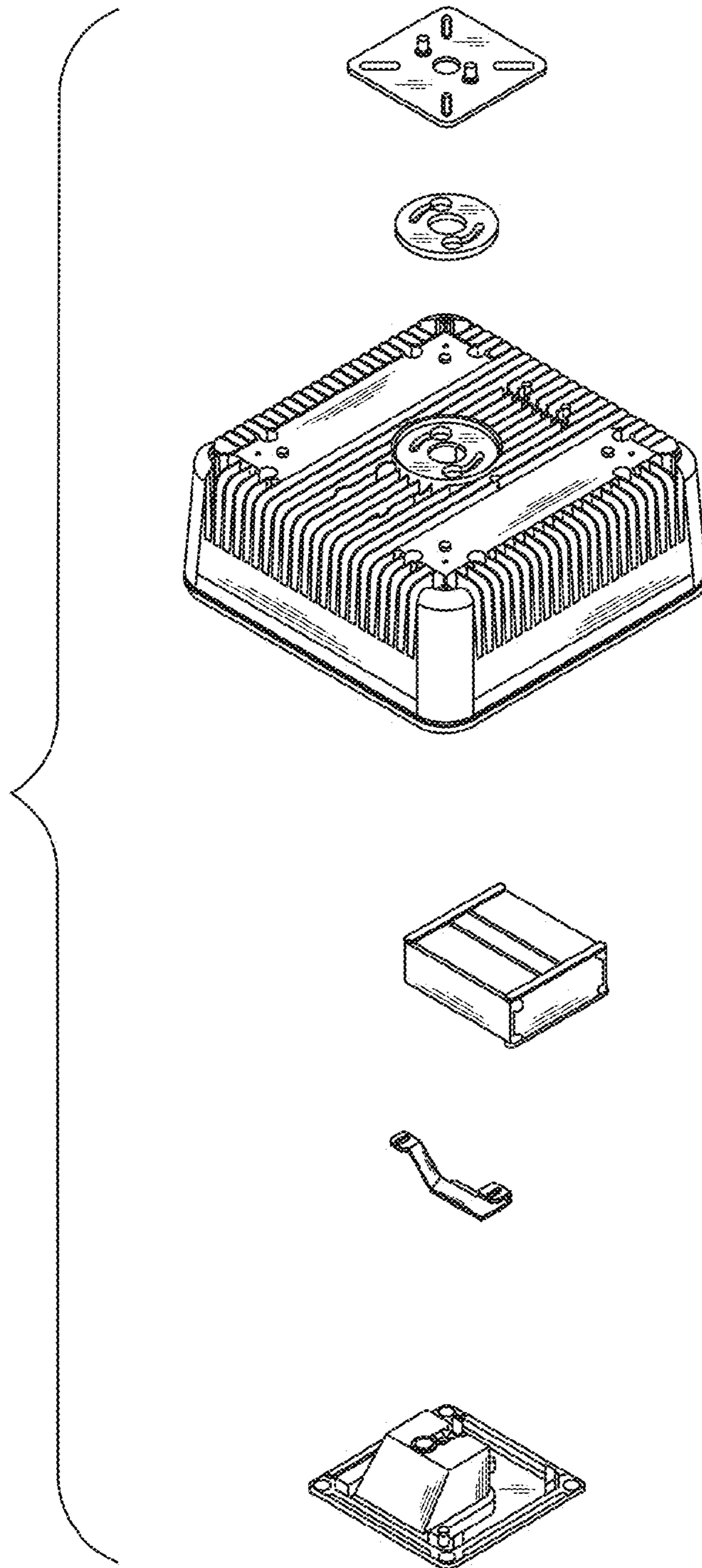


Fig. 7

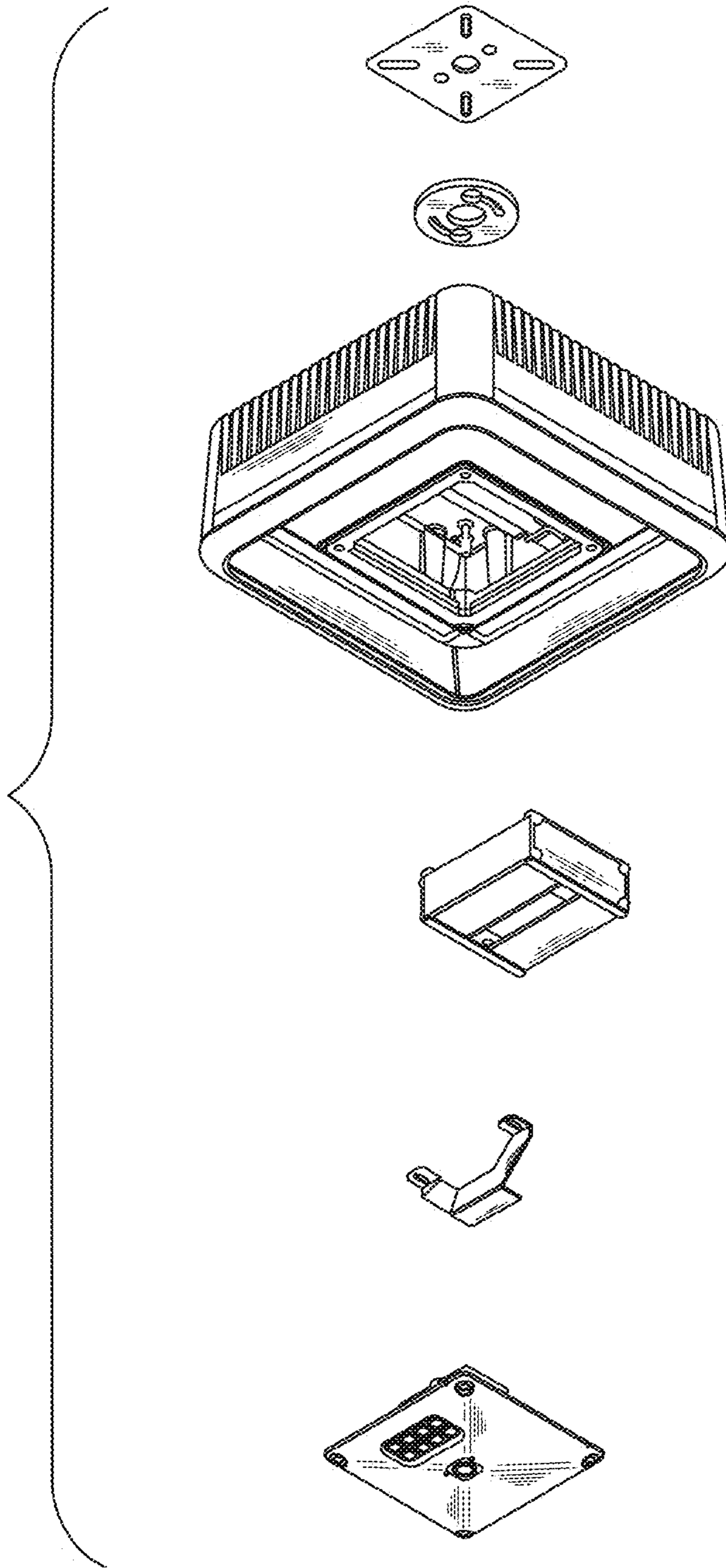


Fig. 8