



US00D703859S

(12) **United States Design Patent**
Sabernig

(10) **Patent No.:** **US D703,859 S**
(45) **Date of Patent:** **** Apr. 29, 2014**

(54) **LIGHT FIXTURE**

(71) Applicant: **EGLO Leuchten GmbH, Pill (AT)**

(72) Inventor: **Robert Sabernig, Munster (AT)**

(73) Assignee: **Eglo Leuchten GmbH (AT)**

(**) Term: **14 Years**

(21) Appl. No.: **29/448,822**

(22) Filed: **Mar. 14, 2013**

(51) **LOC (10) Cl.** **26-03**

(52) **U.S. Cl.**
USPC **D26/83; D26/63**

(58) **Field of Classification Search**
USPC D26/61, 63, 65, 80–91, 107, 118, 128,
D26/135; 362/147, 404–408, 431, 432, 648
See application file for complete search history.

(56) **References Cited**

U.S. PATENT DOCUMENTS

D36,593 S *	10/1903	Willard	D26/83
D67,635 S *	6/1925	Walton	D26/83
D70,606 S *	7/1926	Frerichs	D26/83
D71,559 S *	11/1926	Levitan	D26/83
D149,124 S *	3/1948	Hewitt	D26/63
D158,208 S *	4/1950	Lundquist	D26/63
D197,081 S *	12/1963	Hackney et al.	D26/63
D212,968 S *	12/1968	Schwartz	D26/63
D377,693 S *	1/1997	Lecluze	D26/63
D409,322 S *	5/1999	Yang	D26/63
D430,330 S *	8/2000	Hammar	D26/88
D541,970 S *	5/2007	Blackman	D26/81
D542,456 S *	5/2007	Swanson	D26/65

D550,890 S *	9/2007	Wang	D26/83
D557,439 S *	12/2007	Hsu	D26/83
D589,197 S *	3/2009	Sabernig	D26/83
D611,639 S *	3/2010	Sabernig	D26/63
D620,182 S *	7/2010	Sabernig	D26/88
D628,330 S *	11/2010	Sabernig	D26/63

OTHER PUBLICATIONS

“GLIMT” pendant; “Cesium”, “Basisk” and “Leding” ceiling lamps/
all shown on p. 311 of the 2008 IKEA Catalog.*

* cited by examiner

Primary Examiner — Clare E Heflin

(74) *Attorney, Agent, or Firm* — Baker & McKenzie LLP

(57) **CLAIM**

The ornamental design for a light fixture, as shown and described.

DESCRIPTION

FIG. 1 is a perspective view of a light fixture in accordance with my design;

FIG. 2 is a bottom plan view of the light fixture in accordance with my design;

FIG. 3 is a front elevation view of the light fixture in accordance with my design;

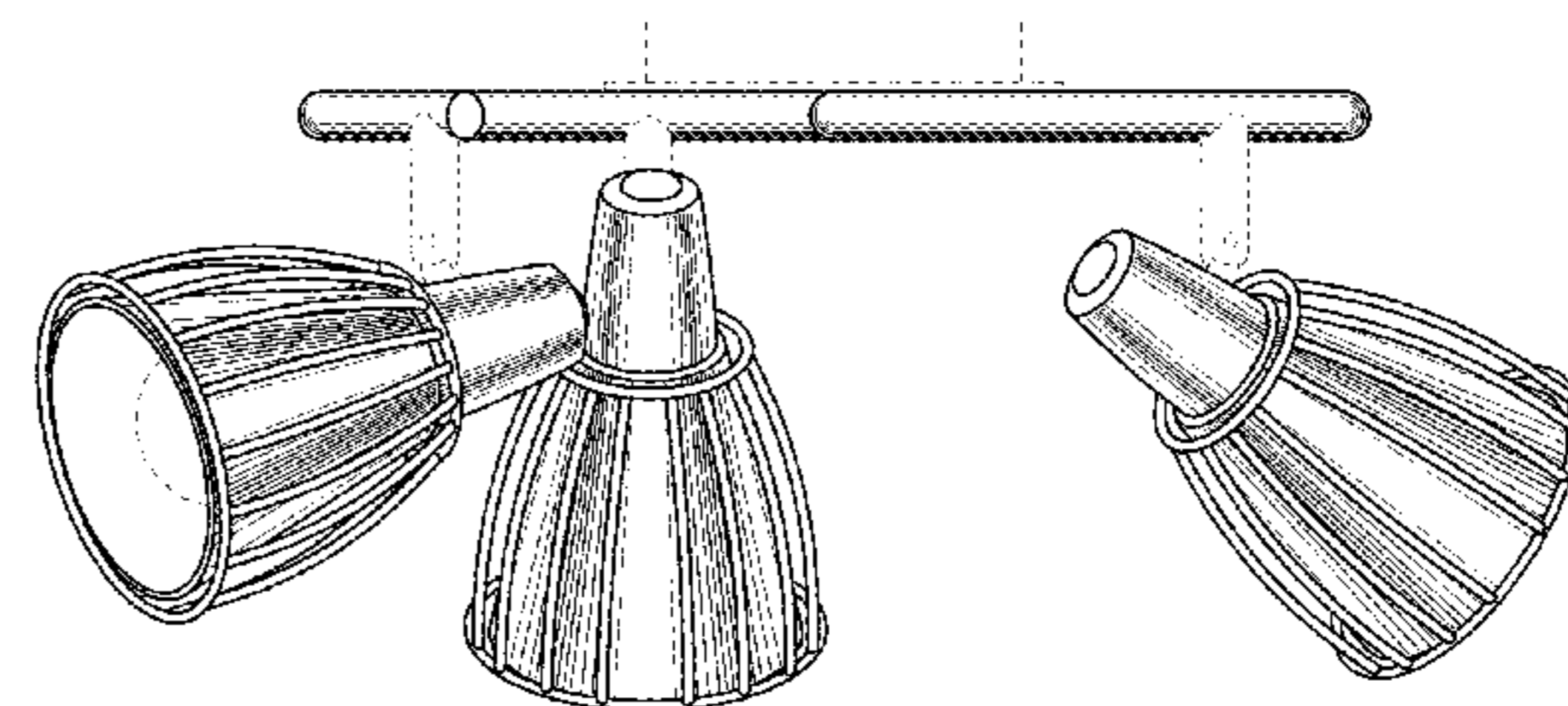
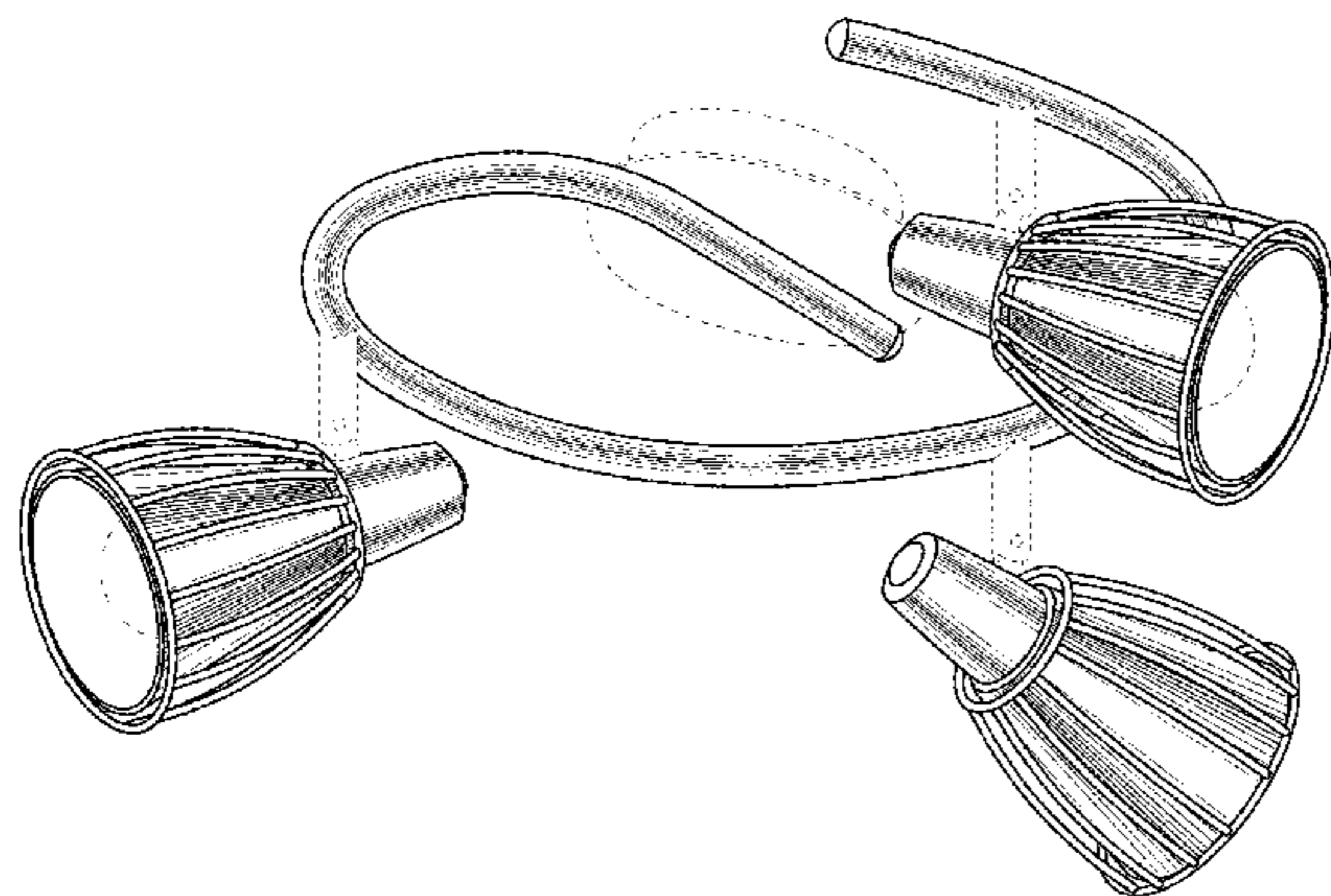
FIG. 4 is a back elevation view of the light fixture in accordance with my design;

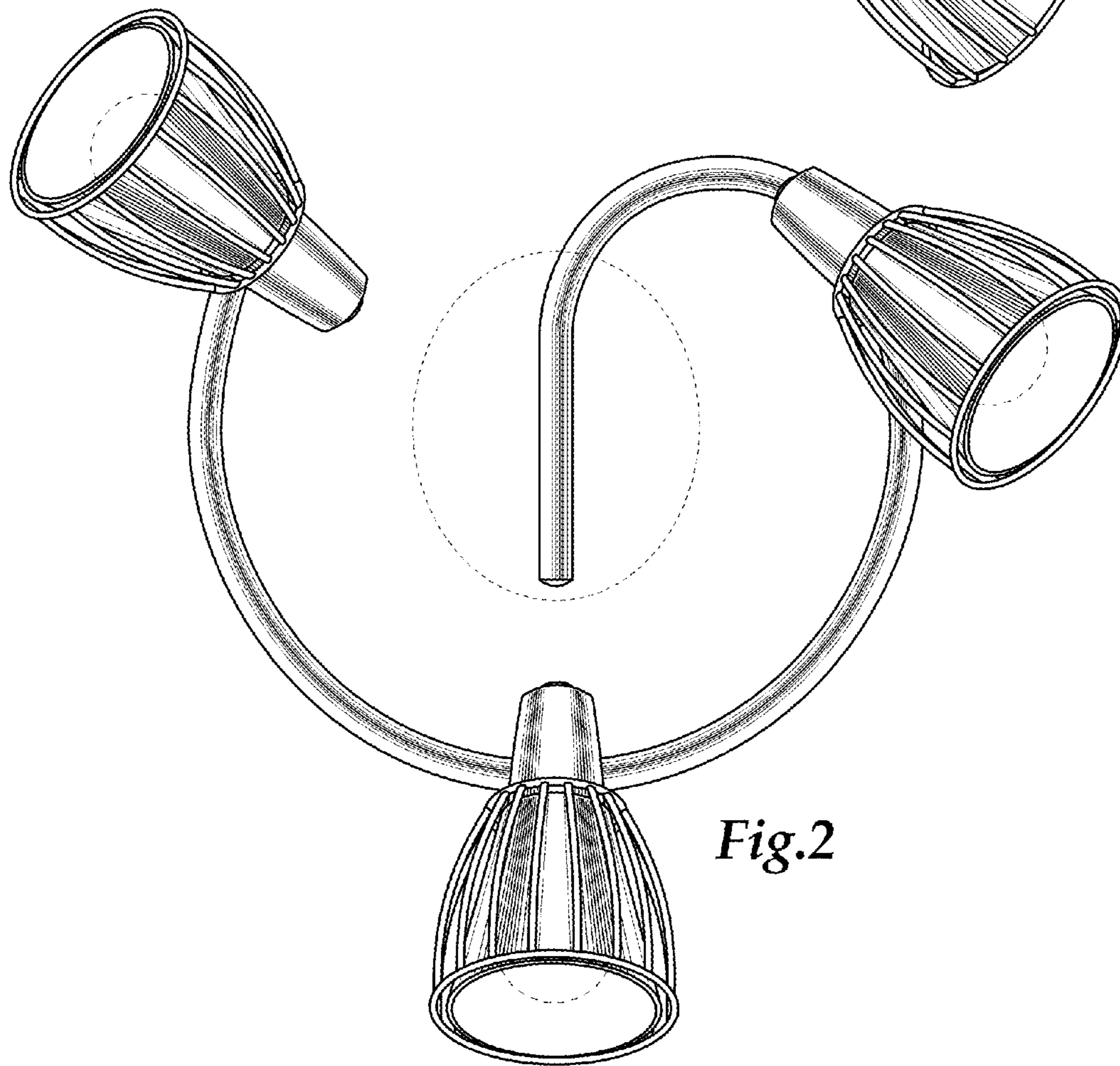
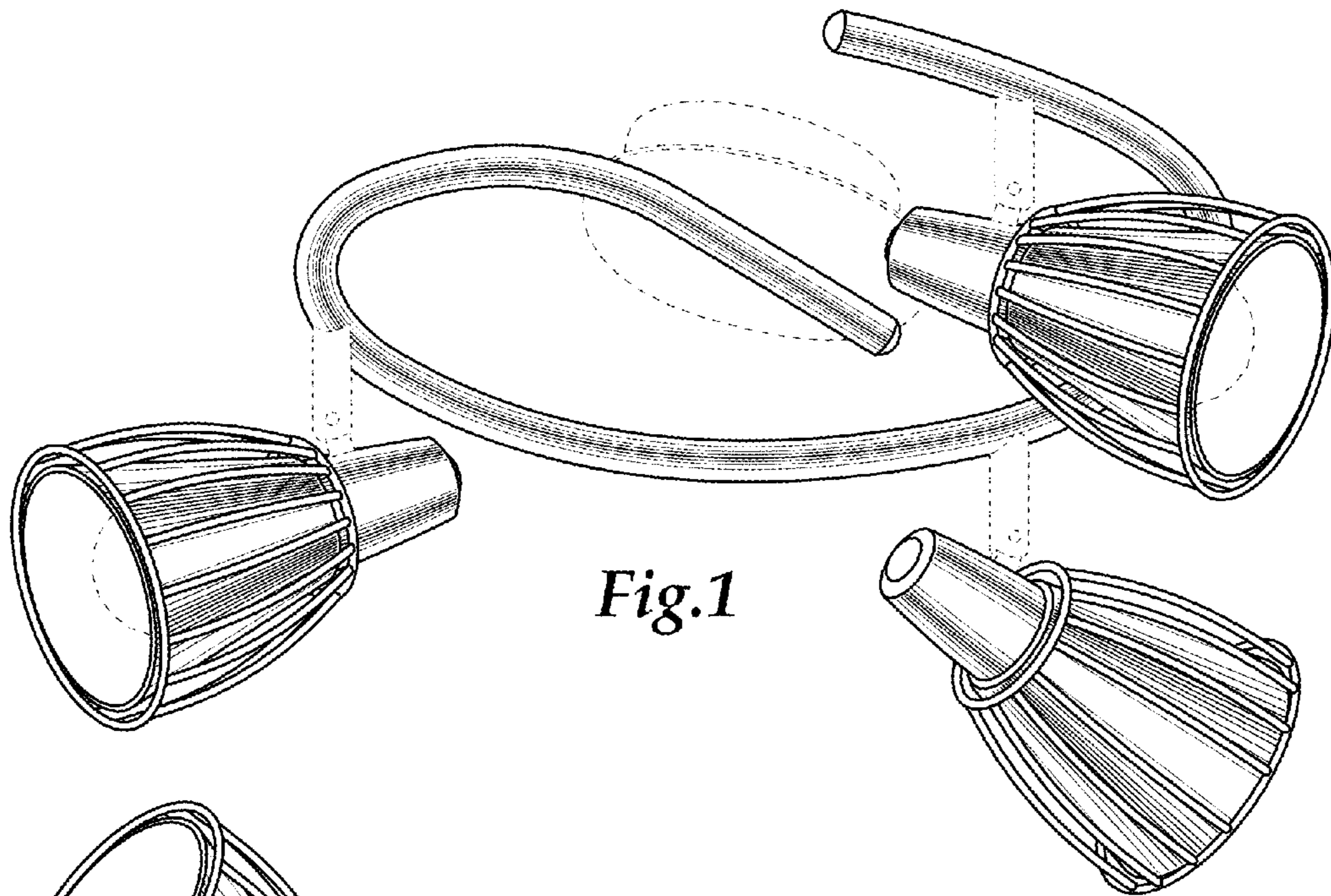
FIG. 5 is a right-side elevation view of the light fixture in accordance with my design; and,

FIG. 6 is a left-side elevation view of the light fixture in accordance with my design.

The broken-line disclosure of elements is understood to represent portions of the article in which the design is embodied, but which form no part of the claimed design.

1 Claim, 3 Drawing Sheets





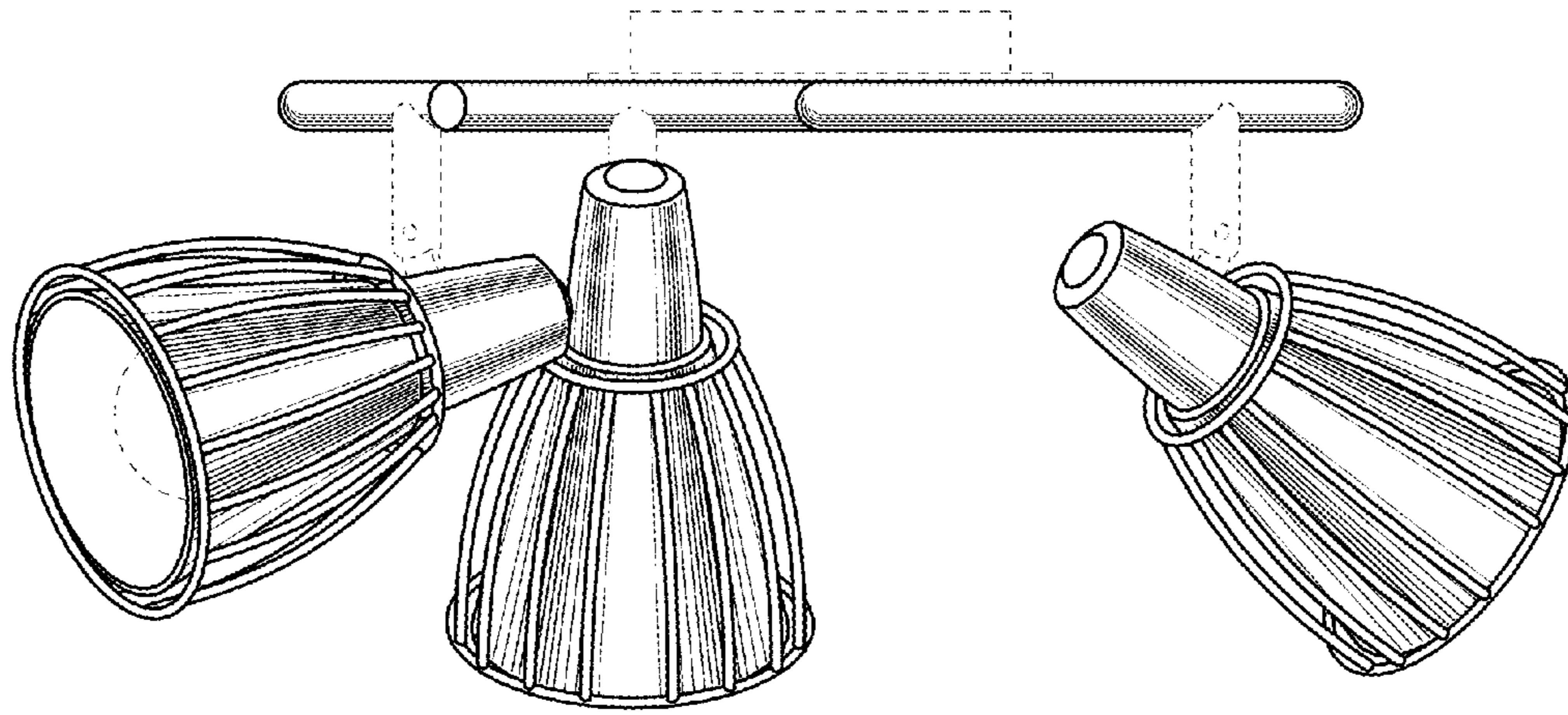


Fig.3

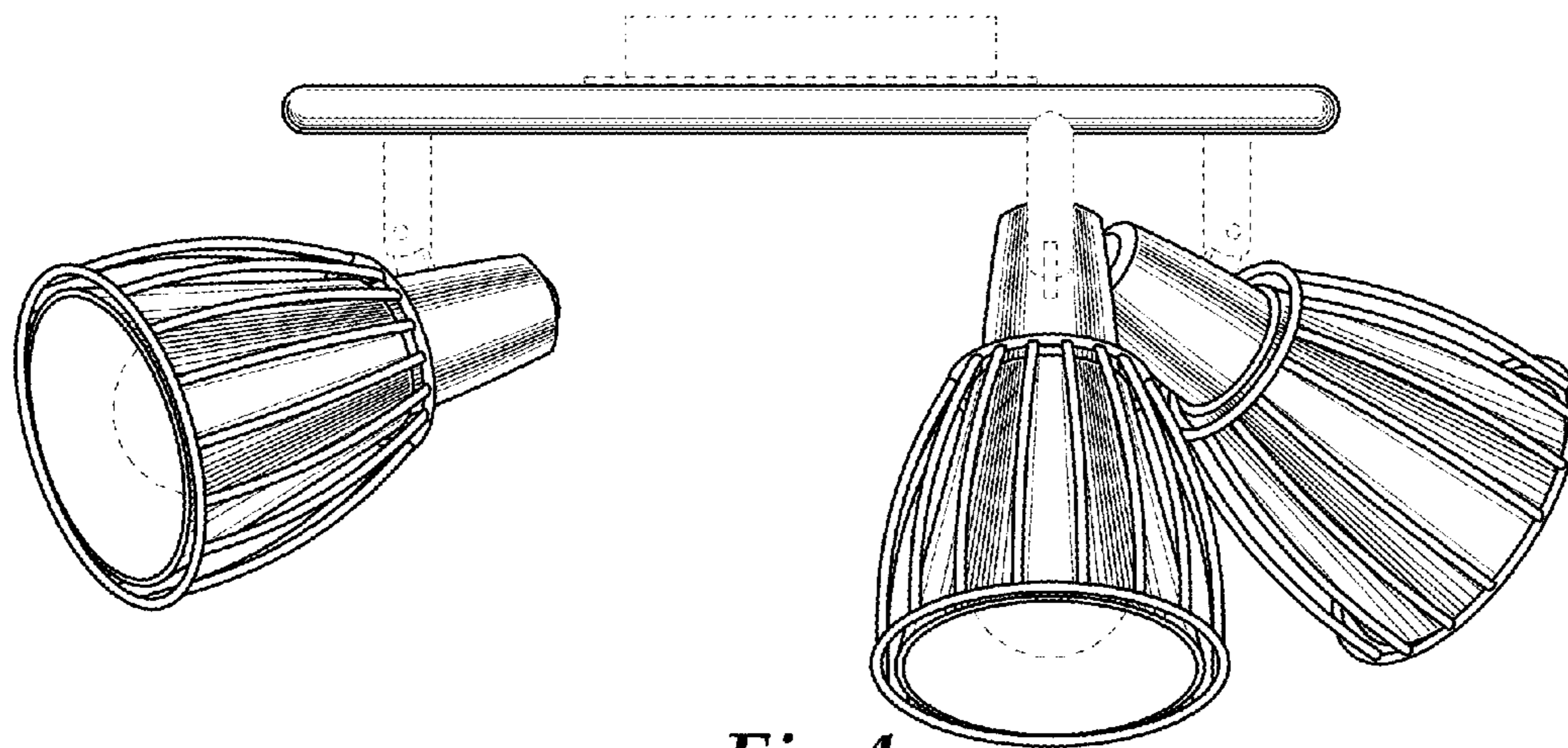


Fig.4

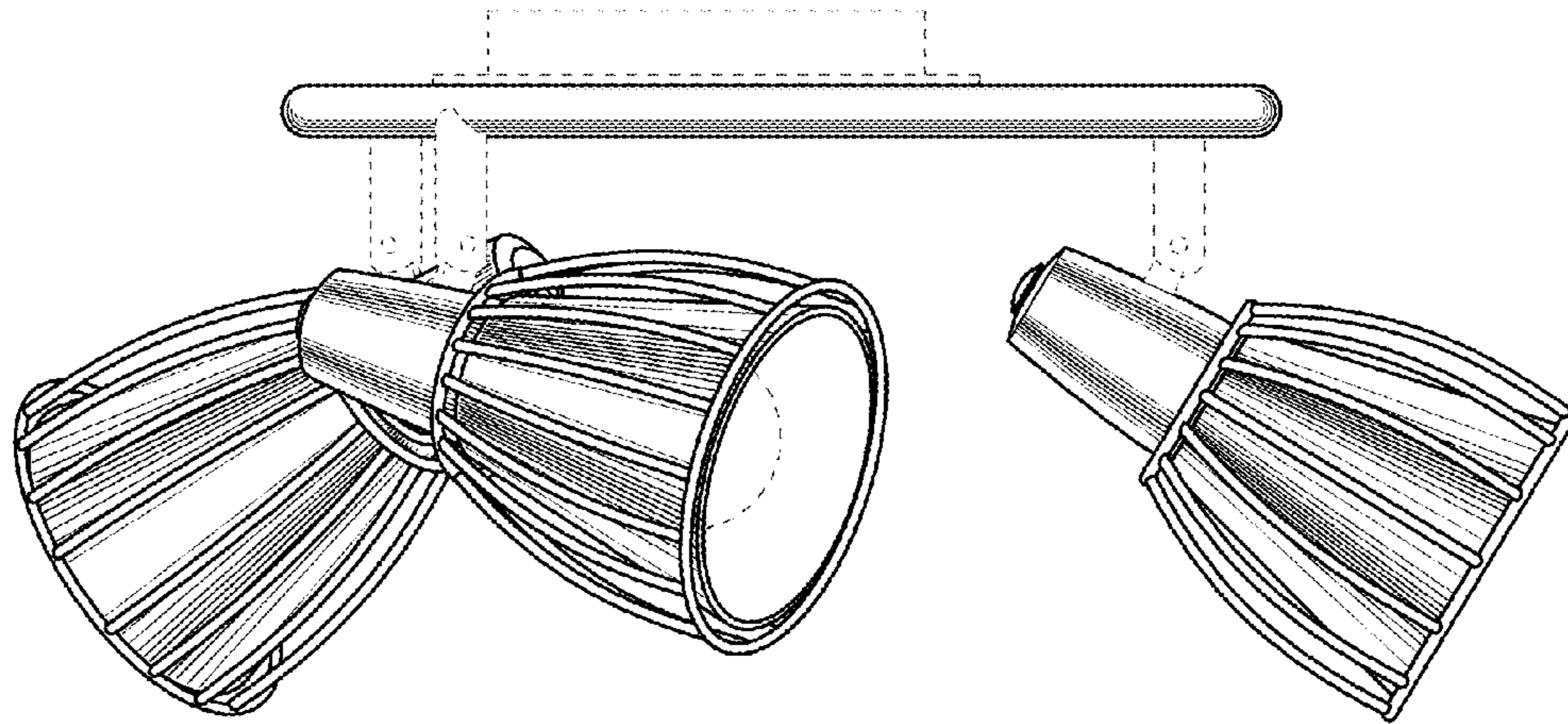


Fig.5

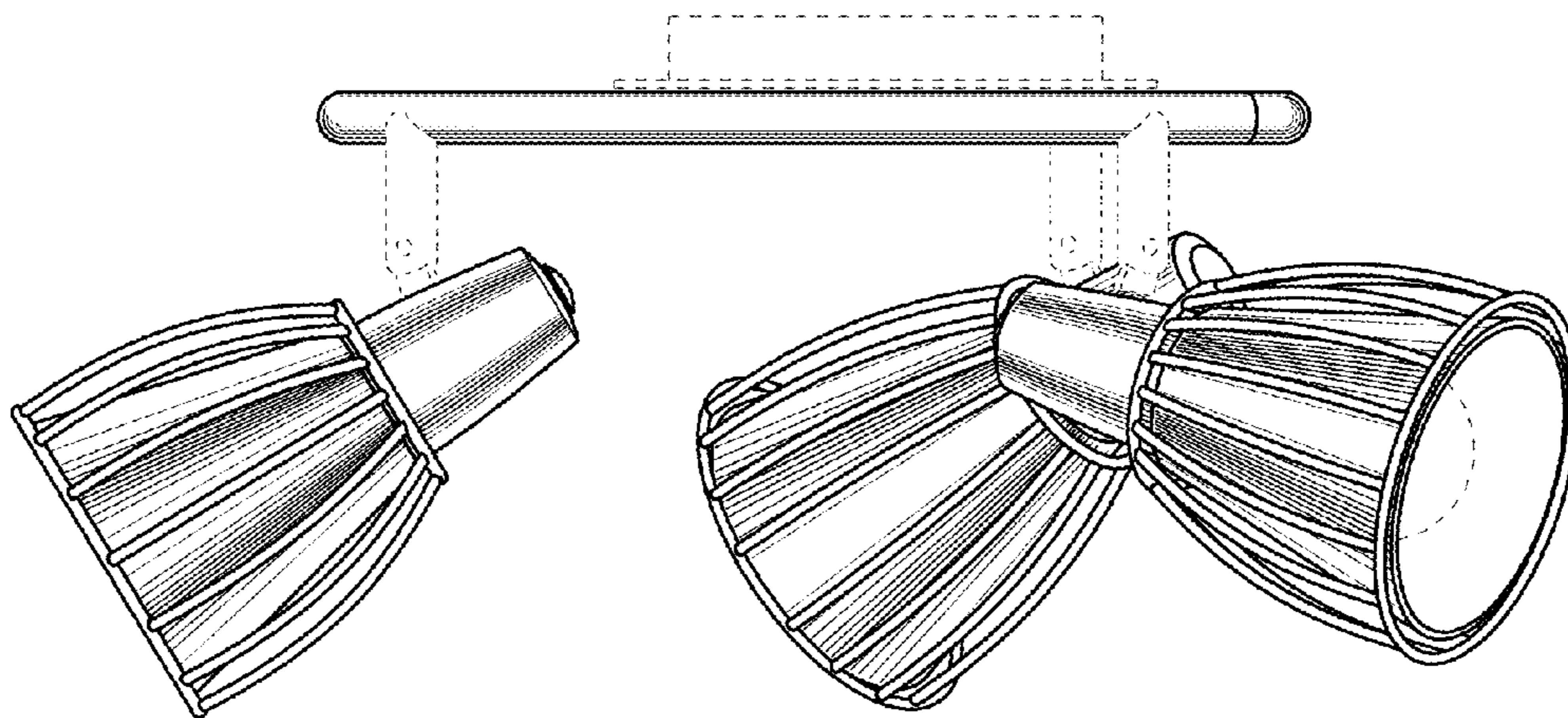


Fig.6