



US00D703858S

(12) **United States Design Patent**  
**Miller**

(10) **Patent No.:** **US D703,858 S**  
(45) **Date of Patent:** **\*\* Apr. 29, 2014**

(54) **LIGHT FIXTURE**

(75) Inventor: **Michael Ray Miller**, Conyers, GA (US)

(73) Assignee: **ABL IP Holding LLC**, Conyers, GA (US)

(\*\*) Term: **14 Years**

(21) Appl. No.: **29/420,279**

(22) Filed: **May 7, 2012**

(51) **LOC (10) Cl.** ..... **26-03**

(52) **U.S. Cl.**  
USPC ..... **D26/76**

(58) **Field of Classification Search**  
USPC ..... D26/1-3, 24, 56, 72, 74-86, 88-91;  
D13/180, 182; 362/150,  
362/217.01-217.05, 217.08, 217.09, 260,  
362/364, 365, 366, 404, 555, 576, 800  
See application file for complete search history.

(56) **References Cited**

**U.S. PATENT DOCUMENTS**

D306,773 S *	3/1990	Roulstone	.....	D26/78
D465,869 S *	11/2002	Bodell	.....	D26/78
7,175,312 B2 *	2/2007	Fowler, Jr.	.....	362/260
D592,786 S	5/2009	Bisberg et al.		
D633,640 S *	3/2011	Wauters	.....	D26/85
D646,421 S *	10/2011	Chung et al.	.....	D26/75

**OTHER PUBLICATIONS**

I-Beam™ Fluorescent High Bay Lighting, “The High Ambient Solution,” Lithonia Lighting, 2005 (7 pages).  
C-Series™ LED High Bay, Albeo Technologies, Jul. 21, 2009 (4 pages).  
I-Beam® Fluorescent High Bay Lighting: Fluorescent High Bay, 4-, 6- or 8-lamp T5, Lithonia Lighting, Sep. 29, 2010 (2 pages).

Lusio Essentials™ Bay Series, “Energy Efficient LED Fixtures for Commercial & Industrial Applications,” Lusio Solid-State Lighting, 2011 (4 pages).  
I-Beam® IBZ, Fluorescent High Bay IBZ 4-, 6- or 8-lamp T5HO, Dec. 19, 2012 (2 pages).  
I-Beam® IBZ, Fluorescent High Bay IBZ 4-, 6- or 8-lamp T-8, Dec. 19, 2012 (3 pages).  
Essentials™ Bay Series v 2.0, 6 Short LED Modules (6MS) Fixture Overview, Lusio Commercial & Industrial, 2013 (4 pages).  
Essentials™ Bay Series v 2.0, 4 LED Modules (4M) Fixture Overview, Lusio Commercial & Industrial, 2013 (4 pages).  
Essentials™ Bay Series v 2.0, 6 LED Modules (6M) Fixture Overview, Lusio Commercial & Industrial, 2013 (4 pages).

\* cited by examiner

*Primary Examiner* — Zenia Bennett

(74) *Attorney, Agent, or Firm* — Kilpatrick Townsend & Stockton, LLP

(57) **CLAIM**

The ornamental design for a light fixture, as shown and described.

**DESCRIPTION**

FIG. 1 is a bottom perspective view of an embodiment of a light fixture.

FIG. 2 is a right side elevation view of the light fixture of FIG. 1.

FIG. 3 is a left side elevation view of the light fixture of FIG. 1.

FIG. 4 is a front elevation view of the light fixture of FIG. 1.

FIG. 5 is a rear elevation view of the light fixture of FIG. 1.

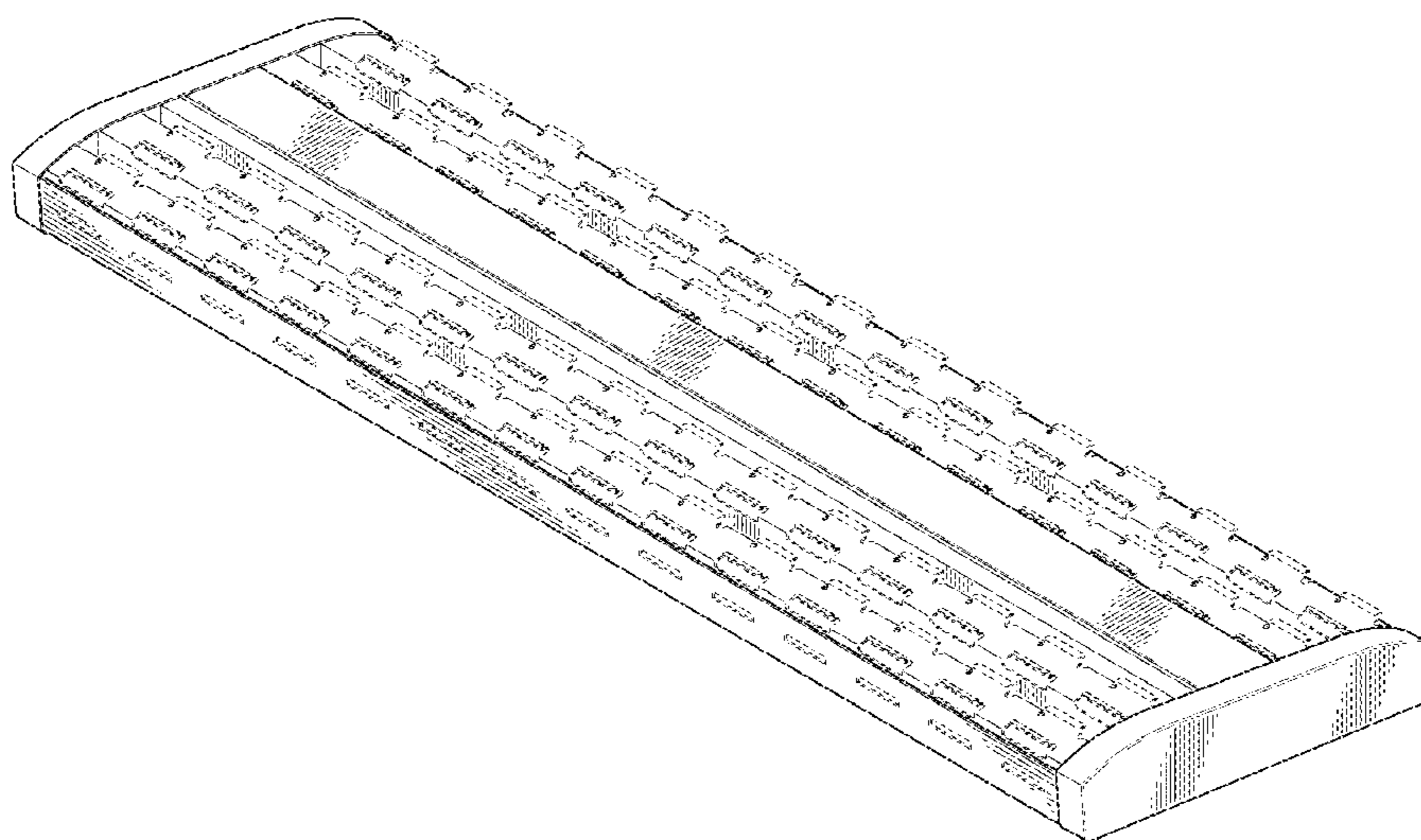
FIG. 6 is a bottom plan view the light fixture of FIG. 1.

FIG. 7 is a top plan view of the light fixture of FIG. 1; and,

FIG. 8 is a top perspective view of the light fixture of FIG. 1.

Portions or features of the light fixture not shown in the drawings form no part of the claimed design. The broken lines in the drawings form no part of the claimed design.

**1 Claim, 5 Drawing Sheets**



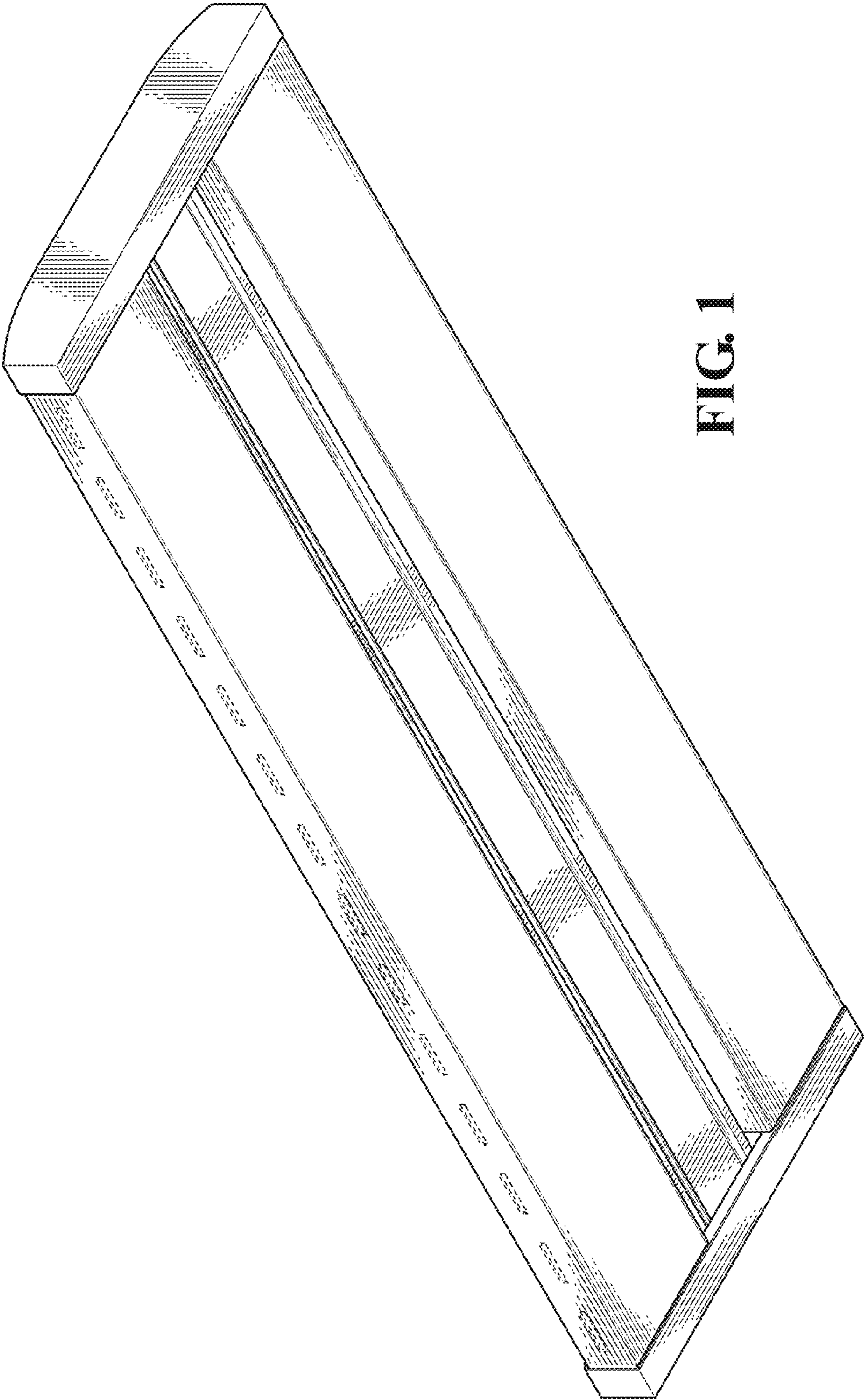


FIG. 1

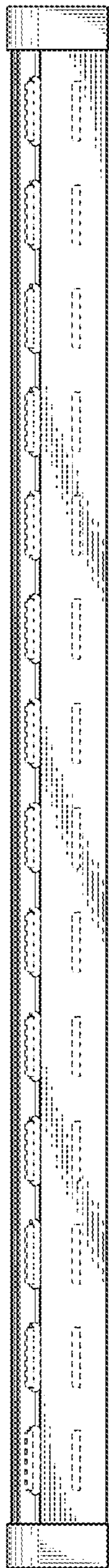


FIG. 2

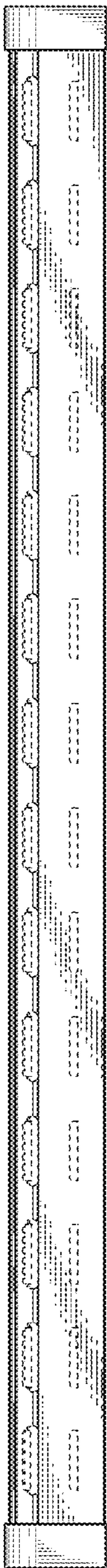


FIG. 3

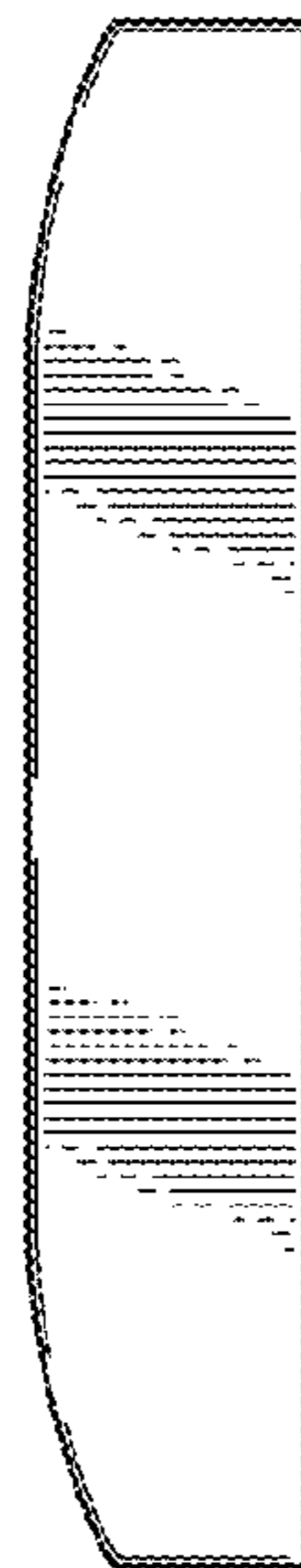


FIG. 5

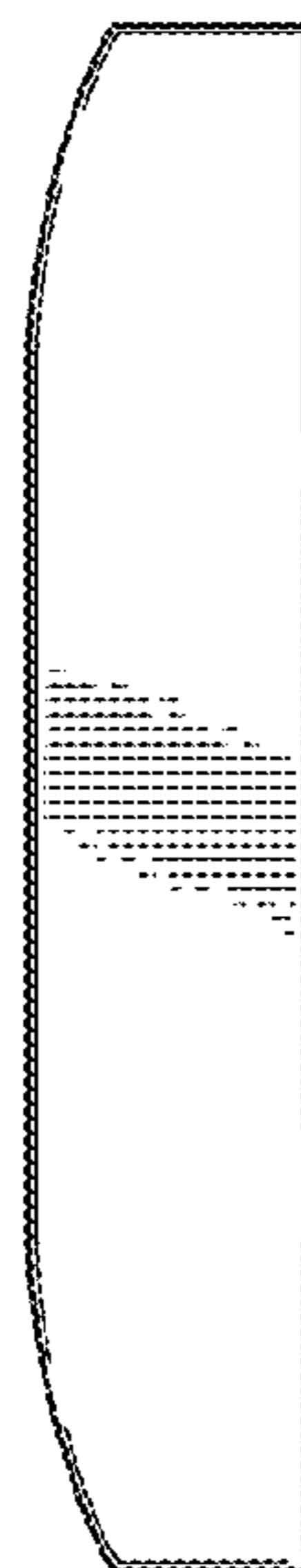


FIG. 4

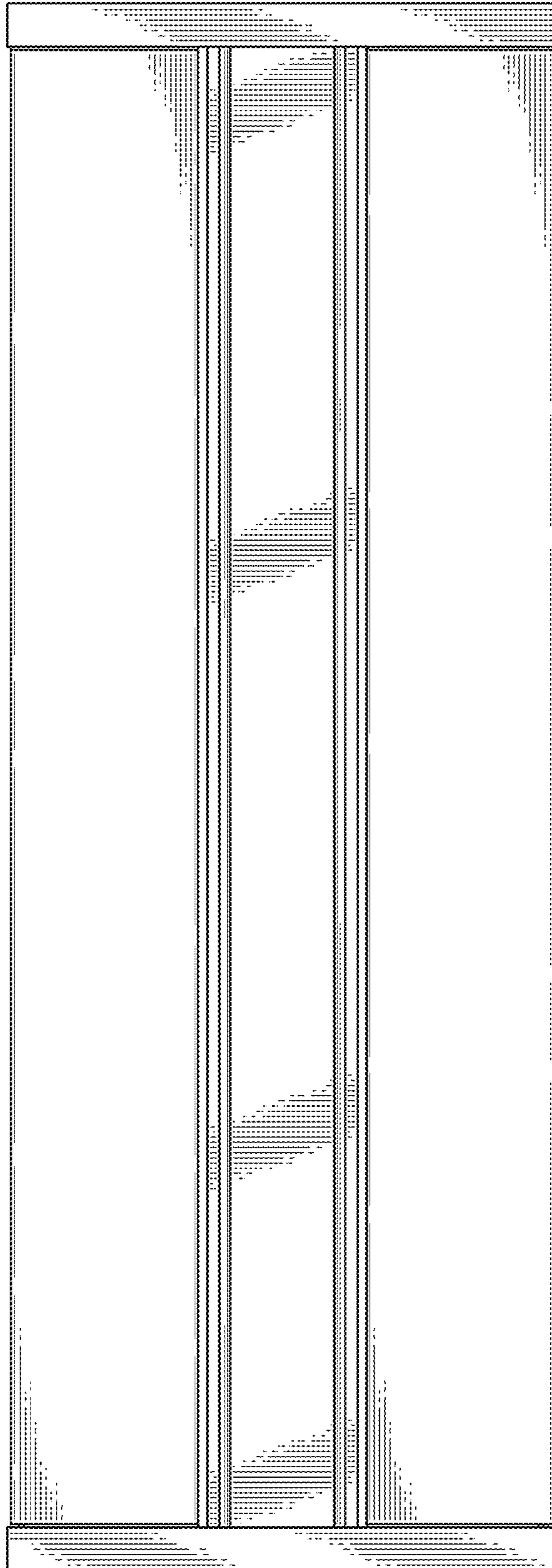


FIG. 6

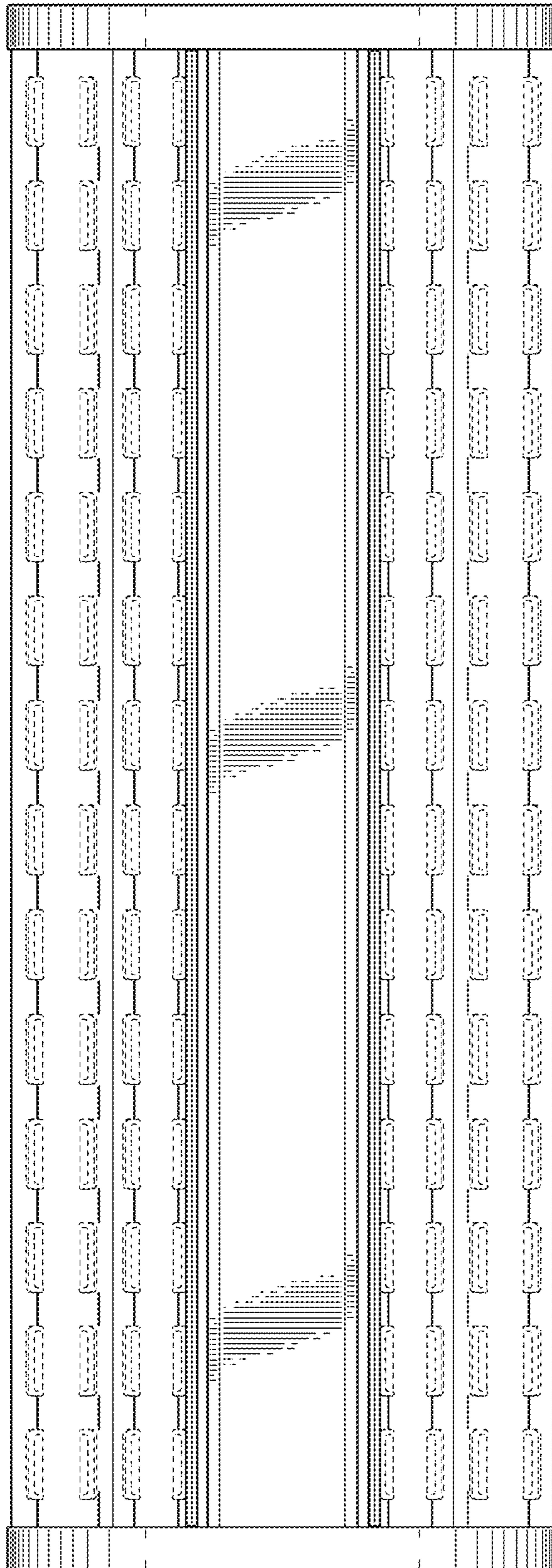


FIG. 7

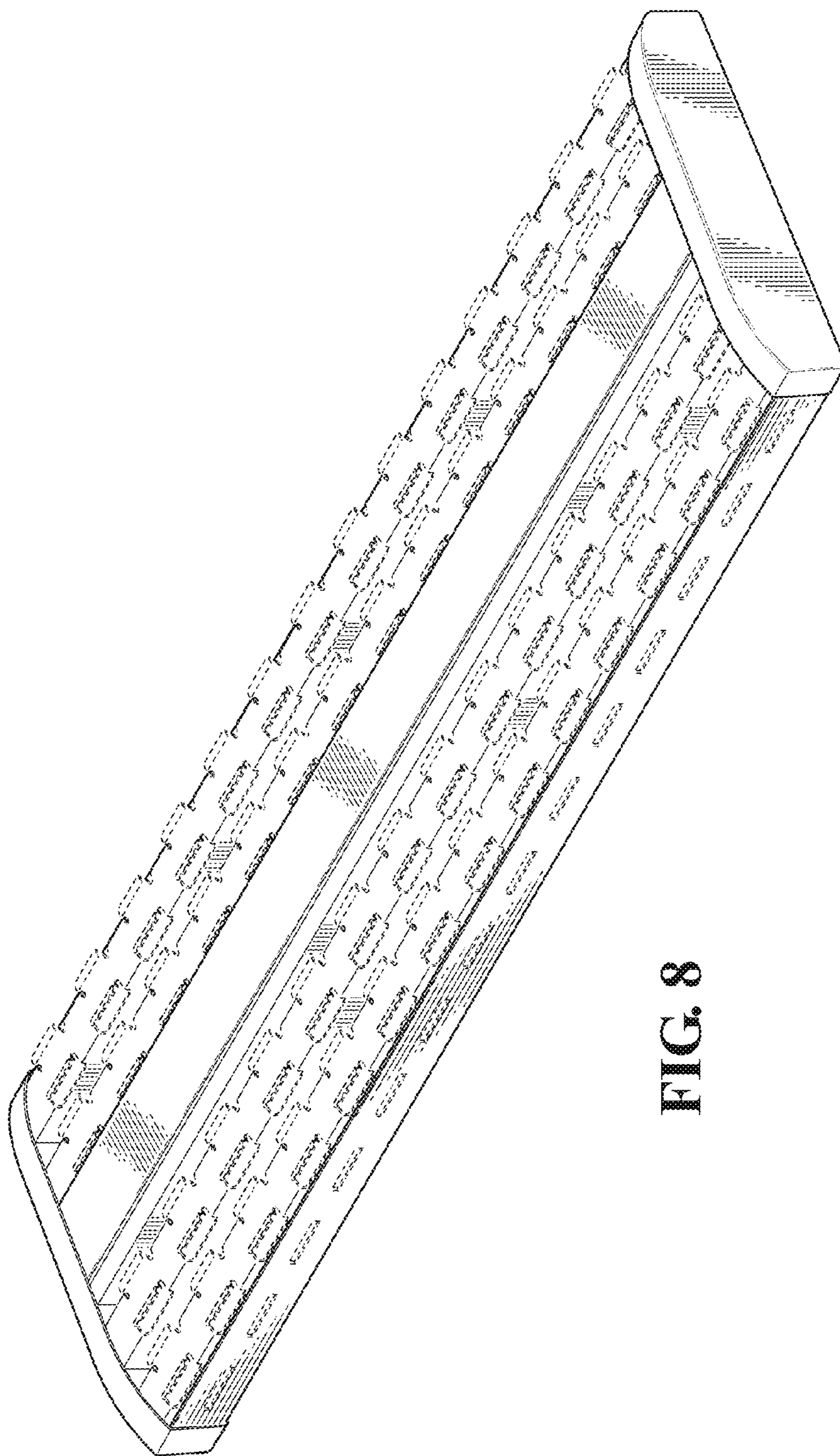


FIG. 8