



US00D703857S

(12) **United States Design Patent**  
**Soni**

(10) **Patent No.:** **US D703,857 S**

(45) **Date of Patent:** **\*\* Apr. 29, 2014**

(54) **TUBE LIGHTING FIXTURE**

(75) Inventor: **Vimal Soni**, Mumbai (IN)

(73) Assignee: **Photoquip India Ltd.**, Mumbai (IN)

(\*\*) Term: **14 Years**

(21) Appl. No.: **29/417,430**

(22) Filed: **Apr. 3, 2012**

(30) **Foreign Application Priority Data**

Mar. 16, 2012 (IN) ..... 243912

(51) **LOC (10) CL.** ..... **26-03**

(52) **U.S. CL.**  
USPC ..... **D26/75**

(58) **Field of Classification Search**  
USPC ..... D26/1-3, 24, 56, 72, 74-86, 88-91;  
D13/180, 182; 362/150,  
362/217.01-217.05, 217.08, 217.09, 260,  
362/364, 365, 366, 404, 555, 576, 800  
See application file for complete search history.

(56) **References Cited**

**U.S. PATENT DOCUMENTS**

4,581,687 A \* 4/1986 Nakanishi ..... 362/653  
5,904,415 A \* 5/1999 Robertson et al. .... 362/260

D448,499 S \* 9/2001 Choi ..... D26/3  
D497,442 S \* 10/2004 Patel ..... D26/28  
D521,676 S \* 5/2006 Richner ..... D26/78  
D574,093 S \* 7/2008 Kitagawa et al. .... D26/3  
D574,094 S \* 7/2008 Kitagawa et al. .... D26/3  
D663,065 S \* 7/2012 Beghelli ..... D26/76

\* cited by examiner

*Primary Examiner* — Zenia Bennett

(74) *Attorney, Agent, or Firm* — Notaro, Michalos & Zaccaria P.C.

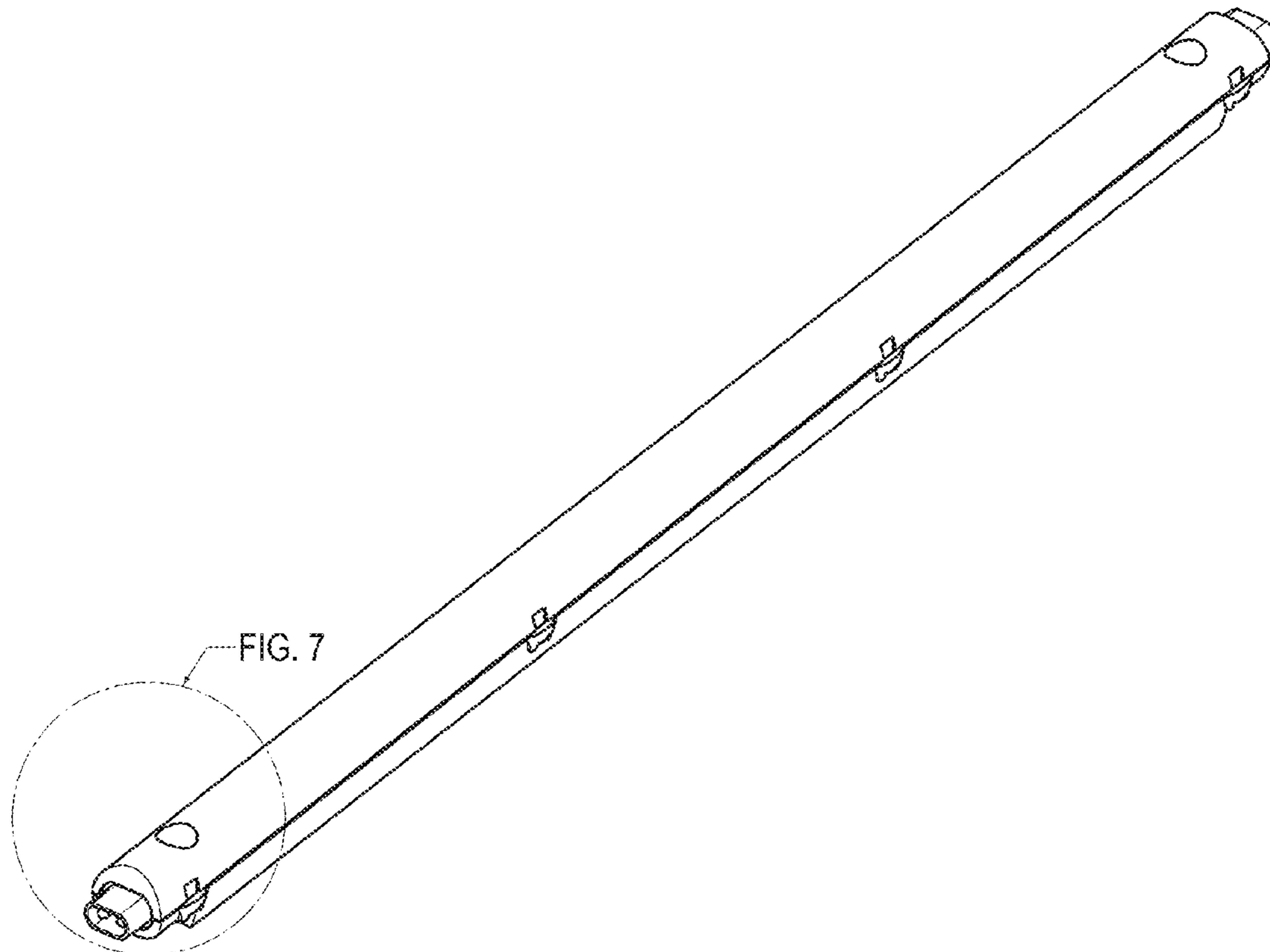
(57) **CLAIM**

The ornamental design for a tube lighting fixture, as shown and described.

**DESCRIPTION**

FIG. 1 is a top plan view of a lighting fixture showing my new design therefor;  
FIG. 2 is a front elevational view thereof;  
FIG. 3 is a bottom plan view thereof;  
FIG. 4 is a left side perspective view thereof;  
FIG. 5 is a right side perspective view thereof;  
FIG. 6 is a top left side perspective view thereof;  
FIG. 7 is an enlarged detail taken at circle FIG. 7 in FIG. 6;  
FIG. 8 is a top right side perspective view thereof; and,  
FIG. 9 is an enlarged detail taken at circle FIG. 9 in FIG. 8.

**1 Claim, 3 Drawing Sheets**



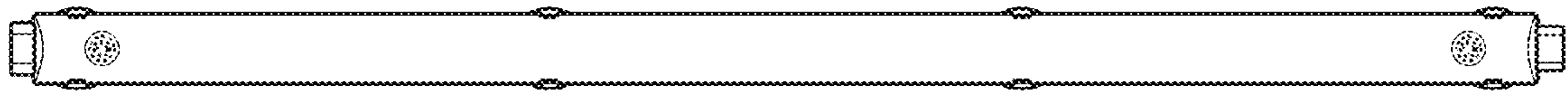


FIG. 1



FIG. 2

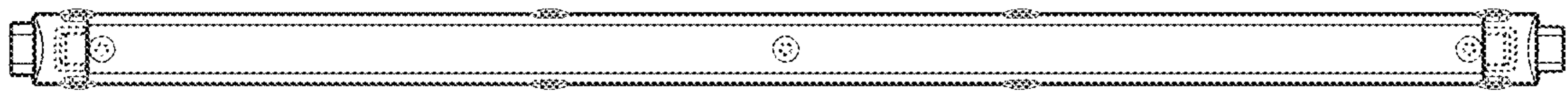


FIG. 3

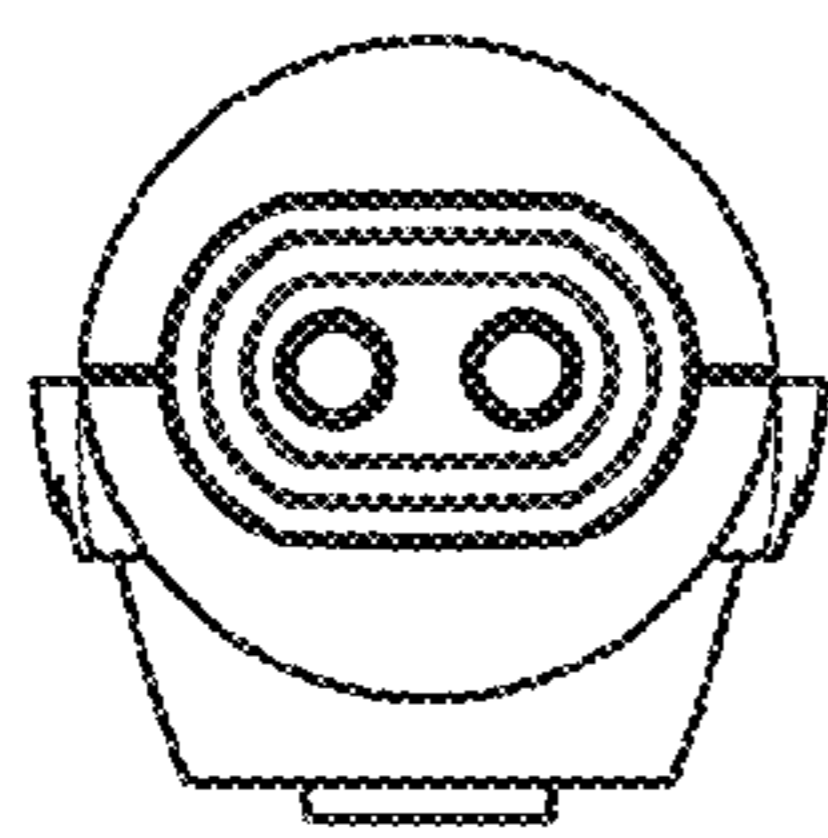


FIG. 4

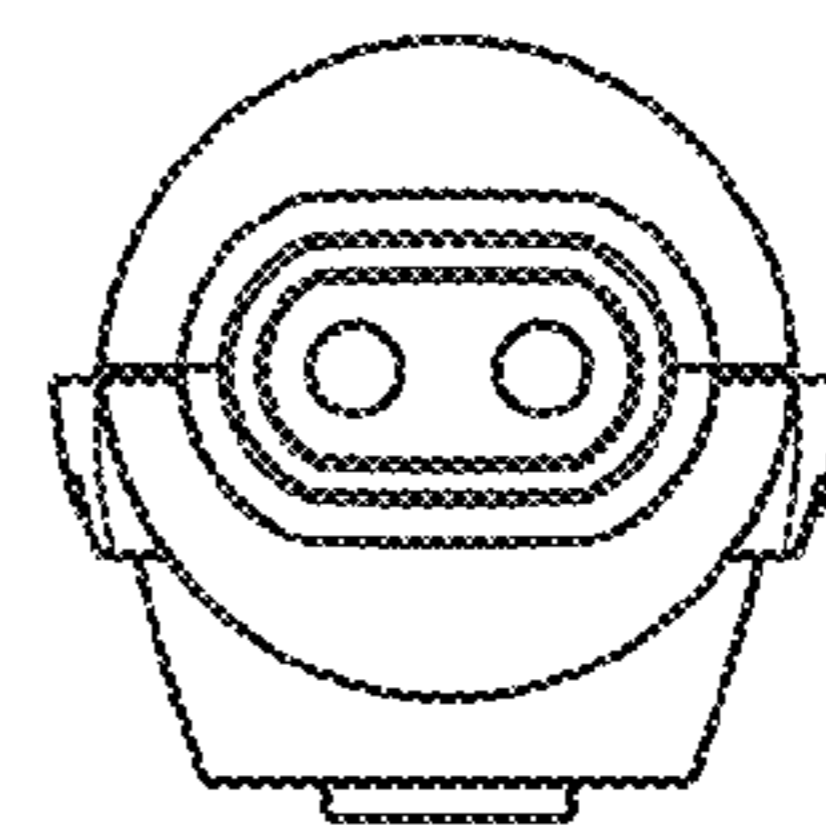


FIG. 5

