



US00D703856S

(12) **United States Design Patent**
Shargh

(10) **Patent No.:** **US D703,856 S**

(45) **Date of Patent:** **** Apr. 29, 2014**

(54) **DOOR-ACTIVATED ENTRY LIGHT FIXTURE**

(71) Applicant: **Hampton Products International Corporation**, Foothill Ranch, CA (US)

(72) Inventor: **Hossein Molaie Shargh**, Corona, CA (US)

(73) Assignee: **Hampton Products International Corporation**, Foothill Ranch, CA (US)

(**) Term: **14 Years**

(21) Appl. No.: **29/460,588**

(22) Filed: **Jul. 12, 2013**

(51) **LOC (10) Cl.** **26-05**

(52) **U.S. Cl.**
USPC **D26/72**

(58) **Field of Classification Search**
USPC D26/24, 26, 59, 72, 85, 89, 118, 128,
D26/130, 134-136; 362/100, 147, 350,
362/404-408, 453-456, 373
See application file for complete search history.

(56) **References Cited**

U.S. PATENT DOCUMENTS

D101,406 S *	9/1936	Schulte	D26/85
D222,117 S *	9/1971	Baatz	D26/85
D234,623 S *	3/1975	Gore	D26/24
D287,408 S *	12/1986	Gaines	D26/26
D323,898 S *	2/1992	Schwartz	D26/26
D343,015 S *	1/1994	Yuen	D26/26
D443,377 S *	6/2001	Handsaker	D26/72
D503,822 S *	4/2005	Monroe et al.	D26/85
D536,111 S *	1/2007	Li et al.	D26/24
D586,028 S *	2/2009	Condon et al.	D26/72

D586,935 S *	2/2009	Lassen	D26/72
D622,424 S *	8/2010	Smith	D26/26
D627,916 S *	11/2010	Butteris et al.	D26/85
D644,362 S *	8/2011	Kingston	D26/26
D650,506 S *	12/2011	Kaule	D26/72
D650,507 S *	12/2011	Osiecki et al.	D26/72

* cited by examiner

Primary Examiner — Clare E Heflin

(74) *Attorney, Agent, or Firm* — Klein, O'Neill & Singh, LLP

(57) **CLAIM**

The ornamental design for a door-activated entry light fixture, as shown and described.

DESCRIPTION

FIG. 1 is a perspective view, taken from the front, top, and right side, of a door-activated entry light fixture, in accordance with my new design;

FIG. 2 is a top plan view of the door-activated entry light fixture shown in FIG. 1;

FIG. 3 is a front elevational view of the door-activated entry light fixture shown in FIG. 1;

FIG. 4 is a rear elevational view of the door-activated entry light fixture shown in FIG. 1;

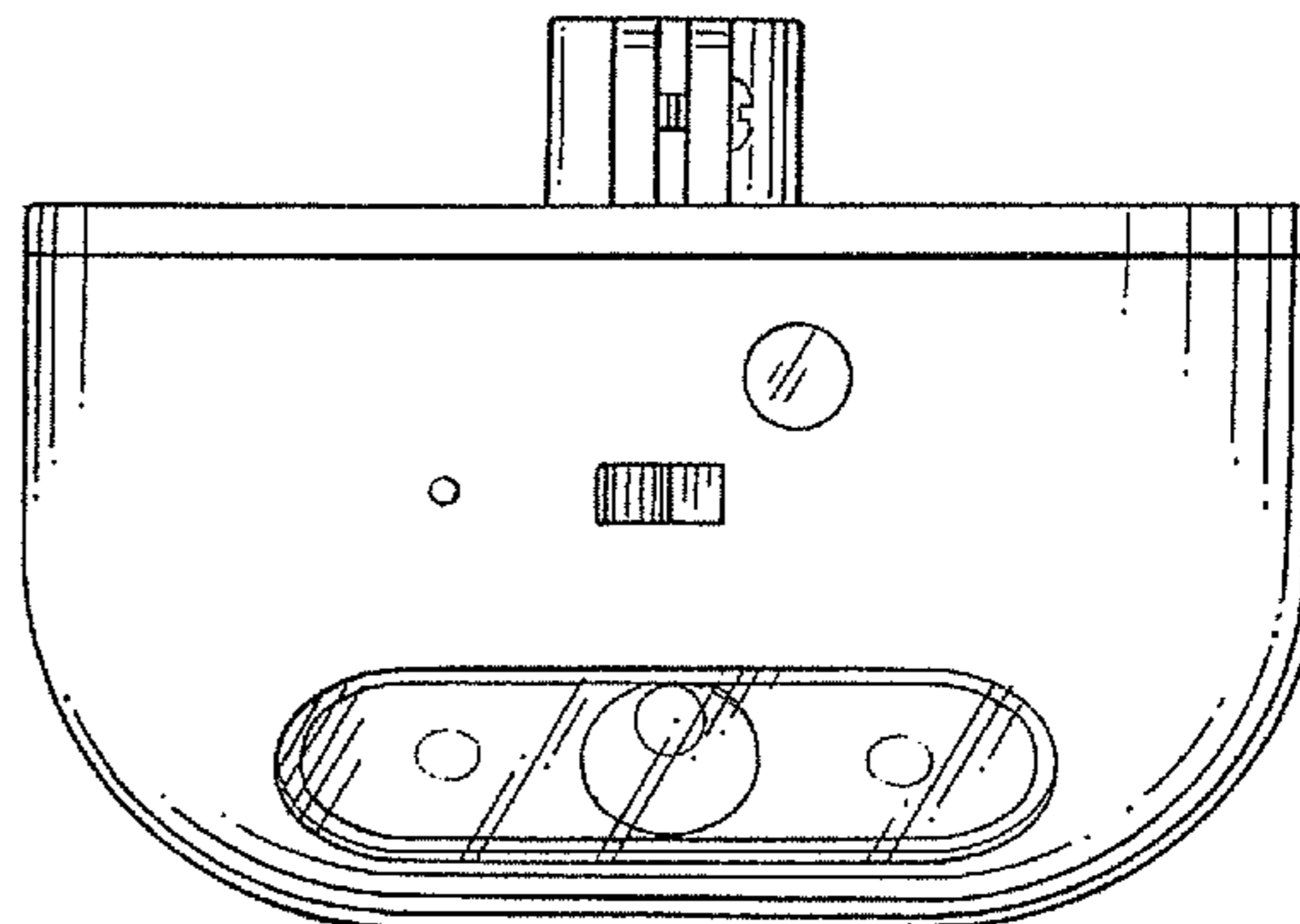
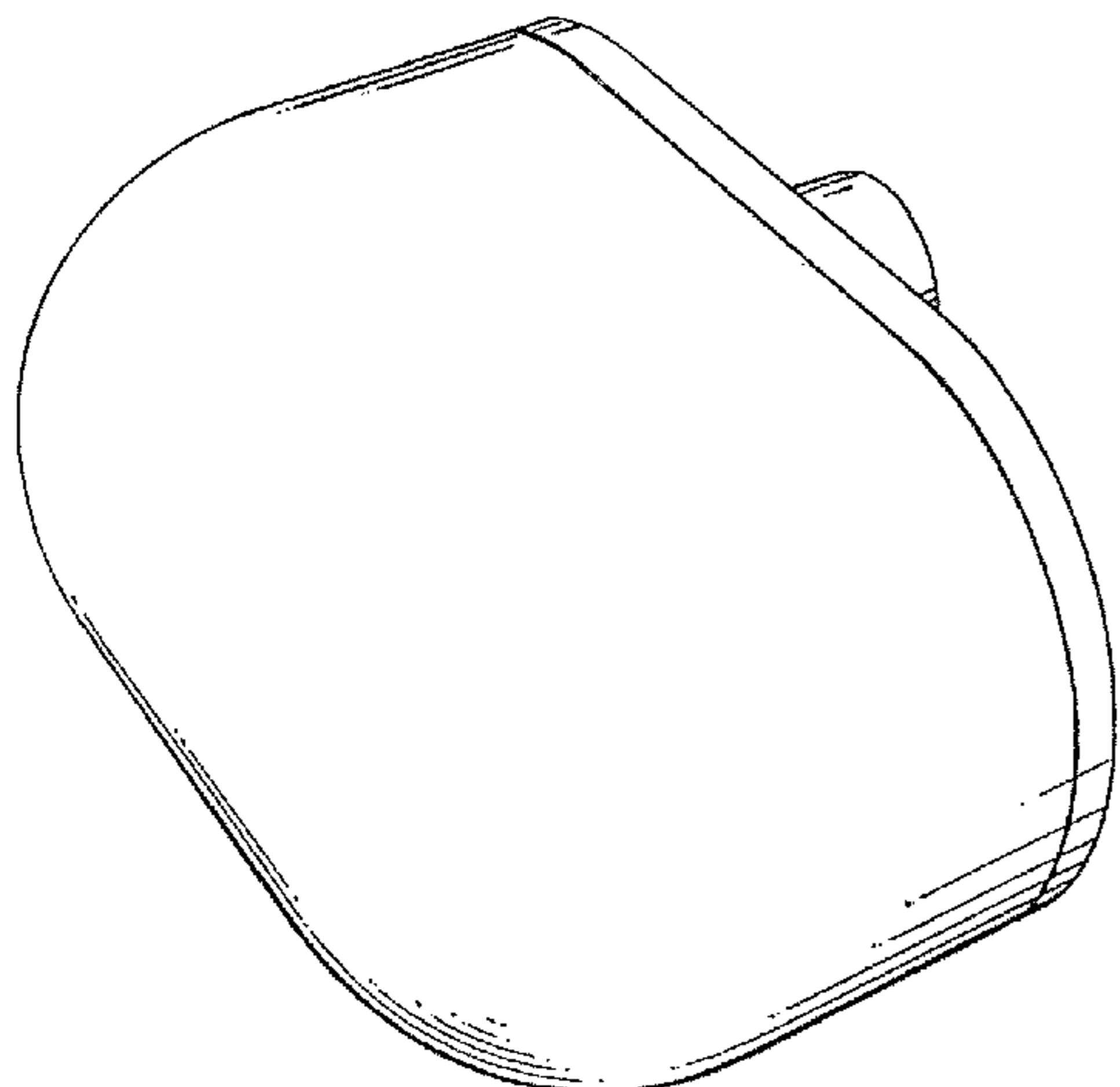
FIG. 5 is a bottom plan view of the door-activated entry light fixture shown in FIG. 1;

FIG. 6 is a side elevational view of the door-activated entry light fixture shown in FIG. 1, taken from the left side of FIG. 1; and,

FIG. 7 is a side elevational view of the door-activated entry light fixture shown in FIG. 1, taken from the right side of FIG. 1.

The broken lines shown on the drawings depict portions of the light fixture that form no part of the claimed design.

1 Claim, 4 Drawing Sheets



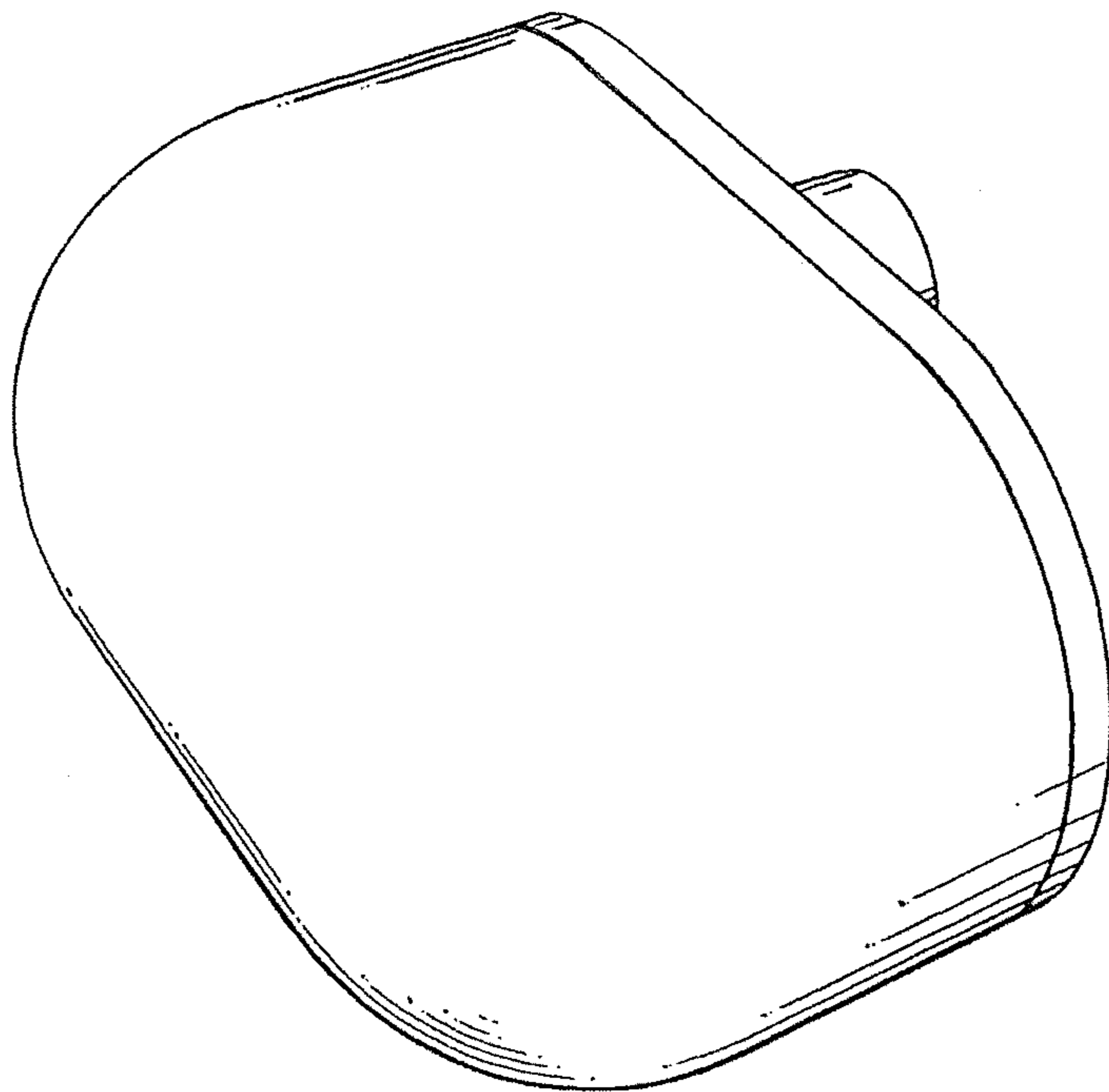


FIG. 1

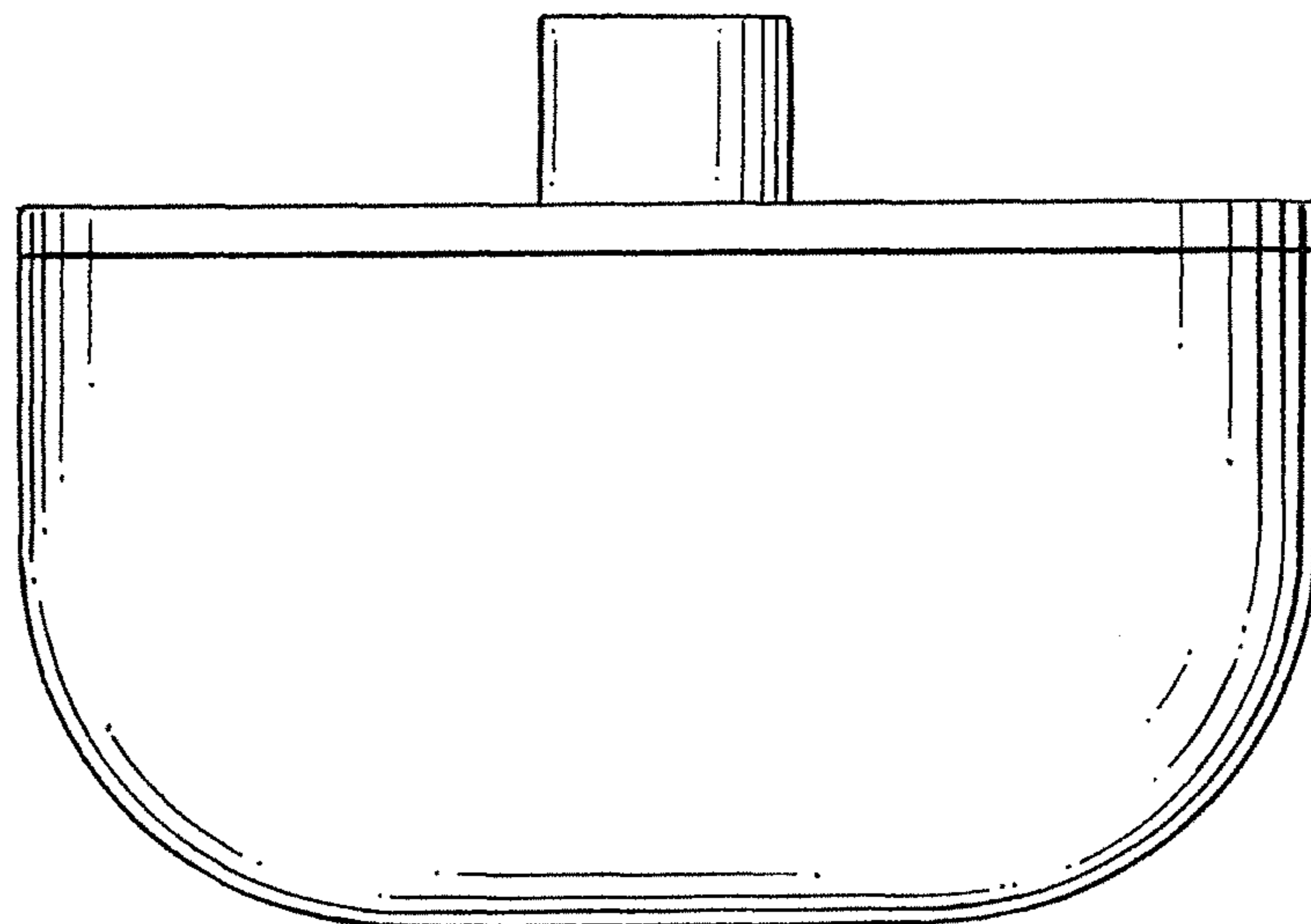


FIG. 2

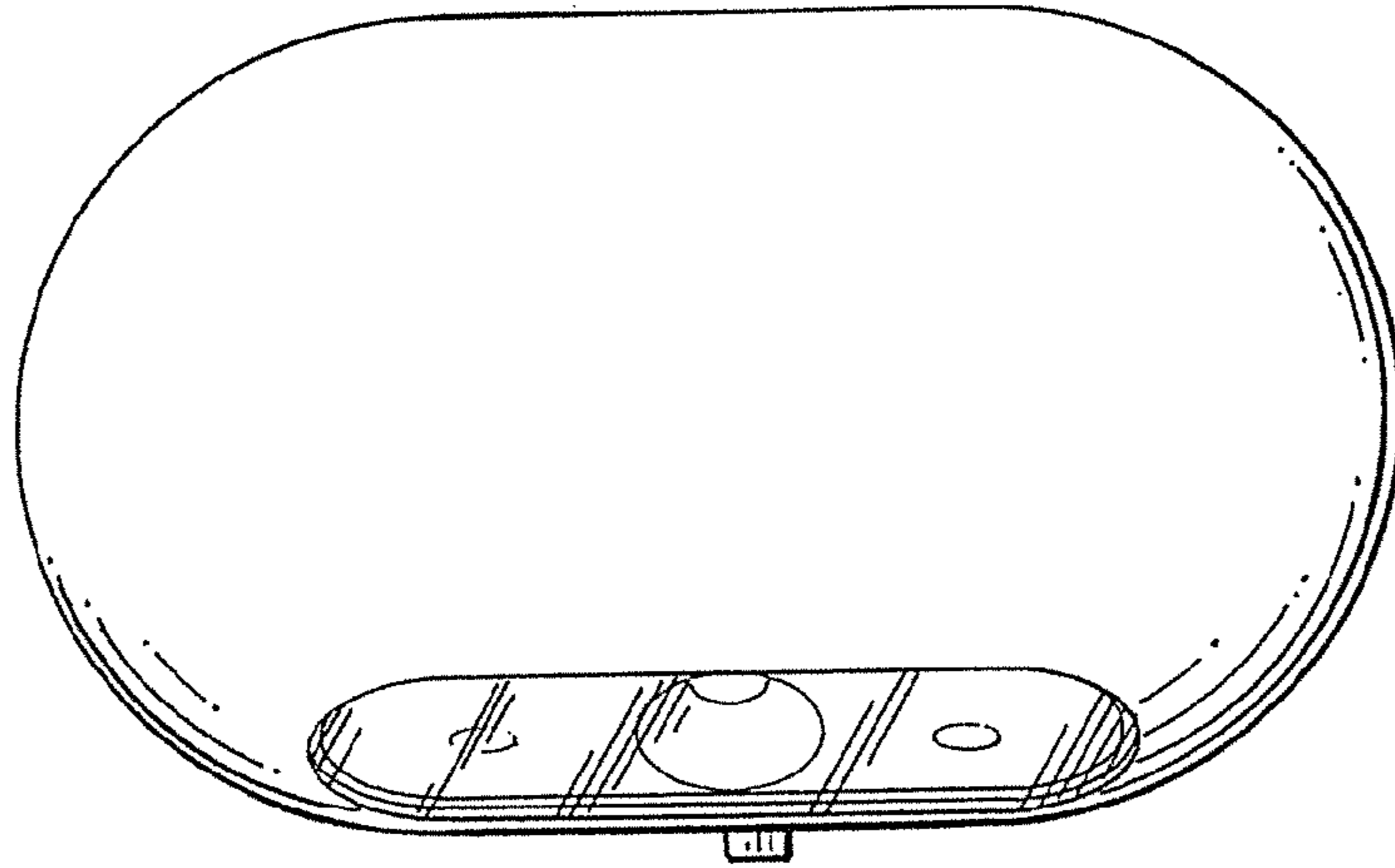


FIG. 3

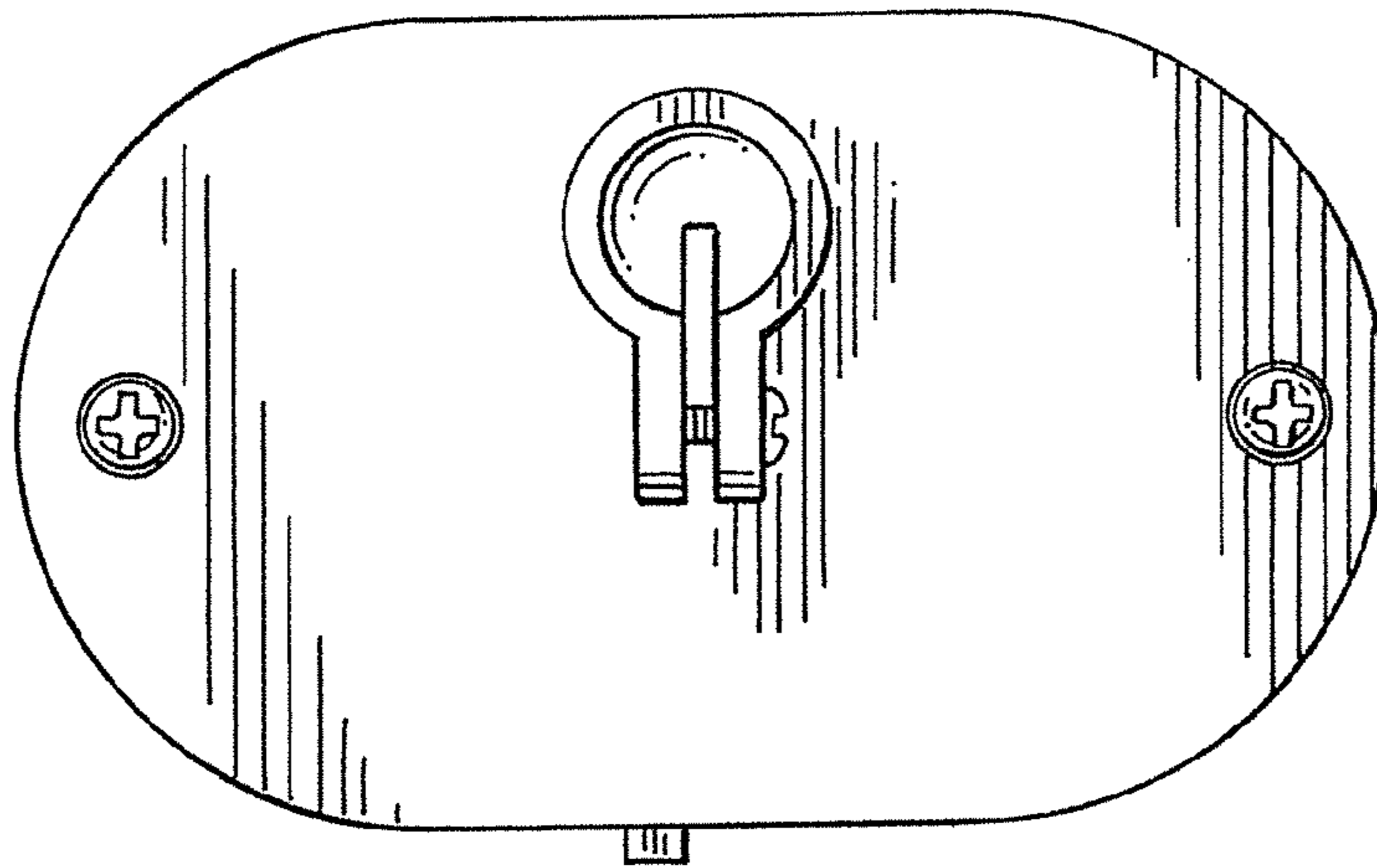


FIG. 4

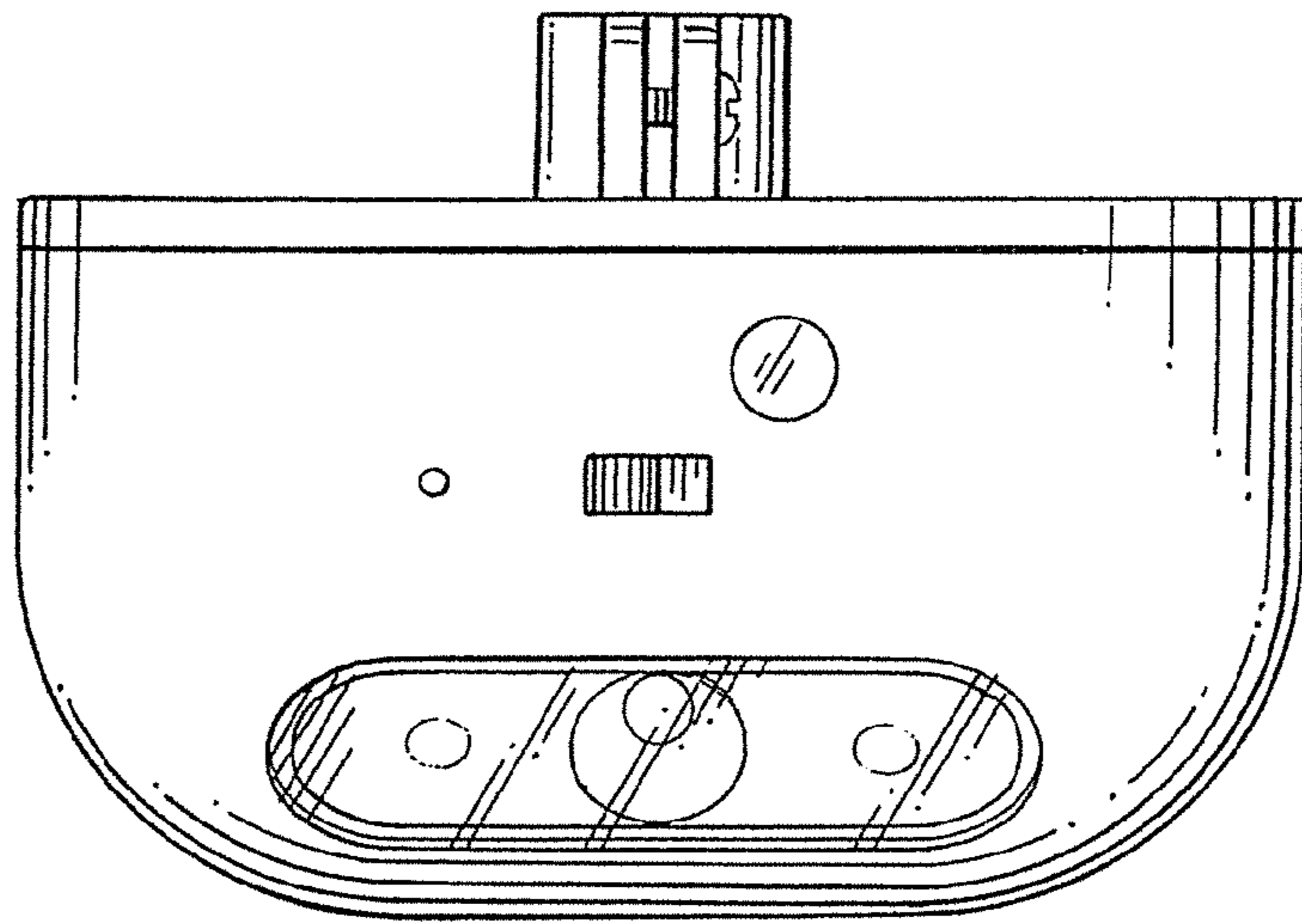


FIG. 5

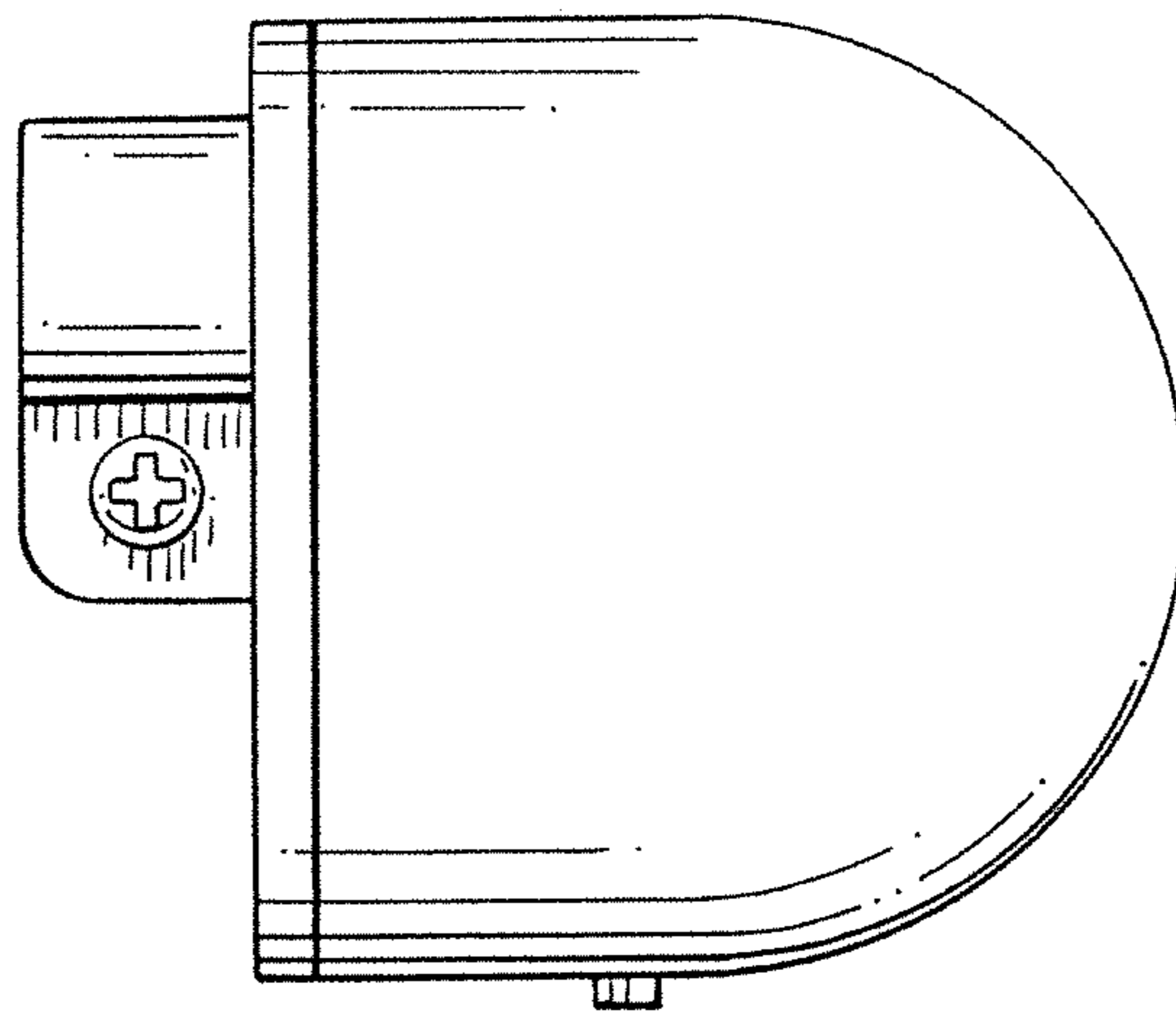


FIG. 6

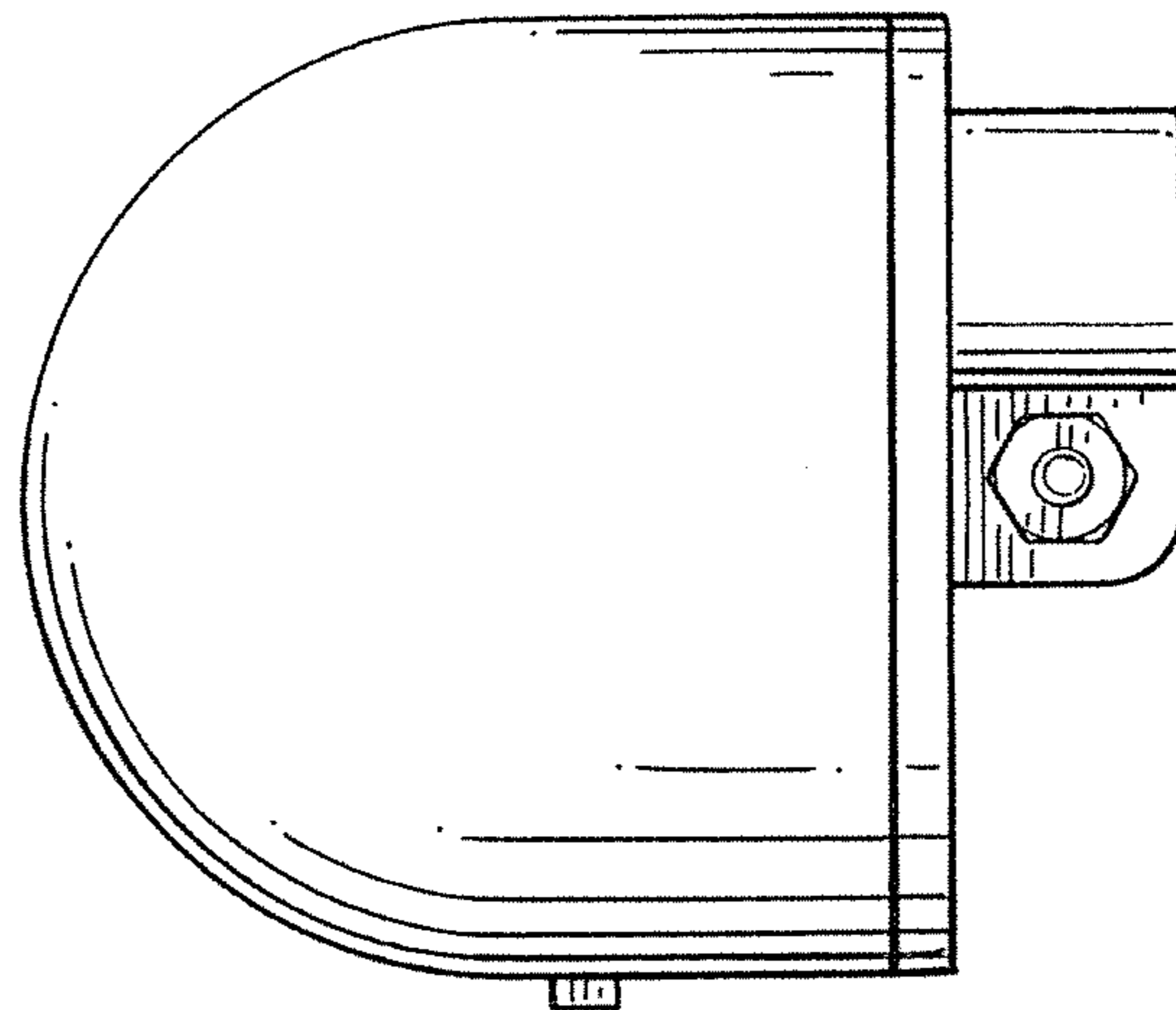


FIG. 7