



US00D703855S

(12) **United States Design Patent**
Maxik et al.

(10) **Patent No.:** **US D703,855 S**

(45) **Date of Patent:** **** Apr. 29, 2014**

(54) **SOLAR-POWERED ROADWAY LIGHT**

(75) Inventors: **Fredric S. Maxik**, Indialantic, FL (US);
Addy G. Widjaja, Palm Bay, FL (US);
Mark Andrew Oostdyk, Cape
Canaveral, FL (US); **Ran Zhou**,
Melbourne, FL (US); **Valerie A. Bastien**,
Melbourne, FL (US); **Robert R. Soler**,
Cocoa Beach, FL (US); **David E.**
Bartine, Cocoa, FL (US)

(73) Assignee: **Lighting Science Group Corporation**,
Satellite Beach, FL (US)

(**) Term: **14 Years**

(21) Appl. No.: **29/419,290**

(22) Filed: **Apr. 26, 2012**

(51) **LOC (10) Cl.** **26-05**

(52) **U.S. Cl.**
USPC **D26/71**

(58) **Field of Classification Search**
USPC D26/67-71, 92; 362/249.01-249.06,
362/294, 373, 431, 183
See application file for complete search history.

(56) **References Cited**

U.S. PATENT DOCUMENTS

5,149,188	A *	9/1992	Robbins	362/183
6,942,361	B1 *	9/2005	Kishimura et al.	362/240
D522,163	S *	5/2006	Begasse	D26/71
D598,156	S *	8/2009	Xiao et al.	D26/69
D608,926	S *	1/2010	Xiao et al.	D26/71
D610,733	S *	2/2010	Chang	D26/71
D614,318	S *	4/2010	Lodhie	D26/1

D622,887	S *	8/2010	Lewis	D26/71
D622,888	S *	8/2010	Chakravarty et al.	D26/71
D632,416	S *	2/2011	Wright et al.	D26/71
D672,078	S *	12/2012	Lui et al.	D26/71
D684,285	S *	6/2013	Maxik et al.	D26/71
2009/0186745	A1 *	7/2009	Lewiston	482/2

* cited by examiner

Primary Examiner — Clare E Heflin

(74) *Attorney, Agent, or Firm* — Mark R. Malek; Zies
Widerman & Malek

(57) **CLAIM**

The ornamental design for a solar-powered roadway light, as shown and described.

DESCRIPTION

FIG. 1 is a perspective view of a solar-powered roadway light according to the present invention.

FIG. 2 is a top view of the solar-powered roadway light illustrated in FIG. 1.

FIG. 3 is a bottom view of the solar-powered roadway light illustrated in FIG. 1.

FIG. 4 is a right side view of the solar-powered roadway light illustrated in FIG. 1.

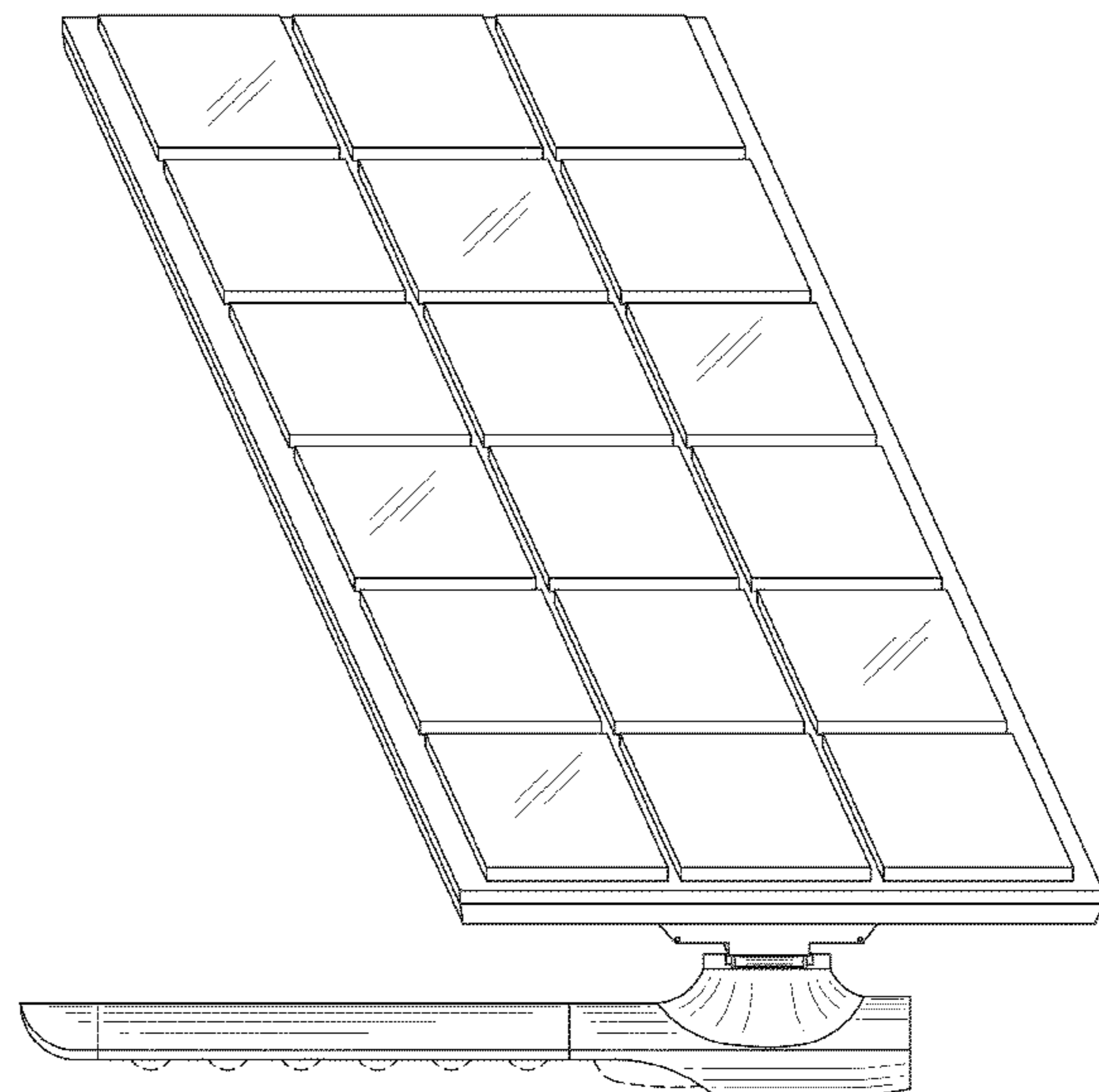
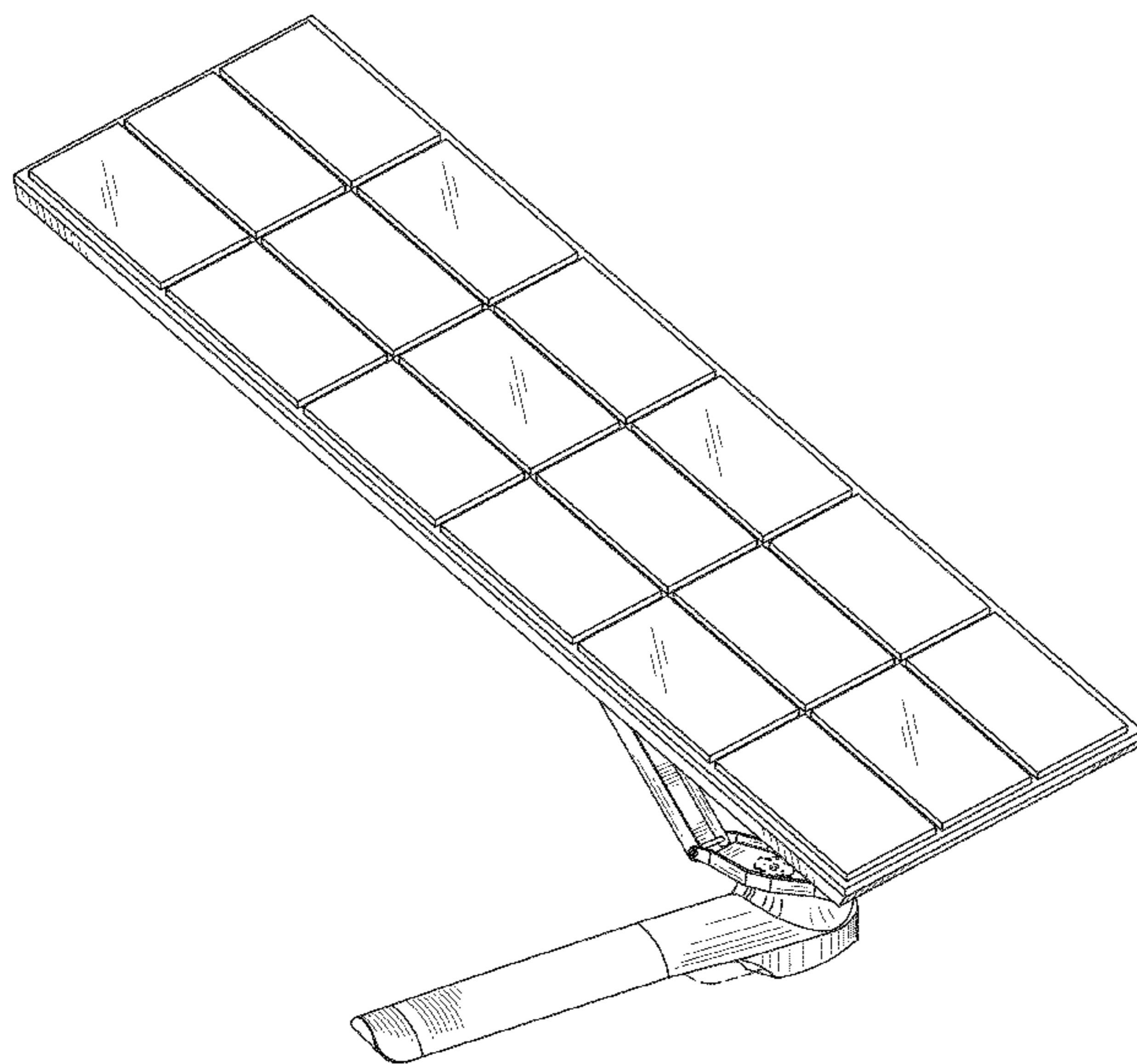
FIG. 5 is a left side view of the solar-powered roadway light illustrated in FIG. 1.

FIG. 6 is a front view of the solar-powered roadway light illustrated in FIG. 1; and,

FIG. 7 is a rear view of the solar-powered roadway light illustrated in FIG. 1.

The broken lines shown on the drawings form no part of the claimed design.

1 Claim, 7 Drawing Sheets



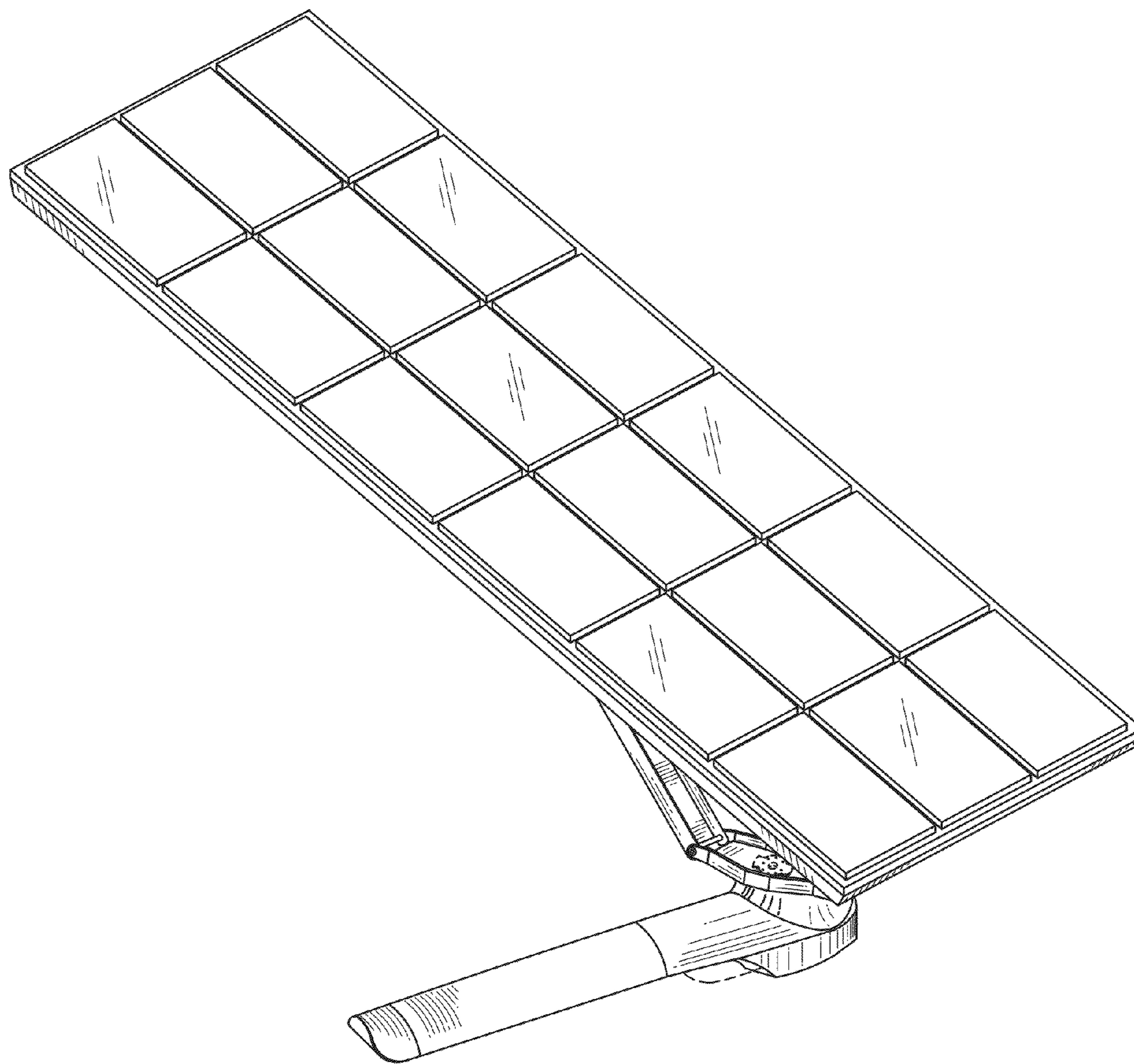


Fig. 1

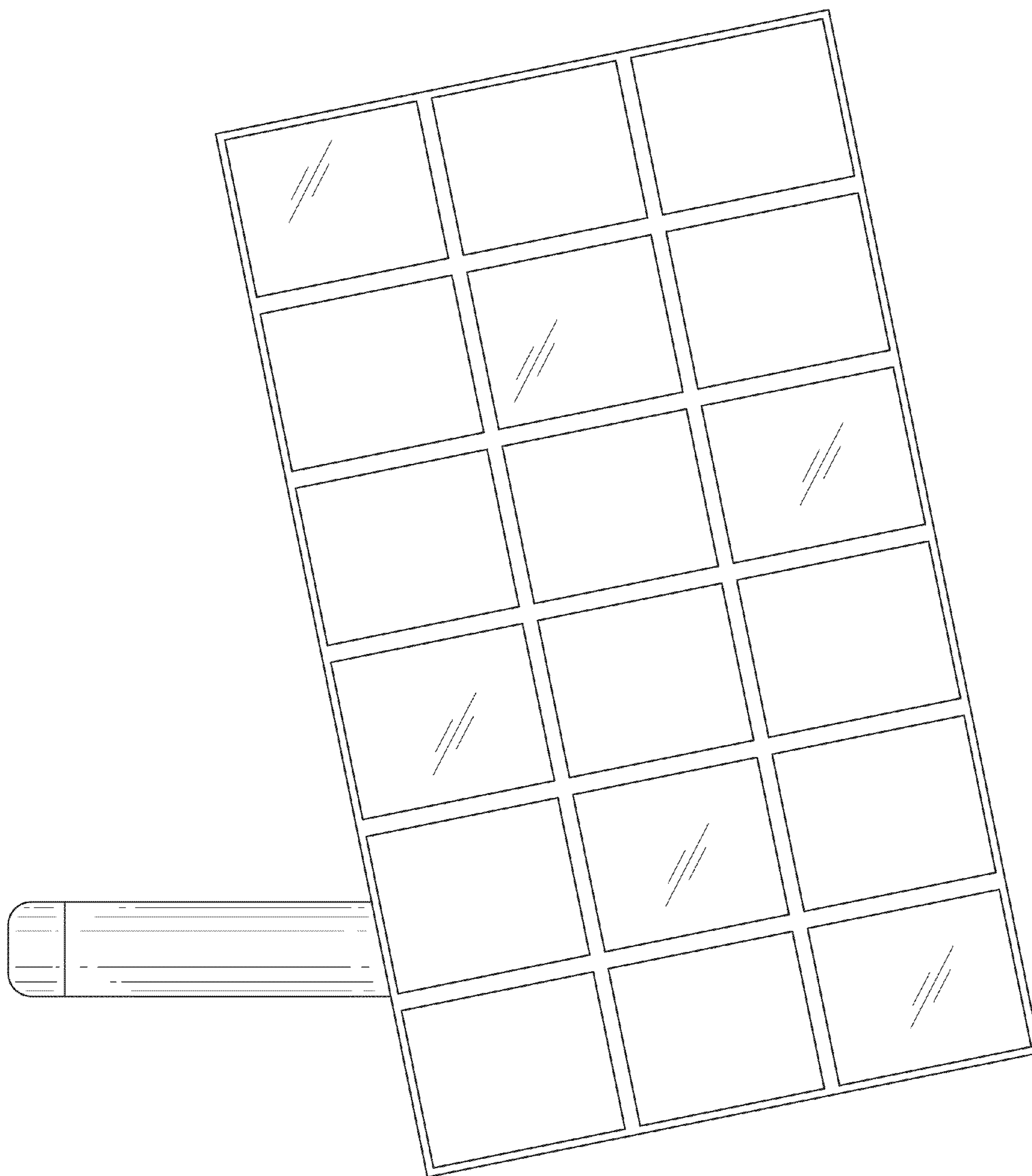


Fig. 2

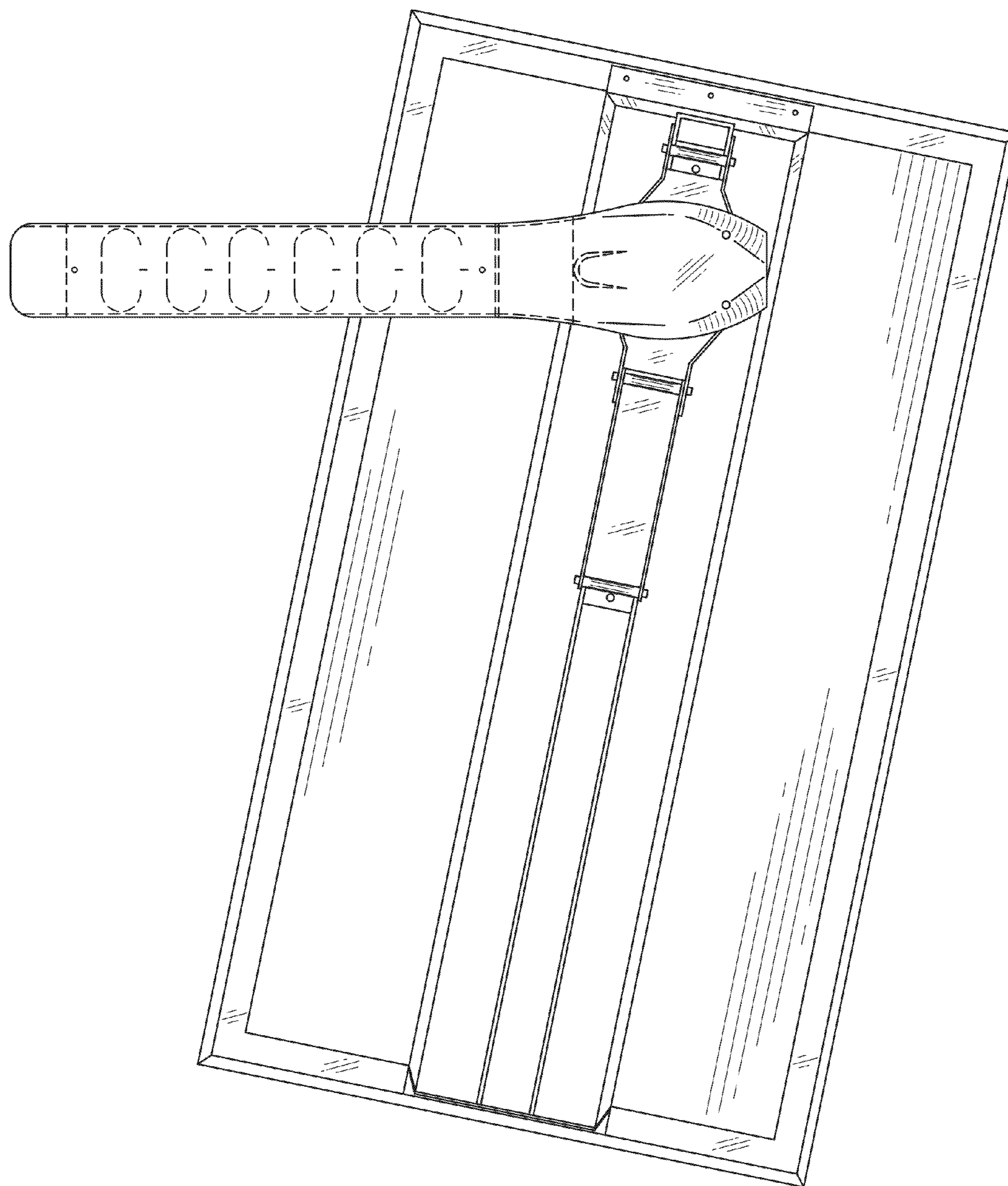


Fig. 3

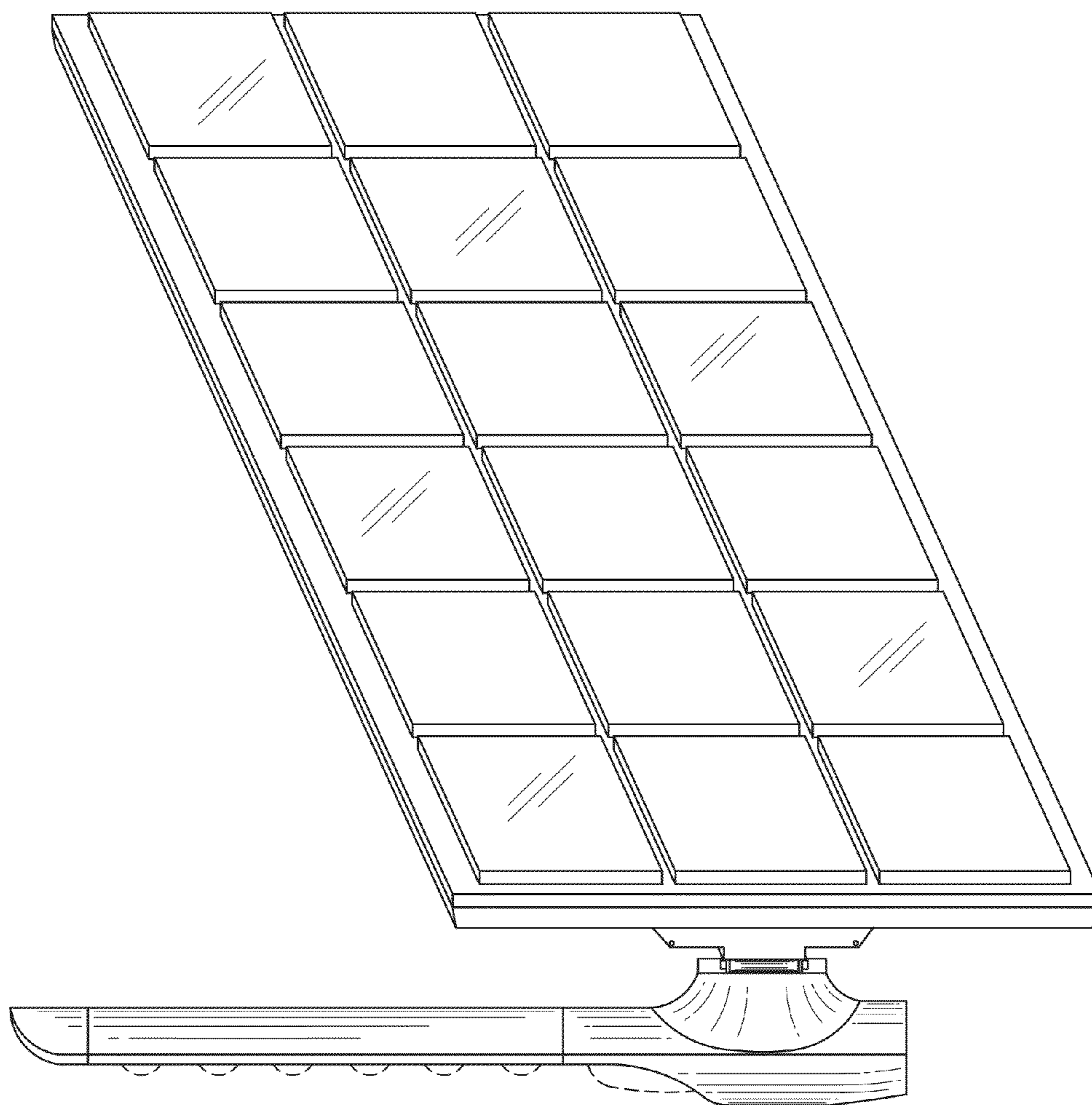


Fig. 4

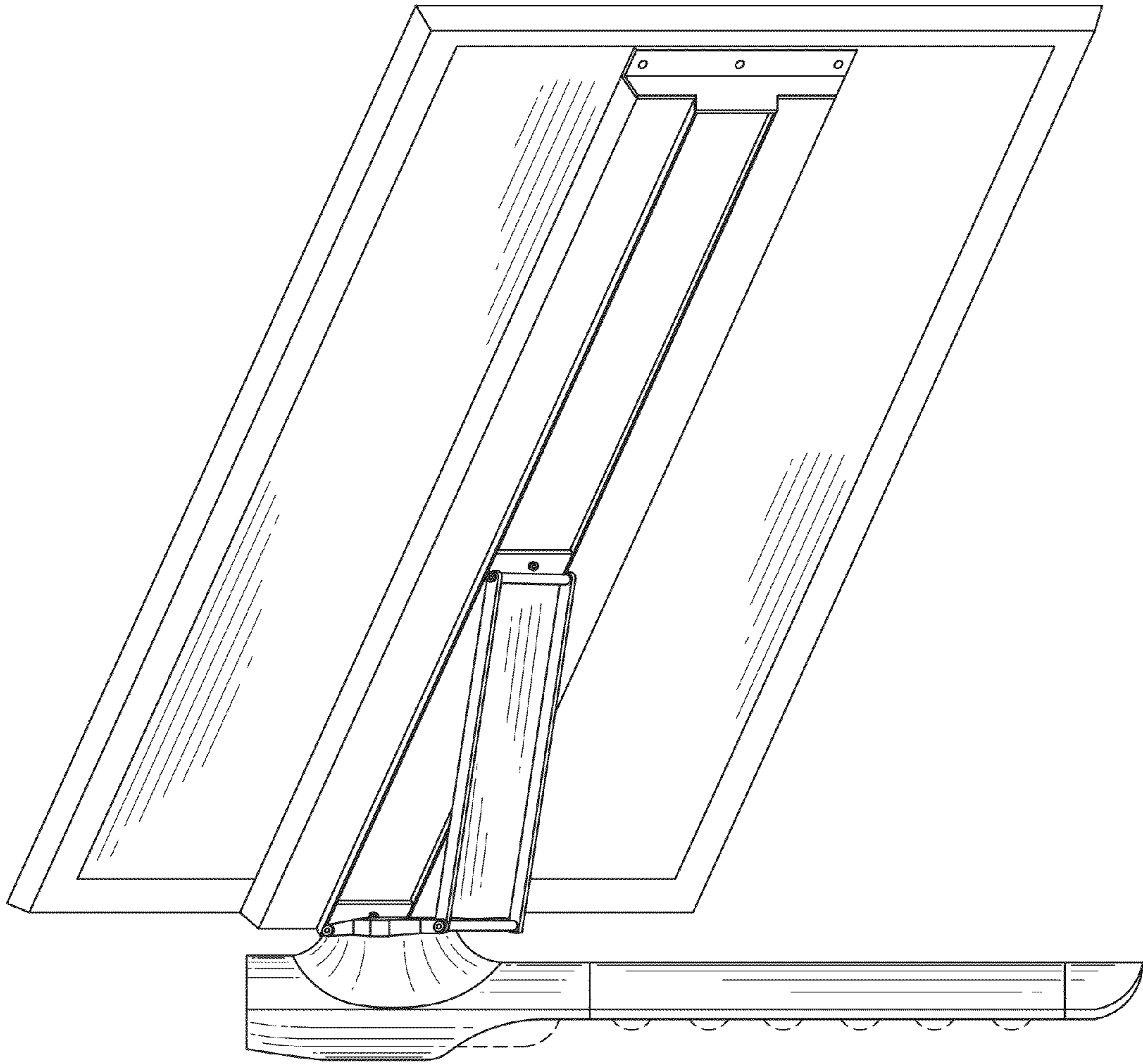


Fig. 5

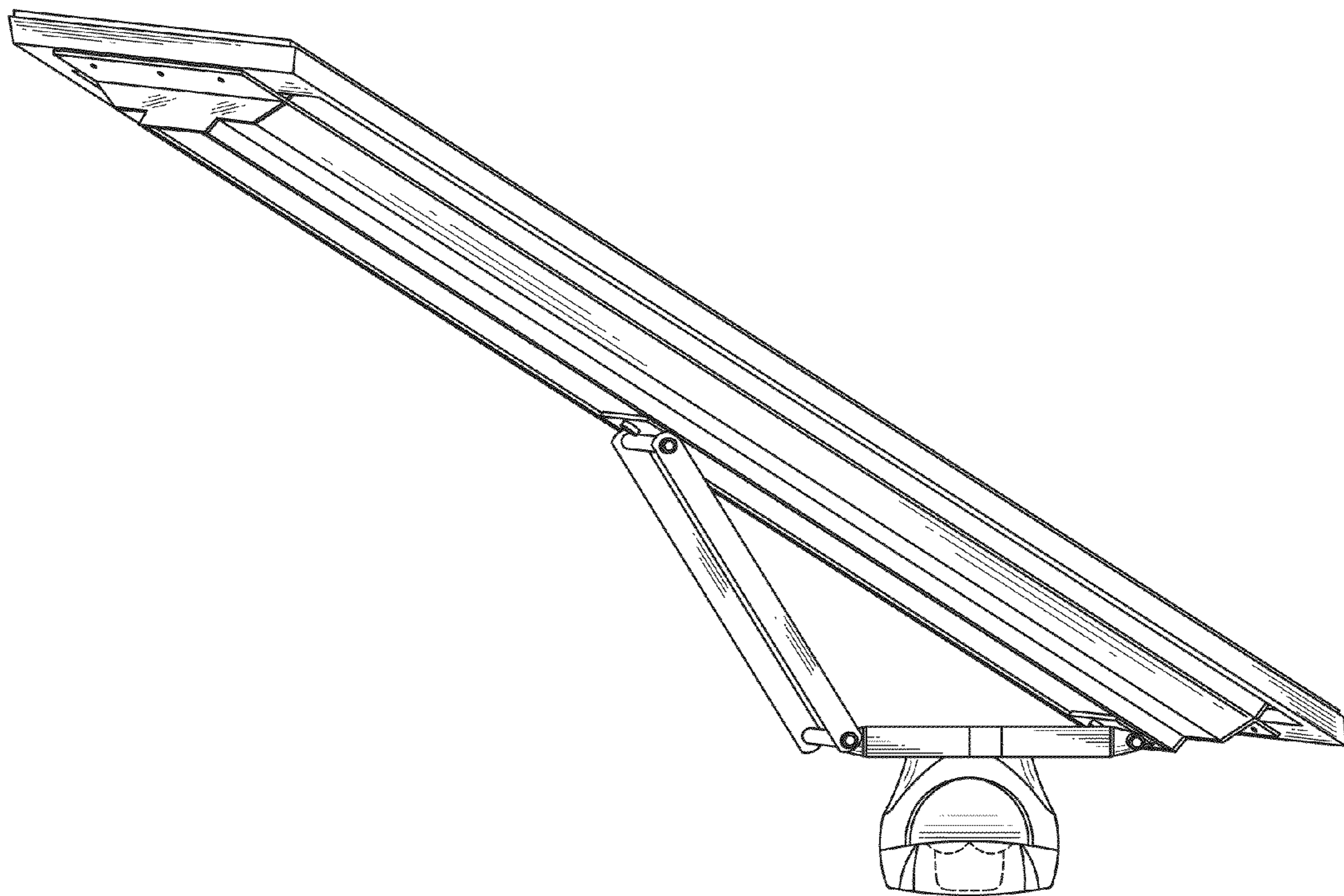


Fig. 6

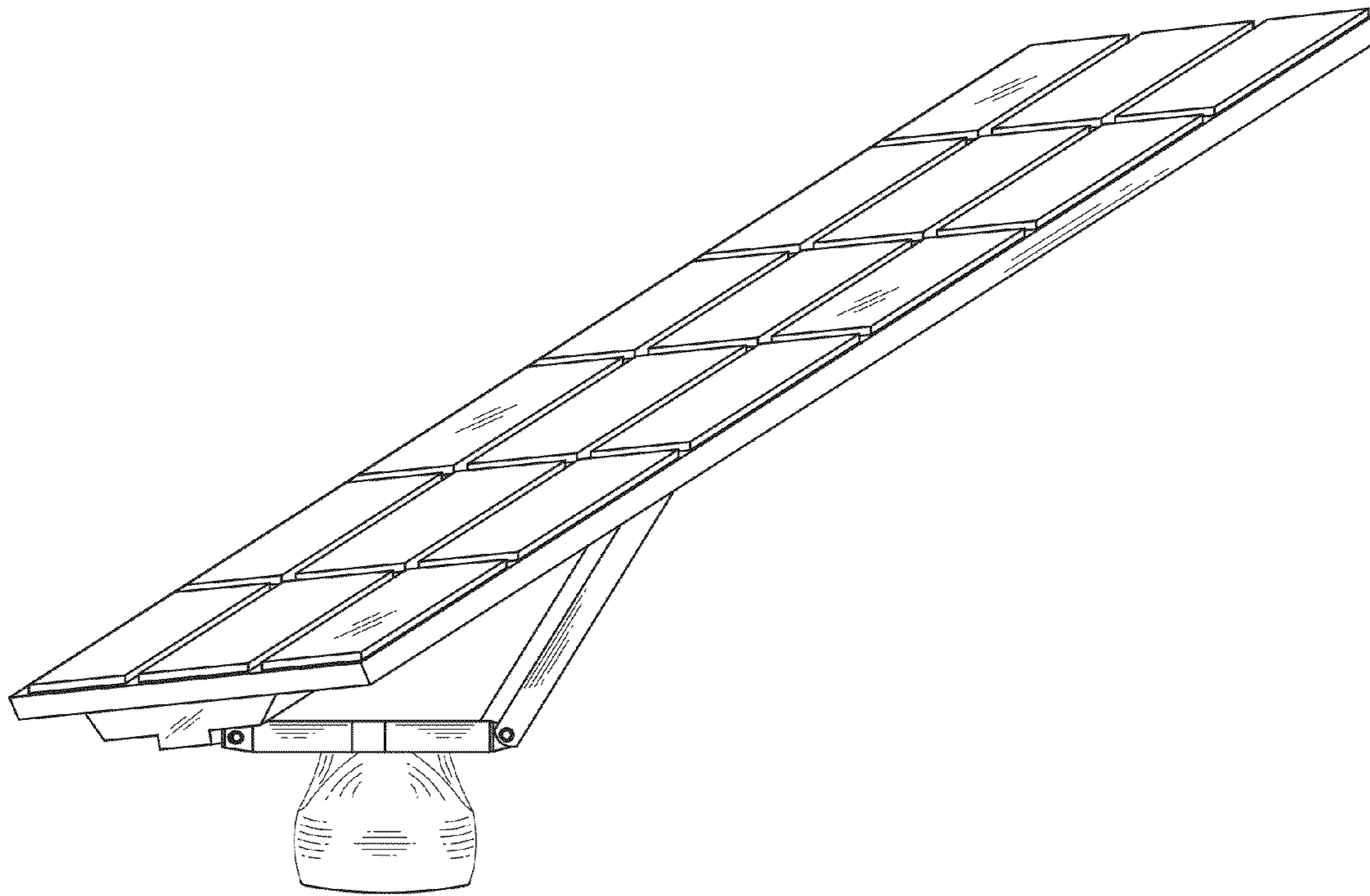


Fig. 7