



US00D703854S

(12) **United States Design Patent**  
**Jones**

(10) **Patent No.:** **US D703,854 S**  
(45) **Date of Patent:** **\*\* Apr. 29, 2014**

(54) **PROJECTOR**

(75) Inventor: **Alexander Jones**, Cambridge (GB)

(73) Assignee: **Osram AG**, Munich (DE)

(\*\*) Term: **14 Years**

(21) Appl. No.: **29/417,369**

(22) Filed: **Apr. 3, 2012**

(30) **Foreign Application Priority Data**

Oct. 17, 2011 (EM) ..... 001932971

(51) **LOC (10) Cl.** ..... **26-03**

(52) **U.S. Cl.**  
USPC ..... **D26/63**

(58) **Field of Classification Search**

USPC ..... D26/24, 60-66, 72, 85, 92, 113,  
D26/118-119; 362/89, 217.01, 217.02,  
362/217.1, 217.14, 217.16, 220, 257,  
362/268-69, 275, 277, 282, 285, 310, 362,  
362/368, 370, 382, 404, 418, 425, 427, 432,  
362/457, 804, 549.04, 648

See application file for complete search history.

(56) **References Cited**

U.S. PATENT DOCUMENTS

D93,934 S *	11/1934	Levy .....	D26/65
D316,154 S *	4/1991	Gecchelin .....	D26/63
D486,259 S *	2/2004	Crawford et al. ....	D26/51
D491,684 S *	6/2004	McInnis .....	D26/63
D536,121 S *	1/2007	Mier-Langner et al. ....	D26/63
D541,459 S *	4/2007	Benghozi .....	D26/63
D546,993 S *	7/2007	Layne .....	D26/63
D560,837 S *	1/2008	Benghozi .....	D26/61
D645,593 S *	9/2011	Janssen .....	D26/63
D662,638 S *	6/2012	Kosche et al. ....	D26/63

\* cited by examiner

*Primary Examiner* — Brian N Vinson

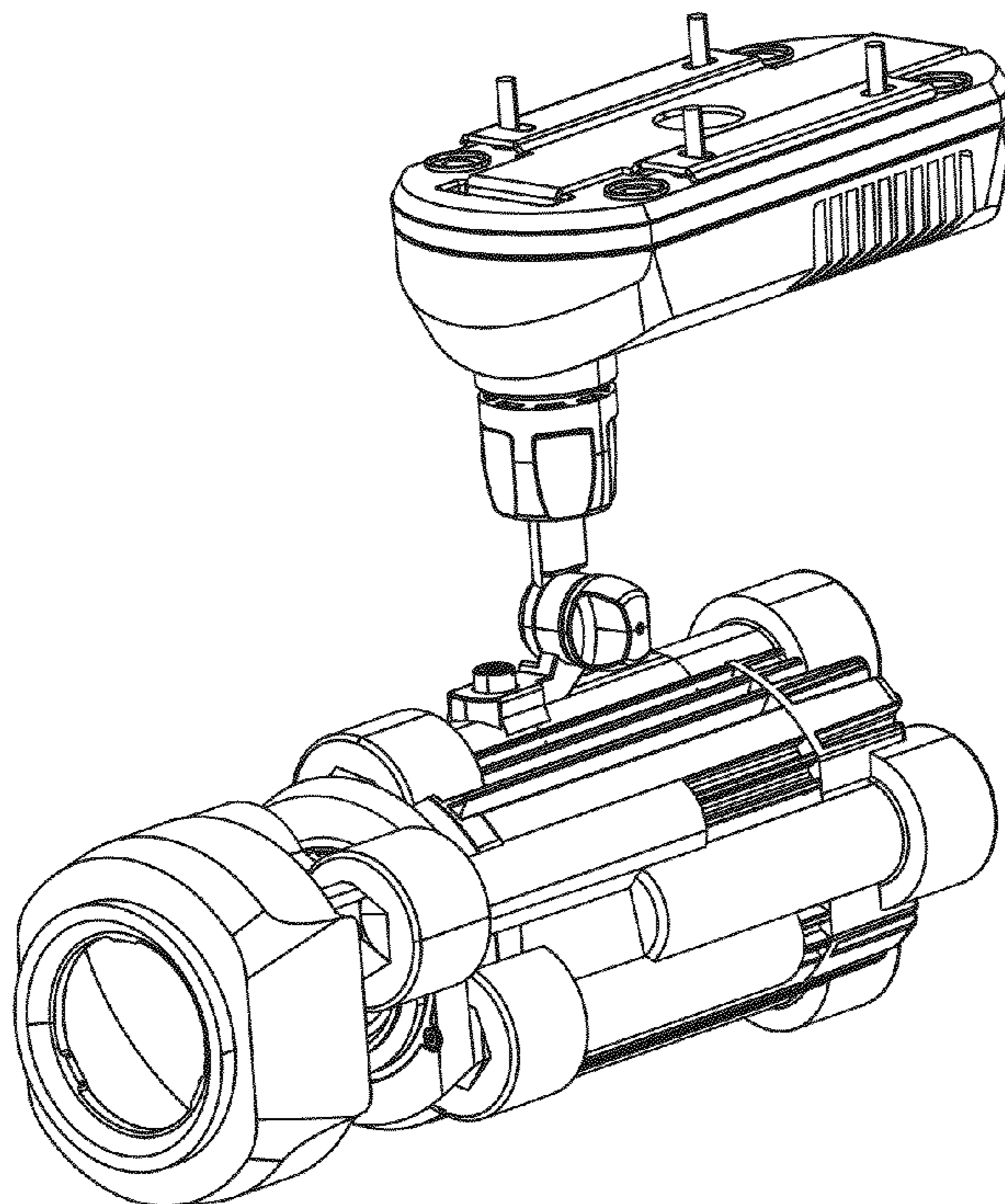
(57) **CLAIM**

The ornamental design for a projector, as shown and described.

**DESCRIPTION**

FIG. 1 is a perspective view of a projector showing my new design;  
FIG. 2 is a left side elevational view thereof;  
FIG. 3 is a top plan view thereof;  
FIG. 4 is a right side elevational view hereof;  
FIG. 5 is a bottom plan view thereof;  
FIG. 6 is a front elevational view thereof; and,  
FIG. 7 is a rear elevational view thereof.

**1 Claim, 4 Drawing Sheets**



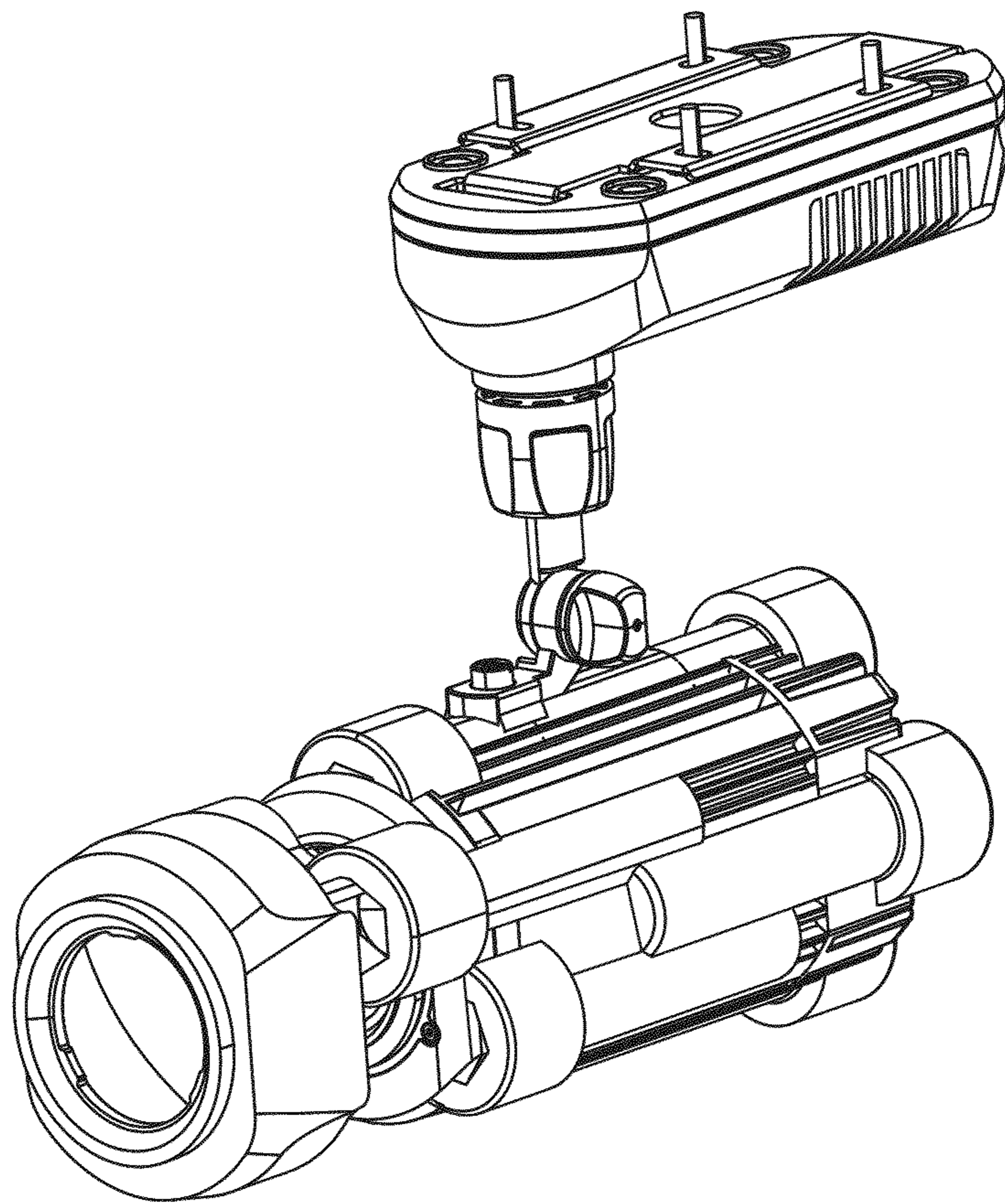


Fig. 1

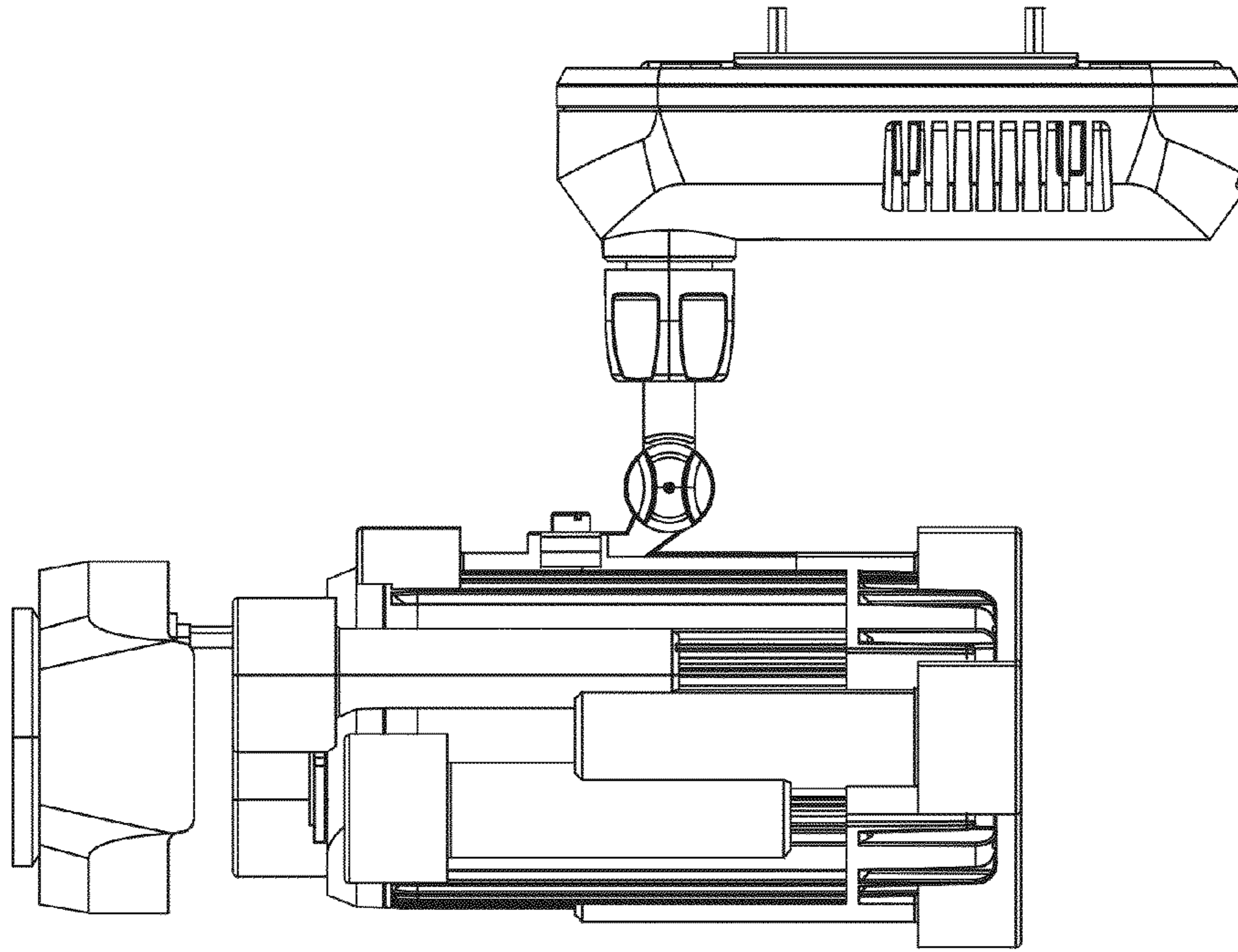


Fig. 2

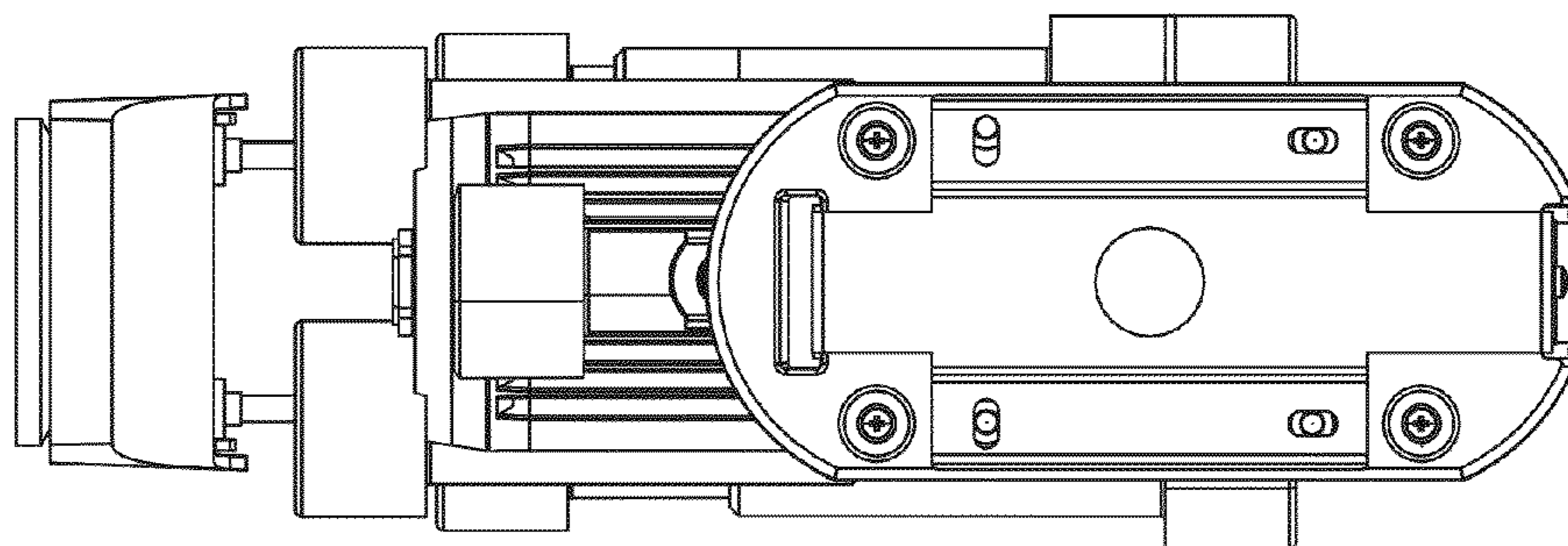


Fig. 3



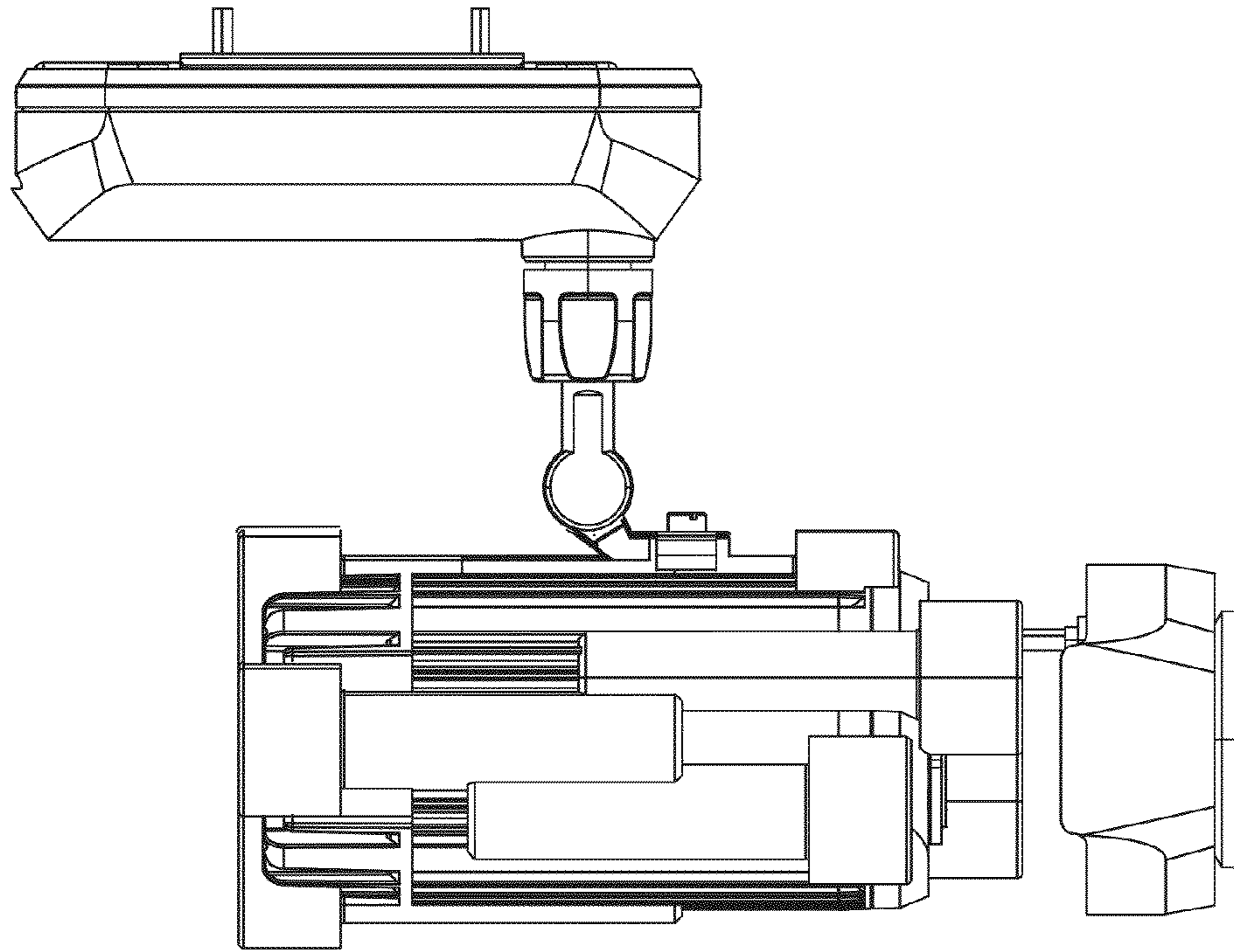


Fig. 4

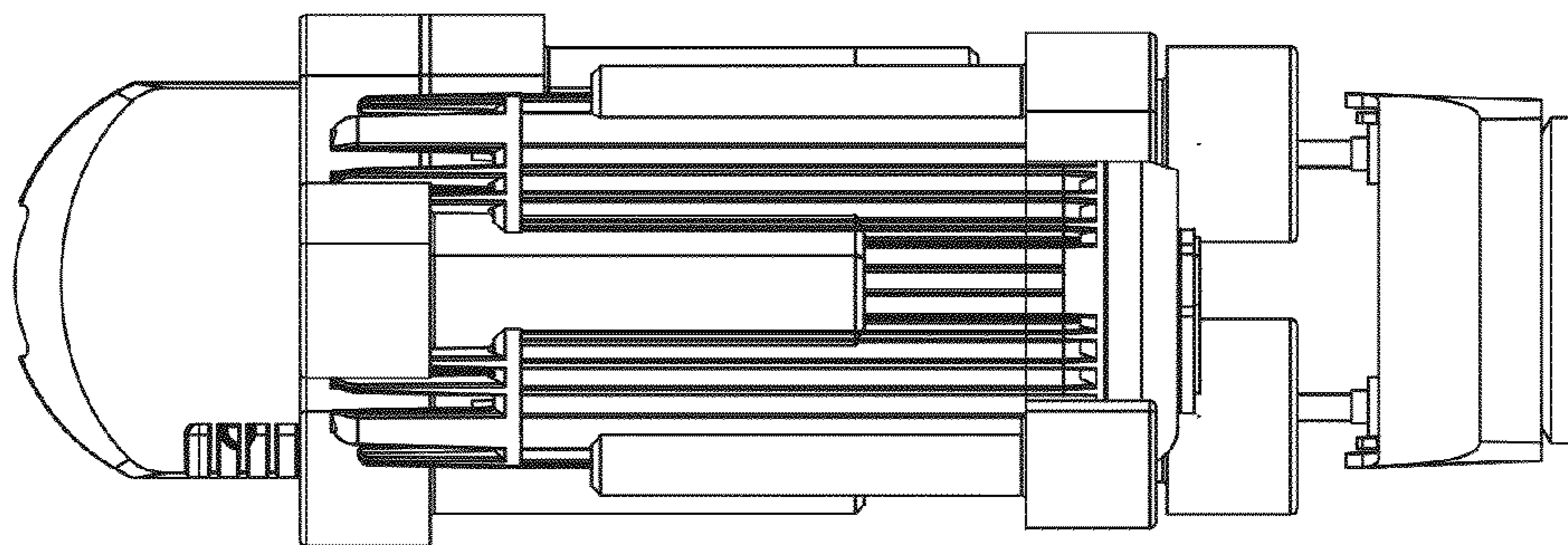


Fig. 5

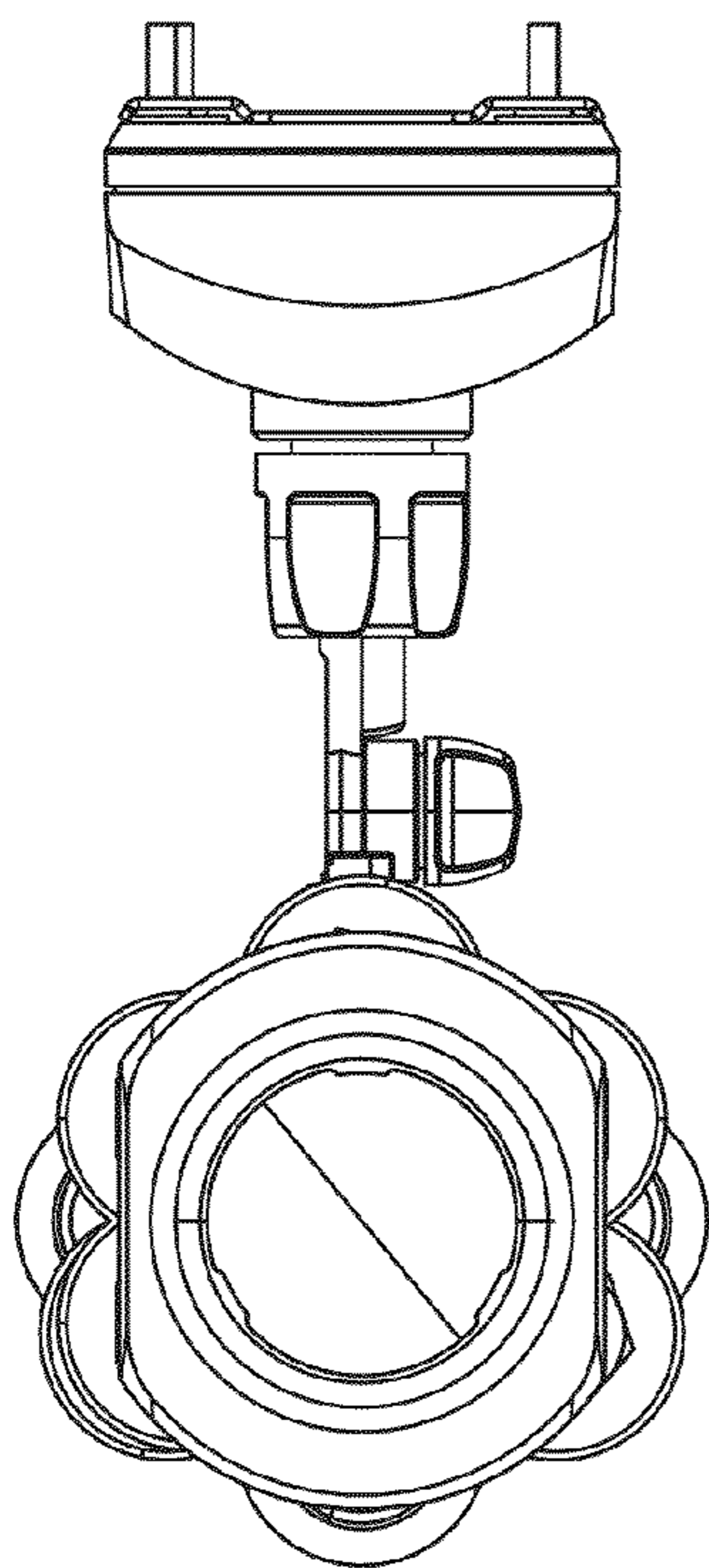


Fig. 6

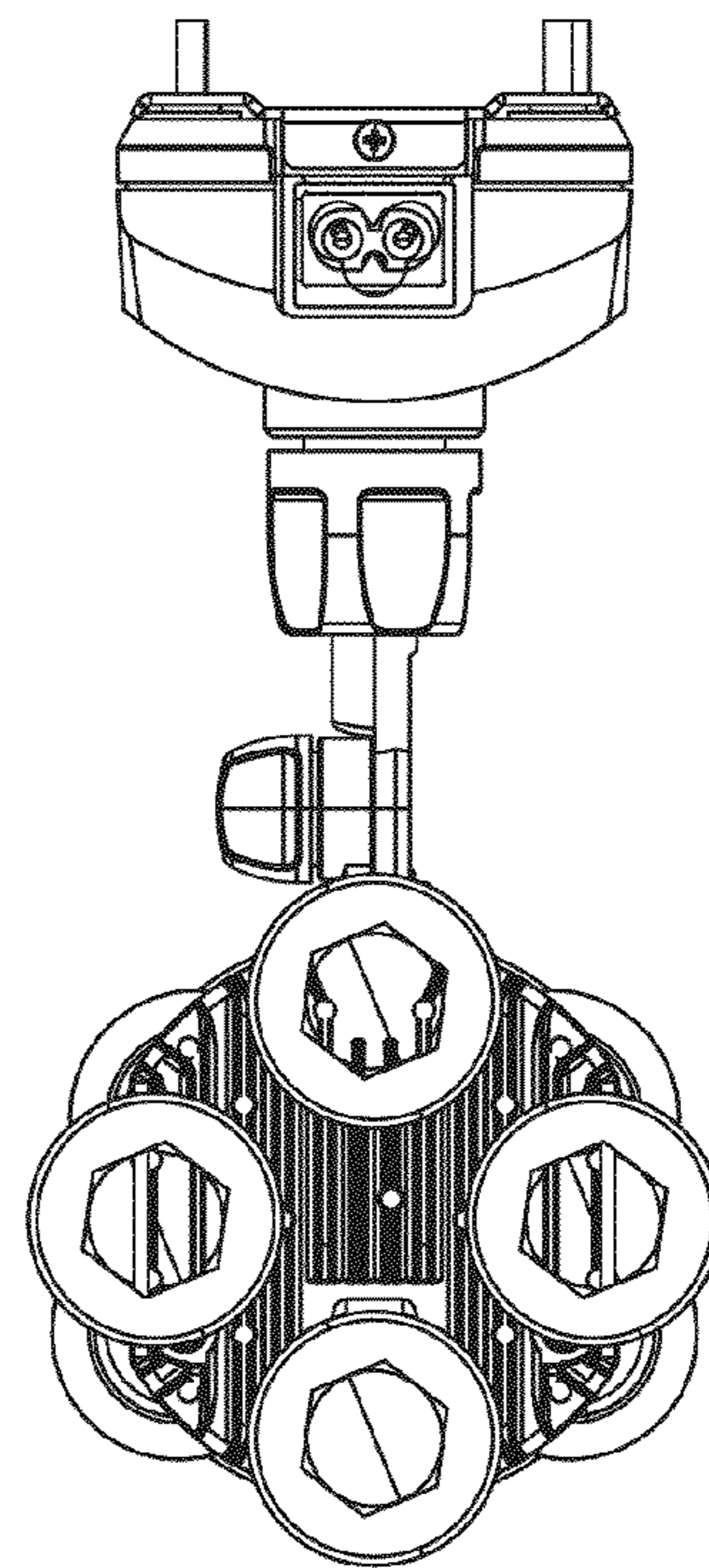


Fig. 7