



US00D703852S

(12) **United States Design Patent**  
**Kamm**

(10) **Patent No.:** **US D703,852 S**

(45) **Date of Patent:** **\*\* \*Apr. 29, 2014**

(54) **FLASHLIGHT**

(75) Inventor: **Benjamin Kamm**, Wiesbaden (DE)

(73) Assignee: **Dieter Rix**, Coesfeld (DE)

(\*) Notice: This patent is subject to a terminal disclaimer.

(\*\*) Term: **14 Years**

(21) Appl. No.: **29/420,345**

(22) Filed: **May 8, 2012**

(30) **Foreign Application Priority Data**

Nov. 8, 2011 (EM) ..... 001944042

(51) **LOC (10) Cl.** ..... **26-02**

(52) **U.S. Cl.**  
USPC ..... **D26/49**

(58) **Field of Classification Search**  
USPC ..... D26/37, 38, 46, 49; 362/157, 158, 184,  
362/194–196, 202–208  
See application file for complete search history.

(56) **References Cited**

**U.S. PATENT DOCUMENTS**

D263,170 S *	2/1982	Maglica	.....	D26/49
D394,321 S *	5/1998	Chiu	.....	D26/37
D427,700 S *	7/2000	Parsons	.....	D26/49
D478,391 S *	8/2003	Saunders	.....	D26/49
D497,020 S *	10/2004	Lee	.....	D26/49
D527,481 S *	8/2006	Opolka	.....	D26/49
D530,439 S *	10/2006	Maglica	.....	D26/49
D533,674 S *	12/2006	Julius et al.	.....	D26/49

D557,836 S *	12/2007	Shiu	.....	D26/37
D557,840 S *	12/2007	Shiu	.....	D26/37
D576,757 S *	9/2008	Hesse et al.	.....	D26/49
D577,845 S *	9/2008	Shiu	.....	D26/49
D580,080 S *	11/2008	Ho	.....	D26/49
D601,285 S *	9/2009	Chen	.....	D26/49
D624,677 S *	9/2010	Deguglimo et al.	.....	D26/49
D629,542 S *	12/2010	Robinson	.....	D26/49
D629,545 S *	12/2010	Deguglimo et al.	.....	D26/49
D629,546 S *	12/2010	Deguglimo et al.	.....	D26/49
D647,232 S *	10/2011	Liu	.....	D26/49

\* cited by examiner

*Primary Examiner* — Ian Simmons

*Assistant Examiner* — Carissa C Fitts

(74) *Attorney, Agent, or Firm* — Hudak, Shunk & Farine Co.  
LPA

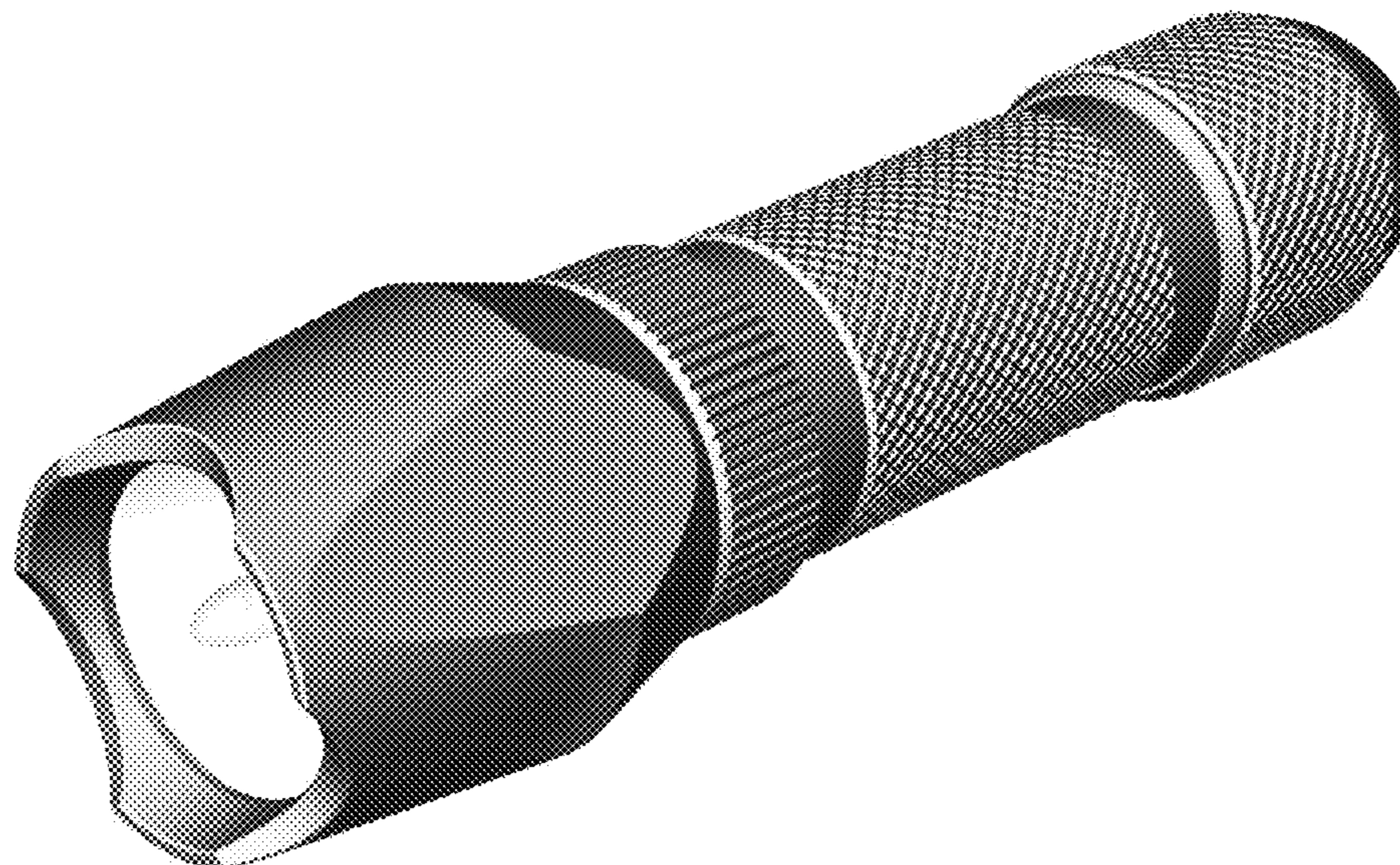
(57) **CLAIM**

The ornamental design for a “flashlight,” as shown and described.

**DESCRIPTION**

FIG. 1 is a front view of the flashlight;  
FIG. 2 is a rear view of the flashlight;  
FIG. 3 is a side view of the flashlight;  
FIG. 4 is a further side view of the flashlight with a partial right axial rotation as compared to FIG. 3;  
FIG. 5 is a side view with the flashlight axially rotated 180° from the view illustrated in FIG. 3.  
FIG. 6 is a front perspective view of the flashlight; and,  
FIG. 7 is a rear perspective view of the flashlight.  
The broken line showing is for environmental purposes only and forms no part of the claimed design.

**1 Claim, 7 Drawing Sheets**



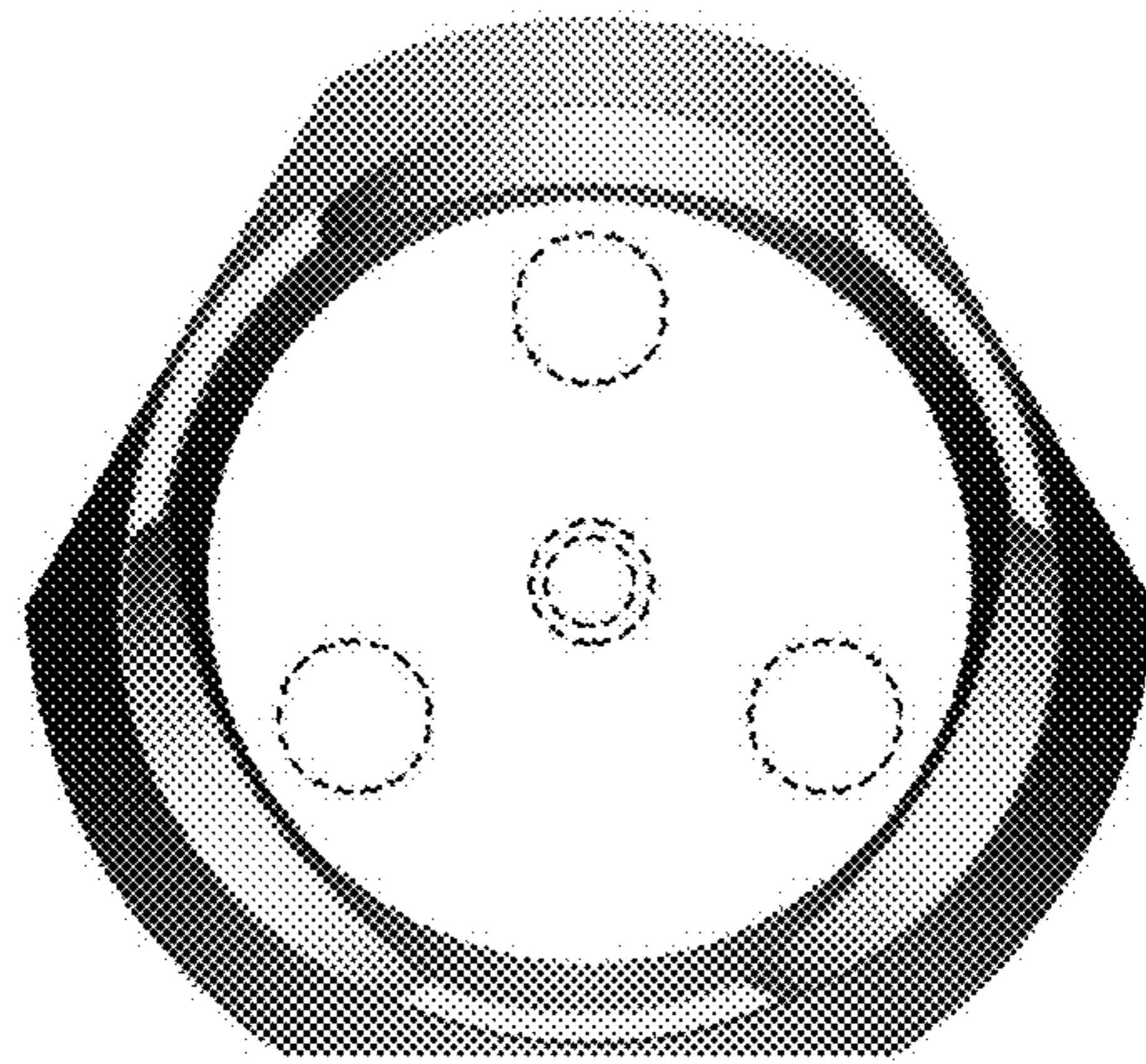


FIG. 1

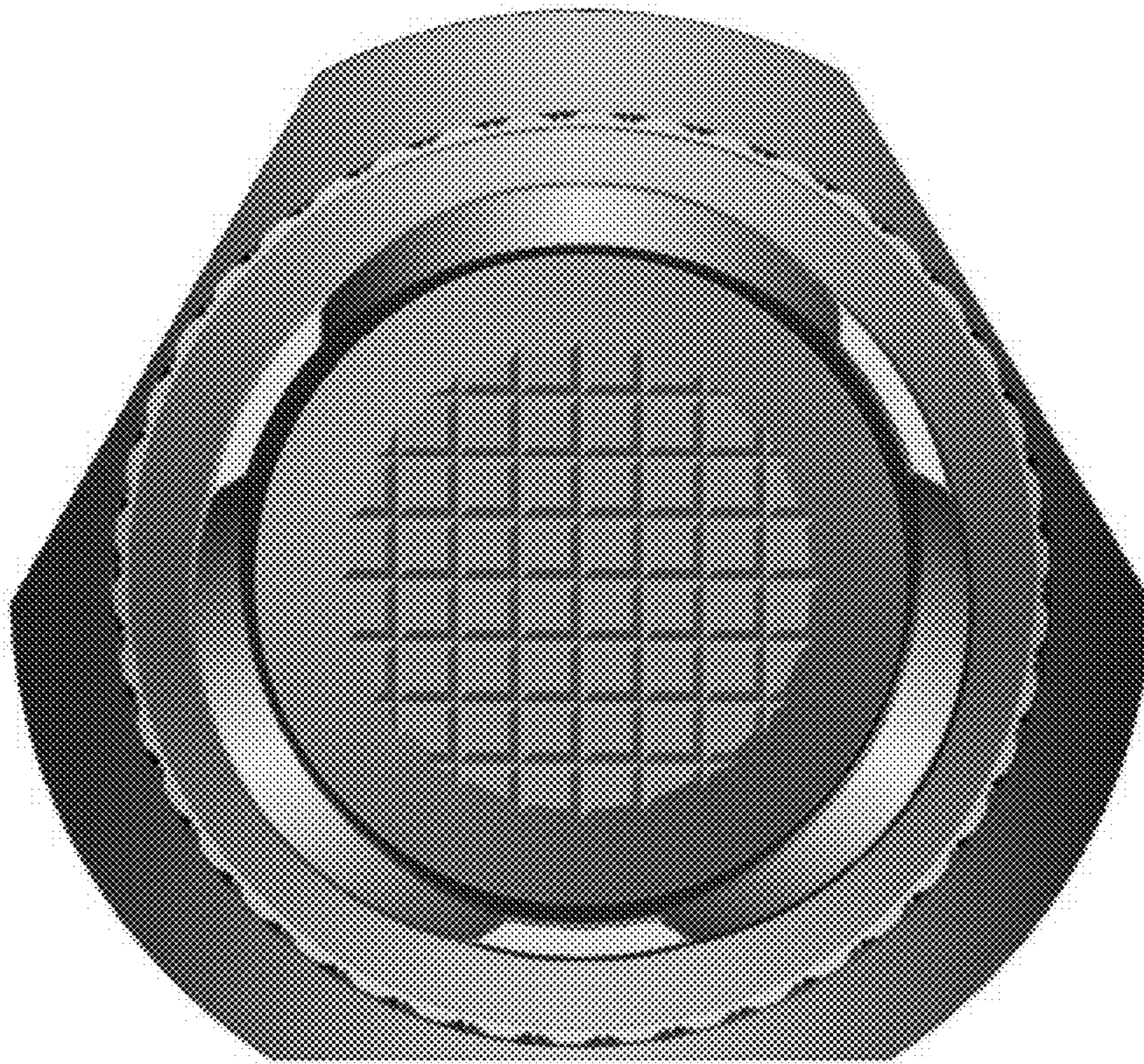


FIG. 2

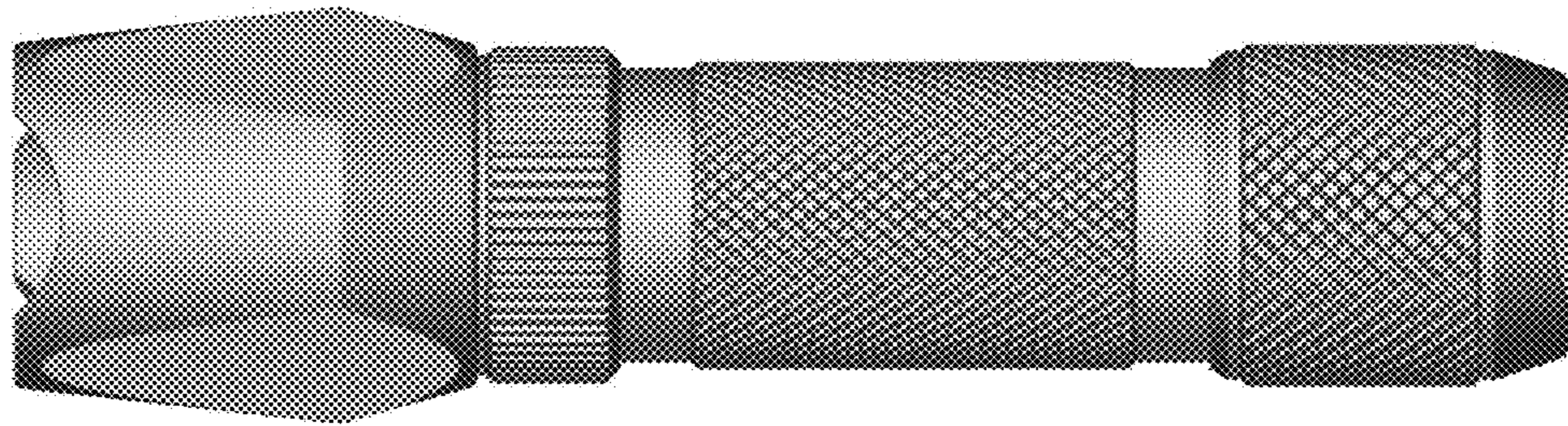


FIG. 3

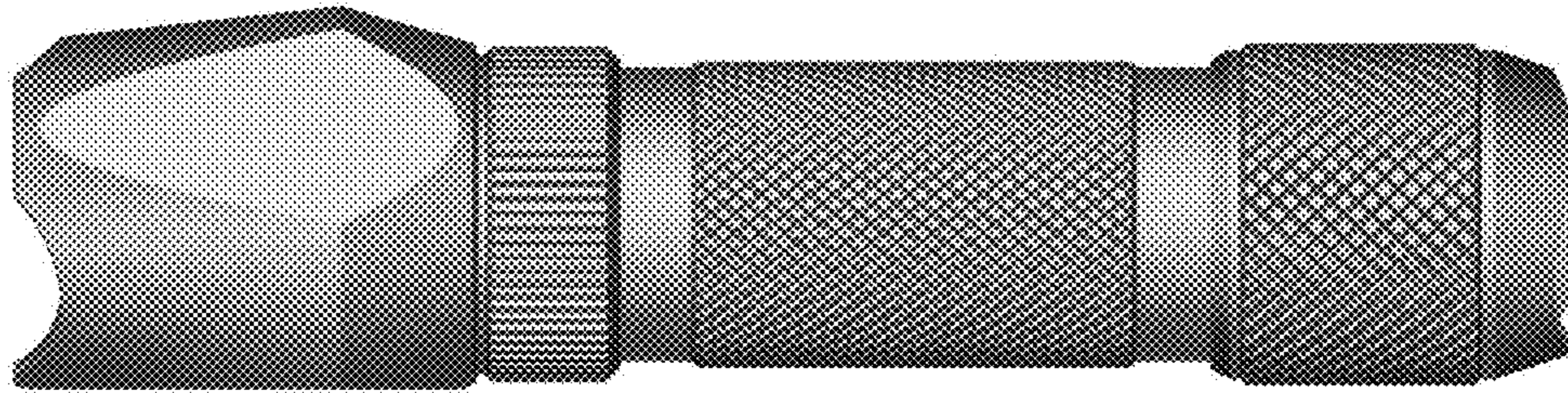


FIG. 4

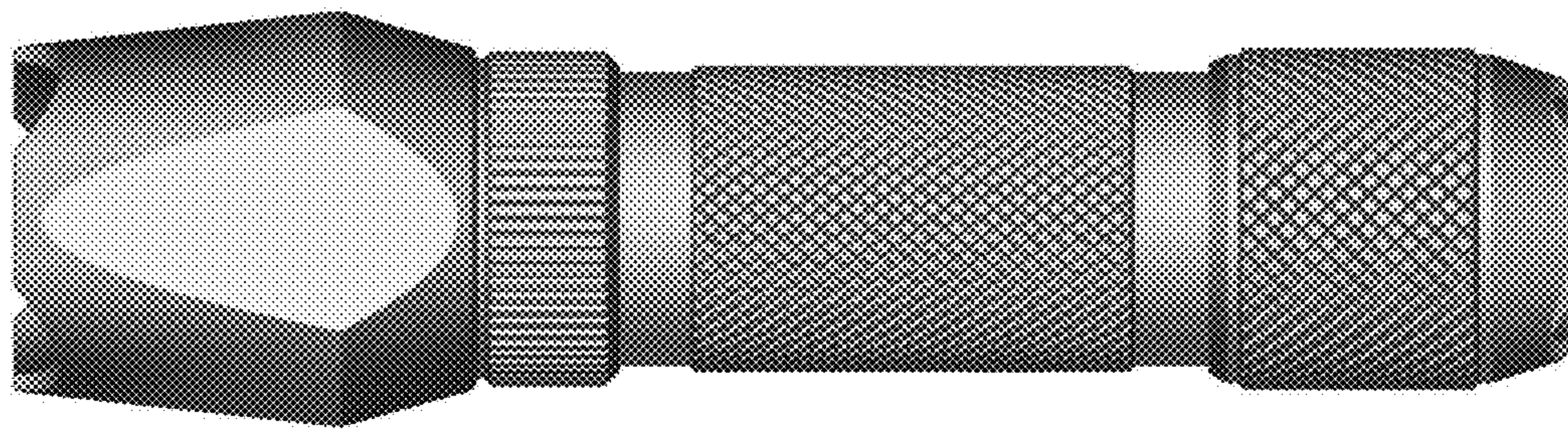


FIG. 5

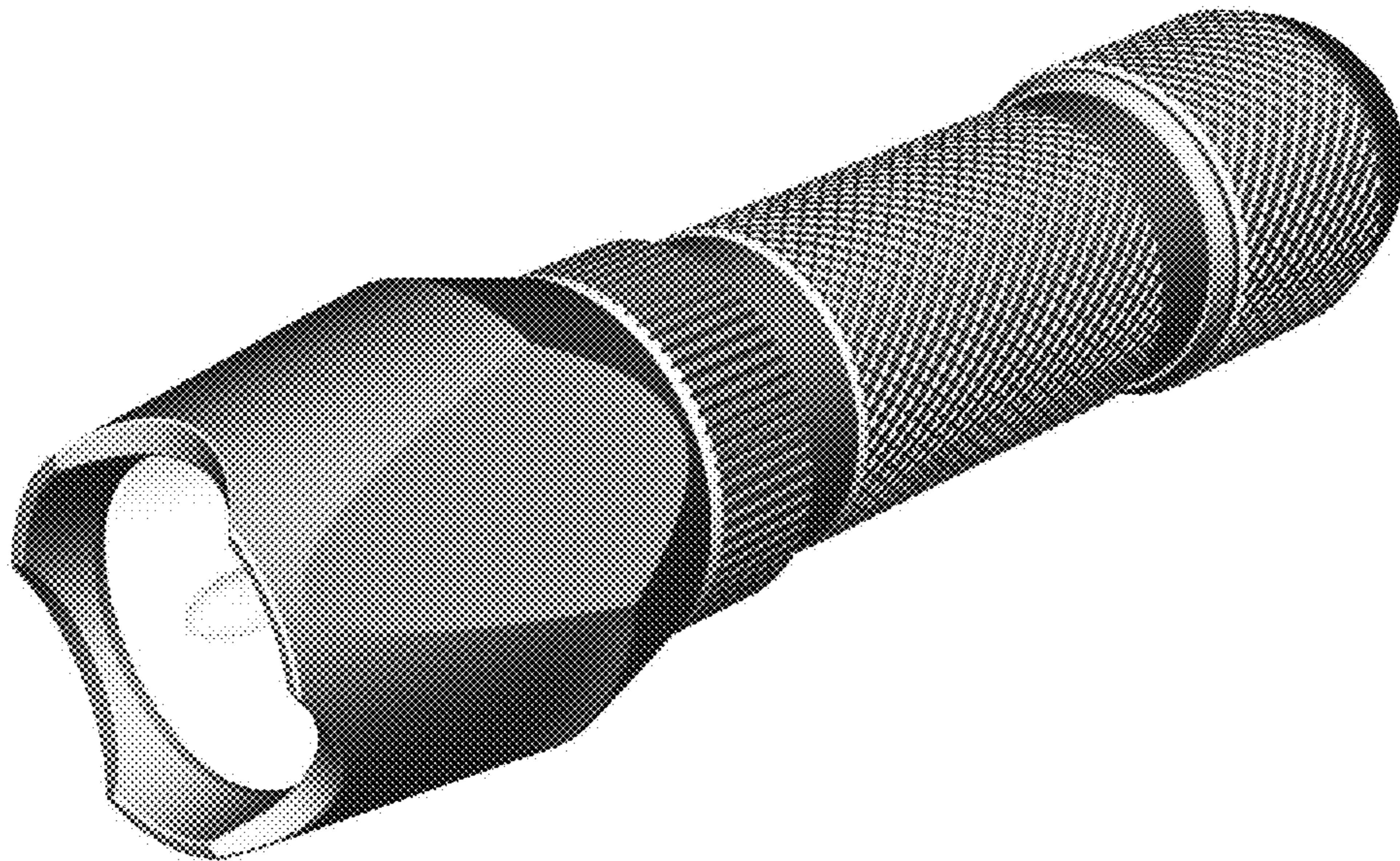


FIG. 6

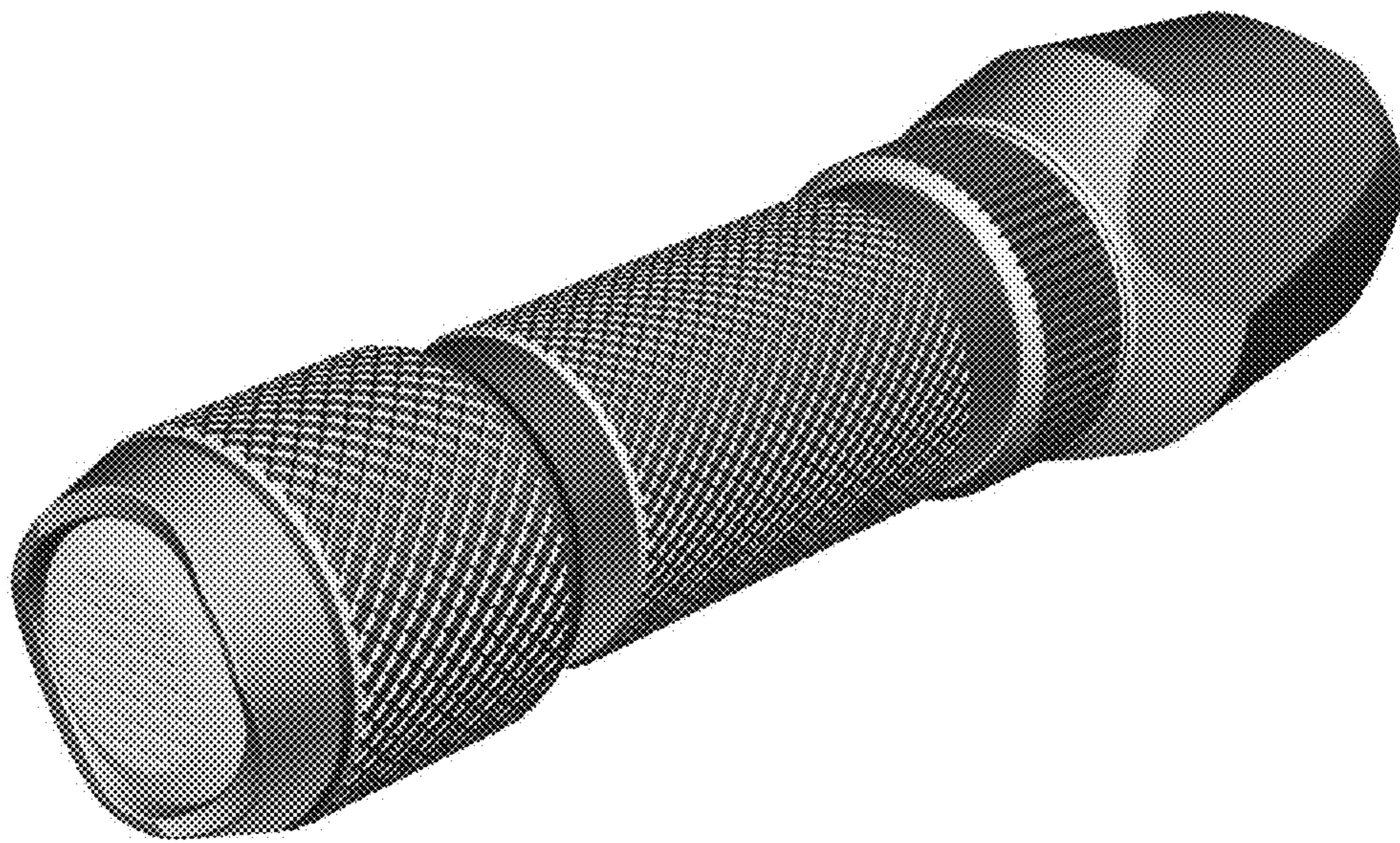


FIG. 7