



US00D703851S

(12) **United States Design Patent**
Gebhard et al.

(10) **Patent No.:** **US D703,851 S**
(45) **Date of Patent:** **** Apr. 29, 2014**

(54) **SEARCHLIGHT**

(75) Inventors: **Albert W. Gebhard**, Denver, CO (US);
Gerald L. Gohl, Culbertson, NE (US);
Colton D. Hosick, Culbertson, NE (US)

(73) Assignee: **Golight Inc.**, Culbertson, NE (US)

(**) Term: **14 Years**

(21) Appl. No.: **29/427,095**

(22) Filed: **Jul. 13, 2012**

(51) **LOC (10) Cl.** **26-02**

(52) **U.S. Cl.**
USPC **D26/48**; D26/44; D26/63

(58) **Field of Classification Search**
USPC D26/37, 38, 39, 41, 46, 50, 51, 48, 28,
D26/63; 362/157, 158, 183, 184, 194-196,
362/202, 201, 207, 208
See application file for complete search history.

(56) **References Cited**

U.S. PATENT DOCUMENTS

| | | | |
|-----------|---|---------|------------------|
| 3,936,670 | A | 2/1976 | Allen, Sr. |
| D239,315 | S | 3/1976 | Satoh et al. |
| 4,225,906 | A | 9/1980 | Gulliksen et al. |
| 4,323,953 | A | 4/1982 | Hutchison |
| D269,464 | S | 6/1983 | Caroli |
| 4,573,107 | A | 2/1986 | Stock et al. |
| D320,462 | S | 10/1991 | Williams et al. |
| D322,136 | S | 12/1991 | Shima et al. |
| D327,953 | S | 7/1992 | Jordan |
| D347,704 | S | 6/1994 | Thompson et al. |
| D351,243 | S | 10/1994 | Williams et al. |
| 5,385,062 | A | 1/1995 | Menke |
| 5,490,046 | A | 2/1996 | Gohl et al. |
| 5,499,167 | A | 3/1996 | Brown |
| 5,673,989 | A | 10/1997 | Gohl et al. |
| 5,697,691 | A | 12/1997 | Menke |
| 5,806,956 | A | 9/1998 | Hyun-Jo |

| | | | |
|-----------|-----|---------|----------------------------|
| 6,461,009 | B2 | 10/2002 | Smith |
| 6,499,867 | B1 | 12/2002 | Neal |
| 6,558,029 | B2 | 5/2003 | Spring, Jr. |
| 6,789,912 | B2 | 9/2004 | Smith |
| 6,955,447 | B2 | 10/2005 | Lui |
| D515,228 | S | 2/2006 | Gebhard et al. |
| D528,678 | S * | 9/2006 | Yen D26/28 |
| D552,781 | S * | 10/2007 | Kosche et al. D26/63 |
| D556,353 | S | 11/2007 | Gebhard et al. |
| D573,285 | S | 7/2008 | Zettl |
| D573,286 | S * | 7/2008 | Zettl D26/63 |
| D574,102 | S * | 7/2008 | Quiogue et al. D26/63 |

(Continued)

OTHER PUBLICATIONS

U.S. Appl. No. 29/424,610, filed Jun. 13, 2012; First Named Inventor:
Colton D. Hosick.

Primary Examiner — Ian Simmons

Assistant Examiner — Carissa C Fitts

(74) *Attorney, Agent, or Firm* — Margaret Polson; Oppedahl
Patent Law Firm LLC

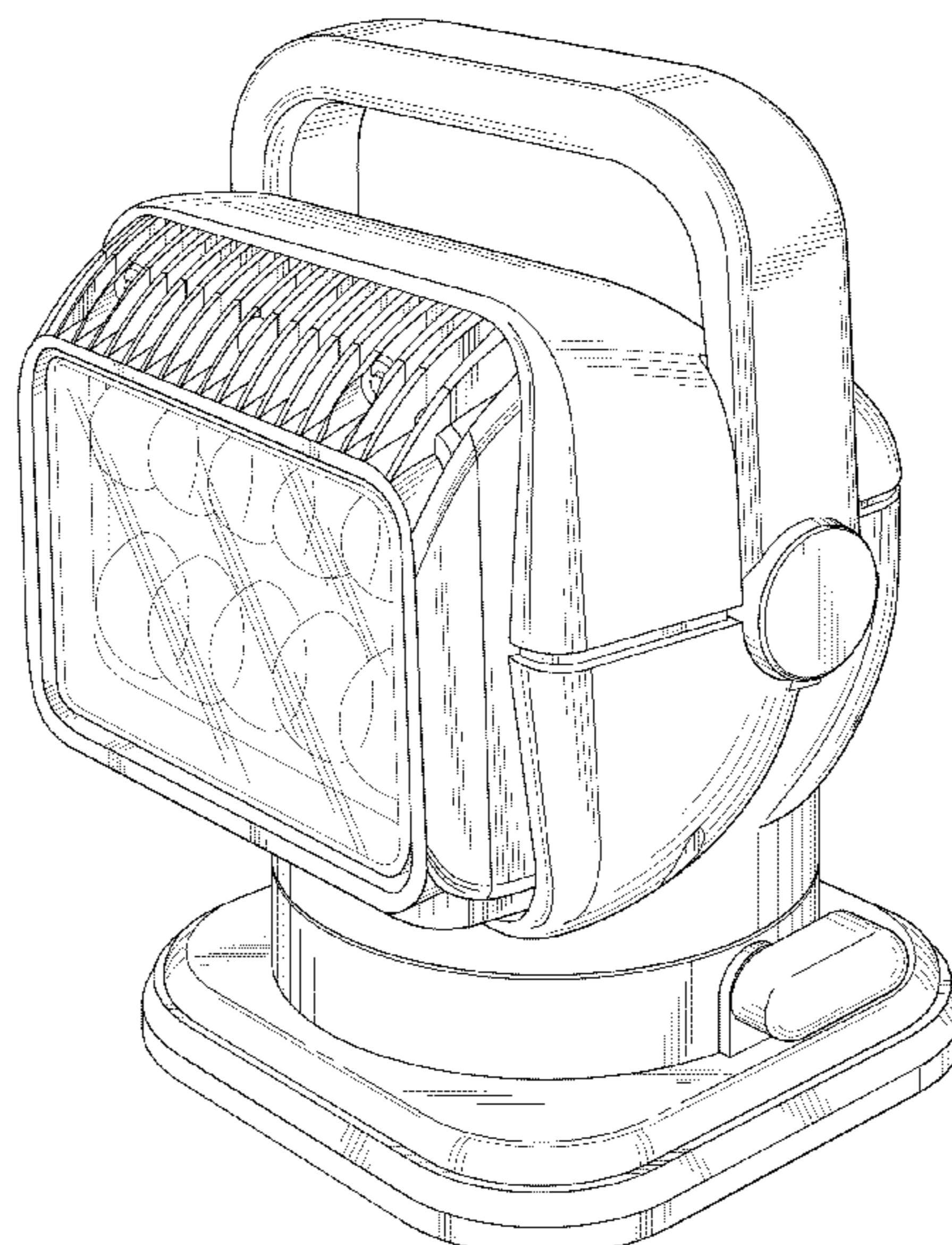
(57) **CLAIM**

The ornamental design for a searchlight, as shown and
described.

DESCRIPTION

FIG. 1 is a front perspective view of our new design for a
searchlight.
FIG. 2 is a front elevation view of in FIG. 1.
FIG. 3 is a back elevation view of FIG. 1.
FIG. 4 is a left side elevation view FIG. 1
FIG. 5 is a right side elevation view of FIG. 1.
FIG. 6 is a top plan view of FIG. 1; and,
FIG. 7 is a bottom plan view of FIG. 1.
The features shown in broken lines in the drawing depict
environmental subject matter only and form no part of the
claimed design.

1 Claim, 6 Drawing Sheets



(56)

References Cited

U.S. PATENT DOCUMENTS

D582,084 S 12/2008 Gebhard et al.
D597,237 S * 7/2009 Kumthampinij et al. D26/61
D597,693 S 8/2009 Kauffman
D606,691 S 12/2009 Lindholm
7,638,970 B1 12/2009 Gebhard et al.
D625,870 S 10/2010 Feigenbaum
7,862,197 B2 1/2011 Gebhard

D641,905 S 7/2011 Janssen
D645,594 S 9/2011 Grawe
D646,822 S * 10/2011 Johannessen et al. D26/63
D650,505 S 12/2011 Oka
D661,420 S * 6/2012 Liang D26/63
D666,346 S 8/2012 Gebhard et al.
D674,949 S 1/2013 Georgitsis et al.
D693,509 S * 11/2013 Hosick et al. D26/63
2004/0037064 A1 2/2004 Johnson

* cited by examiner

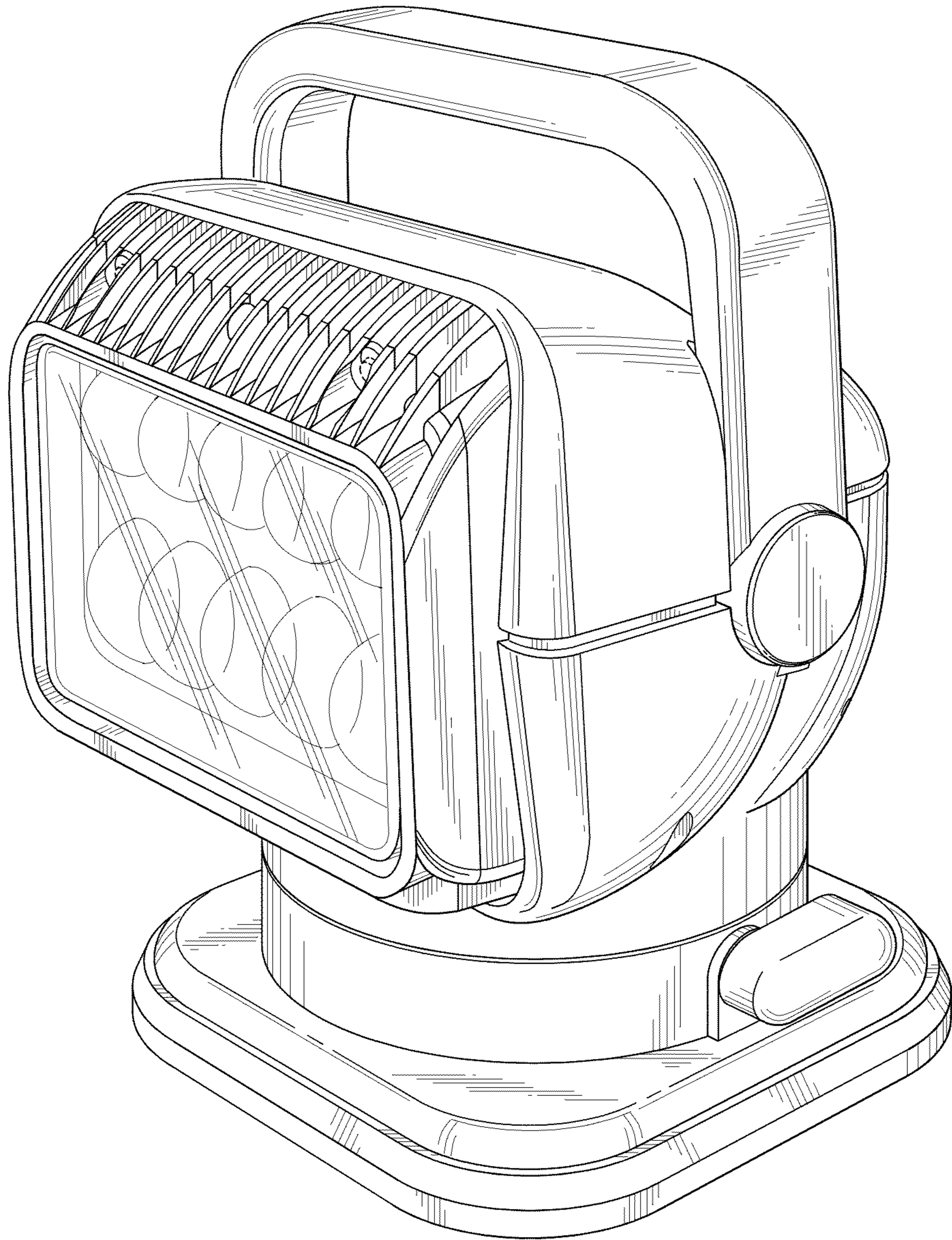


FIG.1

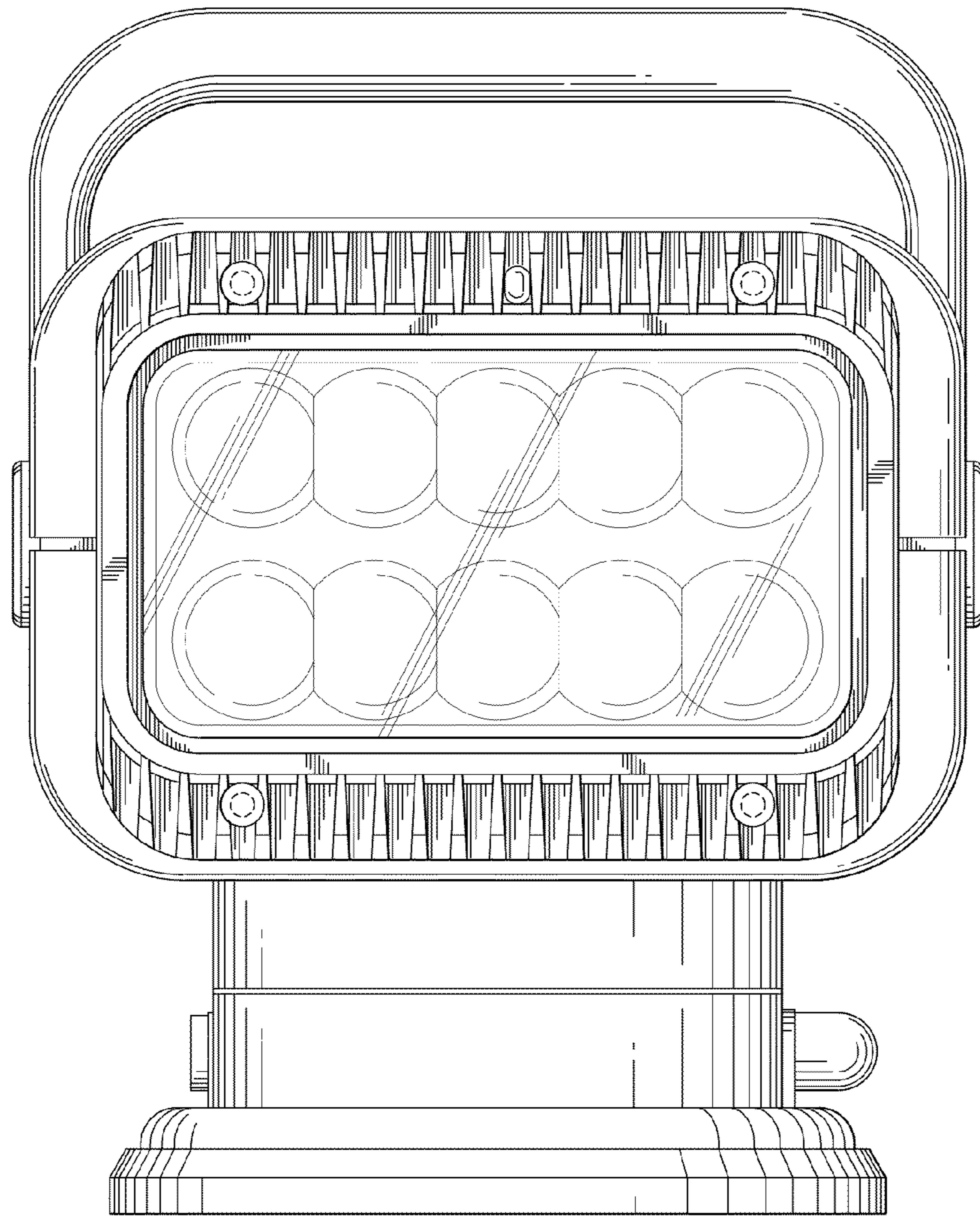


FIG.2

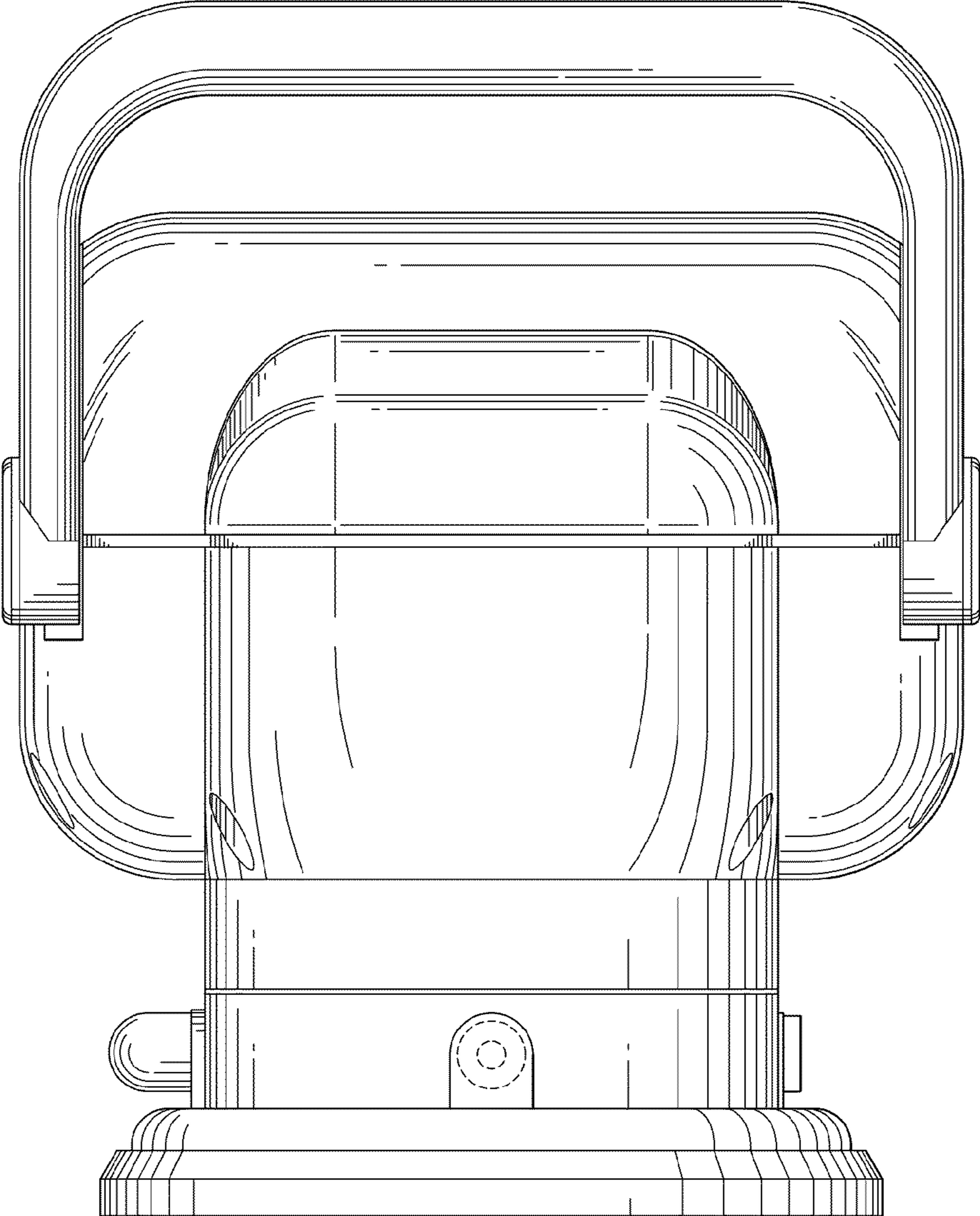


FIG.3

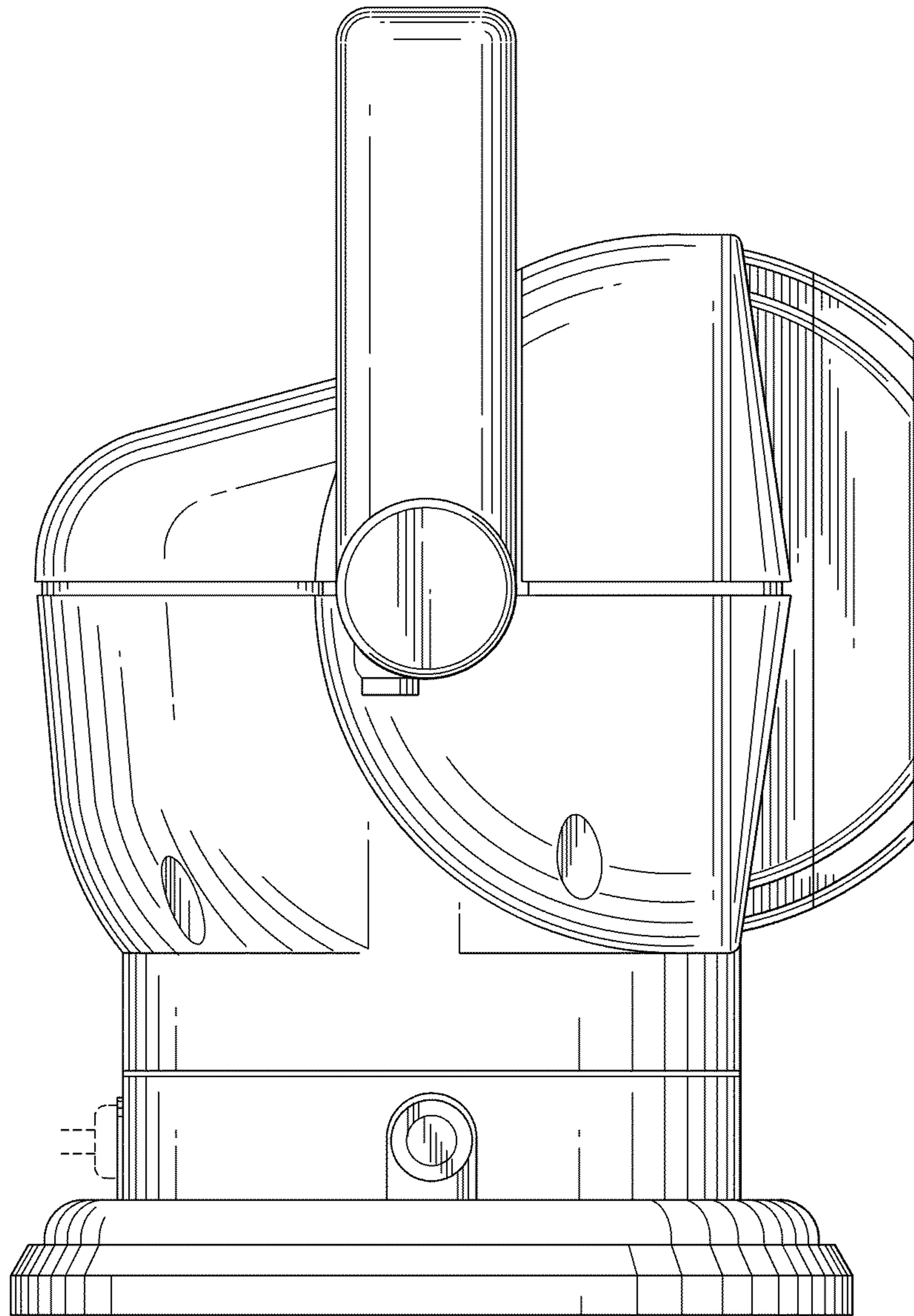


FIG.4

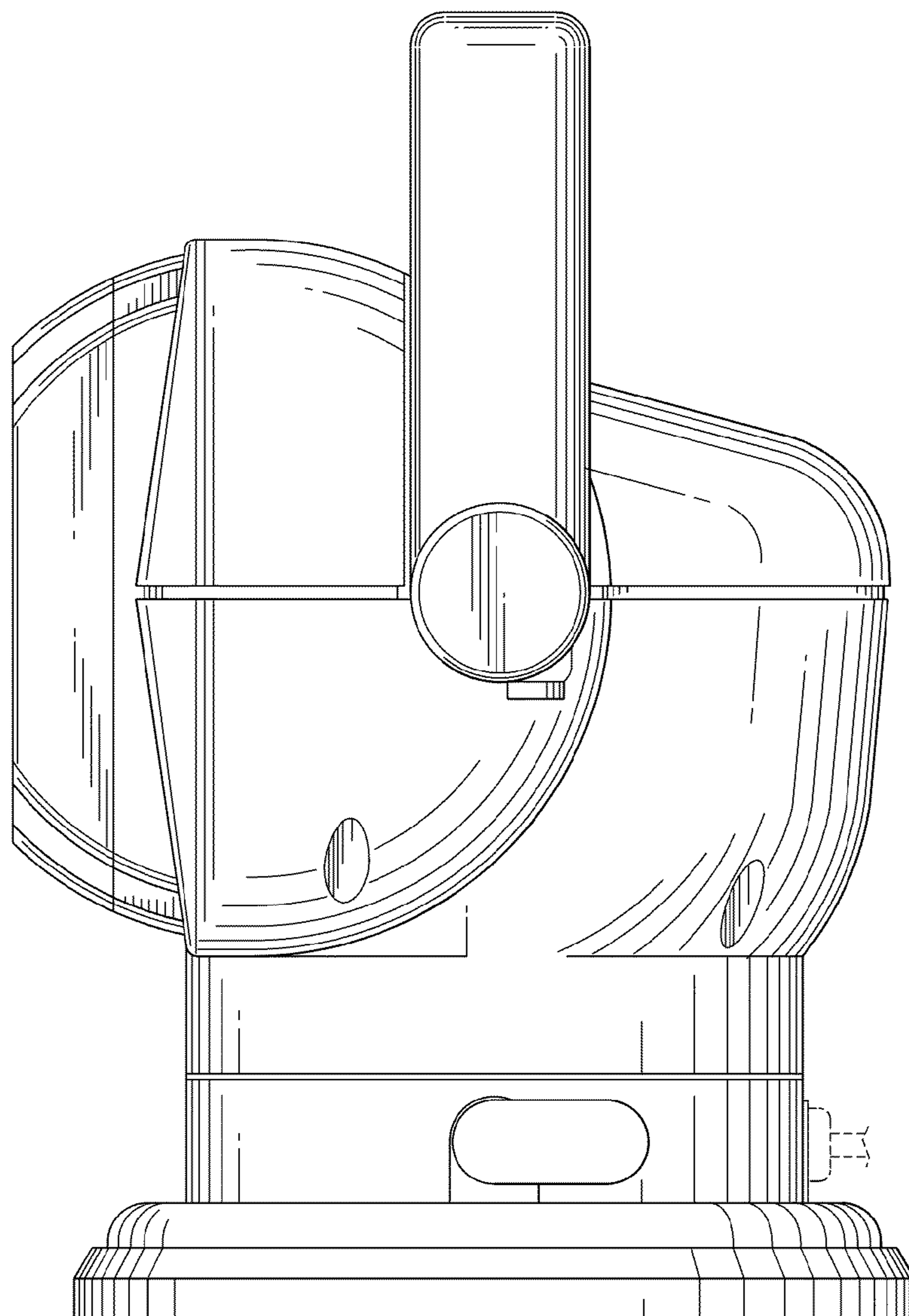


FIG. 5

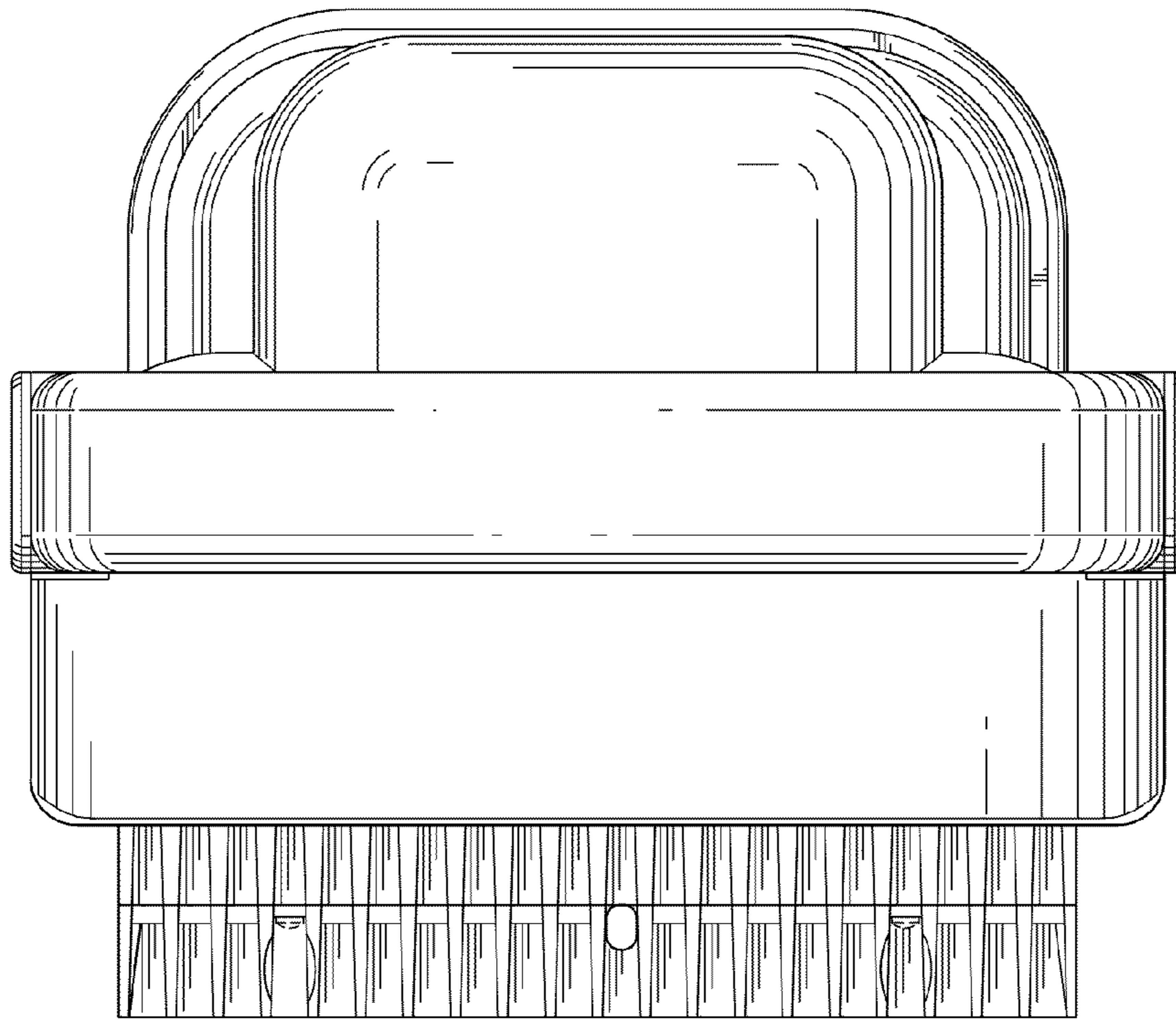


FIG. 6

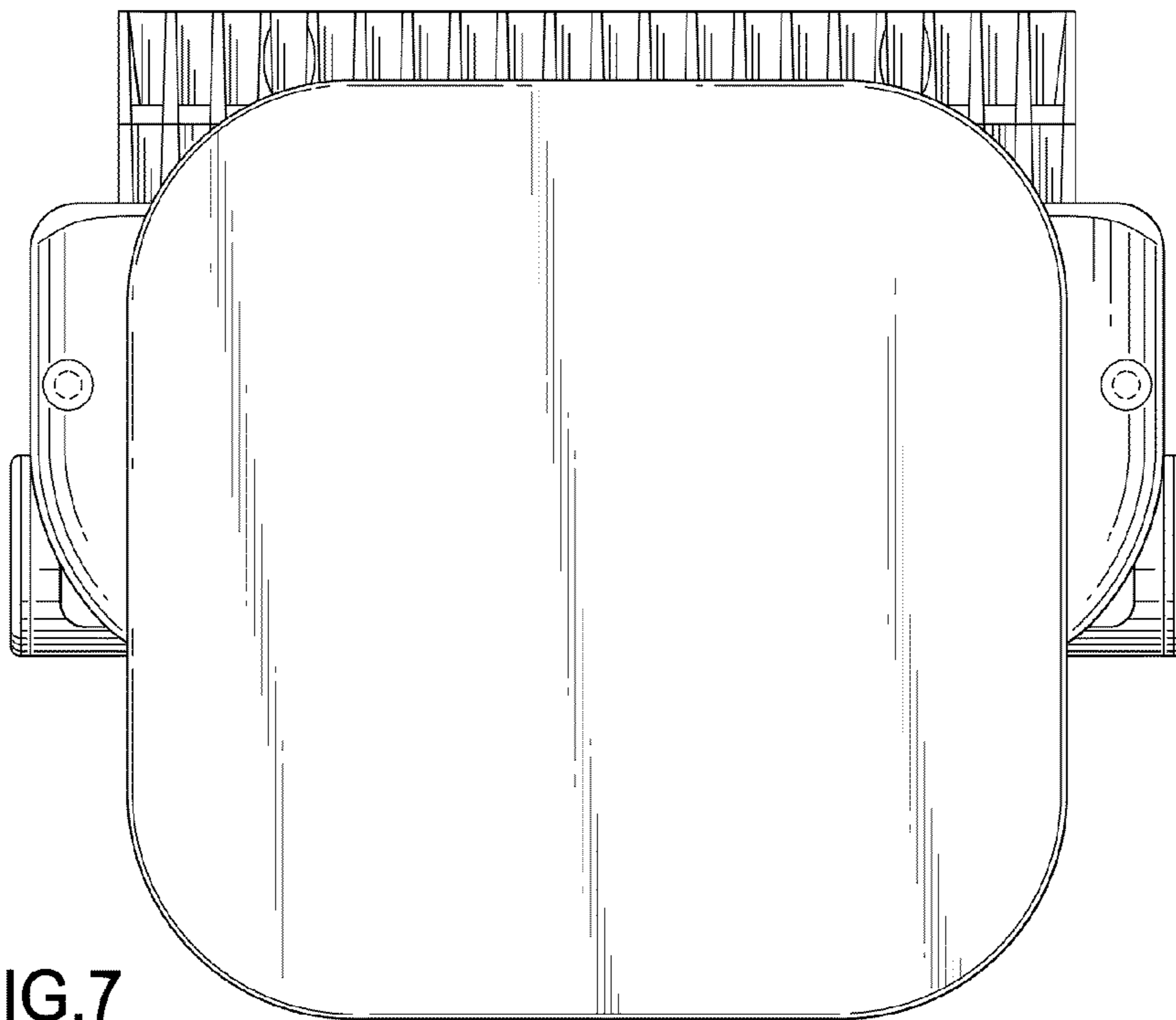


FIG. 7