



US00D703848S

(12) **United States Design Patent**  
**Mays et al.**

(10) **Patent No.:** **US D703,848 S**  
(45) **Date of Patent:** **\*\* Apr. 29, 2014**

(54) **VEHICLE HEADLIGHT**

- (71) Applicant: **Ford Motor Company**, Dearborn, MI (US)
- (72) Inventors: **J C. Mays**, Bloomfield Hills, MI (US);  
**Moray S. Callum**, Ann Arbor, MI (US);  
**Joel Piaskowski**, Brighton (AU); **Kemal Curic**, West Bloomfield, MI (US)
- (73) Assignee: **Ford Motor Company**, Dearborn, MI (US)
- (\*\*) Term: **14 Years**
- (21) Appl. No.: **29/472,619**
- (22) Filed: **Nov. 14, 2013**

**Related U.S. Application Data**

- (63) Continuation of application No. 29/464,744, filed on Aug. 20, 2013.
  - (51) **LOC (10) Cl.** ..... **26-06**
  - (52) **U.S. Cl.**  
USPC ..... **D26/28**
  - (58) **Field of Classification Search**  
USPC ..... D26/28-36; 362/459-468, 475-478,  
362/485-487
- See application file for complete search history.

(56) **References Cited**

U.S. PATENT DOCUMENTS

D538,956 S *	3/2007	Ishii .....	D26/28
D544,614 S *	6/2007	Markefka .....	D26/28
D561,358 S *	2/2008	Tachibana .....	D26/28
D570,007 S *	5/2008	Hsu .....	D26/28
D582,587 S *	12/2008	Yang .....	D26/28
D593,232 S *	5/2009	Koman et al. ....	D26/28
D635,694 S *	4/2011	Yang et al. ....	D26/28

\* cited by examiner

*Primary Examiner* — Marcus Jackson

(74) *Attorney, Agent, or Firm* — Damian Porcari

(57) **CLAIM**

The ornamental designs for a vehicle headlight, as shown and described.

**DESCRIPTION**

FIG. 1 is a top plan view of a left vehicle headlight, the right vehicle headlight being a mirror image and not shown;  
 FIG. 2 is a bottom plan view thereof;  
 FIG. 3 is a front elevational view thereof;  
 FIG. 4 is a rear elevational view thereof;  
 FIG. 5 is a left side elevational view thereof;  
 FIG. 6 is a right side elevational view thereof;  
 FIG. 7 is a top perspective view thereof; and,  
 FIG. 8 is bottom perspective view thereof.

**1 Claim, 8 Drawing Sheets**

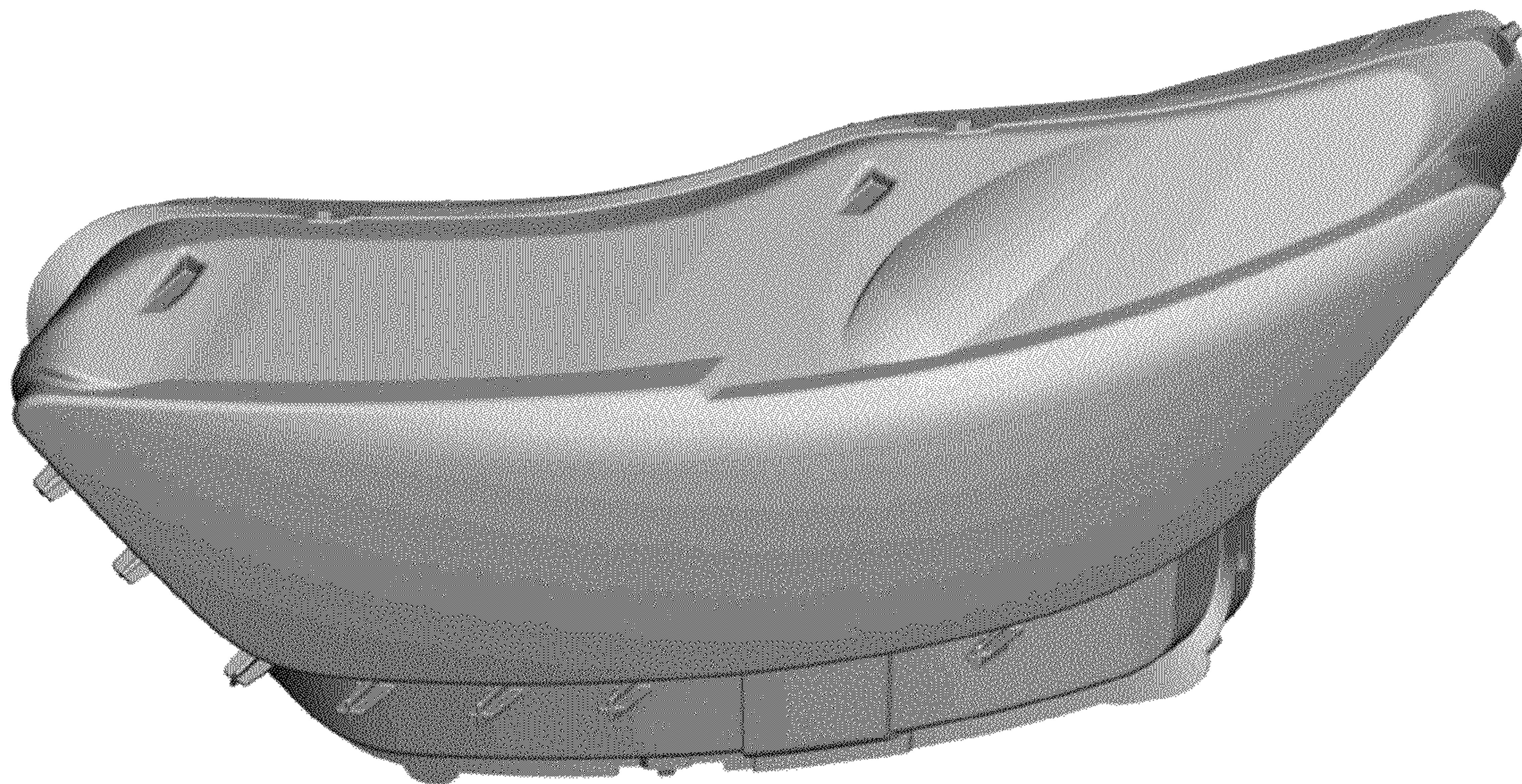




Figure 1

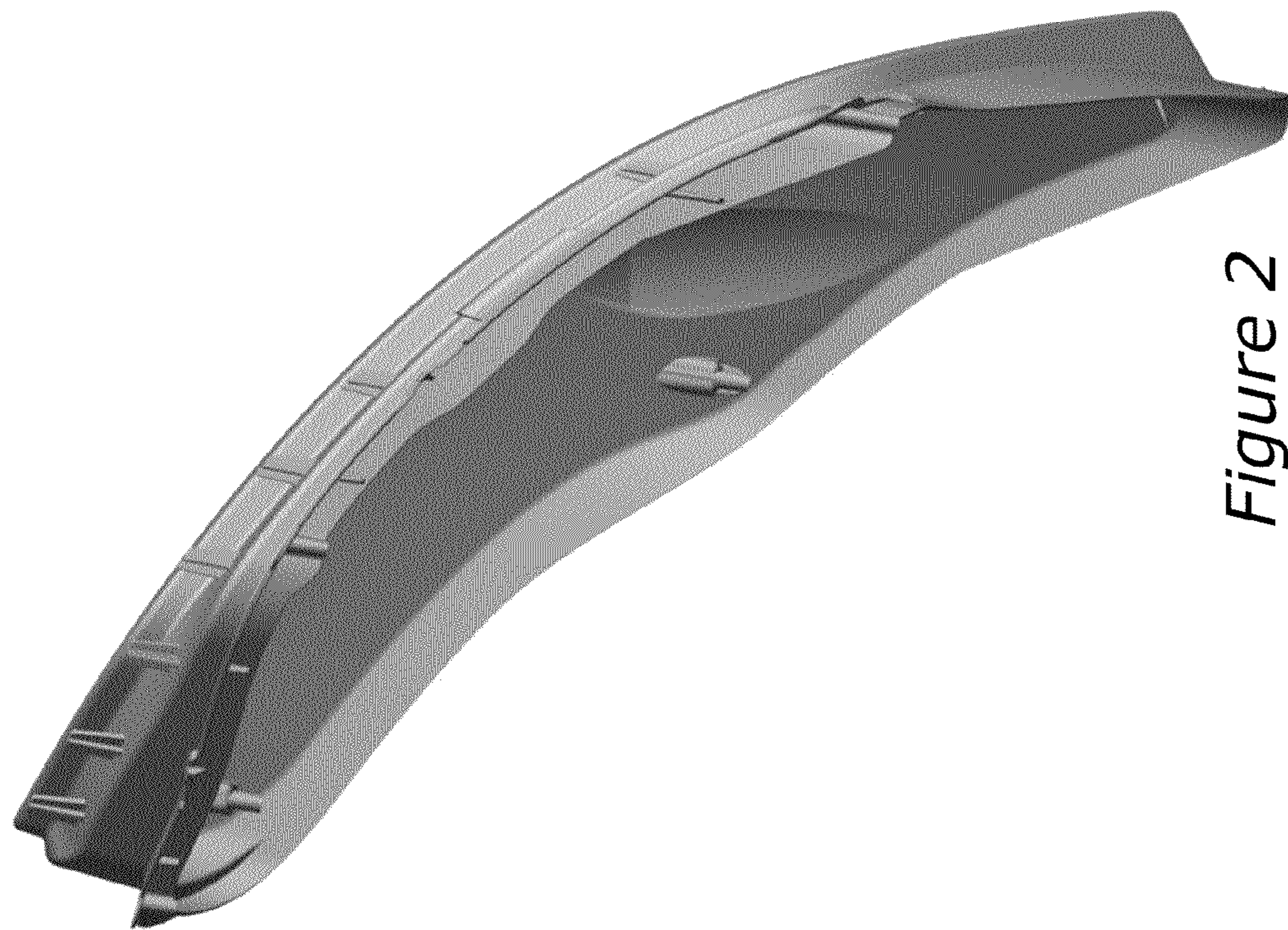


Figure 2

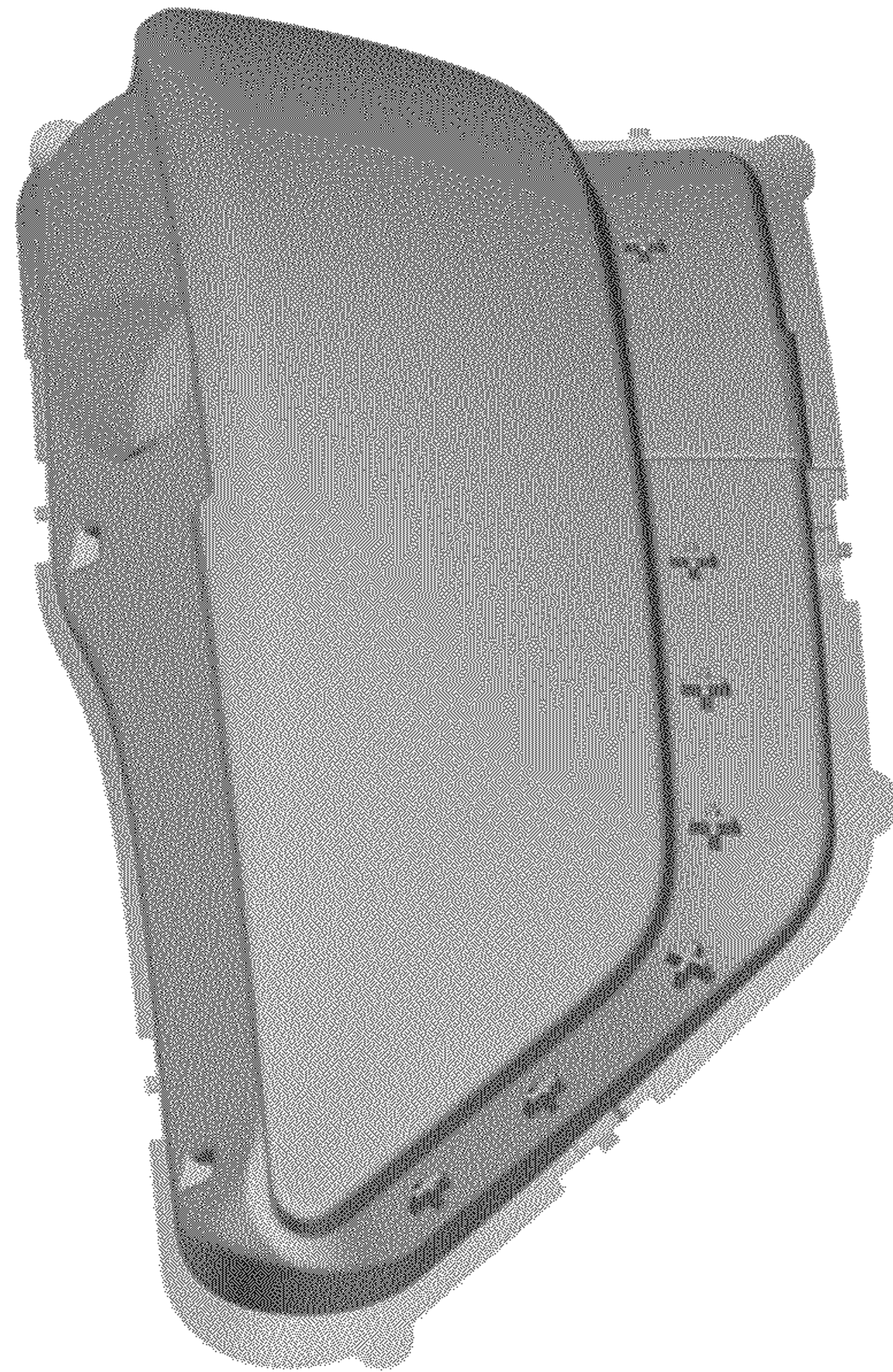


Figure 3



Figure 4



Figure 5



Figure 6



Figure 7





Figure 8