



US00D703846S

(12) **United States Design Patent**  
**Beaven**

(10) **Patent No.:** **US D703,846 S**

(45) **Date of Patent:** **\*\* Apr. 29, 2014**

(54) **VEHICLE LAMP COMPONENT**  
(75) Inventor: **Matthew Beaven**, Coventry (GB)  
(73) Assignee: **Jaguar Cars Limited** (GB)  
(\*\*) Term: **14 Years**

D528,231 S \* 9/2006 Ikeda ..... D26/28  
D528,686 S \* 9/2006 Kato ..... D26/28  
D529,208 S \* 9/2006 Ikeda ..... D26/28  
D535,409 S \* 1/2007 Yamaguchi ..... D26/28  
D541,445 S \* 4/2007 Lin ..... D26/28  
D550,380 S \* 9/2007 Lin ..... D26/28

\* cited by examiner

(21) Appl. No.: **29/432,031**  
(22) Filed: **Sep. 12, 2012**

*Primary Examiner* — Marcus Jackson  
(74) *Attorney, Agent, or Firm* — Rader, Fishman & Grauer PLLC

(30) **Foreign Application Priority Data**  
Jun. 14, 2012 (EM) ..... 002057562  
Sep. 11, 2012 (EM) ..... 002100651  
(51) **LOC (10) Cl.** ..... **26-06**  
(52) **U.S. Cl.**  
USPC ..... **D26/28**  
(58) **Field of Classification Search**  
USPC ..... D26/28-36; 362/459-468, 475-478,  
362/485-487  
See application file for complete search history.

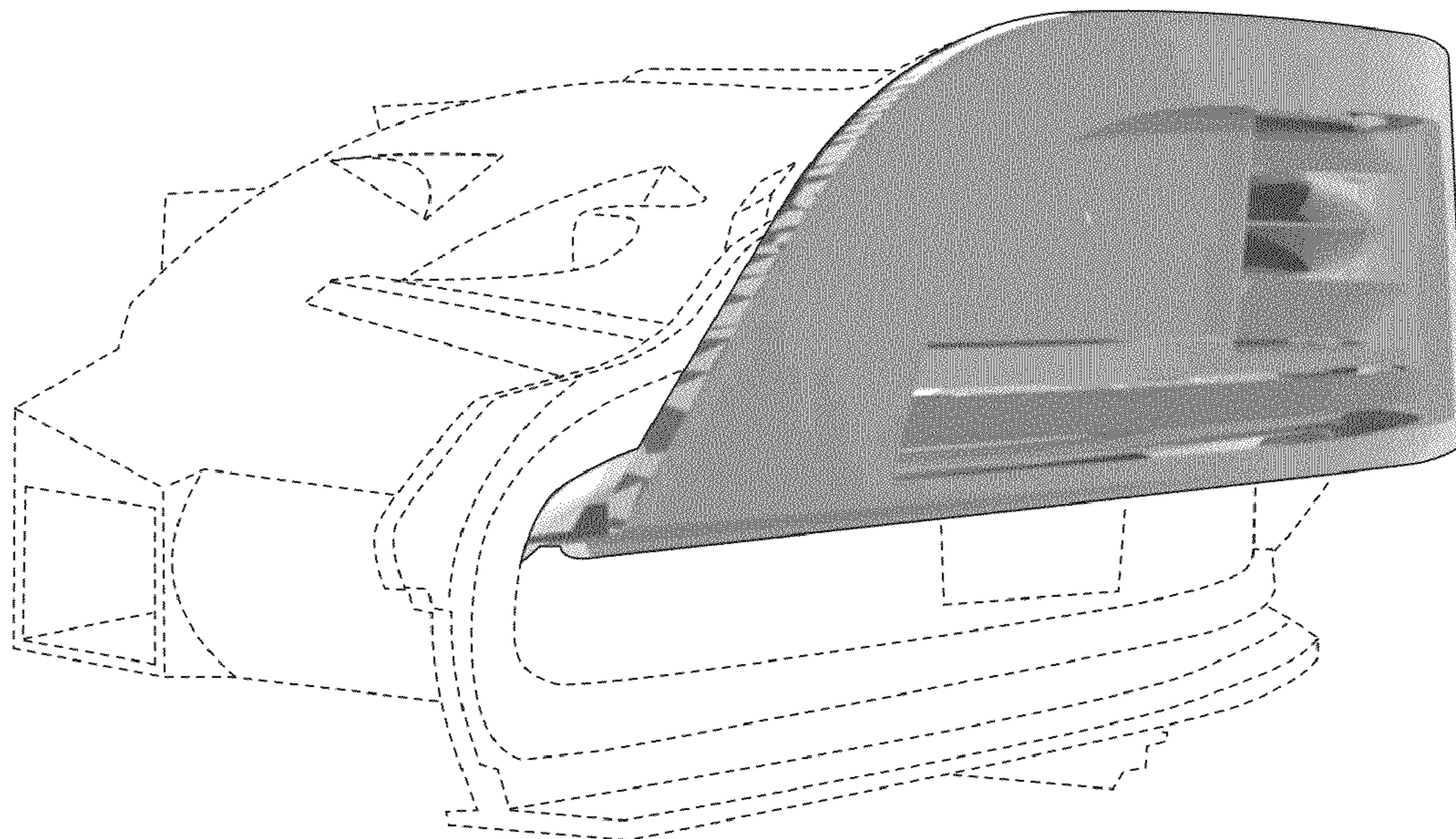
(57) **CLAIM**  
The ornamental design for a vehicle lamp component, as shown and described.

(56) **References Cited**  
U.S. PATENT DOCUMENTS  
D476,759 S \* 7/2003 Lin ..... D26/28  
D483,890 S \* 12/2003 Lin ..... D26/28  
D497,018 S \* 10/2004 Lin ..... D26/28

**DESCRIPTION**

FIG. 1 is a front left view of a vehicle lamp component; FIG. 2 is a rear right view of a vehicle lamp component; FIG. 3 is a left view of a vehicle lamp component; FIG. 4 is a right view of a vehicle lamp component; FIG. 5 is a front view of vehicle lamp component; FIG. 6 is a rear view of a vehicle lamp component; and, FIG. 7 is a top view of a vehicle lamp component. Portions of FIGS. 1-7 that are shown as broken lines are for illustrative purpose only and form no part of the claimed design.

**1 Claim, 4 Drawing Sheets**



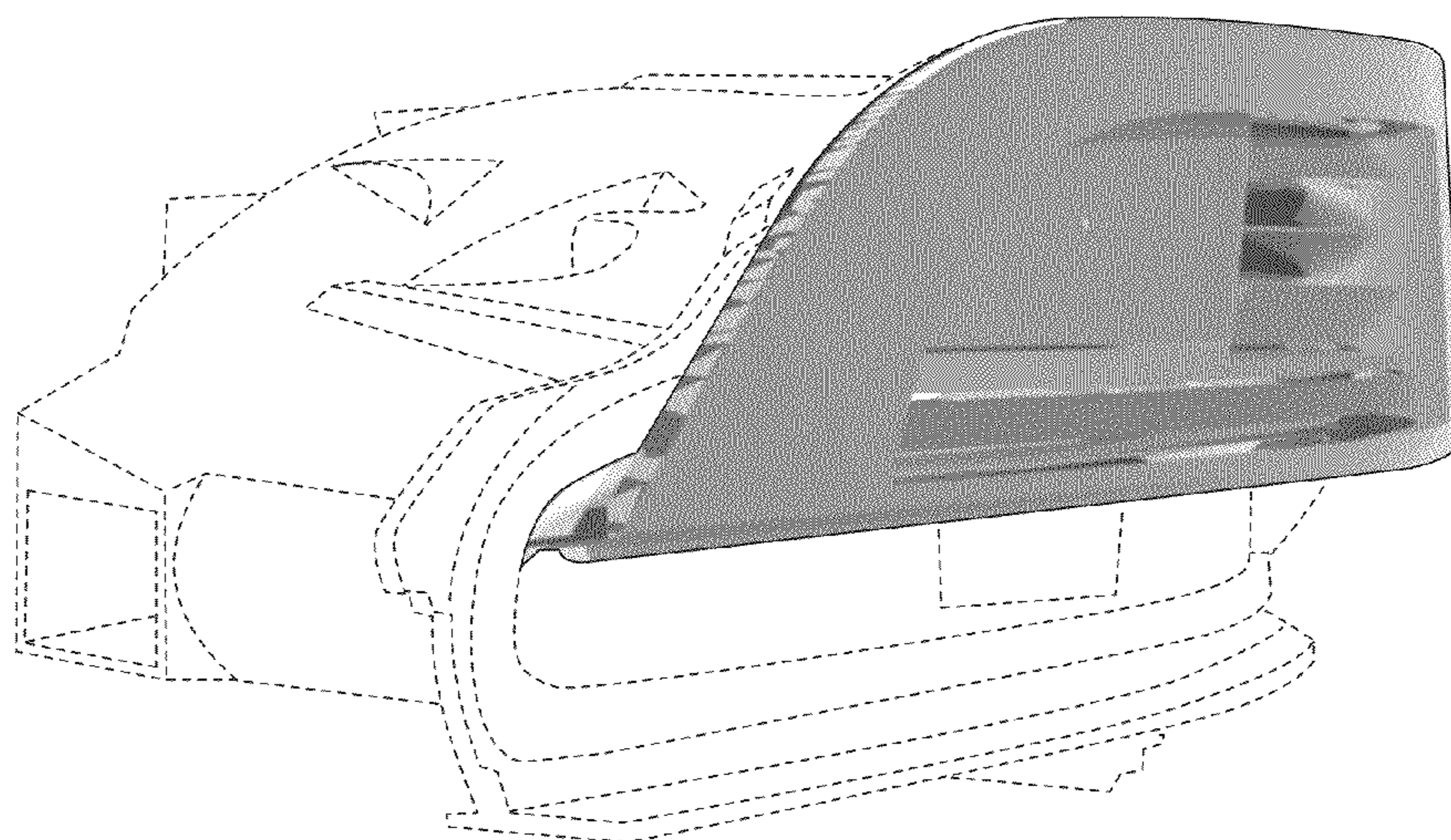


FIG. 1

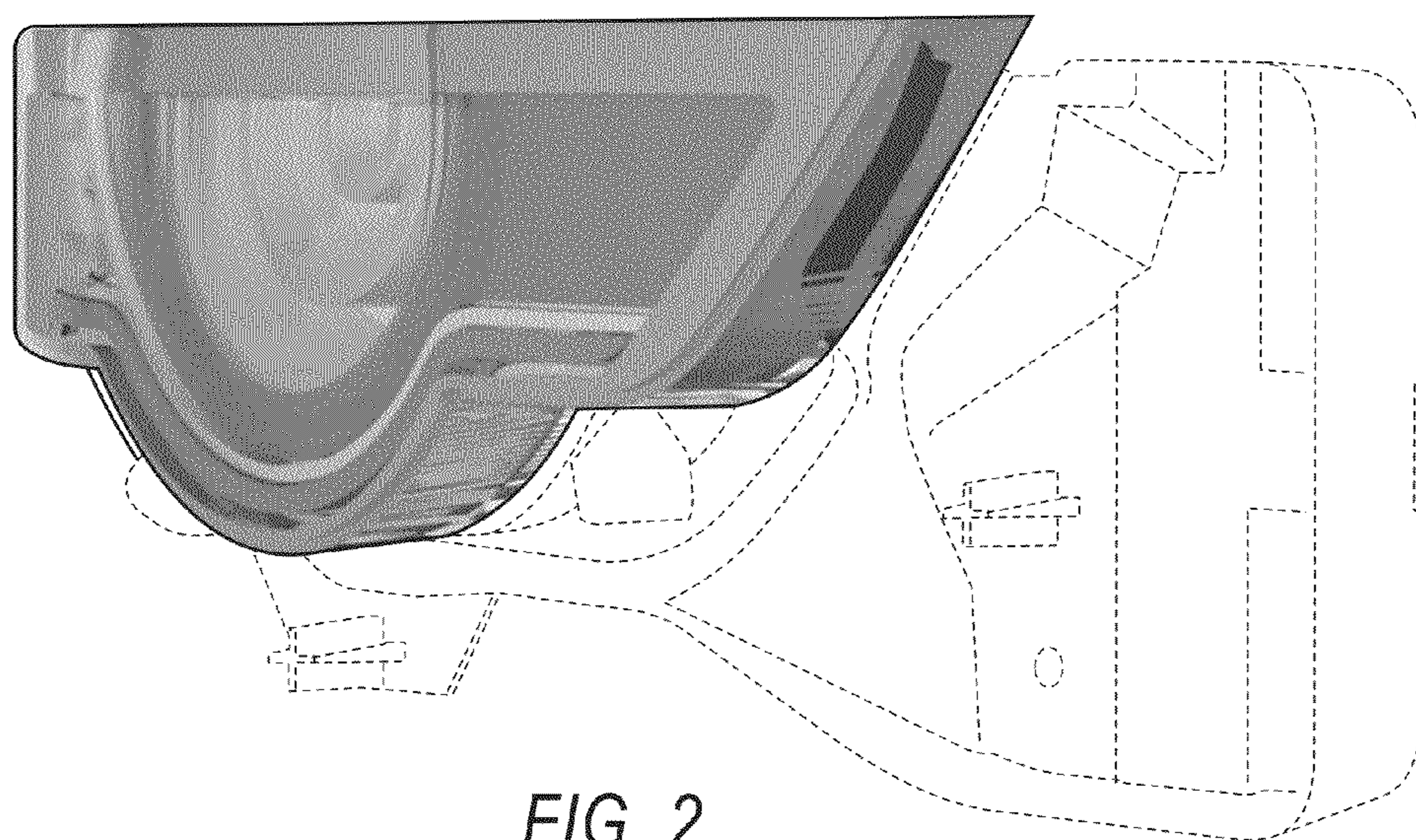


FIG. 2

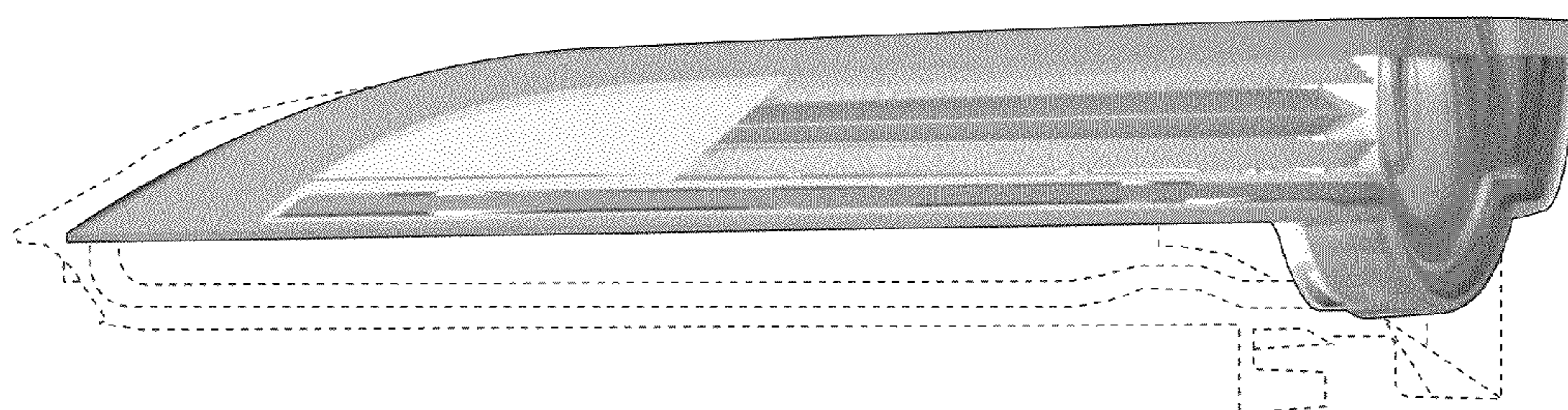


FIG. 3

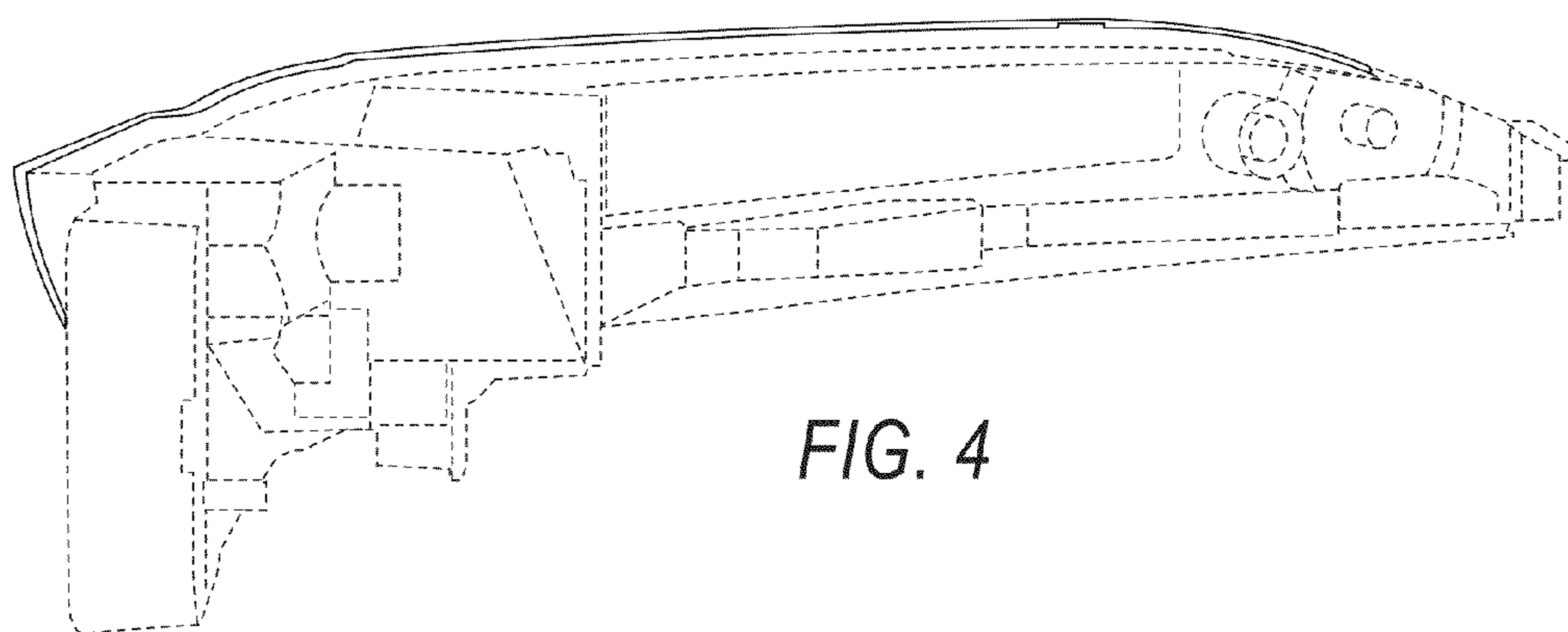


FIG. 4

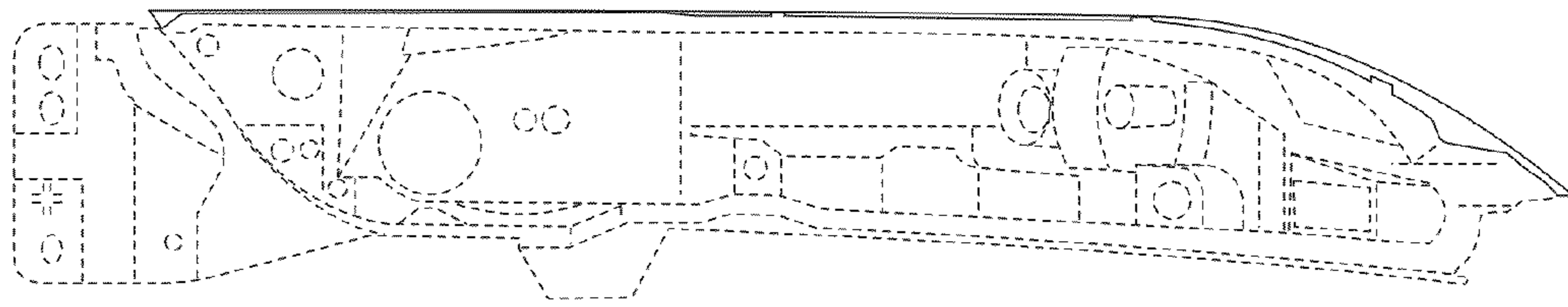


FIG. 5

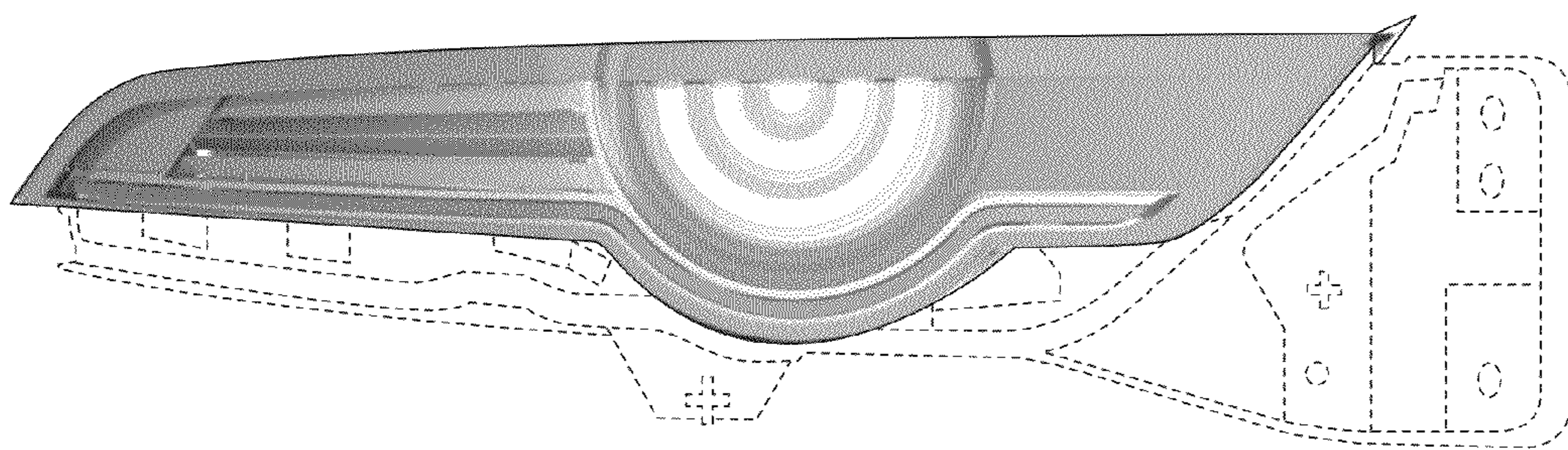


FIG. 6

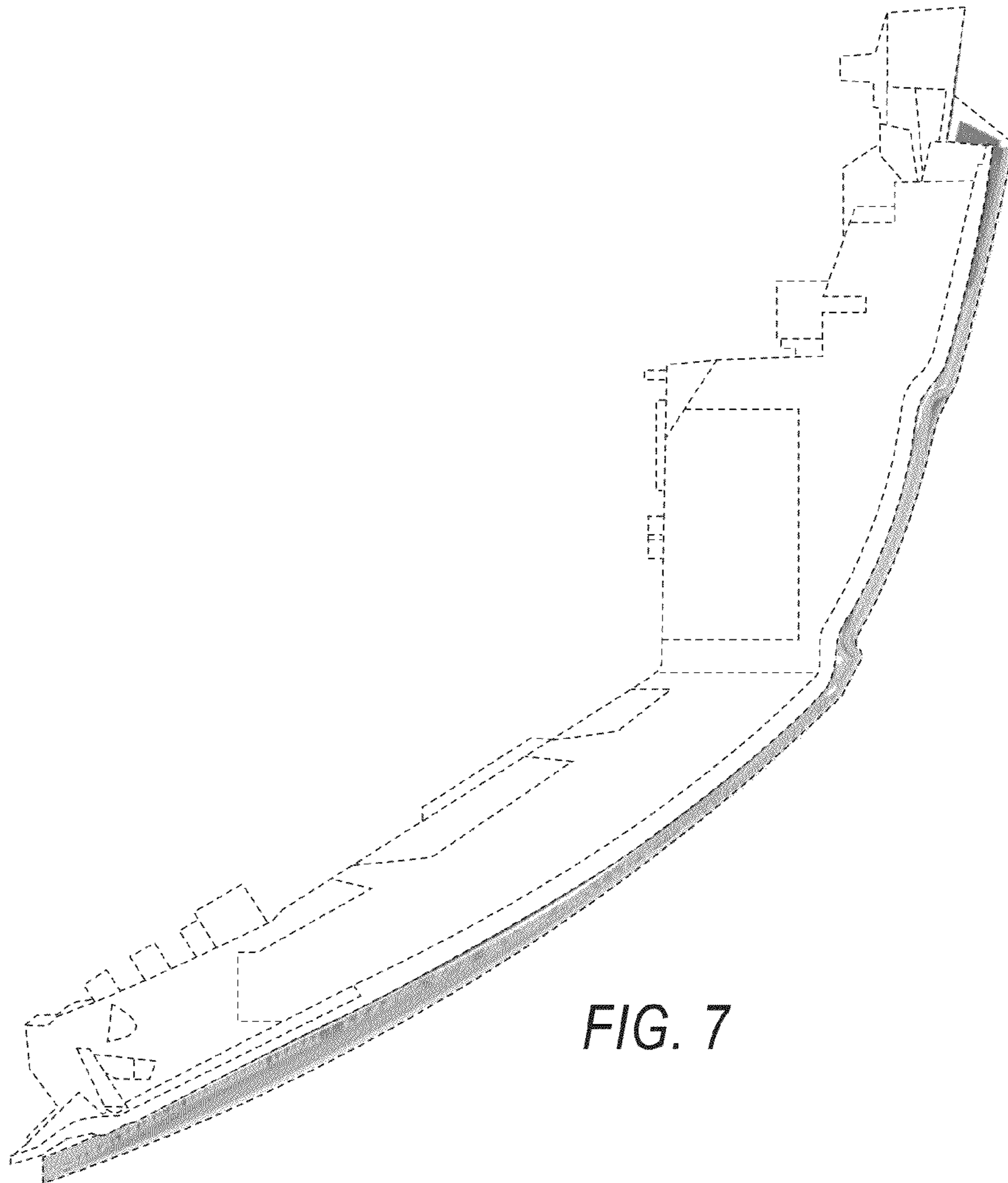


FIG. 7