



US00D703844S

(12) **United States Design Patent**
Koskinen

(10) **Patent No.:** **US D703,844 S**

(45) **Date of Patent:** **** Apr. 29, 2014**

(54) **CANDLE HOLDER**

(71) Applicant: **Marimekko Oyj**, Helsinki (FI)

(72) Inventor: **Harri Päivio Koskinen**, Helsinki (FI)

(73) Assignee: **Marimekko Oyj**, Helsinki (FI)

(**) Term: **14 Years**

(21) Appl. No.: **29/434,847**

(22) Filed: **Oct. 17, 2012**

(30) **Foreign Application Priority Data**

Oct. 2, 2012 (EM) 002112169-0001

(51) **LOC (10) Cl.** **26-01**

(52) **U.S. Cl.**
USPC **D26/22**

(58) **Field of Classification Search**

USPC D26/6, 7, 9-23; 431/299, 125, 126,
431/292, 289, 104, 146, 249, 295, 296, 288,
431/291; D11/131, 131.1, 157, 162

See application file for complete search history.

(56) **References Cited**

U.S. PATENT DOCUMENTS

3,327,108 A *	6/1967	Press	362/161
6,595,771 B2 *	7/2003	Chu	431/291
2002/0048739 A1 *	4/2002	Chu	431/291

* cited by examiner

Primary Examiner — T. Chase Nelson

Assistant Examiner — Ania Aman

(74) *Attorney, Agent, or Firm* — Myers Wolin, LLC

(57) **CLAIM**

The ornamental design for a candle holder, as shown and described.

DESCRIPTION

FIG. 1 is a front perspective view of one embodiment of a candle holder showing my new design with the handle in the up position;

FIG. 2 is a front perspective view thereof with the handle in the down position;

FIG. 3 is a left side elevation view thereof with the handle in the up position;

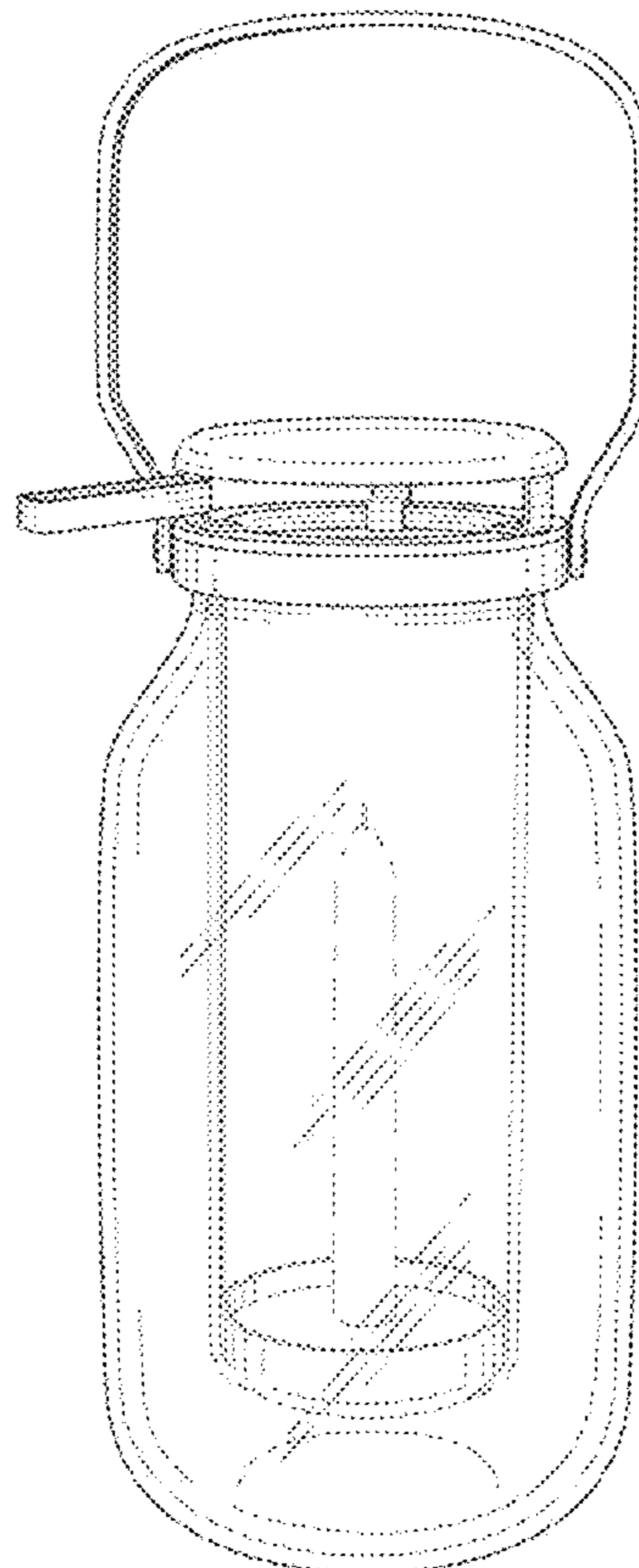
FIG. 4 is a rear elevation view thereof;

FIG. 5 is a top view thereof; and,

FIG. 6 is a bottom view thereof.

The broken lines are for illustrative purposes only and form no part of the claimed design.

1 Claim, 6 Drawing Sheets



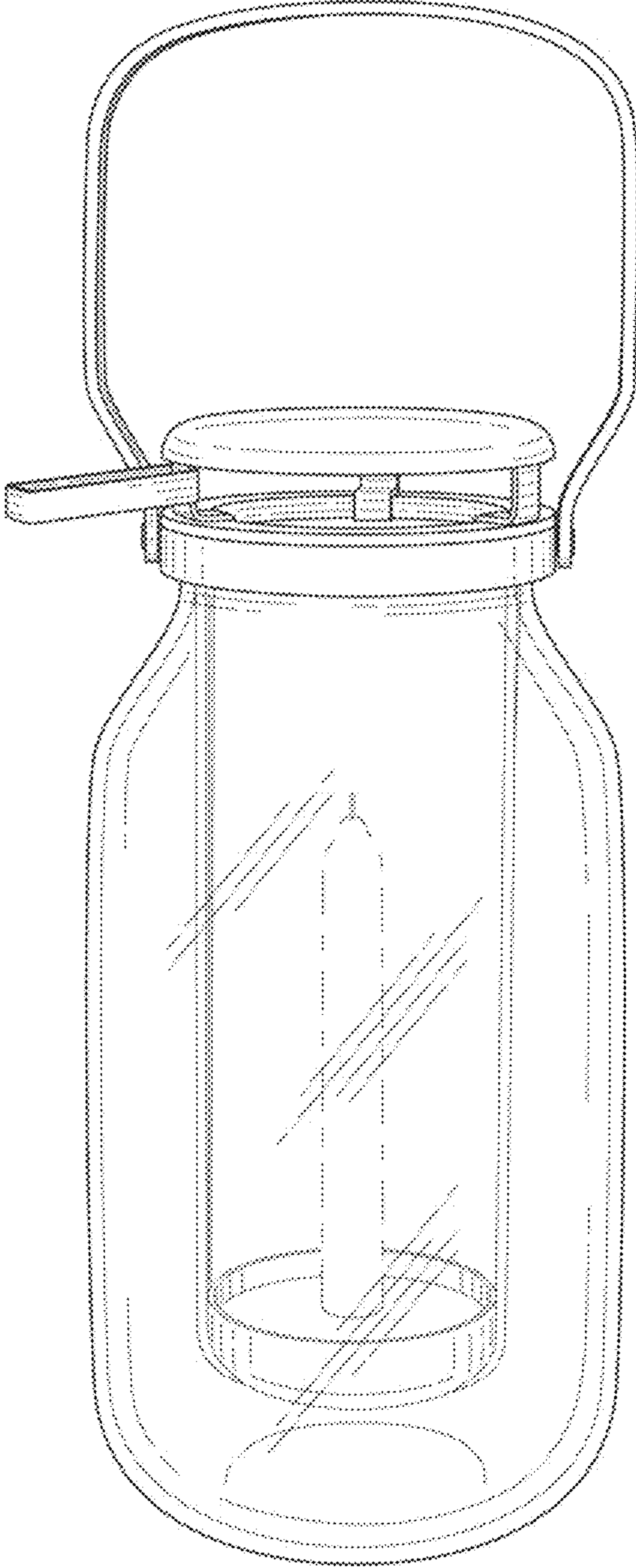


Fig. 1

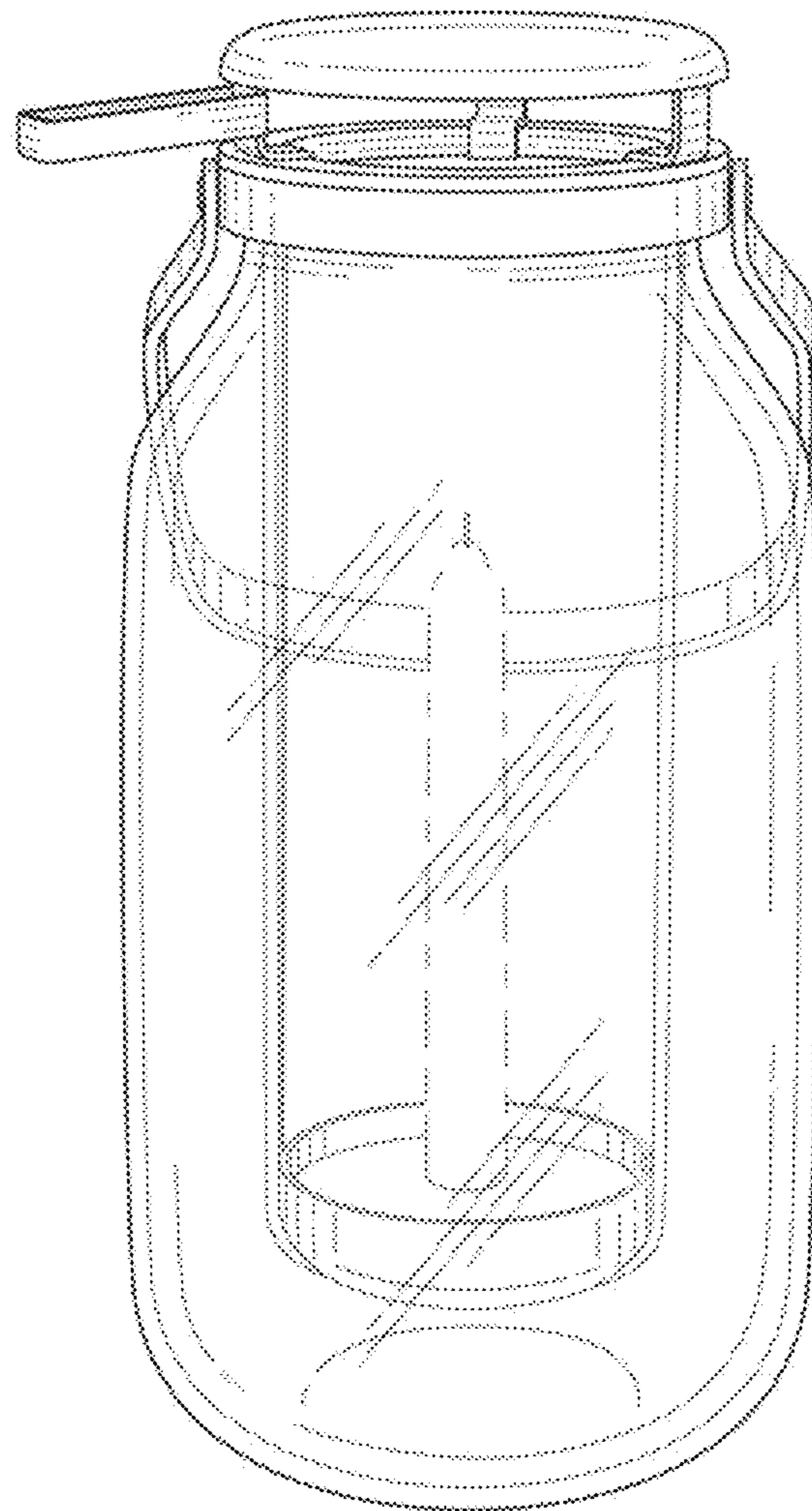


Fig. 2

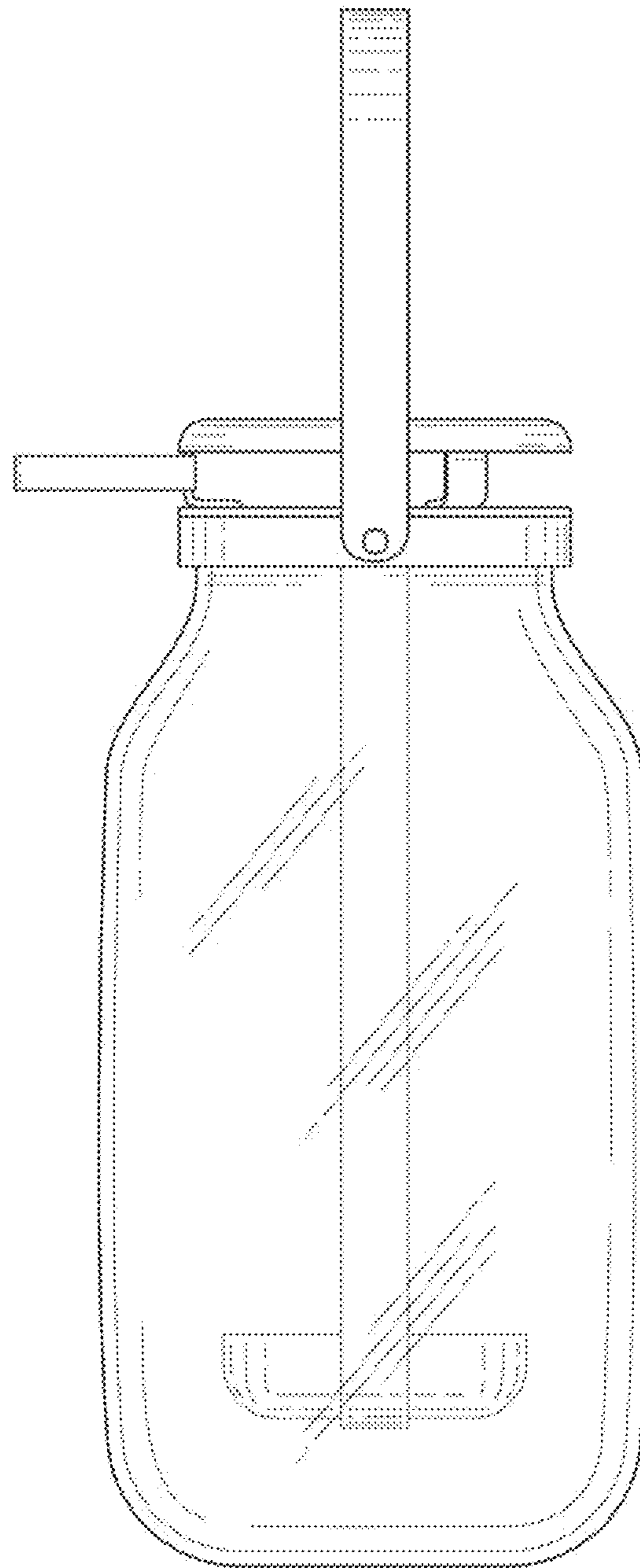


Fig. 3

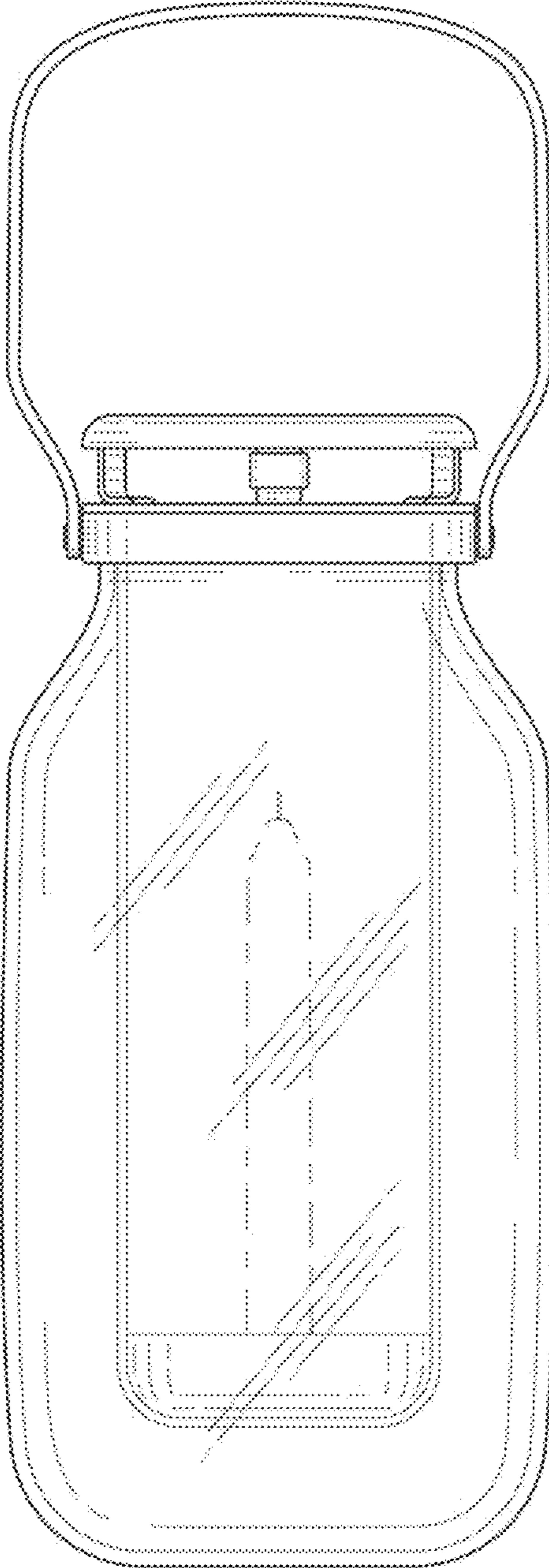


Fig. 4

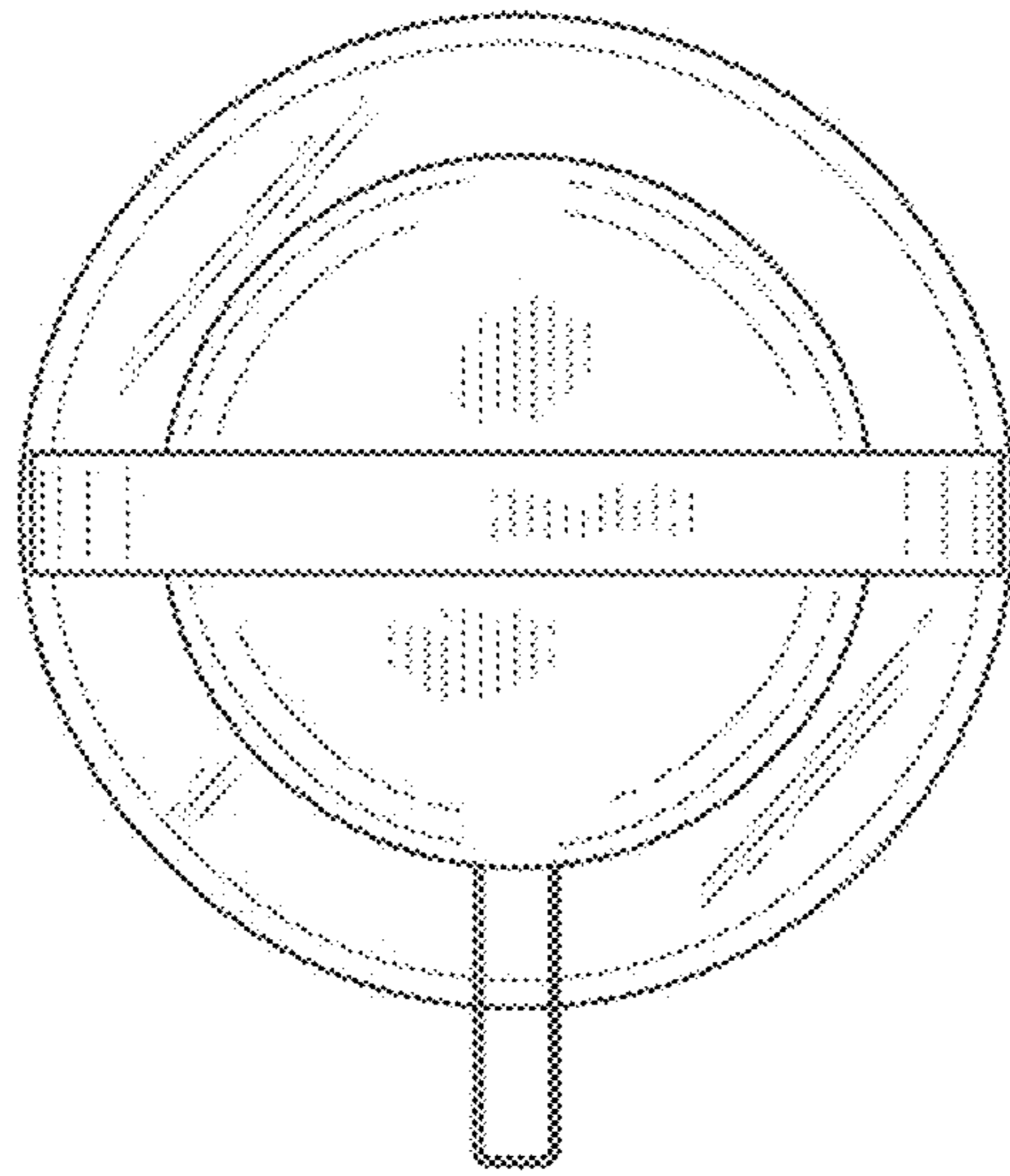


Fig. 5

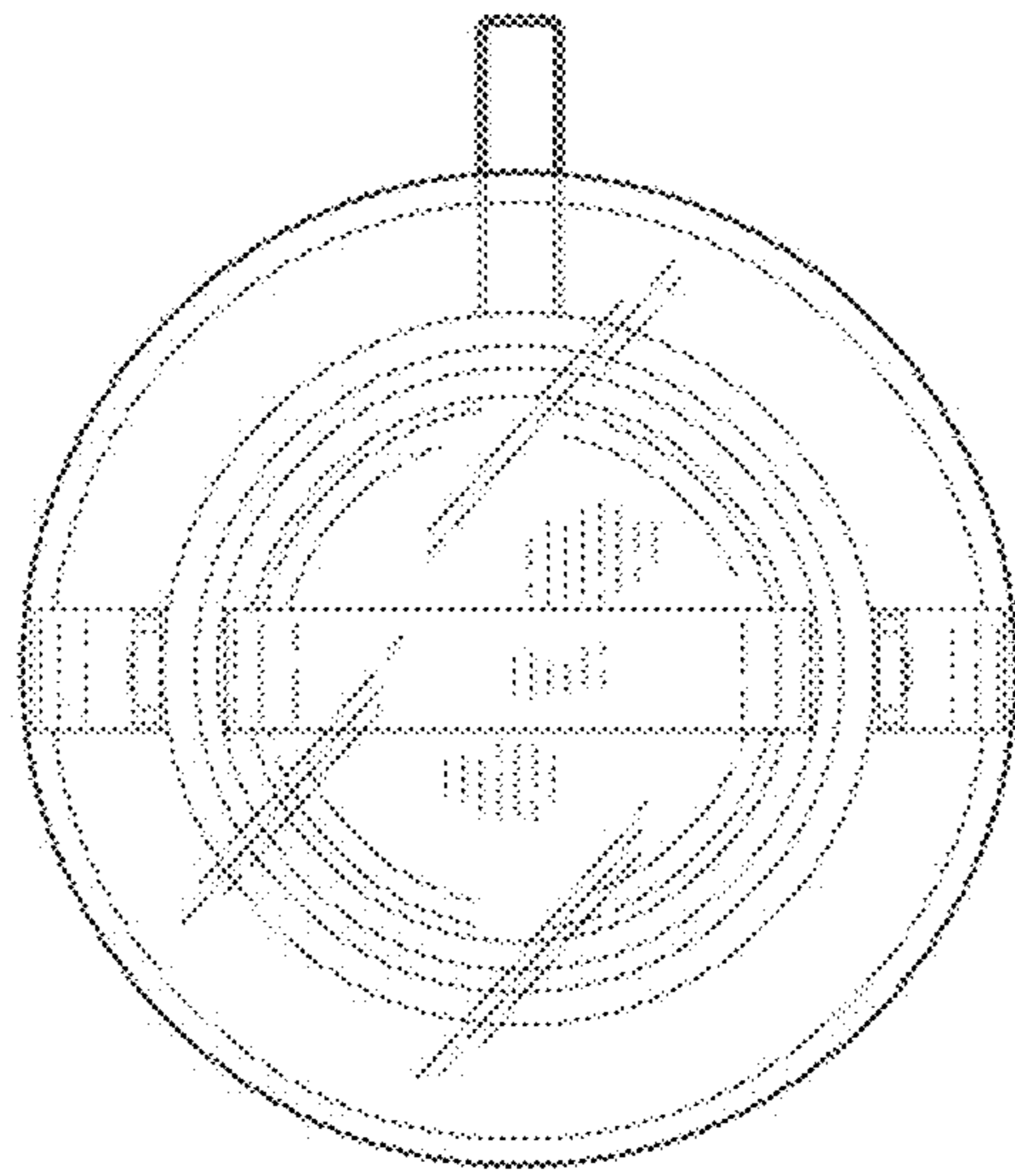


Fig. 6