



US00D703843S

(12) **United States Design Patent**
Cheng

(10) **Patent No.:** **US D703,843 S**

(45) **Date of Patent:** **** Apr. 29, 2014**

(54) **LED LIGHT**

(71) Applicant: **Yung Pun Cheng**, Hong Kong (CN)

(72) Inventor: **Yung Pun Cheng**, Hong Kong (CN)

(**) Term: **14 Years**

(21) Appl. No.: **29/466,255**

(22) Filed: **Sep. 5, 2013**

Related U.S. Application Data

(62) Division of application No. 29/413,928, filed on Feb. 22, 2012.

(30) **Foreign Application Priority Data**

Aug. 25, 2011 (CN) 2011 3 0310909

(51) **LOC (10) Cl.** **26-04**

(52) **U.S. Cl.**
USPC **D26/2**

(58) **Field of Classification Search**
USPC D26/1-4; 313/313, 315, 316, 317, 318,
313/493; 315/52, 53, 56, 57, 58
See application file for complete search history.

(56) **References Cited**

U.S. PATENT DOCUMENTS

D535,038 S * 1/2007 Egawa et al. D26/2
D582,578 S * 12/2008 Tsai et al. D26/2

D584,838 S * 1/2009 To et al. D26/2
D594,995 S * 6/2009 Komar D26/2
D601,722 S * 10/2009 Foo D26/2
D631,989 S * 2/2011 Bobel D26/2
D635,280 S * 3/2011 Chao D26/2
D640,805 S * 6/2011 Li et al. D26/2
D645,580 S * 9/2011 Yoshinobu D26/2
D657,075 S * 4/2012 Guohui D26/2
D673,308 S * 12/2012 Tsai D26/2

* cited by examiner

Primary Examiner — Marcus Jackson

(74) *Attorney, Agent, or Firm* — Christie, Parker & Hale, LLP

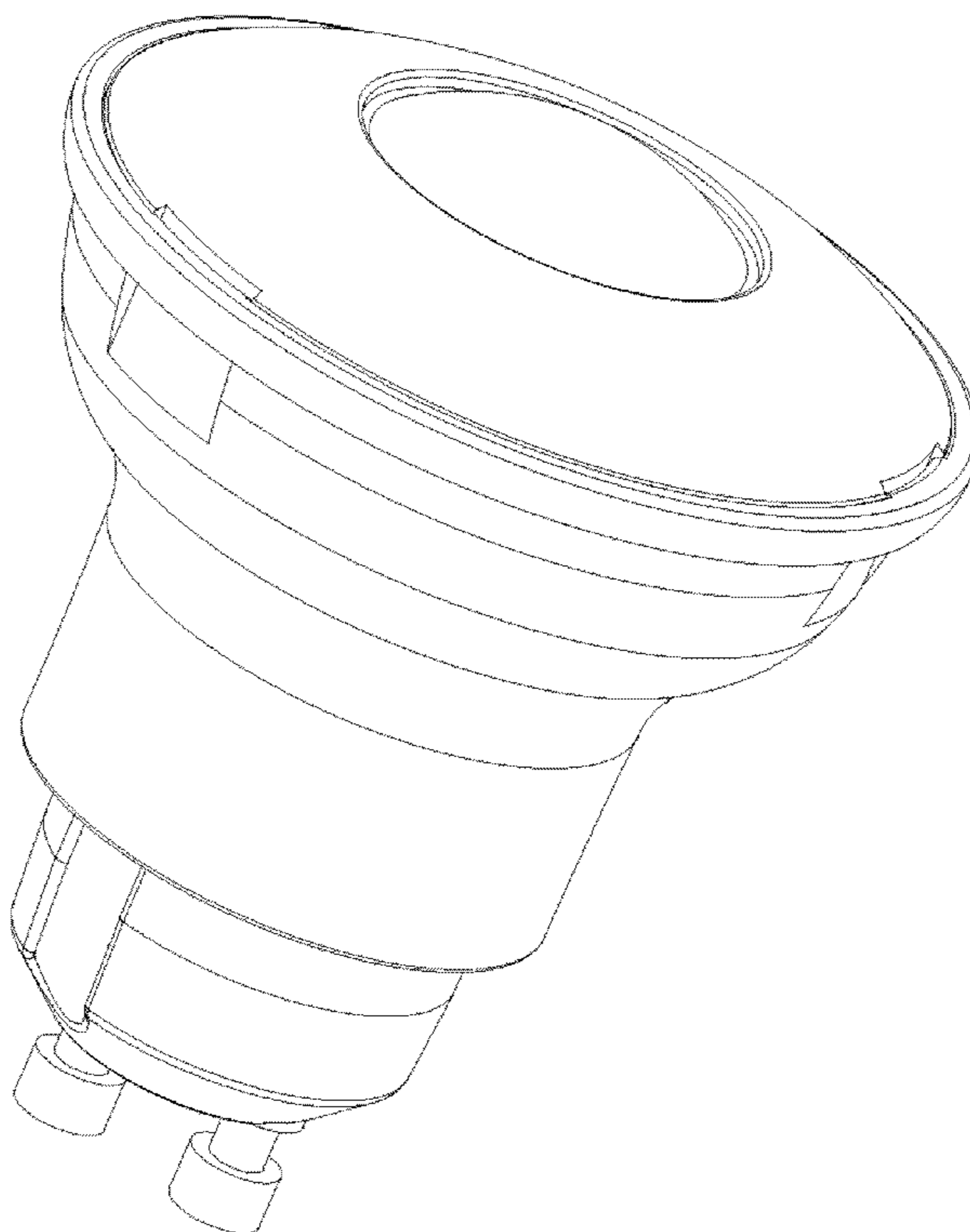
(57) **CLAIM**

The ornamental design for an LED light, as shown and described.

DESCRIPTION

FIG. 1 is a perspective view of an embodiment of an LED light;
FIG. 2 is a front view of an embodiment;
FIG. 3 is a back view of an embodiment;
FIG. 4 is a left side view of an embodiment;
FIG. 5 is a right side view of an embodiment;
FIG. 6 is a top view of an embodiment;
FIG. 7 is a bottom view of an embodiment; and,
FIG. 8 is a cross-sectional view taken along line 8-8 of FIG. 2.

1 Claim, 8 Drawing Sheets



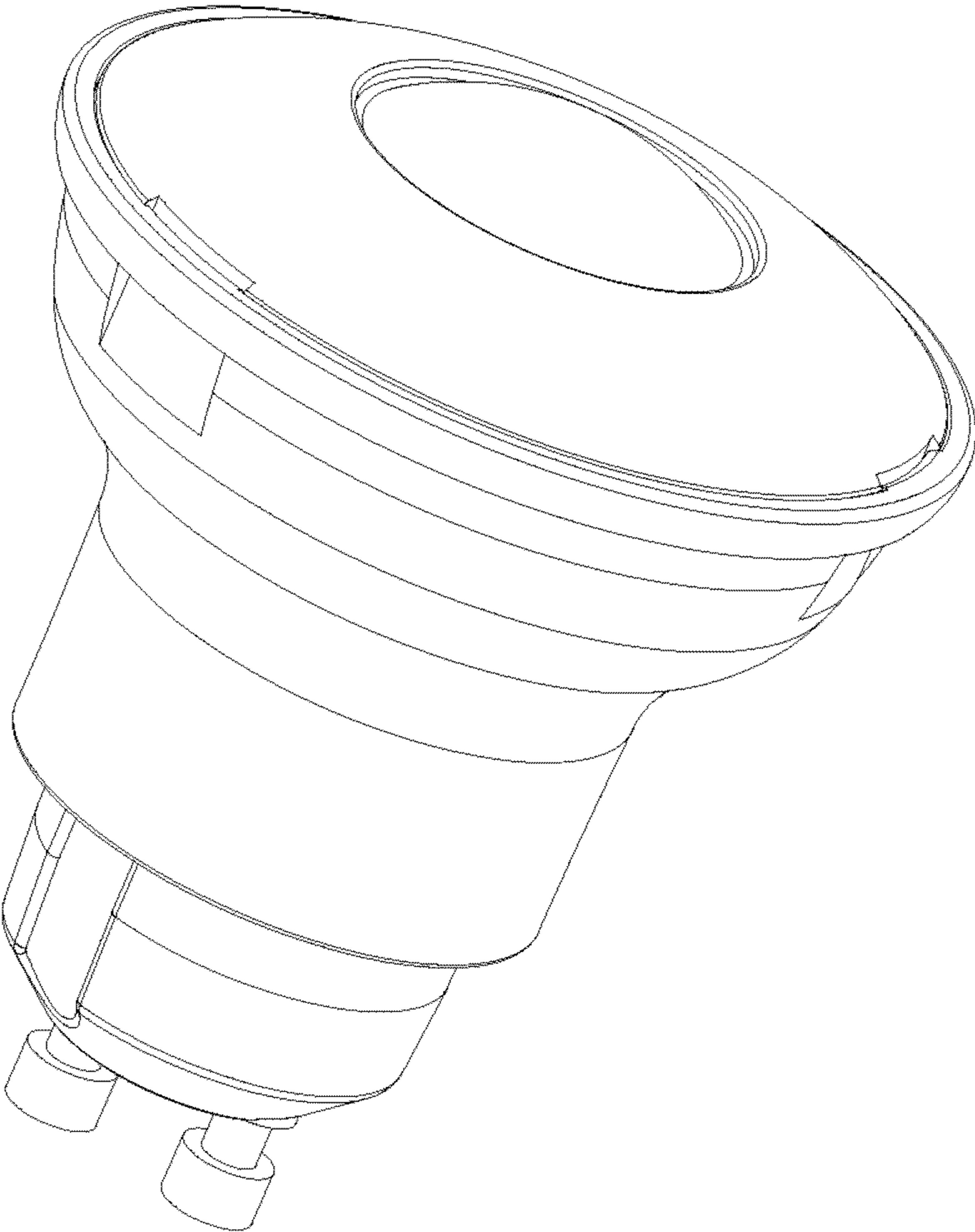


Fig. 1

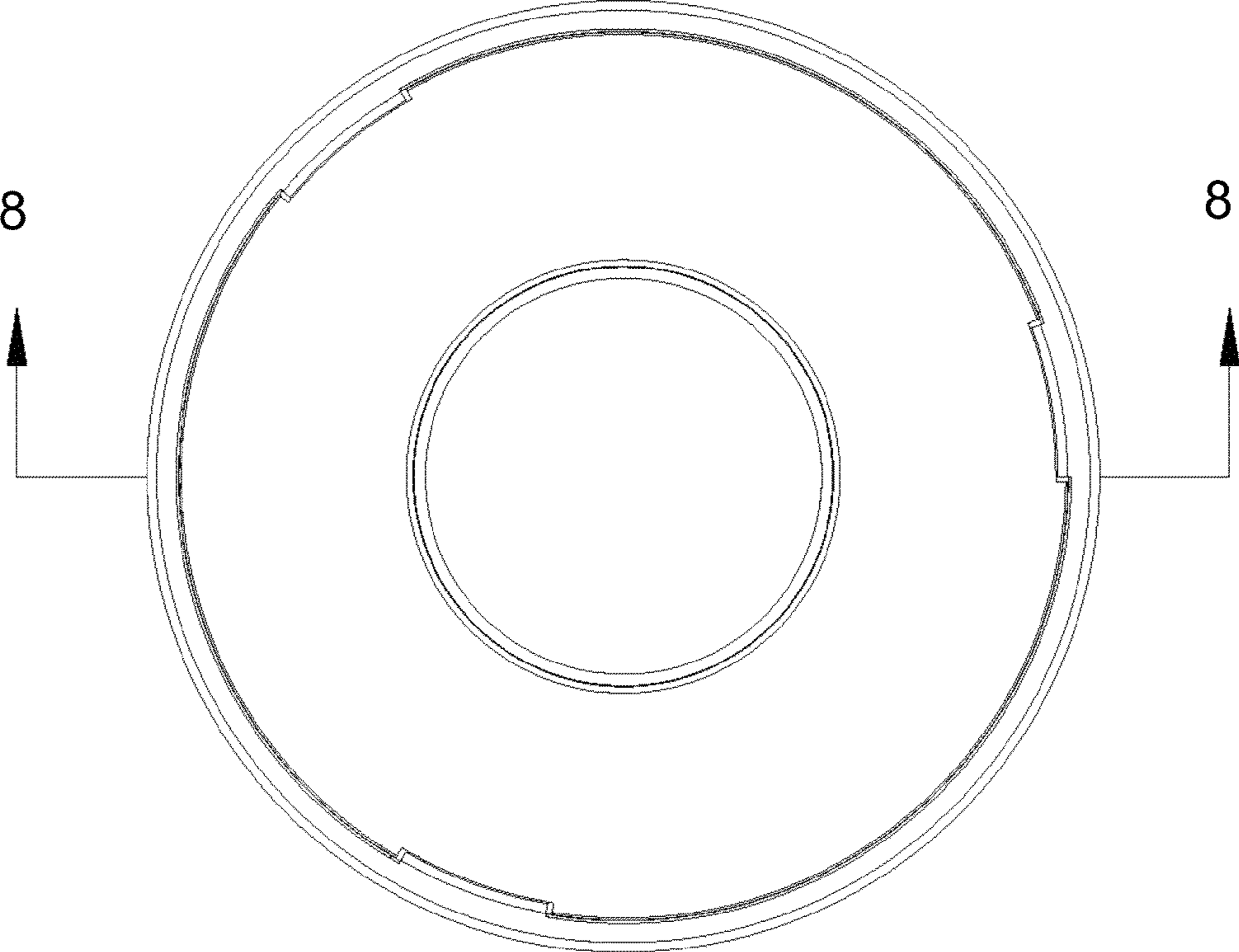


Fig. 2

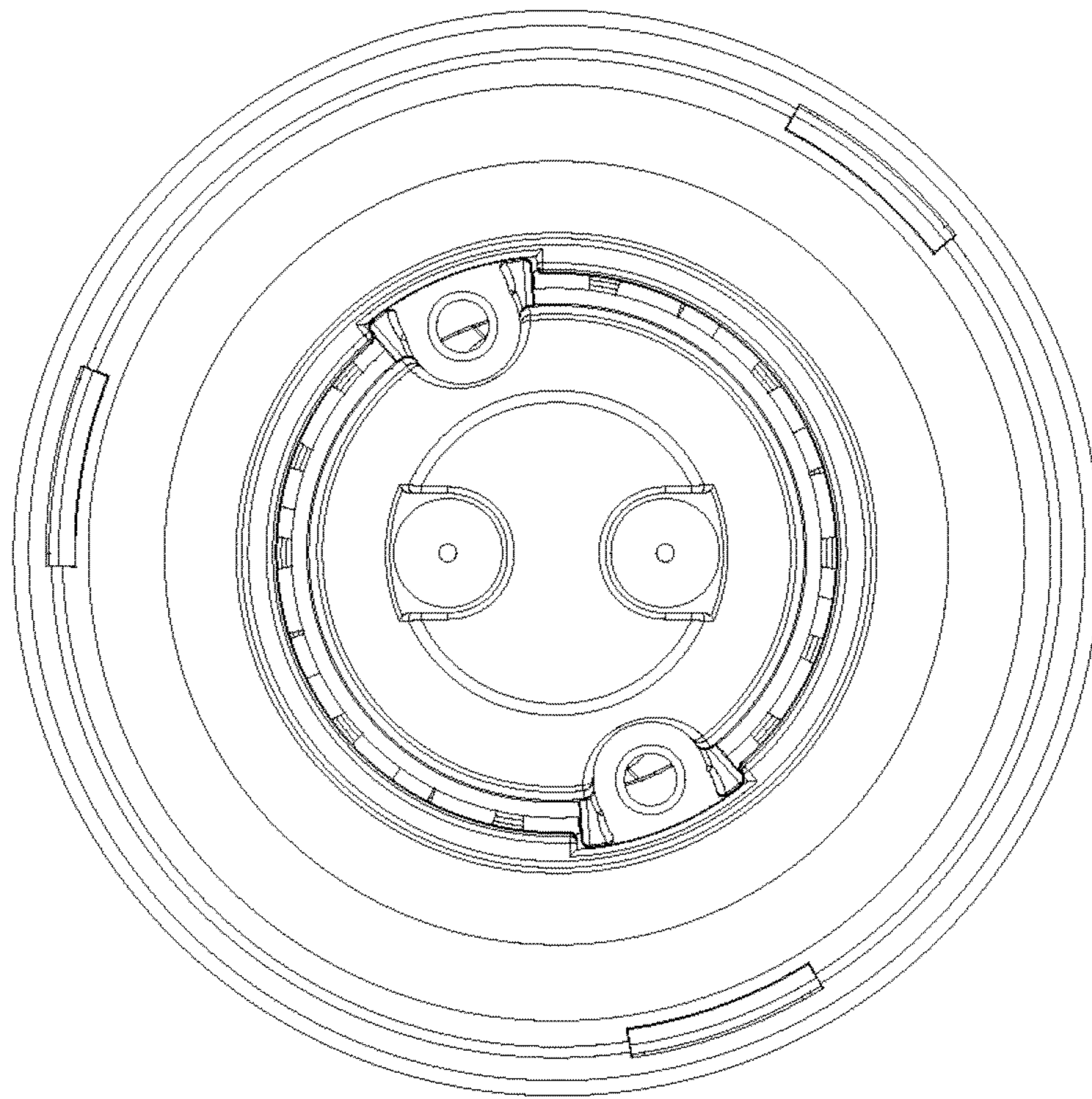


Fig. 3

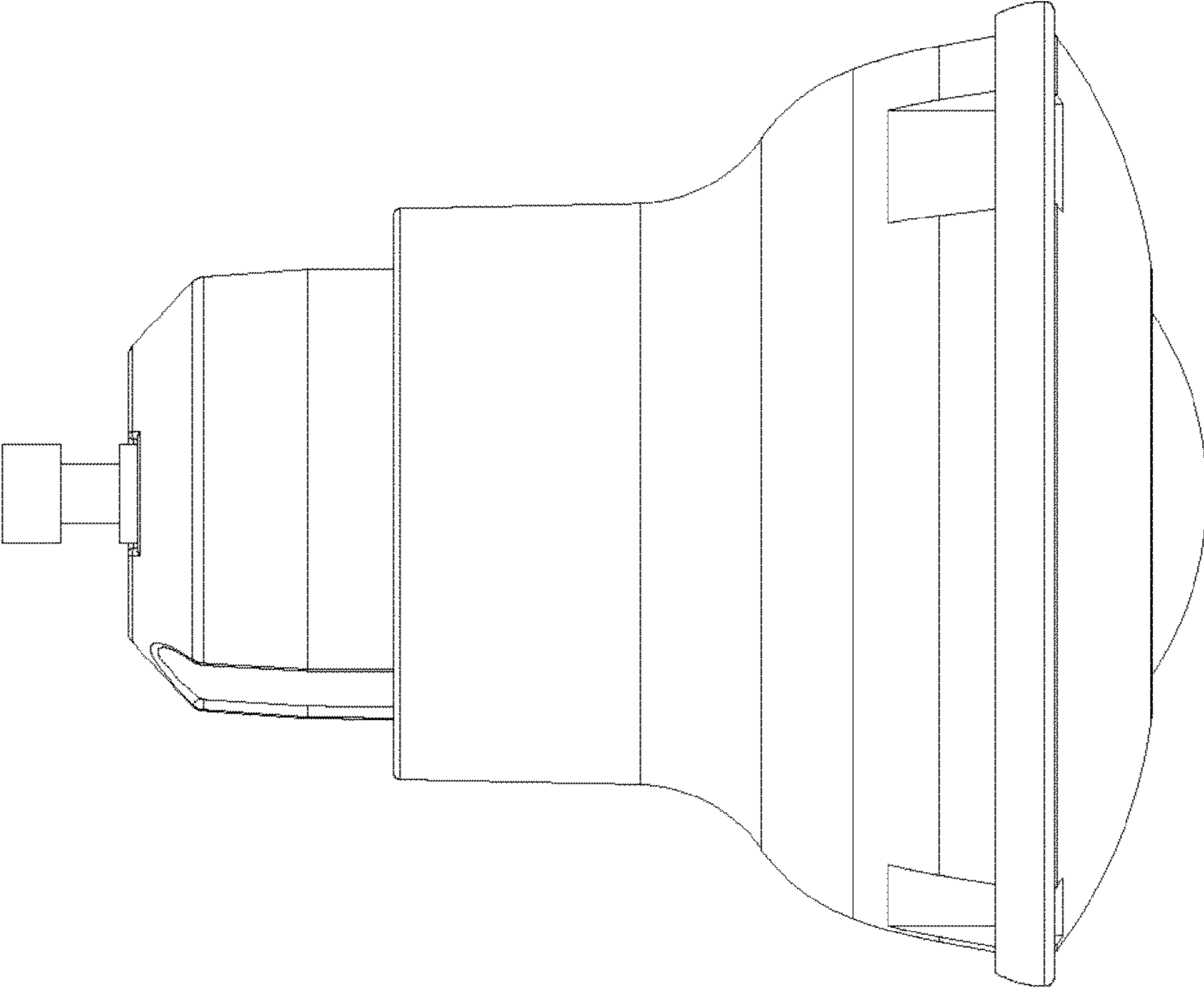


Fig. 4

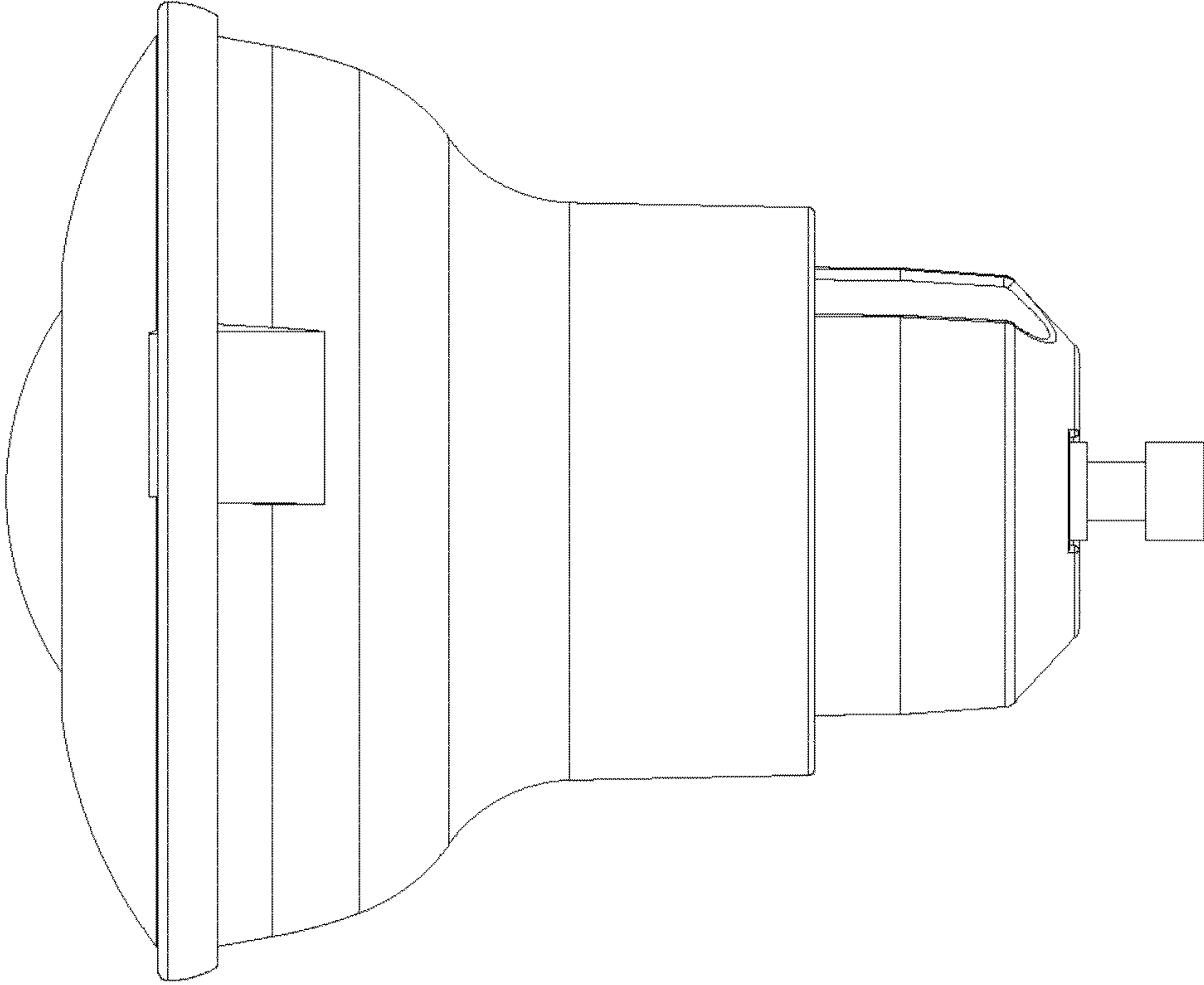


Fig. 5

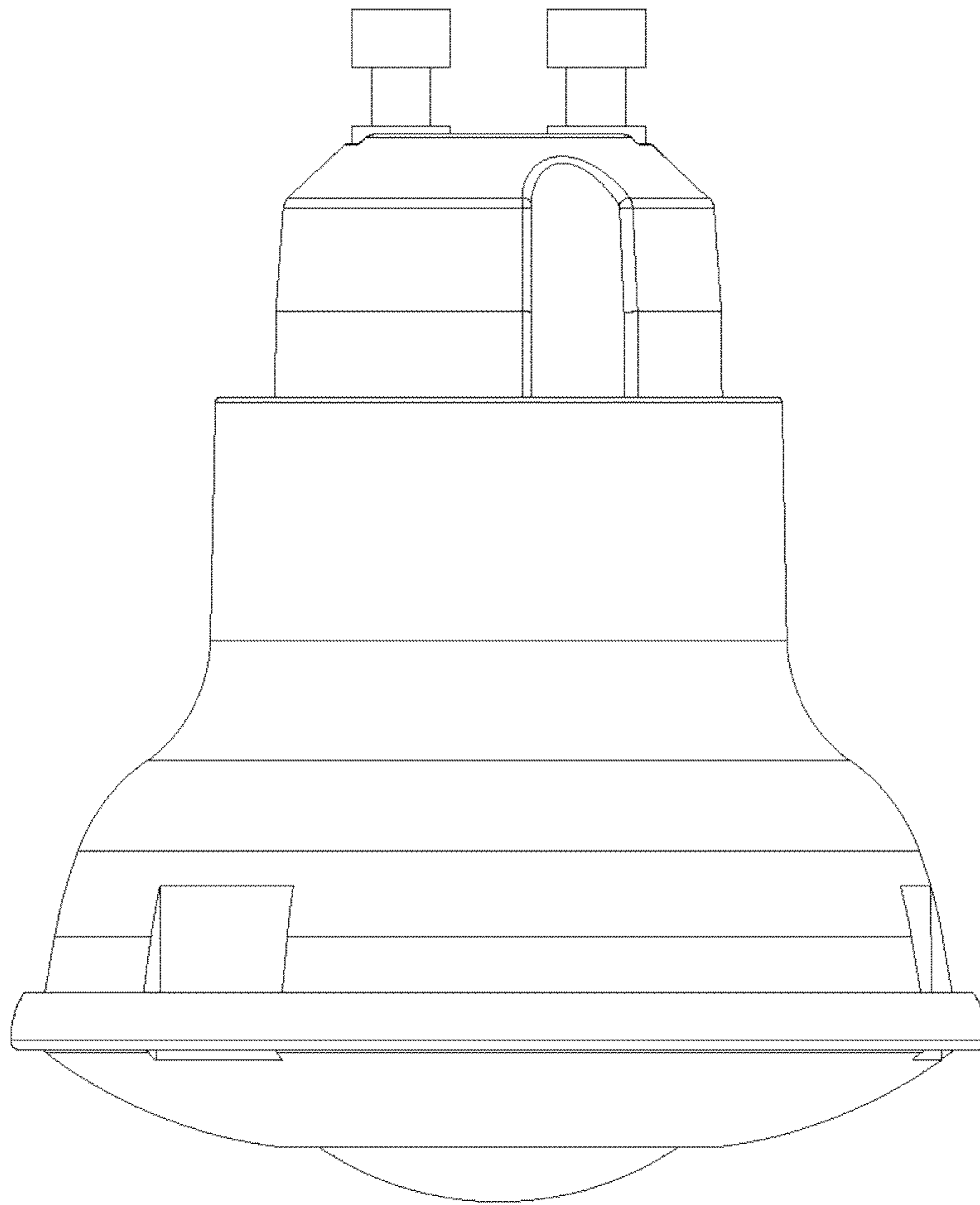


Fig. 6

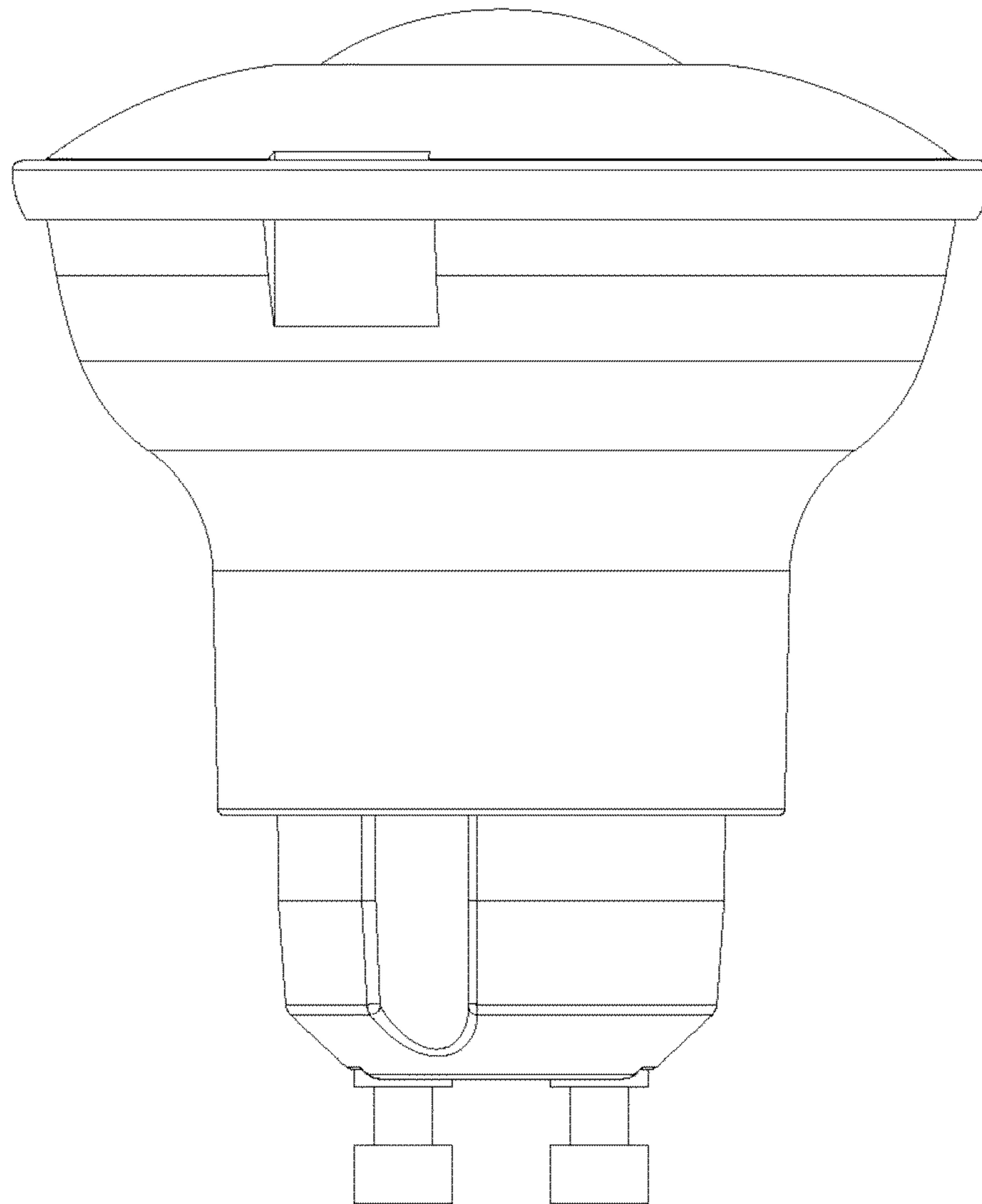


Fig. 7

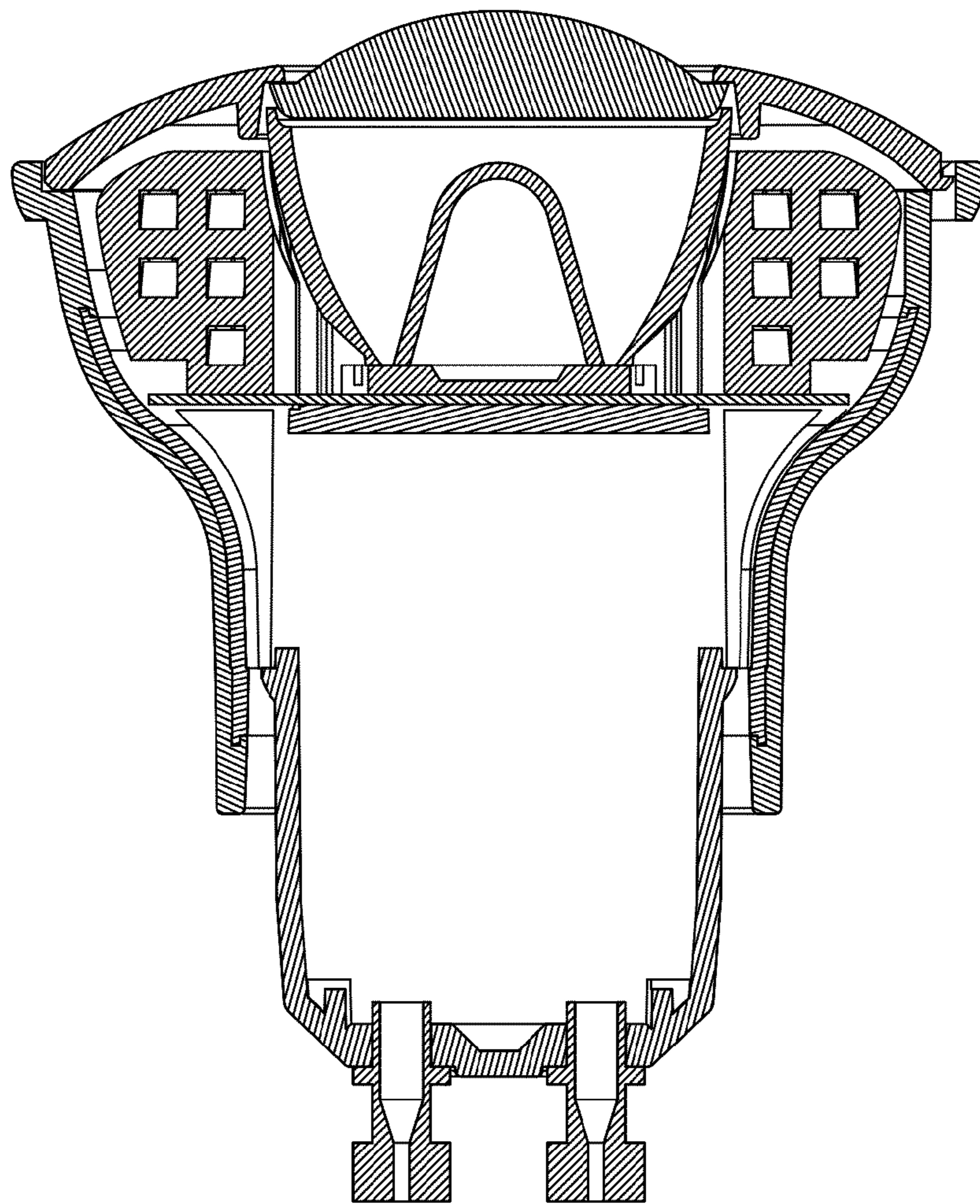


Fig. 8