



US00D703842S

(12) **United States Design Patent**
Holland et al.

(10) **Patent No.:** **US D703,842 S**
(45) **Date of Patent:** **** Apr. 29, 2014**

(54) **LAMP BODY WITH INTEGRALLY MOLDED HEAT SINK**

(71) Applicant: **Lighting Science Group Corporation**,
Satellite Beach, FL (US)

(72) Inventors: **Eric Holland**, Indian Harbour Beach, FL
(US); **Mark P. Boomgaarden**, Satellite
Beach, FL (US); **Rick LeClair**,
Melbourne, FL (US)

(73) Assignee: **Lighting Science Group Corporation**,
Satellite Beach, FL (US)

(**) Term: **14 Years**

(21) Appl. No.: **29/433,354**

(22) Filed: **Sep. 28, 2012**

(51) **LOC (10) Cl.** **26-04**

(52) **U.S. Cl.**
USPC **D26/2**

(58) **Field of Classification Search**
USPC D26/1-4; 313/313, 315, 316, 317, 318,
313/493; 315/52, 53, 56, 57, 58

See application file for complete search history.

(56) **References Cited**

U.S. PATENT DOCUMENTS

D626,257 S	*	10/2010	Pickard	D26/2
D646,809 S	*	10/2011	Shi	D26/2
D647,638 S	*	10/2011	Eckert et al.	D26/2
D647,646 S	*	10/2011	Tsung	D26/2
D670,412 S	*	11/2012	Parker et al.	D26/2

* cited by examiner

Primary Examiner — Marcus Jackson

(74) *Attorney, Agent, or Firm* — Mark R. Malek; Zies
Widerman & Malek

(57) **CLAIM**

The ornamental design of a lamp having a body with an
integrally modular heat sink, as shown and described.

DESCRIPTION

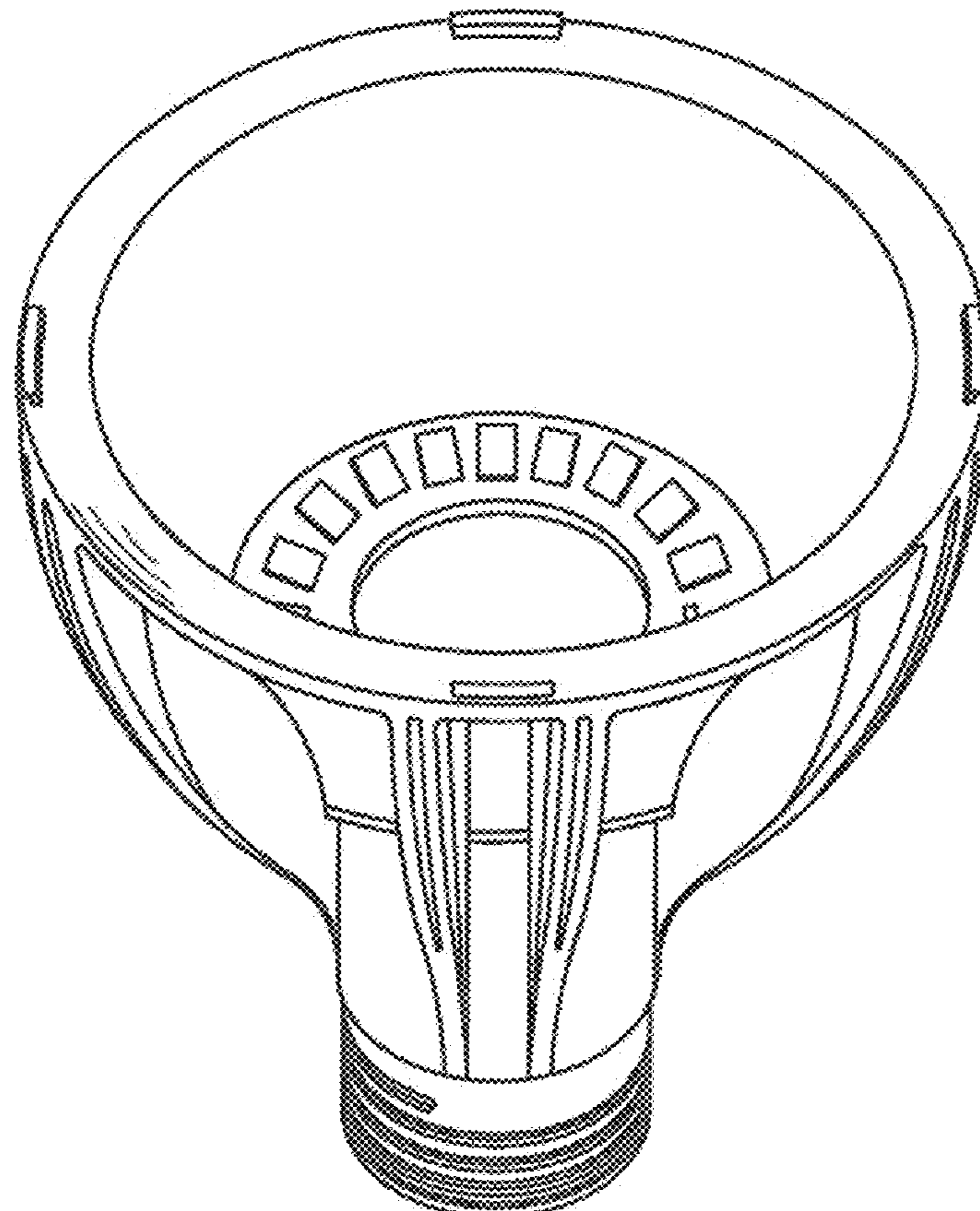
FIG. 1 is a perspective view of a lamp having a body with an
integrally modular heat sink according to the present inven-
tion.

FIG. 2 is a side elevation view of the lamp having a body with
an integrally modular heat sink illustrated in FIG. 1.

FIG. 3 is a top plan view of the lamp having a body with an
integrally modular heat sink illustrated in FIG. 1; and,

FIG. 4 is a bottom plan view of the lamp having a body with
an integrally modular heat sink illustrated in FIG. 1.

1 Claim, 2 Drawing Sheets



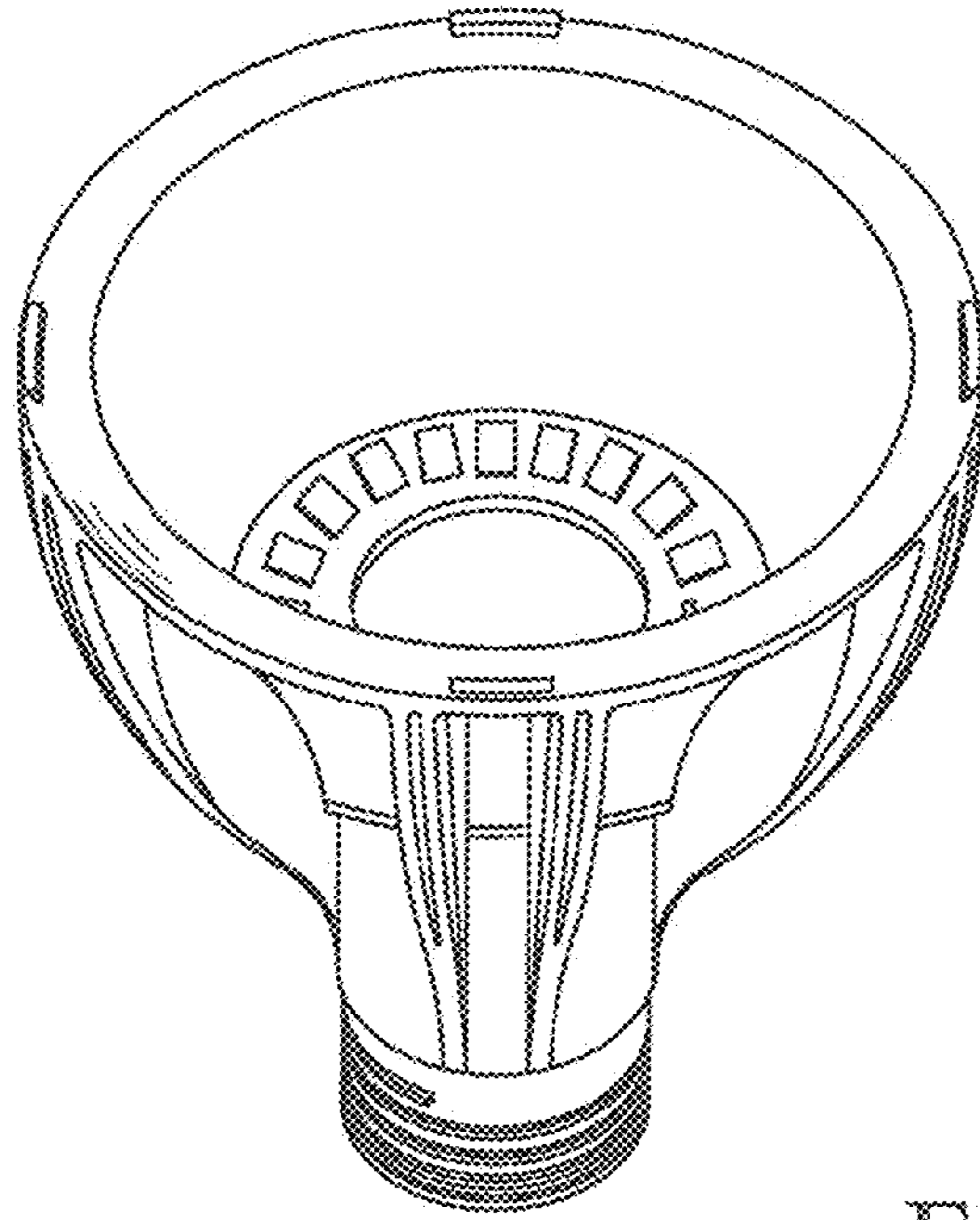


Fig. 1

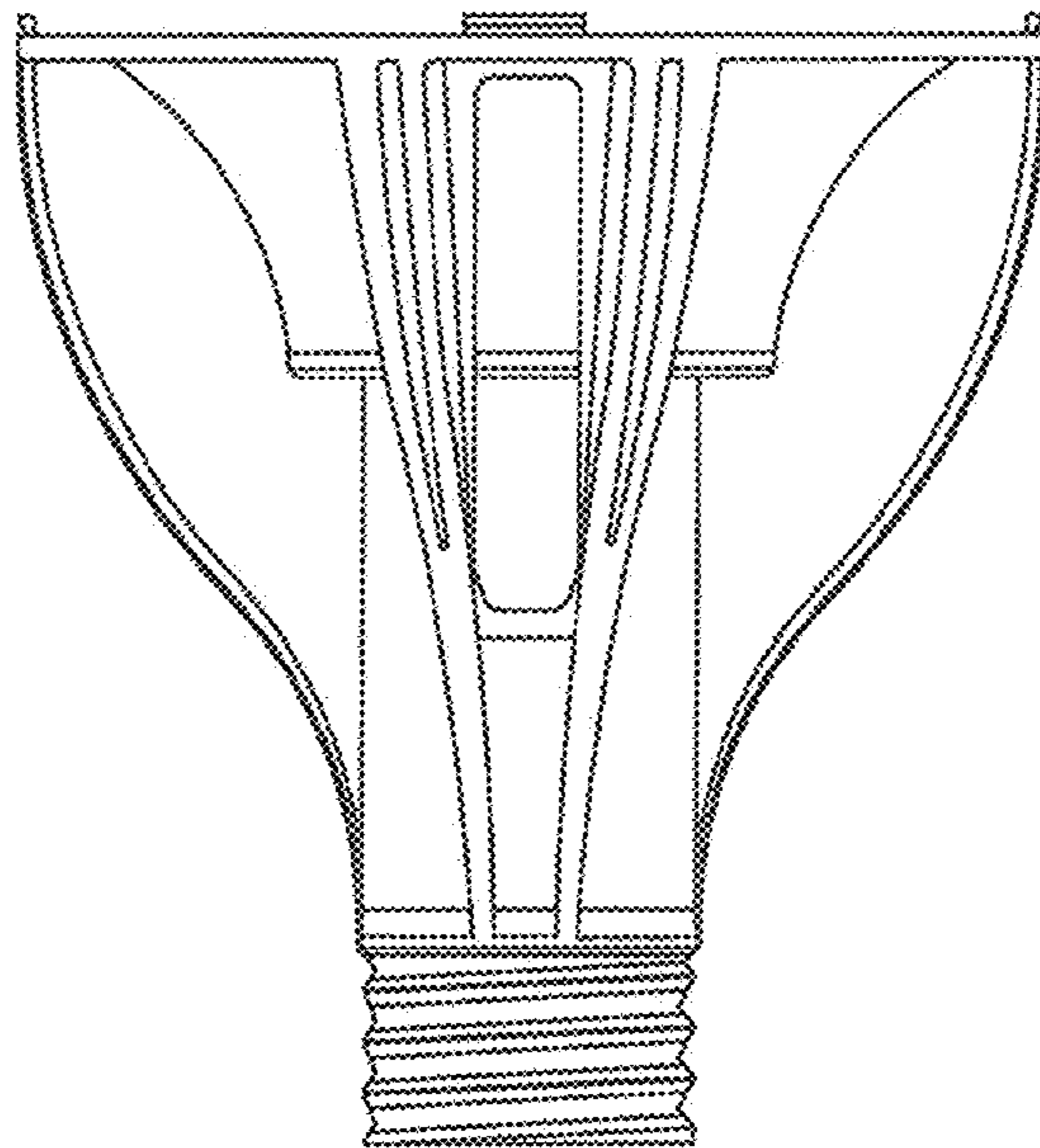


Fig. 2

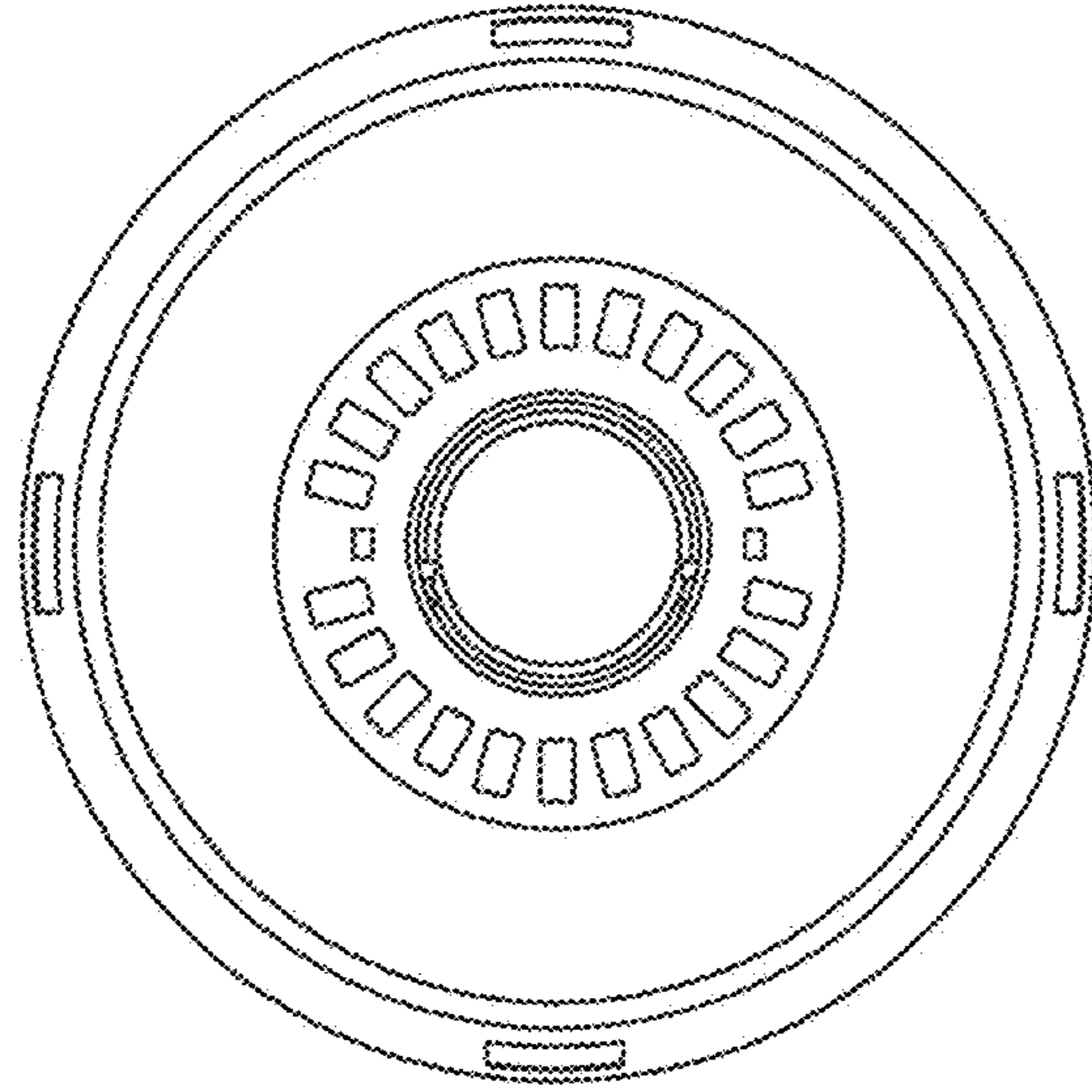


Fig. 3

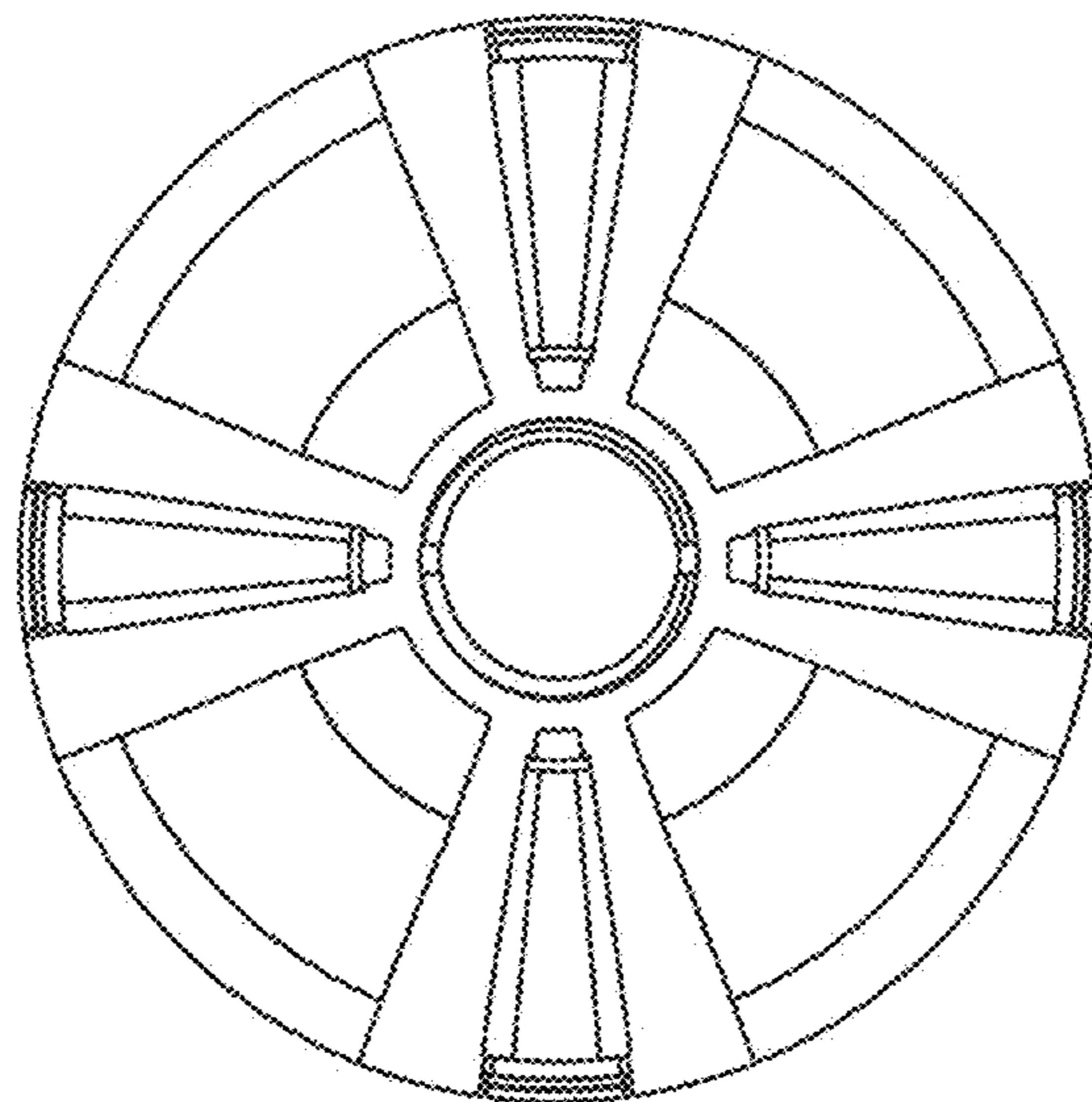


Fig. 4