



US00D703841S

(12) **United States Design Patent**
Feng et al.

(10) **Patent No.:** **US D703,841 S**
(45) **Date of Patent:** **** Apr. 29, 2014**

(54) **LED LIGHTING MODULE**

D667,145 S * 9/2012 Bierhuizen et al. D26/1
D683,481 S * 5/2013 Bierhuizen et al. D26/1
D693,033 S * 11/2013 Takeda et al. D26/1

(71) Applicant: **Osram AG**, Munich (DE)

(72) Inventors: **Yaojun Feng**, Shenzhen (CN);
Yuanyuan He, Shenzhen (CN); **Hua Wang**, Shenzhen (CN)

FOREIGN PATENT DOCUMENTS

EM 001791773-0001 12/2010
EM 001792177-0001 12/2010
EM 001792243-0001 12/2010
EM 001792284-0001 12/2010
EM 001791971-0001 12/2012
JP 1441276 S 4/2012
JP 1441277 S 4/2012
JP 1441278 S 4/2012
JP 1441279 S 4/2012
JP 1441542 S 4/2012

(73) Assignee: **Osram GmbH**, Munich (DE)

(**) Term: **14 Years**

(21) Appl. No.: **29/433,095**

(22) Filed: **Sep. 26, 2012**

* cited by examiner

(30) **Foreign Application Priority Data**

Apr. 11, 2012 (EM) 002023309

(51) **LOC (10) Cl.** **26-04**

(52) **U.S. Cl.**
USPC **D26/1**

(58) **Field of Classification Search**
USPC D26/1-4; 313/313, 315, 316, 317, 318,
313/493

See application file for complete search history.

Primary Examiner — Marcus Jackson

(57) **CLAIM**

The ornamental design for an LED lighting module, as shown and described.

DESCRIPTION

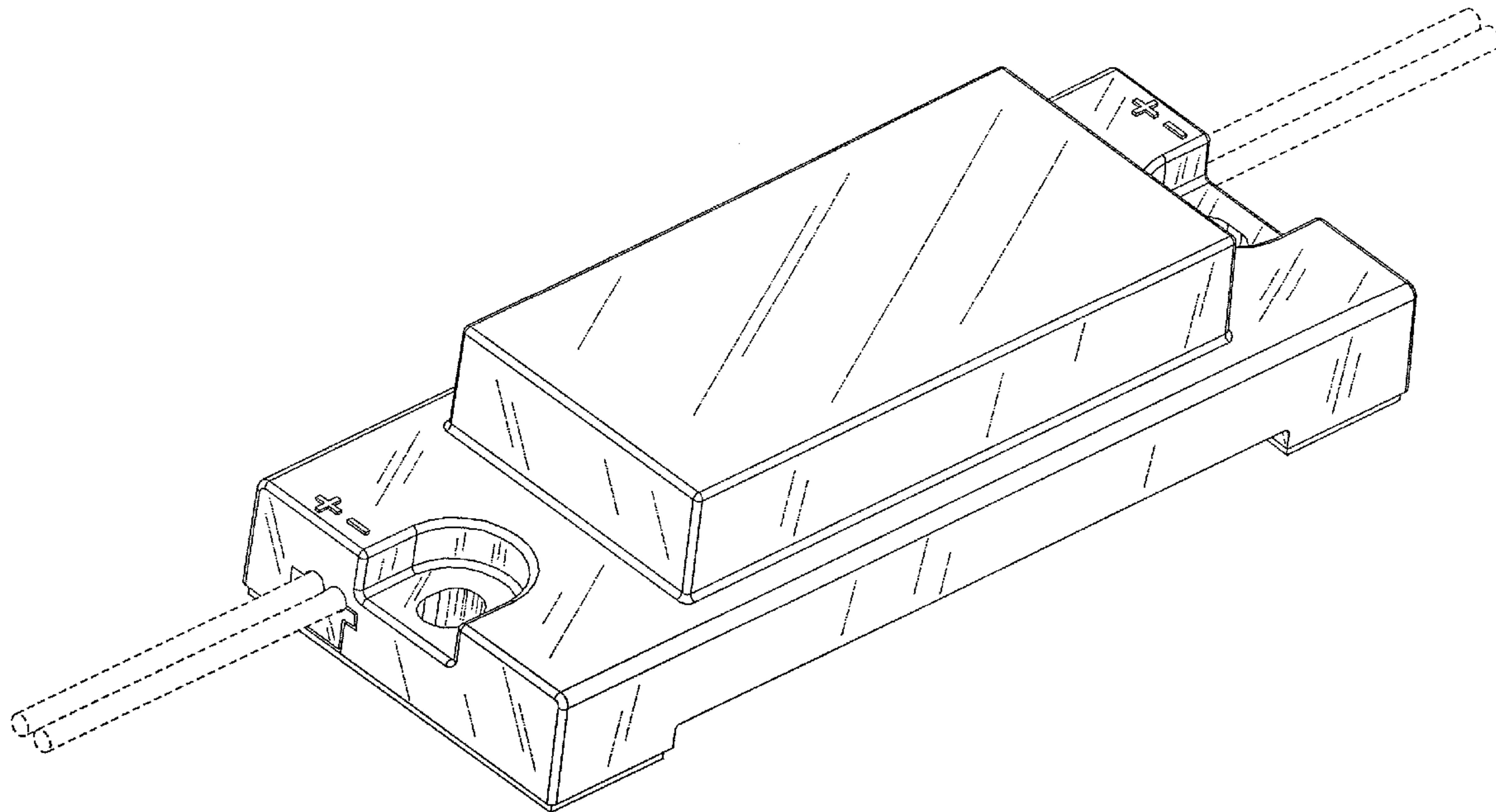
FIG. 1 is a perspective view of an LED lighting module; FIG. 2 is a front view of the LED lighting module; FIG. 3 is a back view of the LED lighting module; FIG. 4 is a right side view of the LED lighting module; FIG. 5 is a left view of the LED lighting module; FIG. 6 is a top view of the LED lighting module; and, FIG. 7 is a bottom view of the LED lighting module.

(56) **References Cited**

U.S. PATENT DOCUMENTS

D634,863 S * 3/2011 Leung D26/1
D636,899 S * 4/2011 Shibahara D26/1

1 Claim, 7 Drawing Sheets



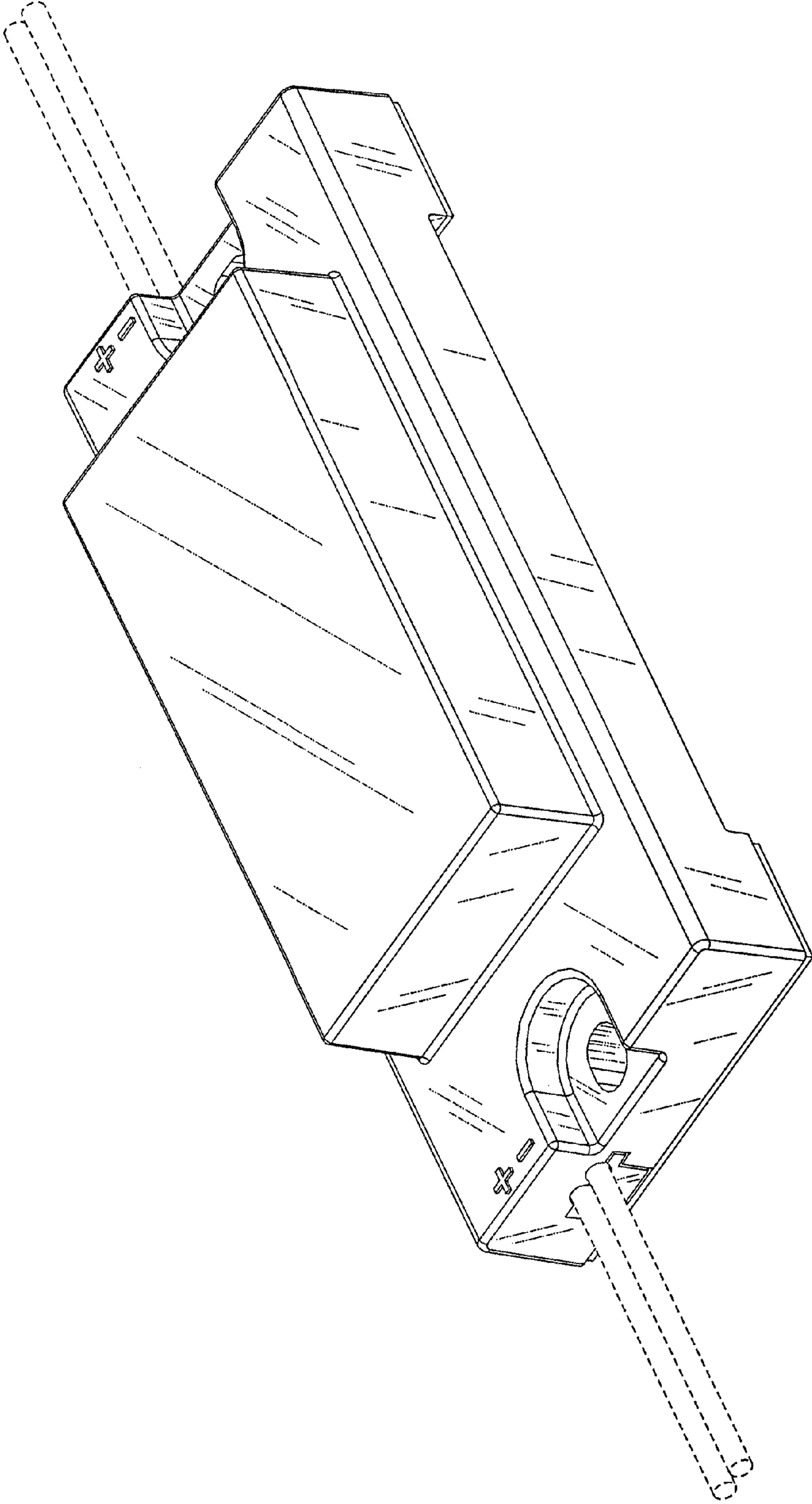


Fig. 1

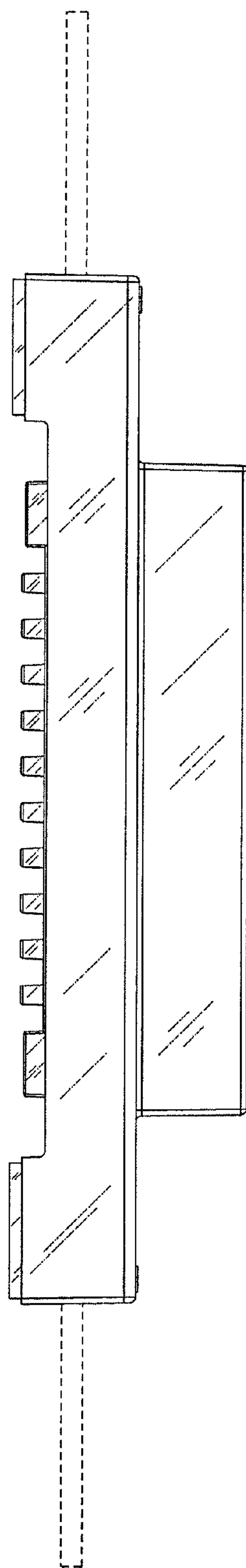


Fig. 2

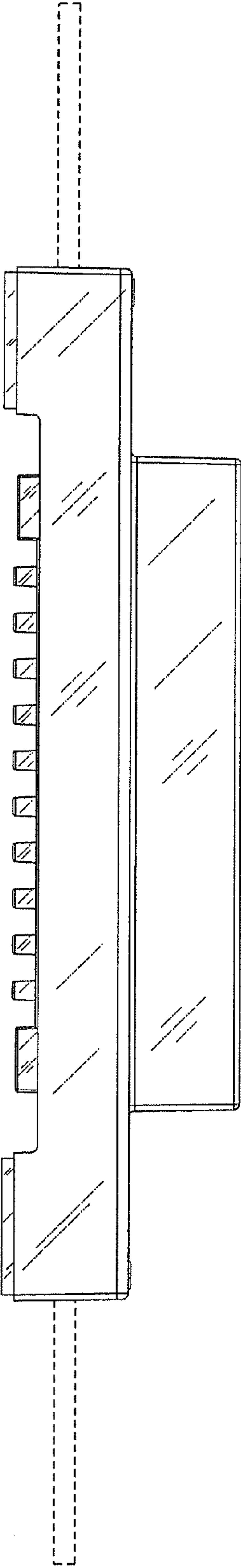


Fig. 3

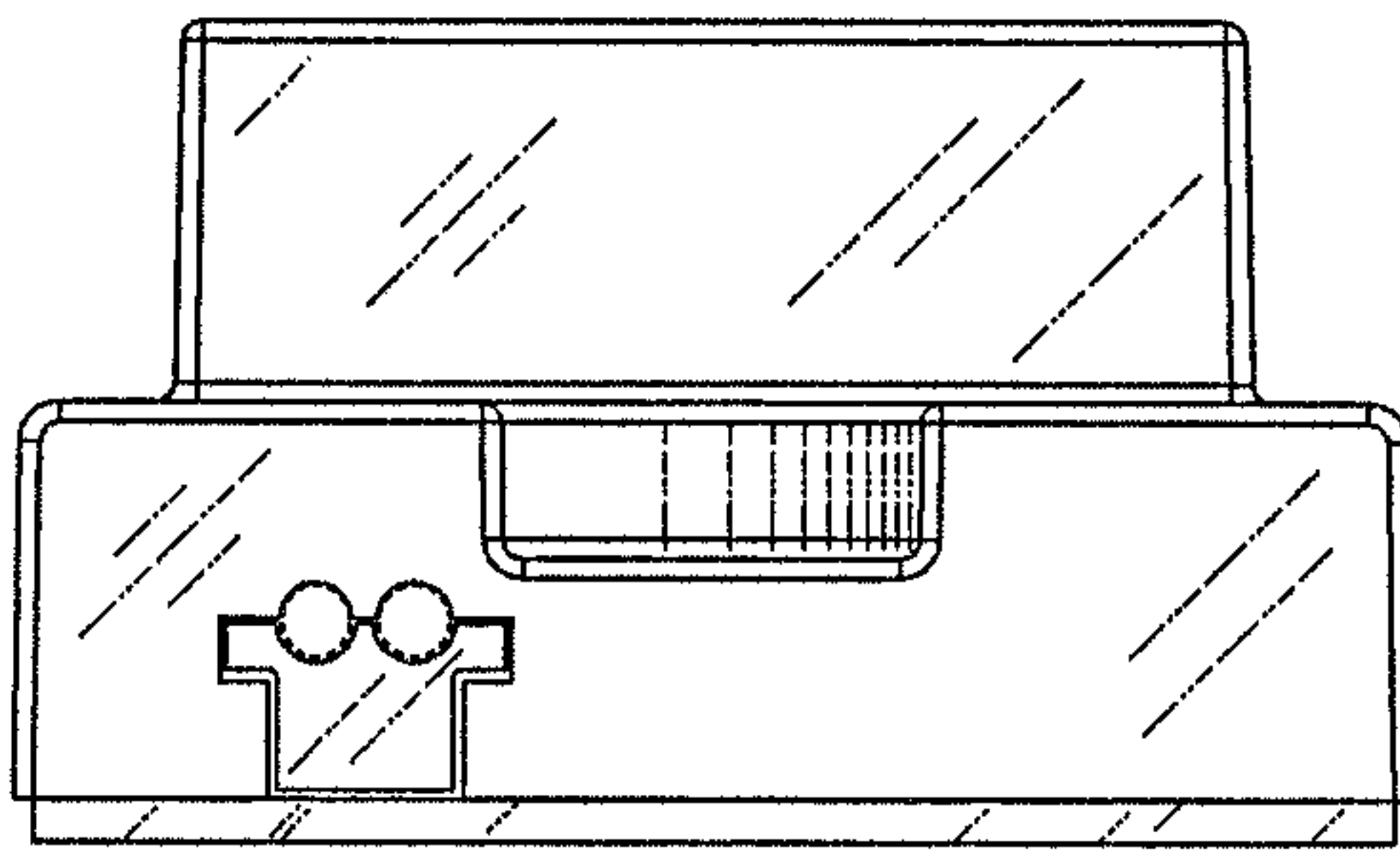


Fig. 4

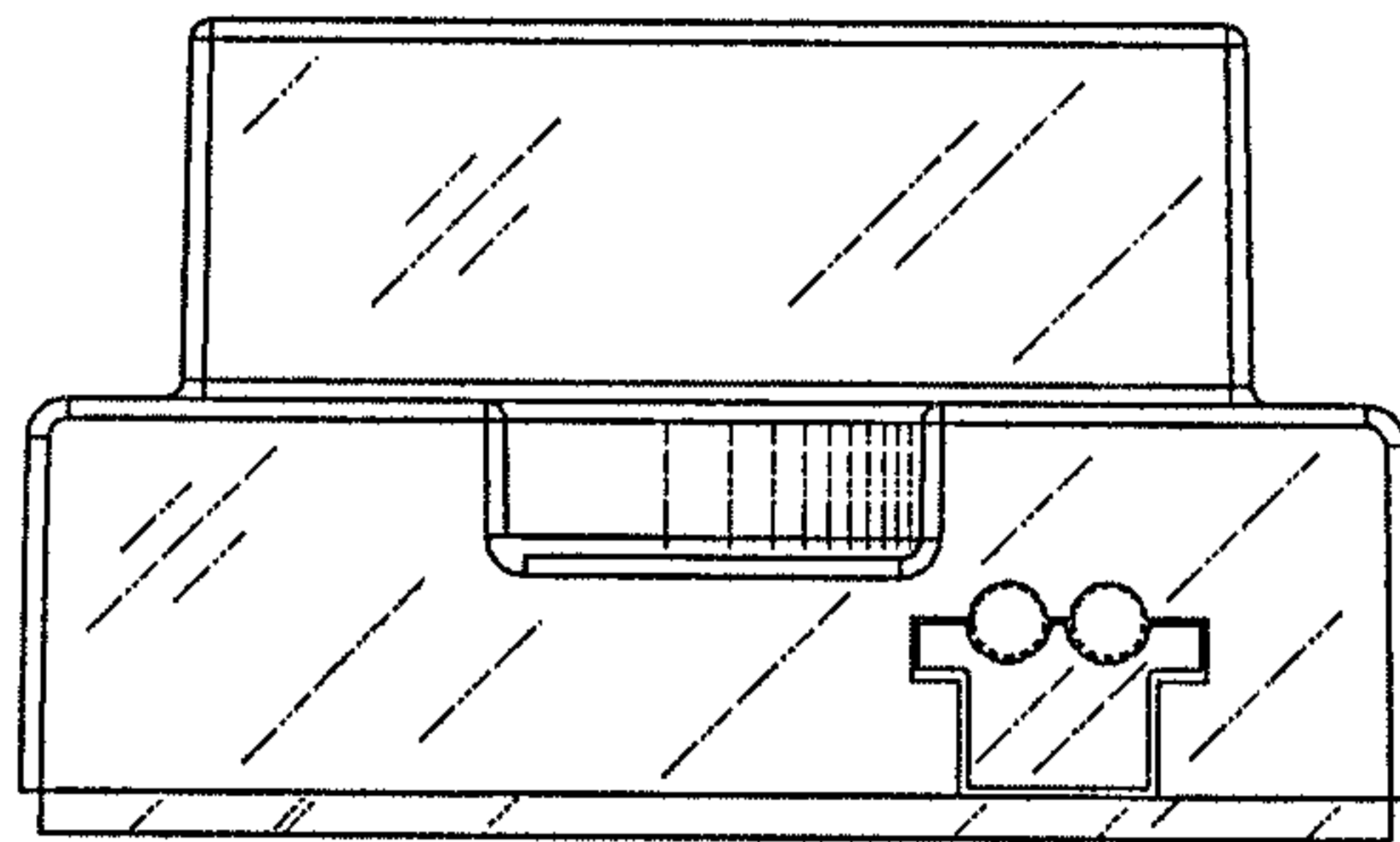


Fig. 5

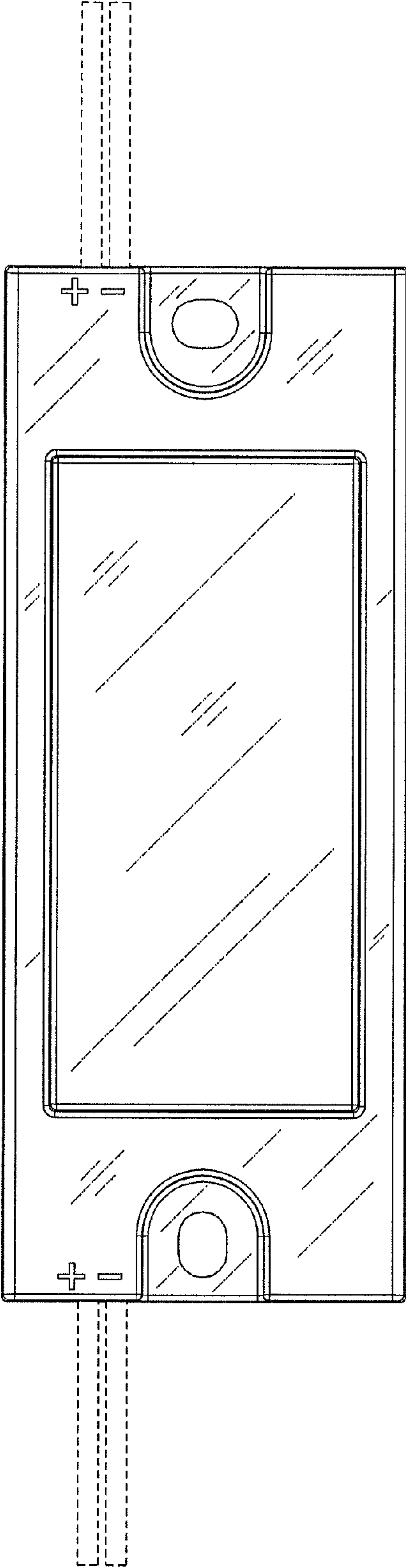


Fig. 6

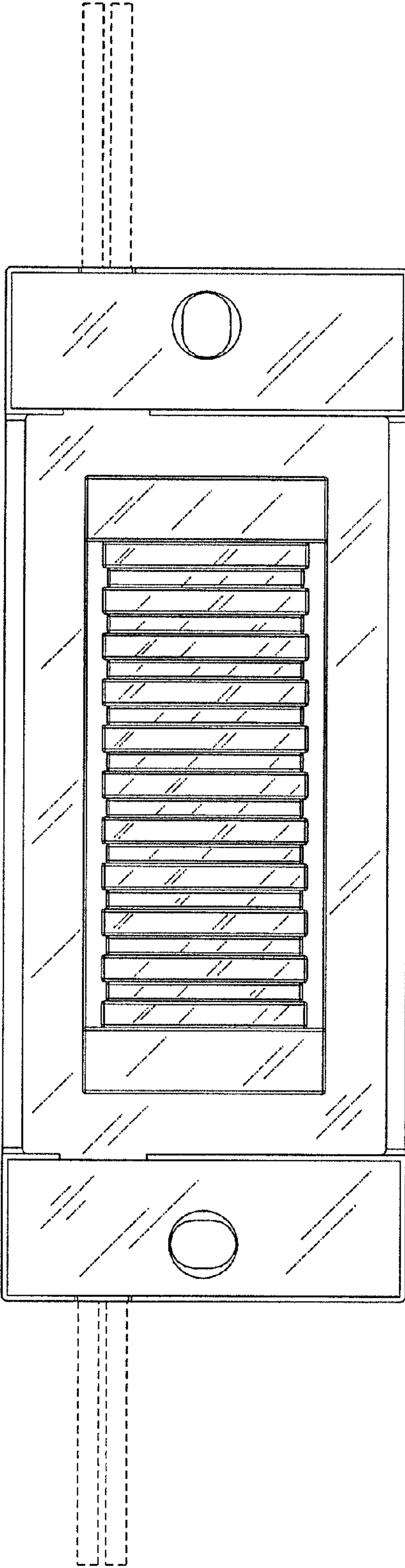


Fig. 7