



US00D703839S

(12) **United States Design Patent**
Erickson

(10) **Patent No.:** **US D703,839 S**

(45) **Date of Patent:** **** Apr. 29, 2014**

(54) **LANDSCAPE POST FOR SOLAR AND OTHER LIGHT FIXTURES**

D410,553 S * 6/1999 Compton D25/126
D430,942 S * 9/2000 Schuster D25/126
D480,158 S * 9/2003 Ludwig D25/126

(76) Inventor: **Michael Z. Erickson**, Isanti, MN (US)

* cited by examiner

(**) Term: **14 Years**

Primary Examiner — Doris Clark

(21) Appl. No.: **29/430,754**

(74) *Attorney, Agent, or Firm* — Gerald E. Helget; Briggs and Morgan, P.A.

(22) Filed: **Aug. 29, 2012**

(57) **CLAIM**

(51) **LOC (10) Cl.** **25-01**

The ornamental design for a landscape post for solar and other light fixtures, as shown and described.

(52) **U.S. Cl.**

DESCRIPTION

USPC **D25/126**

(58) **Field of Classification Search**

USPC D25/126; D26/67, 68; 256/119, 65.14; 362/431

See application file for complete search history.

FIG. 1 is a perspective view showing my new design for a landscape post for solar and other light fixtures;
FIG. 2 is a front elevational view which is the same as the rear, left side and right side views;
FIG. 3 is a top plan view; and,
FIG. 4 is a bottom view.

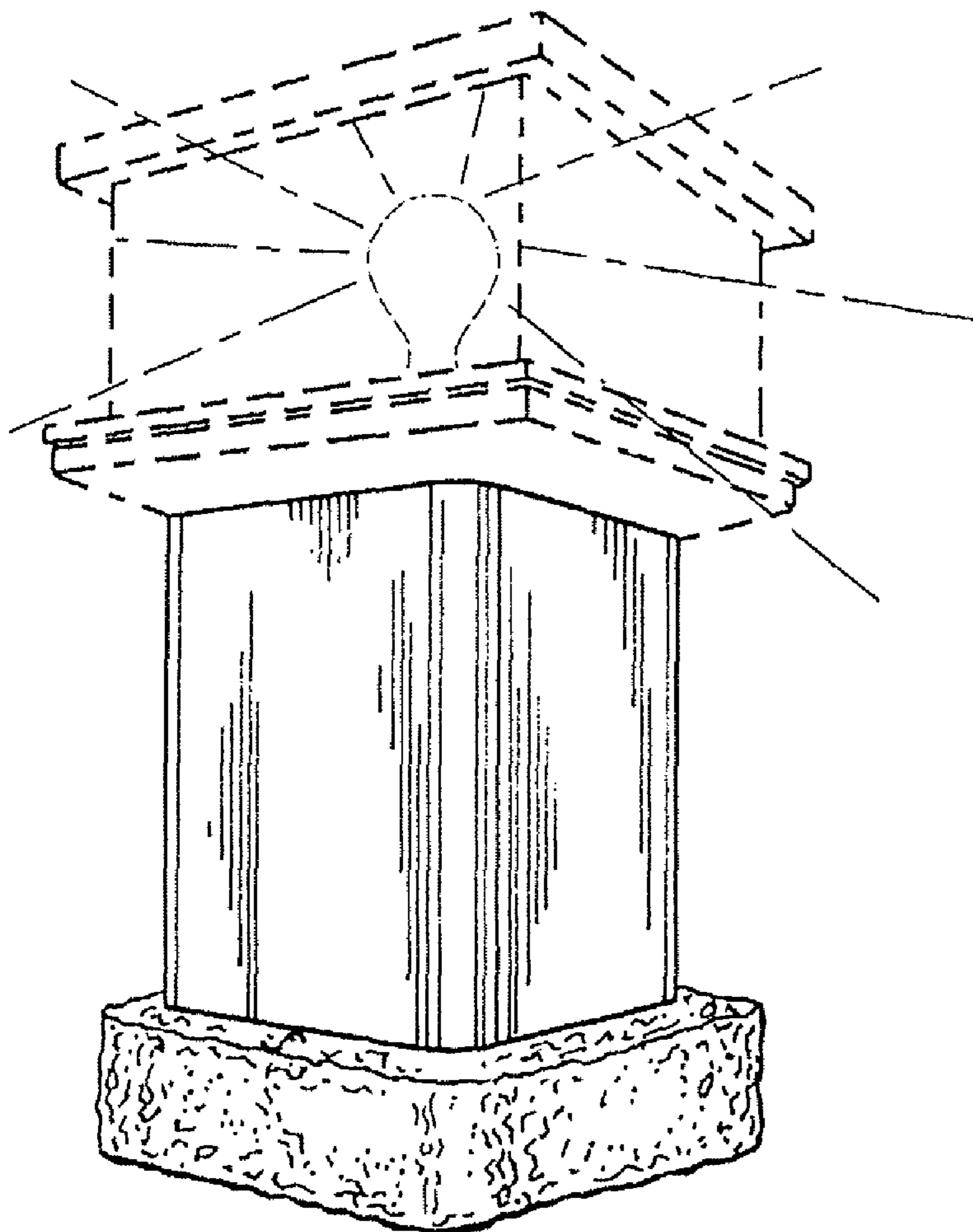
(56) **References Cited**

The broken line drawings of the light fixture and inner bracket mounting apparatus are for illustrative purposes only and form no part of the claimed design.

U.S. PATENT DOCUMENTS

3,521,047 A * 7/1970 Smith 362/222
4,858,877 A * 8/1989 Carter 248/545
5,628,558 A * 5/1997 Iacono et al. 362/288

1 Claim, 1 Drawing Sheet



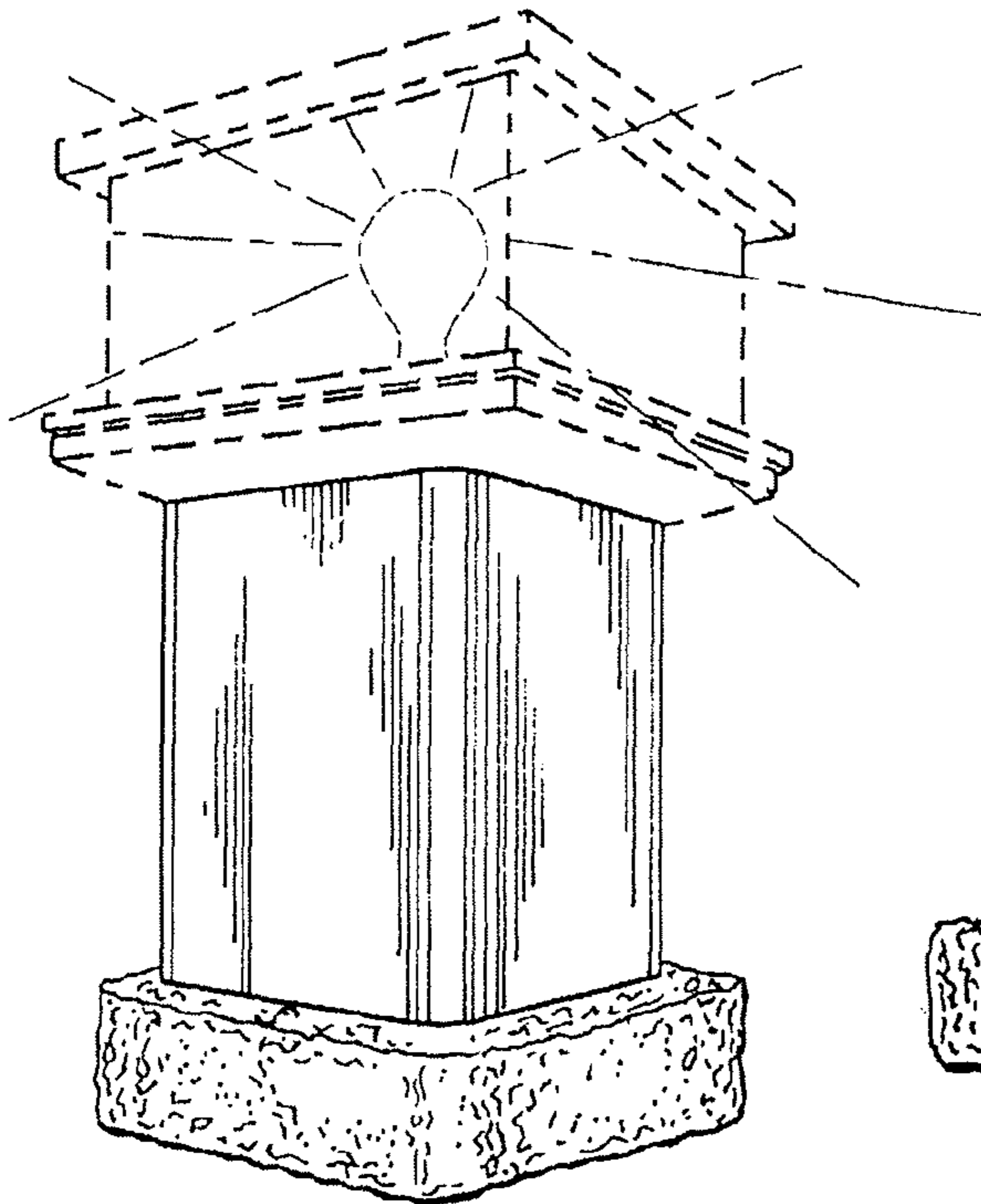


Fig. 1

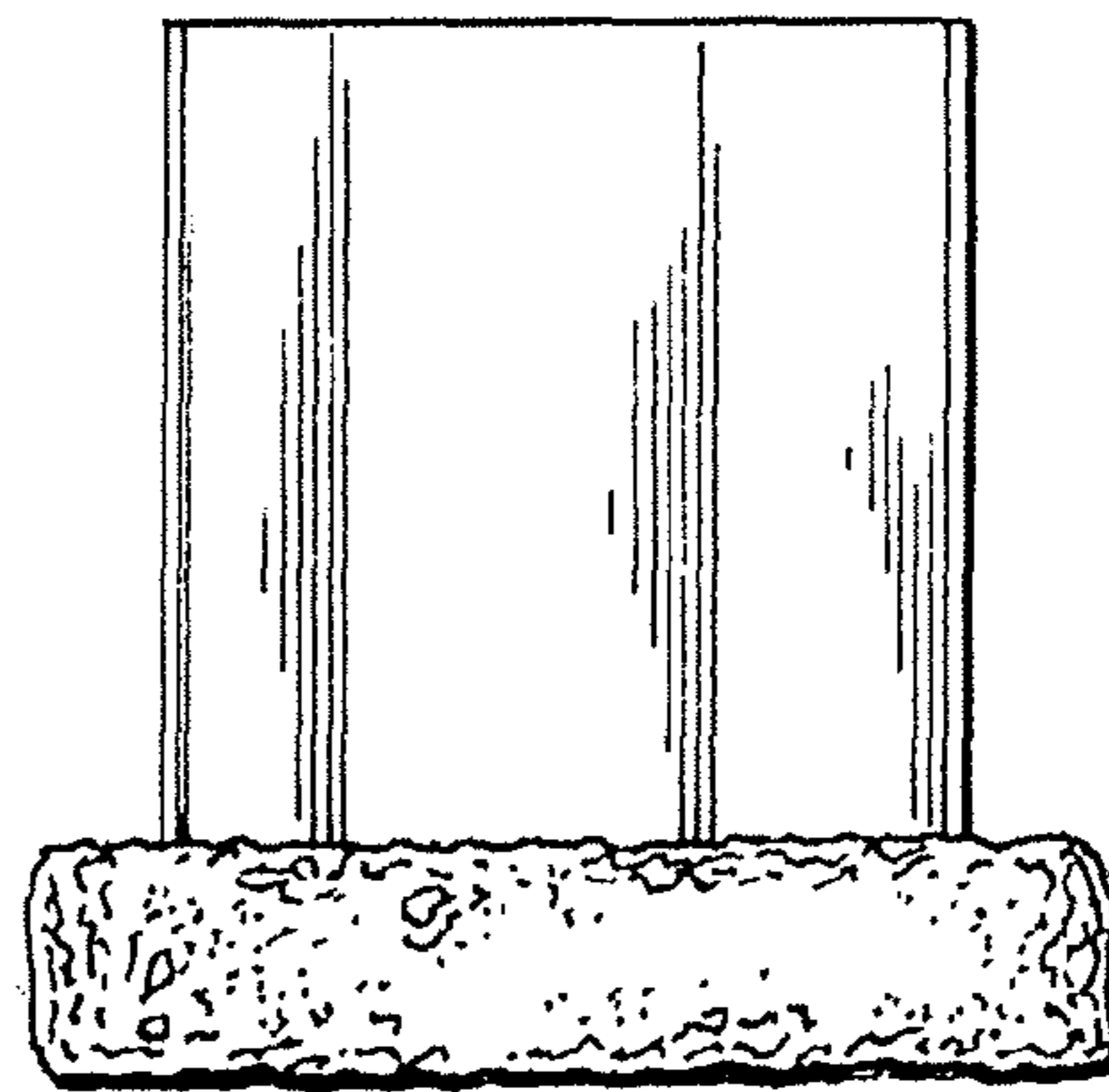


Fig. 2

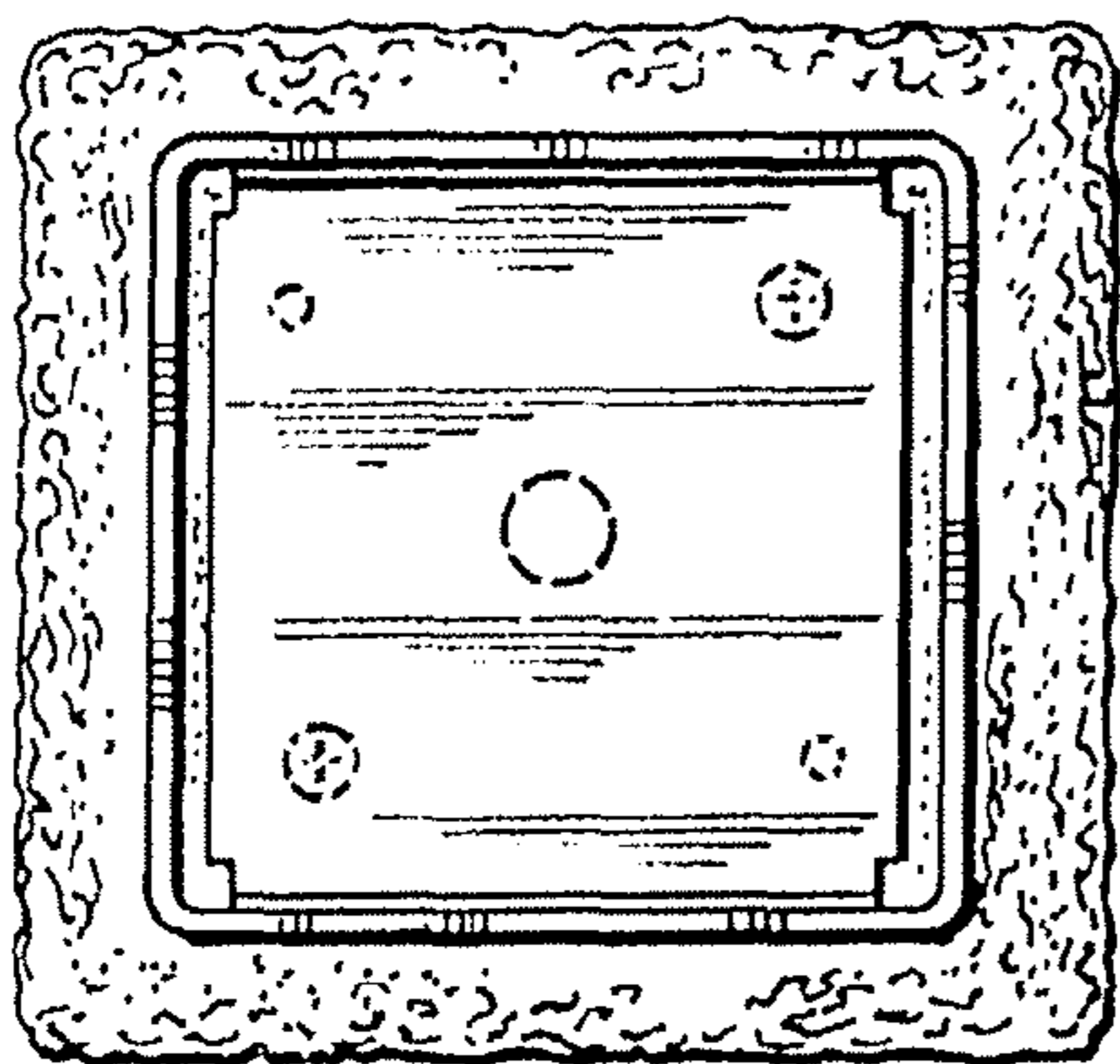


Fig. 3

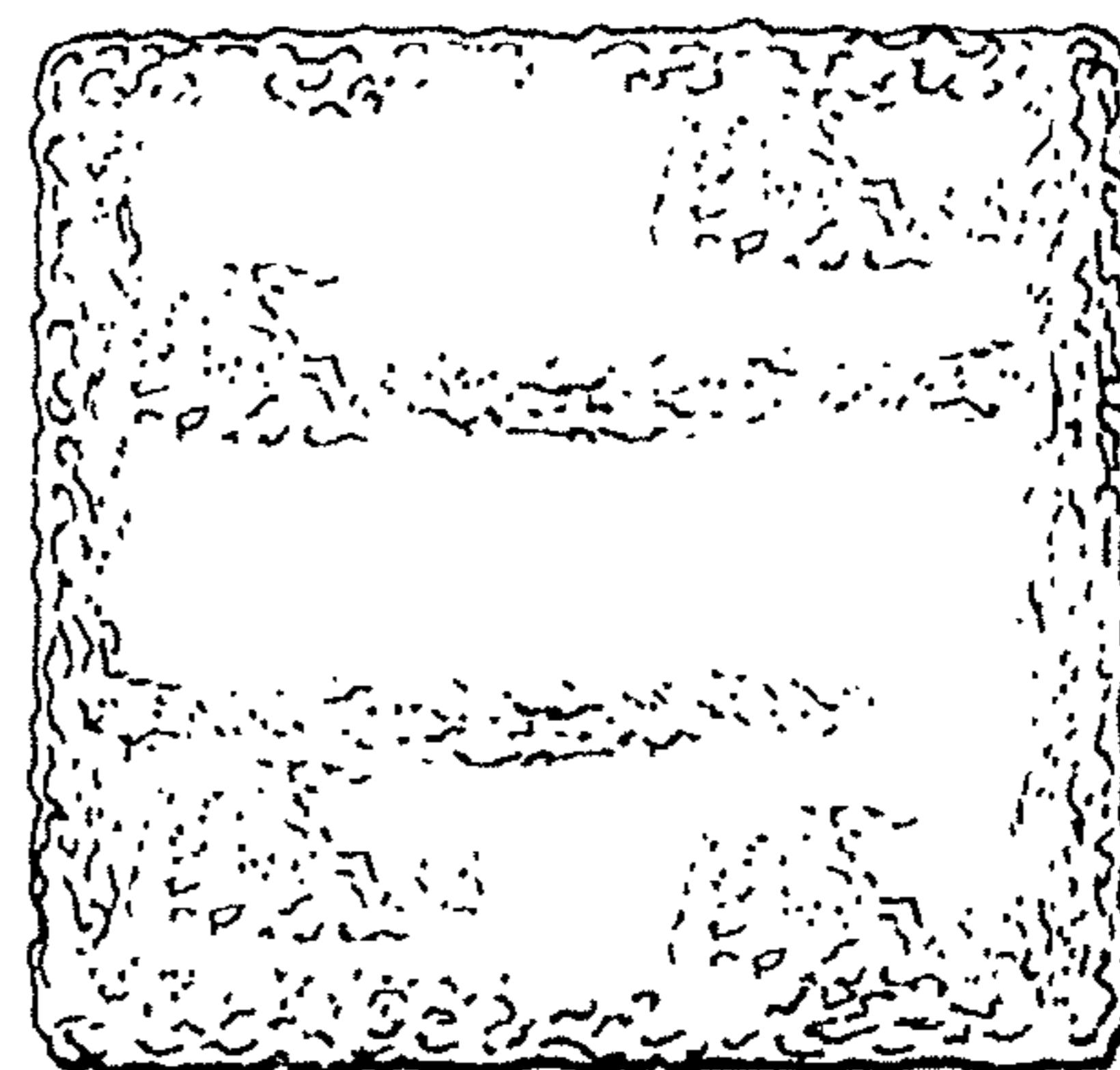


Fig. 4