



US00D703832S

(12) **United States Design Patent**
Bürgin

(10) **Patent No.:** **US D703,832 S**
(45) **Date of Patent:** **** Apr. 29, 2014**

(54) **CROWD CONTROL BARRIER II**

(71) Applicant: **Thomas Bürgin**, Lörrach (DE)

(72) Inventor: **Thomas Bürgin**, Lörrach (DE)

(73) Assignee: **Magnetic Autocontrol GmbH**, Schopfheim (DE)

(**) Term: **14 Years**

(21) Appl. No.: **29/439,323**

(22) Filed: **Dec. 10, 2012**

(30) **Foreign Application Priority Data**

Jun. 8, 2012 (EM) 002054882-0001

(51) **LOC (10) Cl.** **25-02**

(52) **U.S. Cl.**
USPC **D25/48.5**

(58) **Field of Classification Search**
USPC D25/48.5, 48.6; 49/49; 256/24, 25, 26;
404/6
See application file for complete search history.

(56) **References Cited**

U.S. PATENT DOCUMENTS

D340,290 S * 10/1993 Rossiter D25/48.5
5,364,076 A * 11/1994 Nicholls 256/22
D539,921 S * 4/2007 Williman D25/48.5
2008/0127557 A1 * 6/2008 Bongard 49/49

OTHER PUBLICATIONS

A printed page from website, dated Jul. 15, 2009 (<http://www.google.de/imgres?q=schranke+schweiz&start=224&hl...>).

A drawing prepared by the assignee, Magnetic Autocontrol GmbH, in Germany for a customer on Feb. 21, 2007.

An informational page MFS144/04.02, published by Magentic Autocontrol GmbH in Apr. 2002, that displays an older version of the invention.

A printed page from website, dated Aug. 7, 2009 (www.bahnbilder.de).

A printed page from website, dated Nov. 22, 2005 (<http://google.de/imgres?q=schranke+gitterhl=de&safe...>).

* cited by examiner

Primary Examiner — Doris Clark

(74) *Attorney, Agent, or Firm* — Horst M. Kasper

(57) **CLAIM**

The ornamental design for a crowd control barrier II, as shown and described.

DESCRIPTION

FIG. 1 is a front elevational view of the design of a crowd control barrier II;

FIG. 2 is a rear elevational view thereof;

FIG. 3 is a left side elevational view thereof;

FIG. 4 is a right side elevational view thereof;

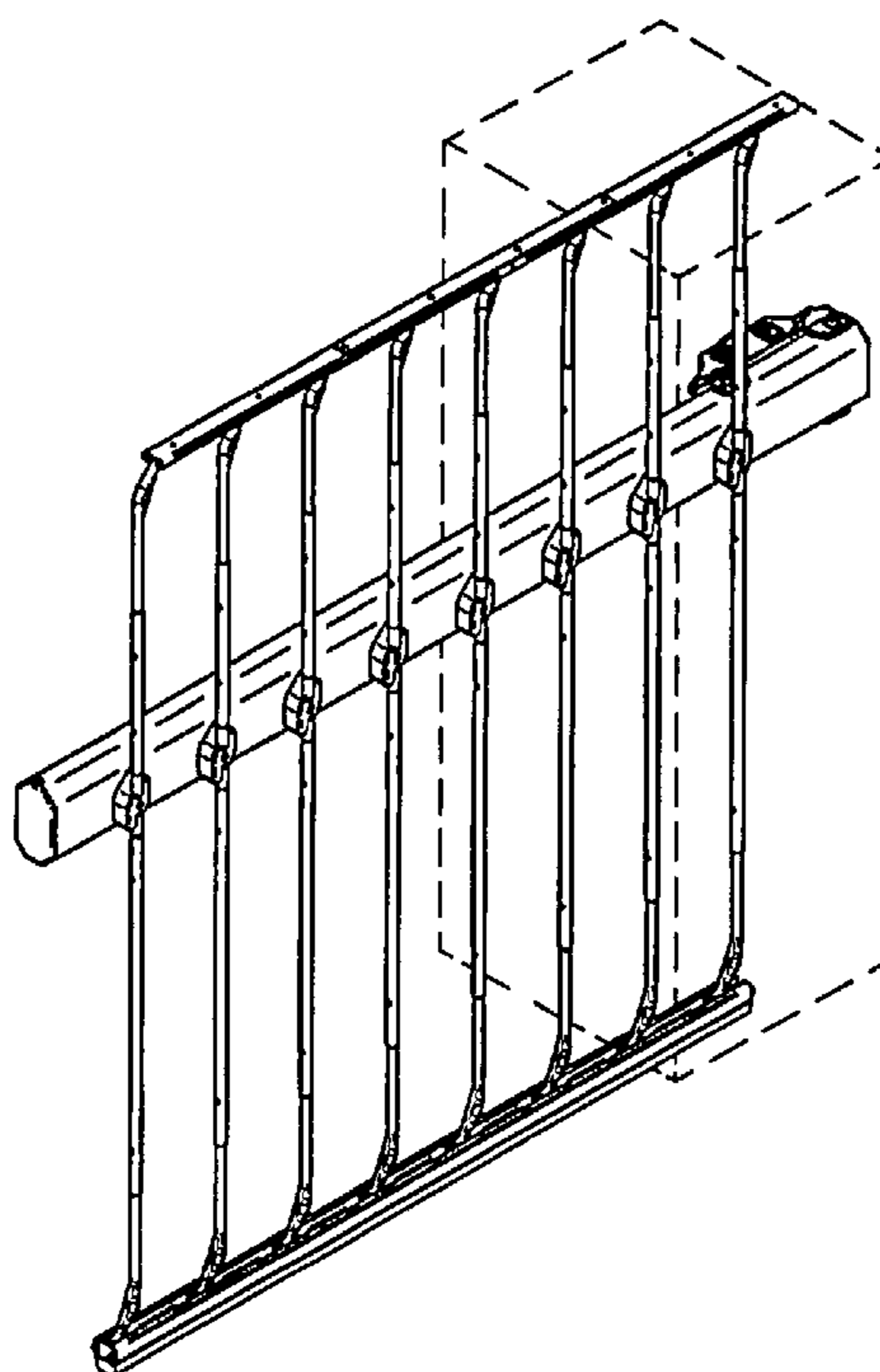
FIG. 5 is a top plain view thereof;

FIG. 6 is a bottom plain view thereof; and,

FIG. 7 is a perspective view thereof.

The broken lines are for illustrative purposes only and form no part of the claimed design.

1 Claim, 7 Drawing Sheets



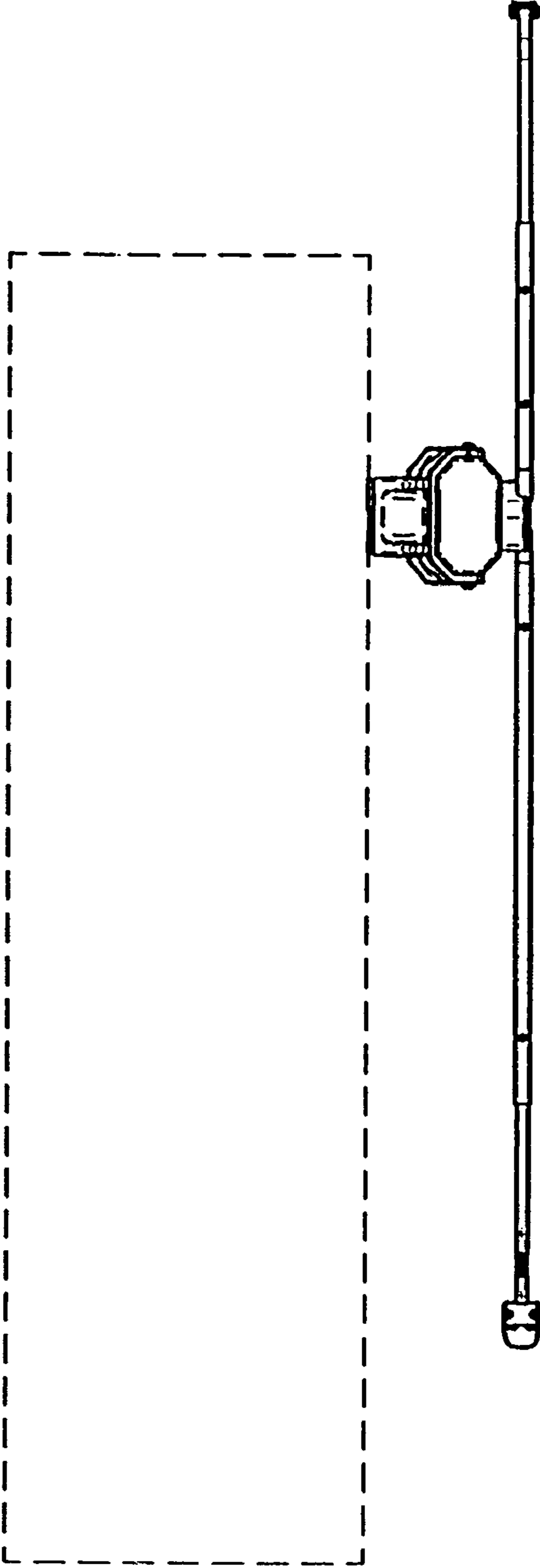


Fig. 1

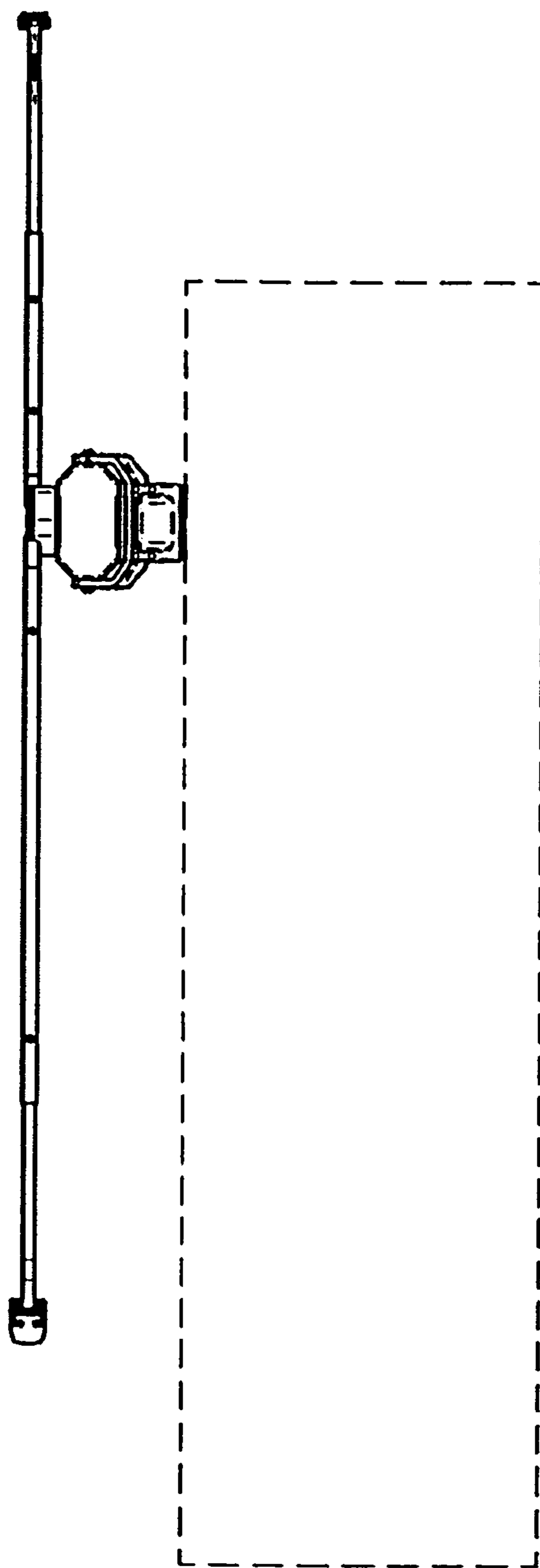


Fig. 2

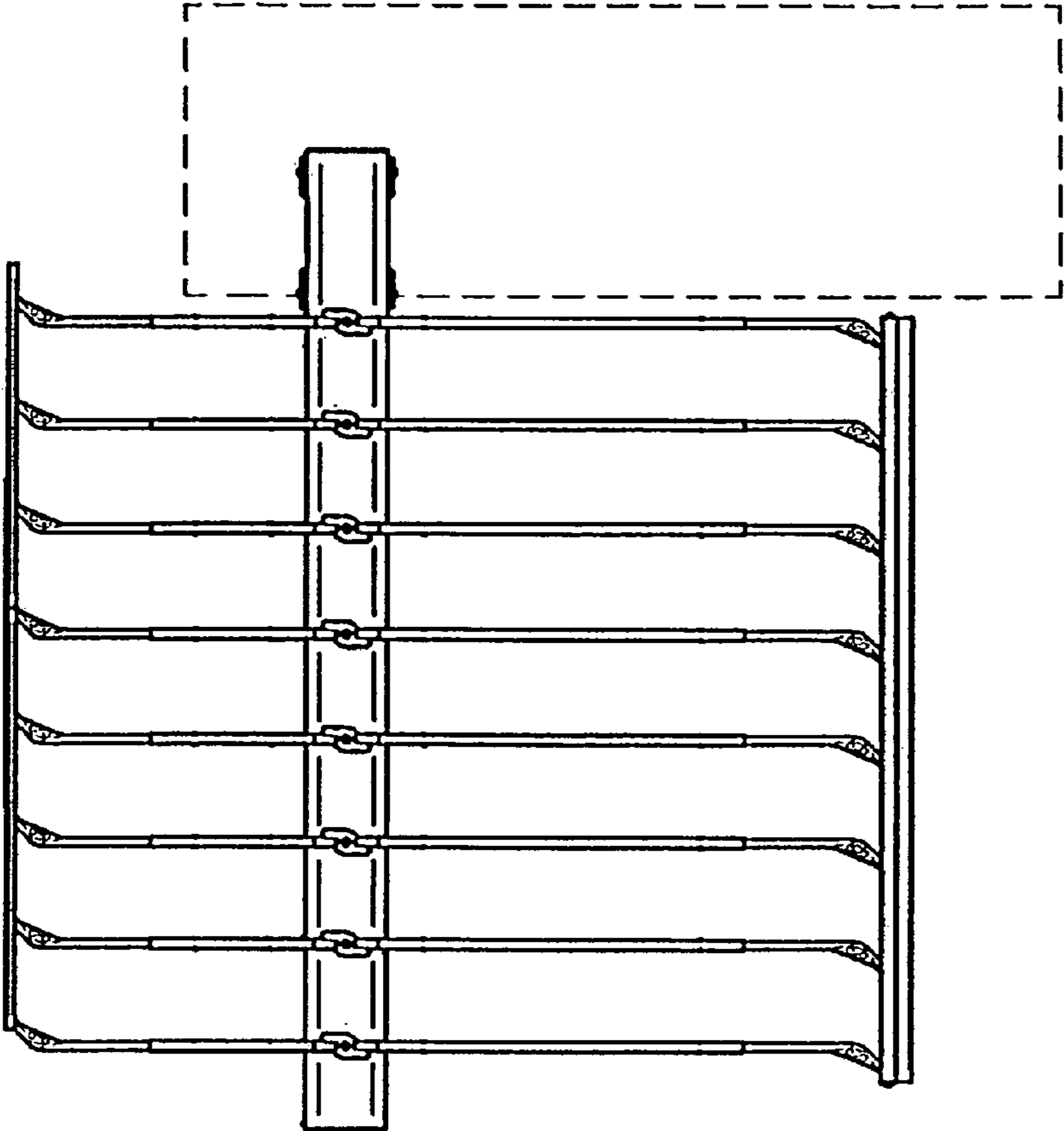


Fig. 3

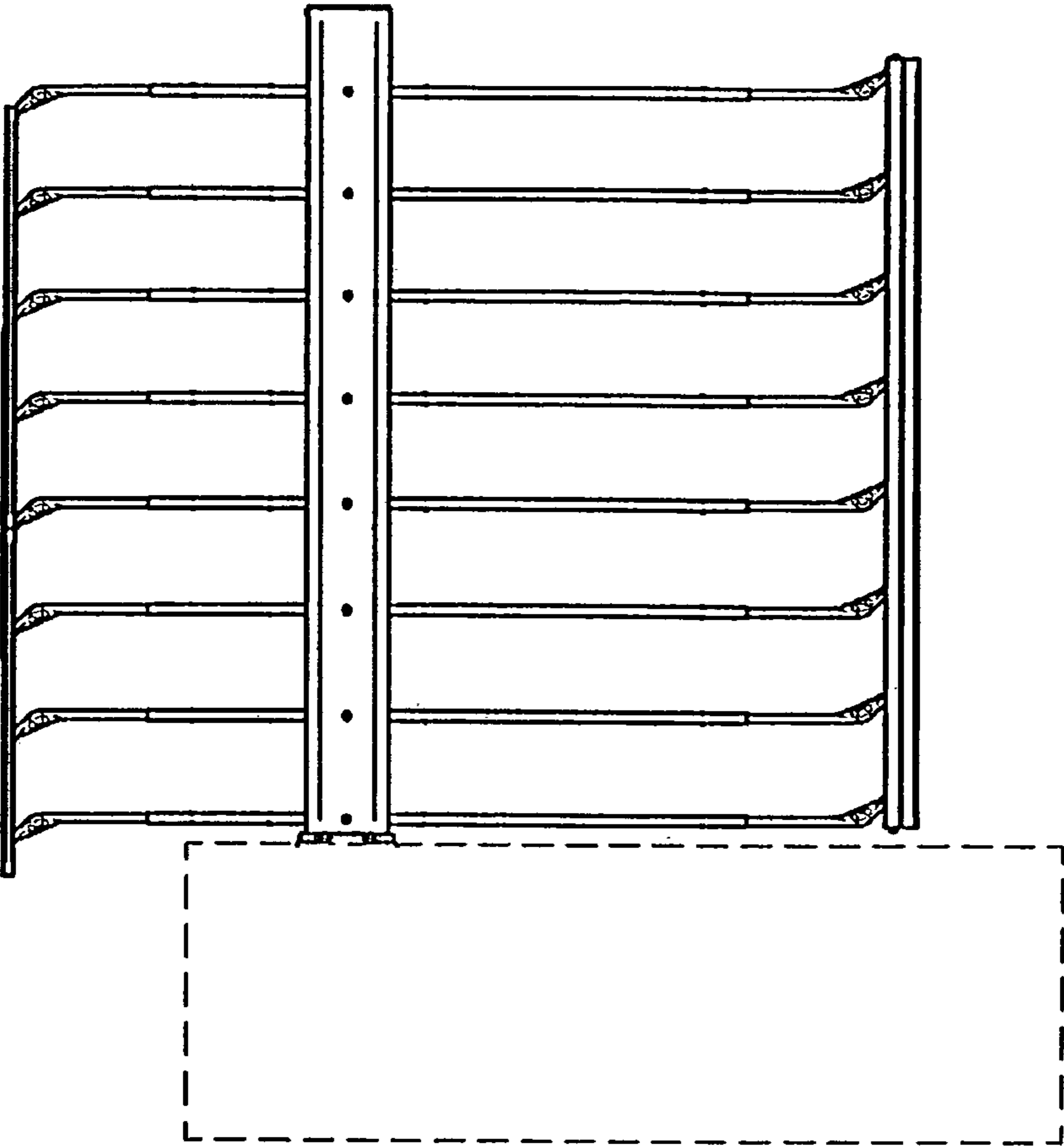


Fig. 4

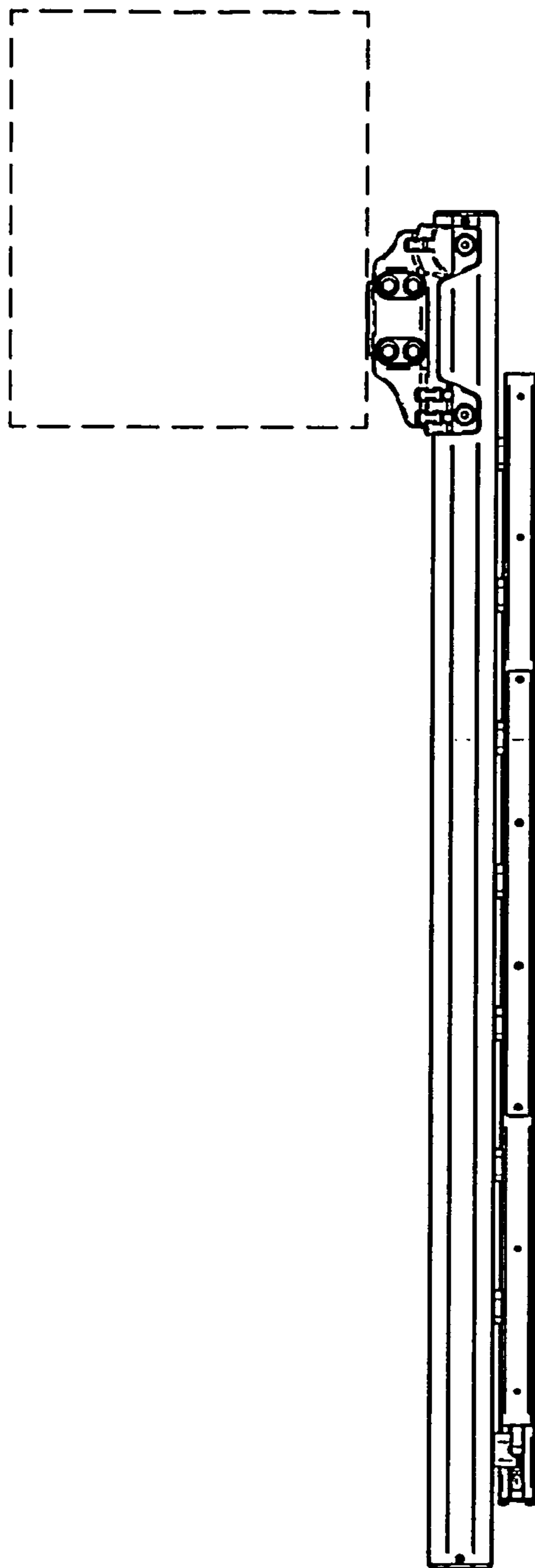


Fig. 5

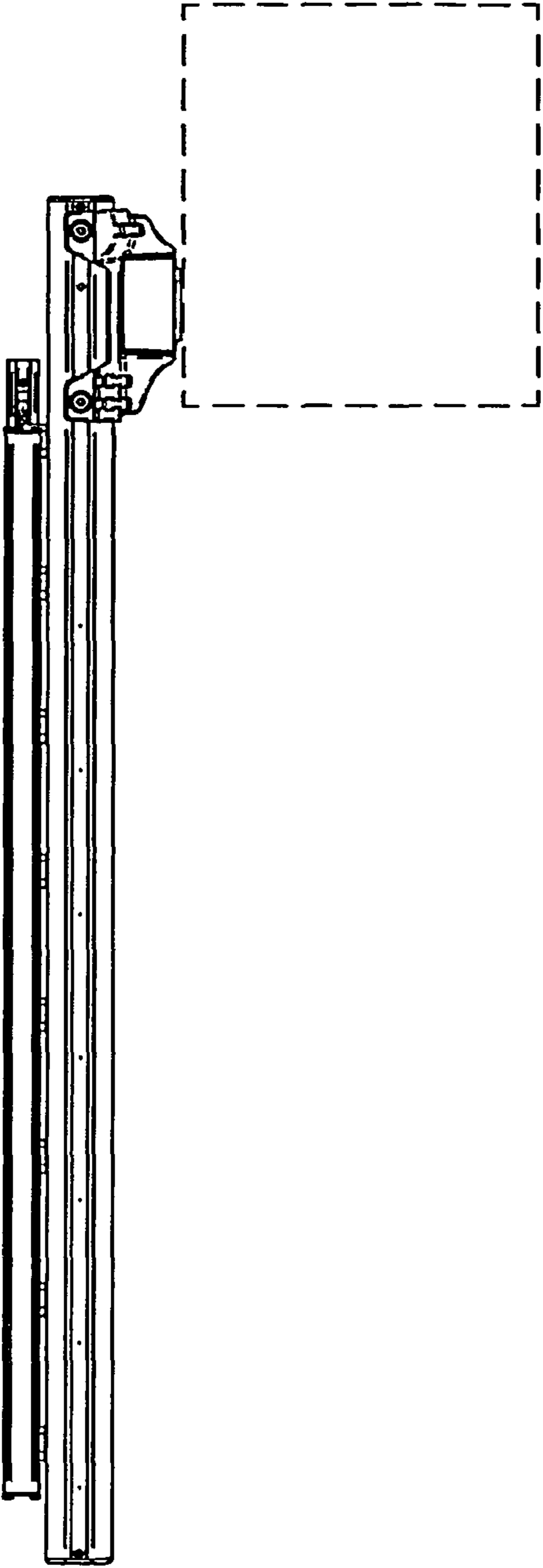


Fig. 6

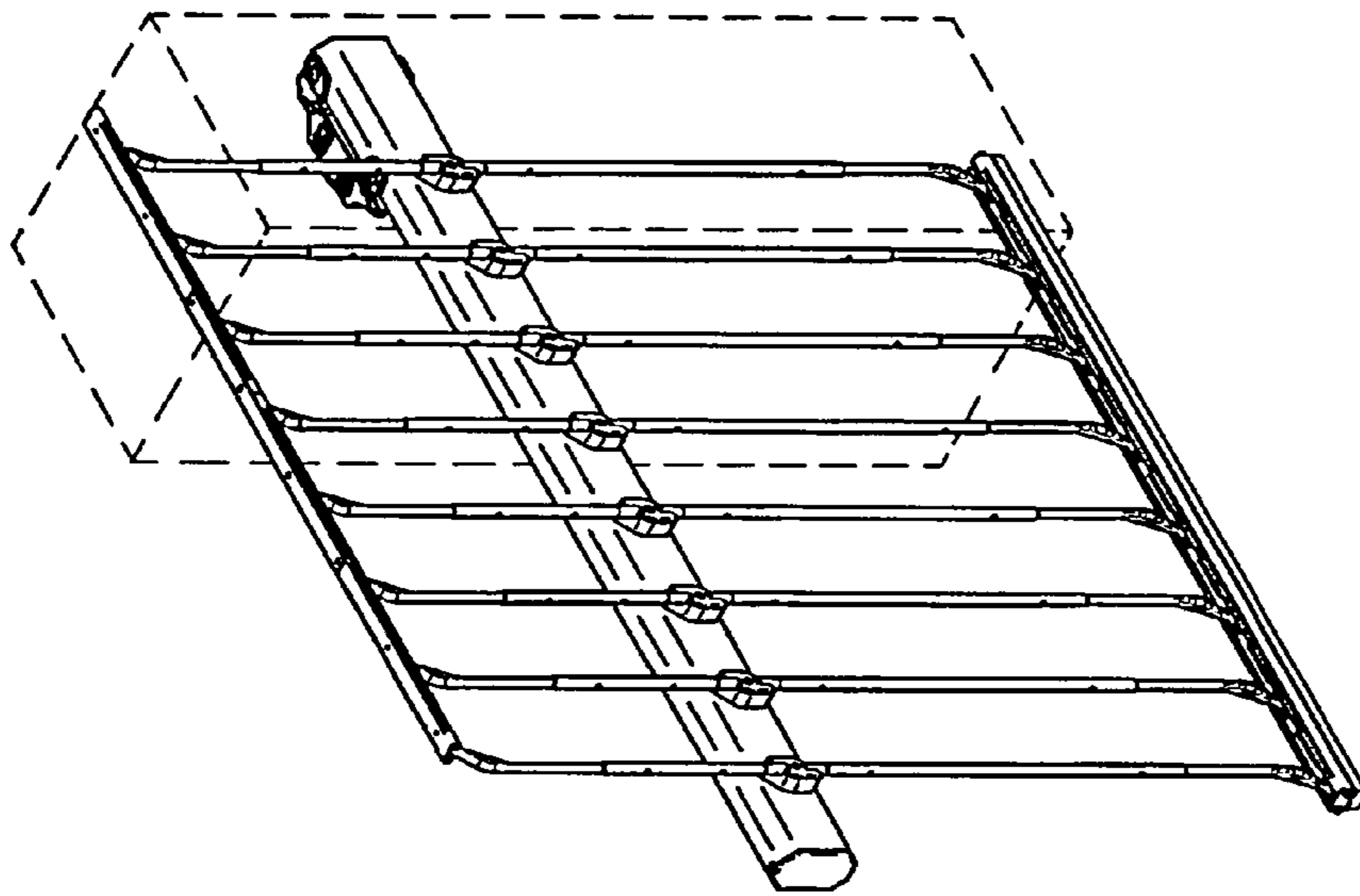


Fig. 7